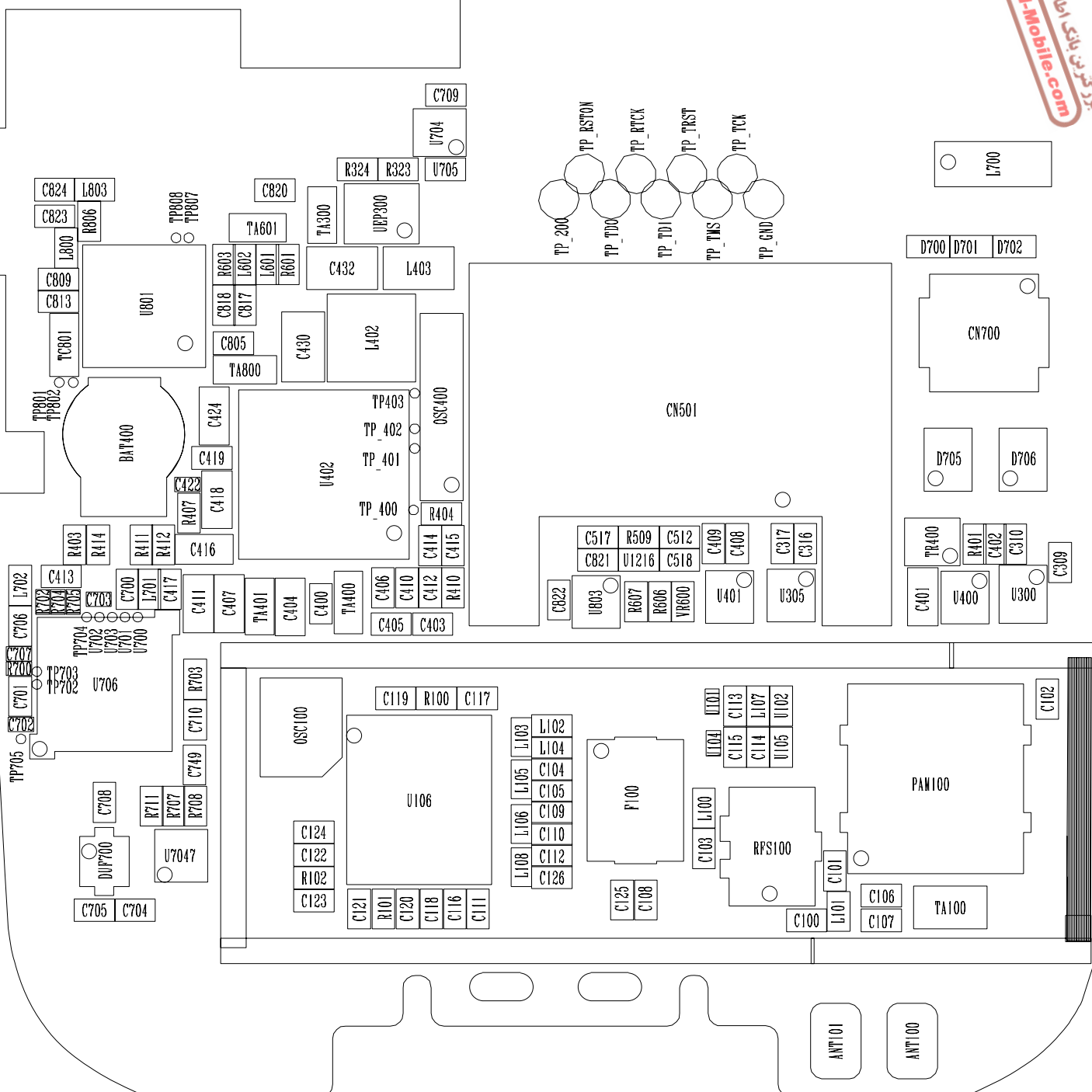
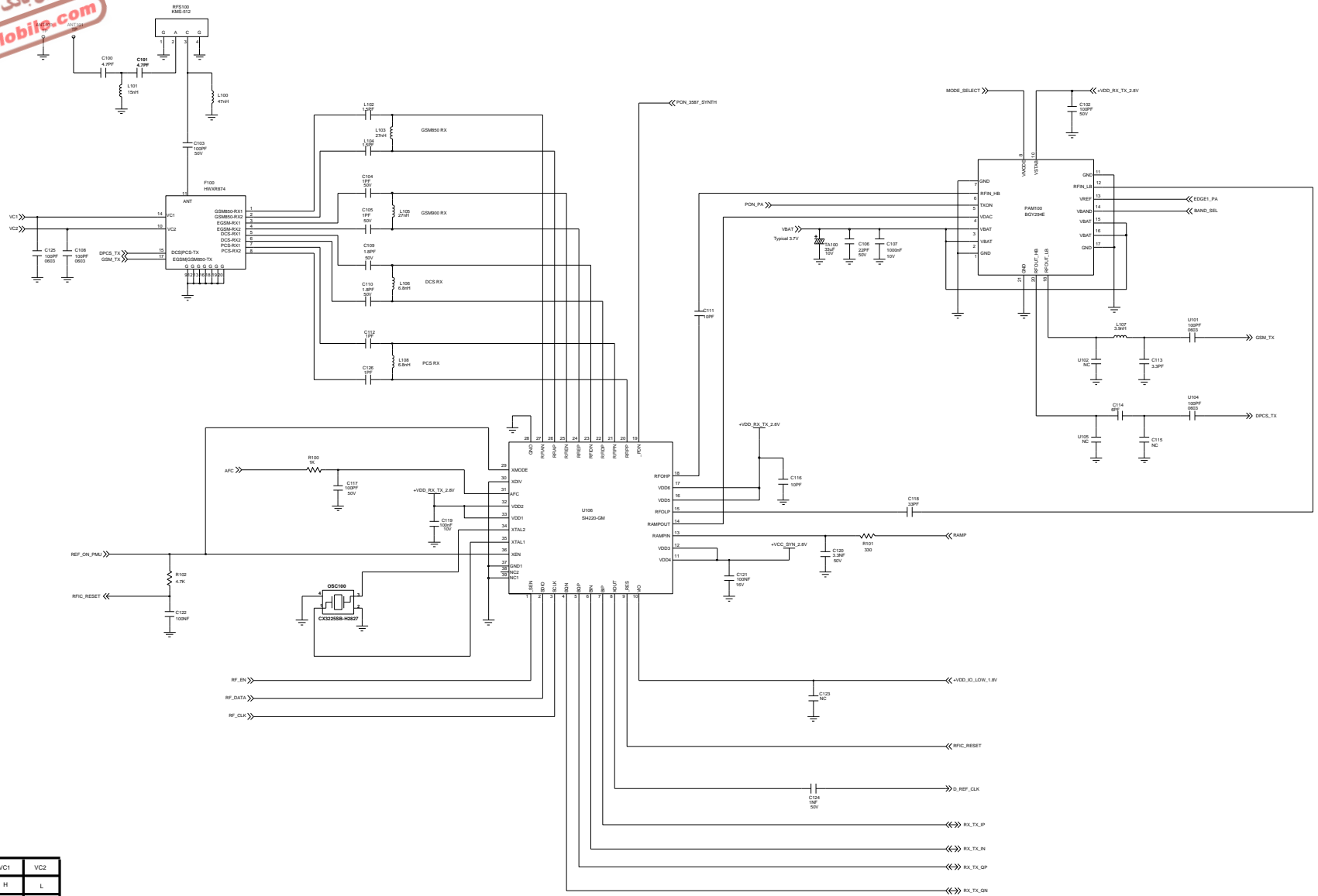
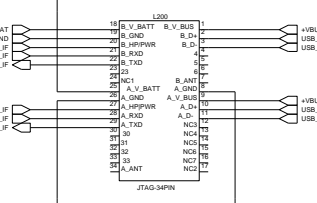
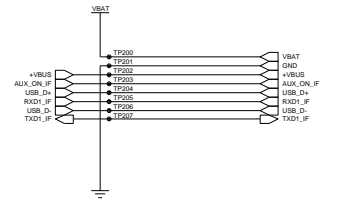
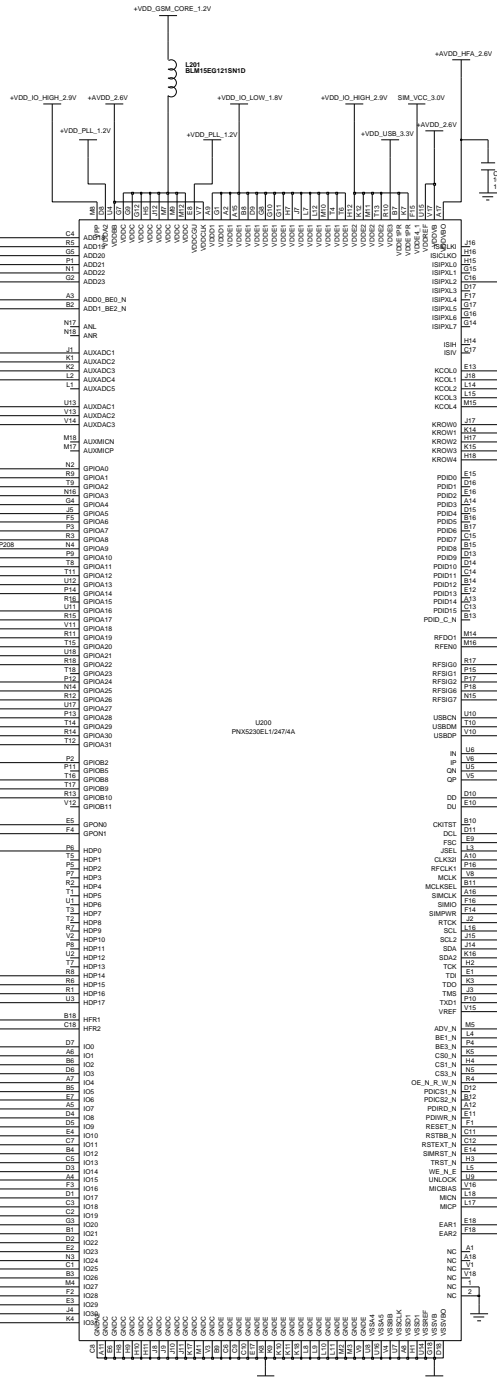
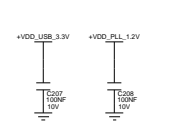
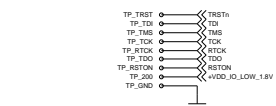
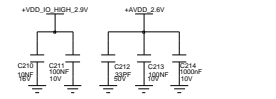


- TP204
- TP206
- TP202
- TP207
- TP203
- TP205
- TP200
- TP201

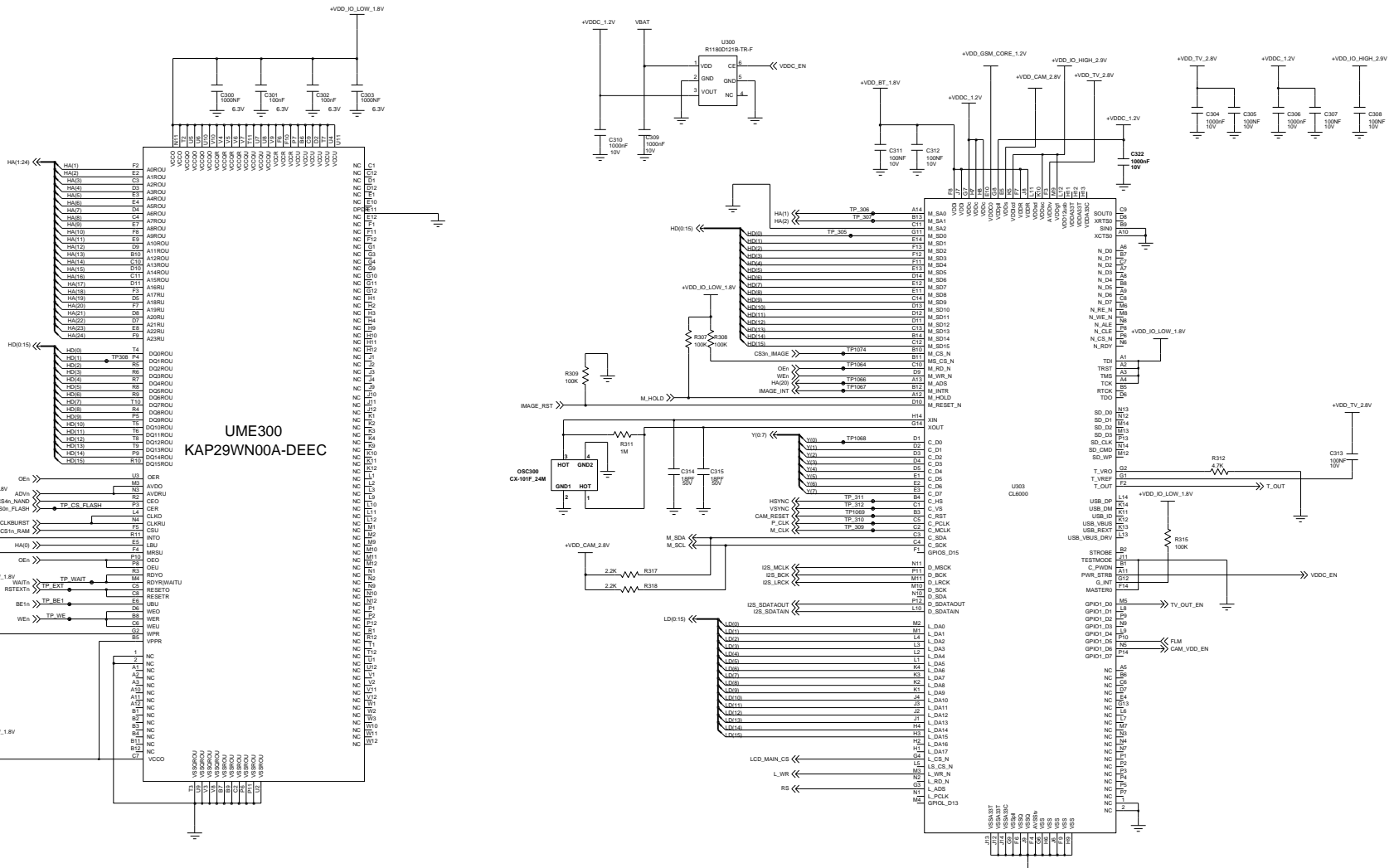




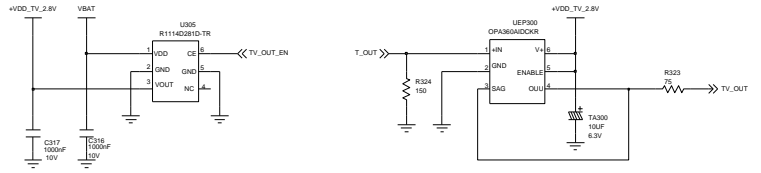
	VC1	VC2
Tx(GSM1900)	H	L
Tx(DCS1800/1900)	L	H
RX	L	L

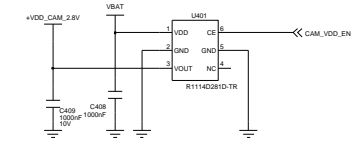
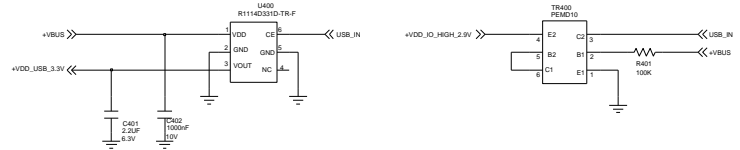
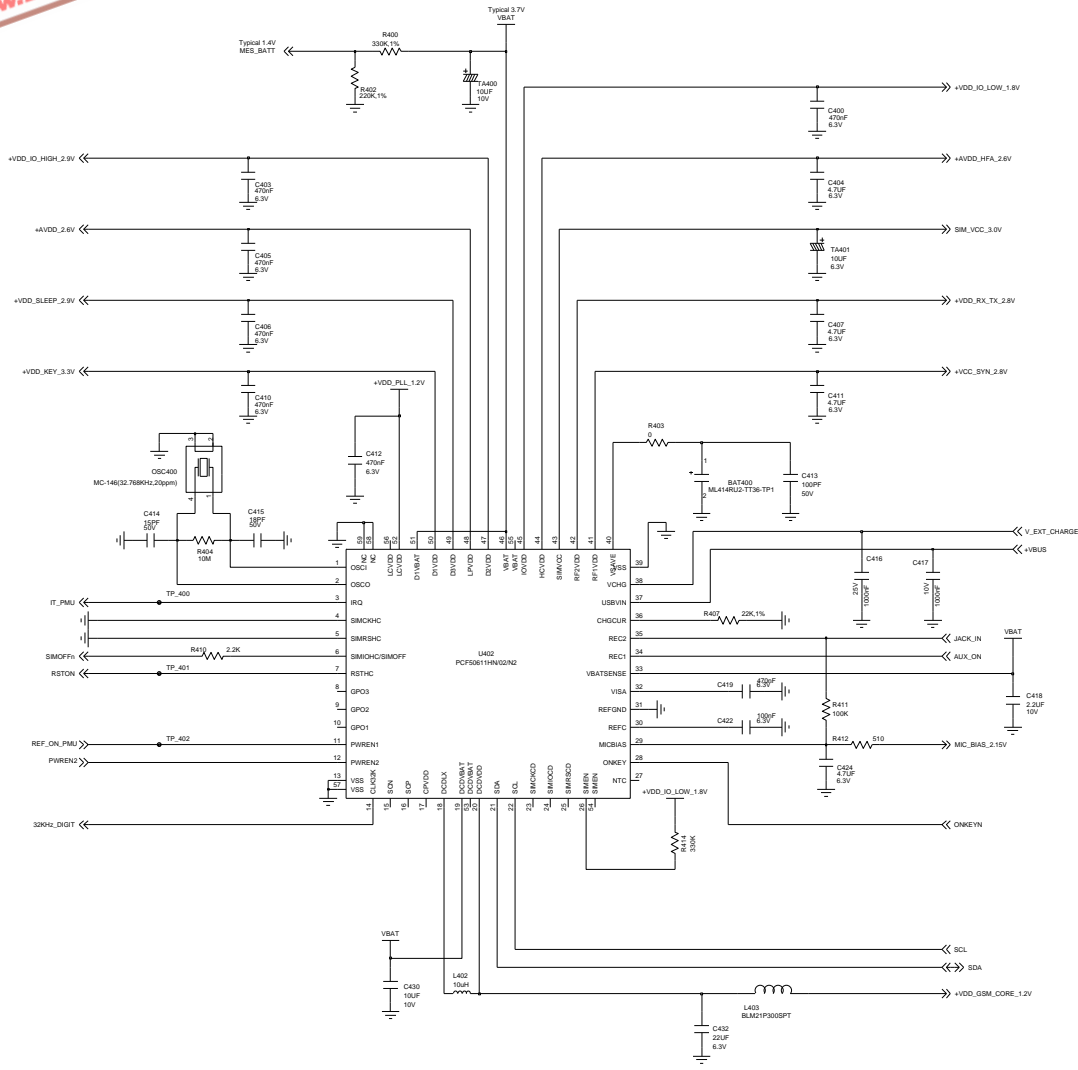


J-TAG 34 PINS

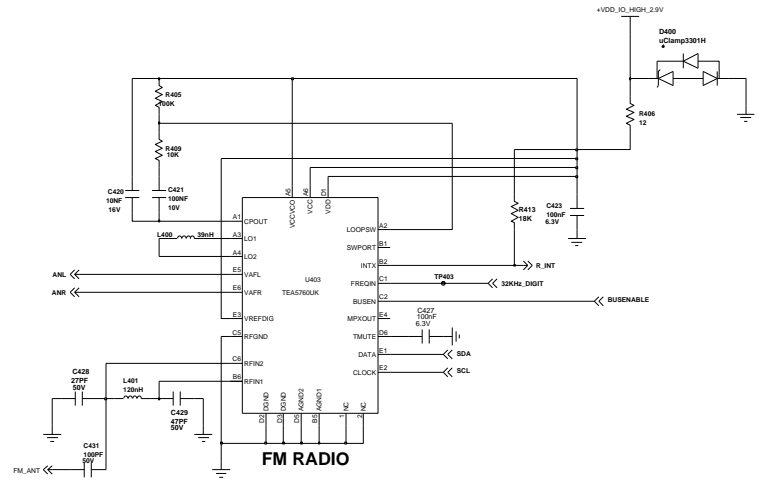


MEMORY
(256M NOR x 512M NAND x 256M UtiRAM)



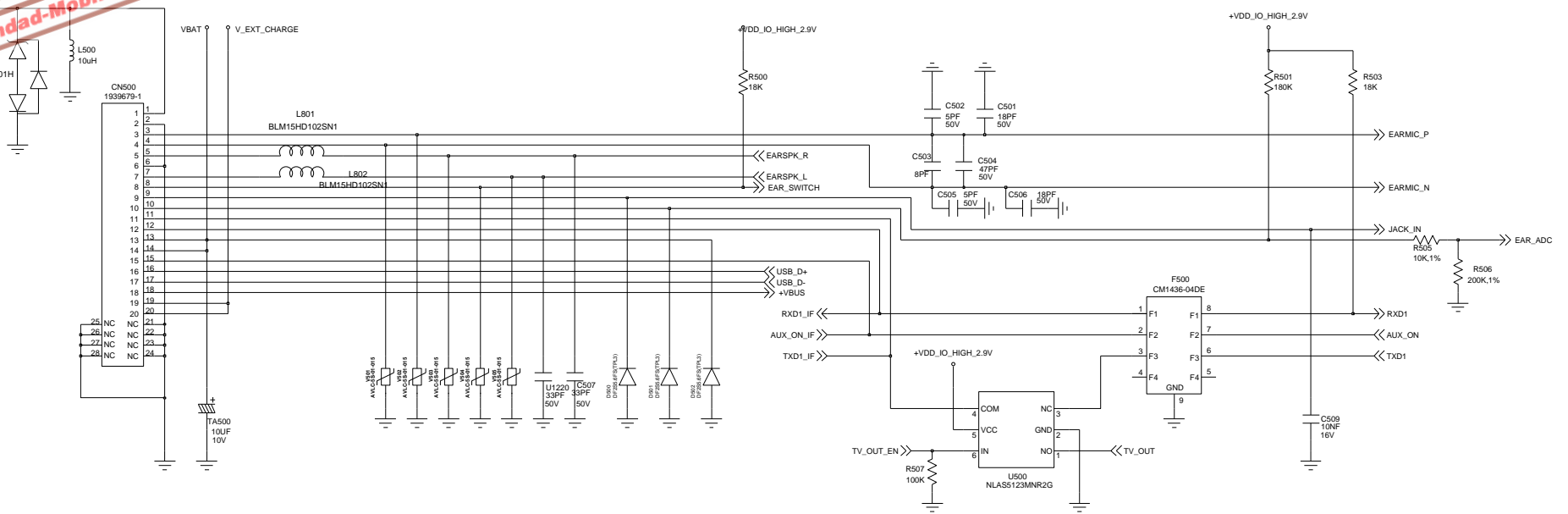


LDO

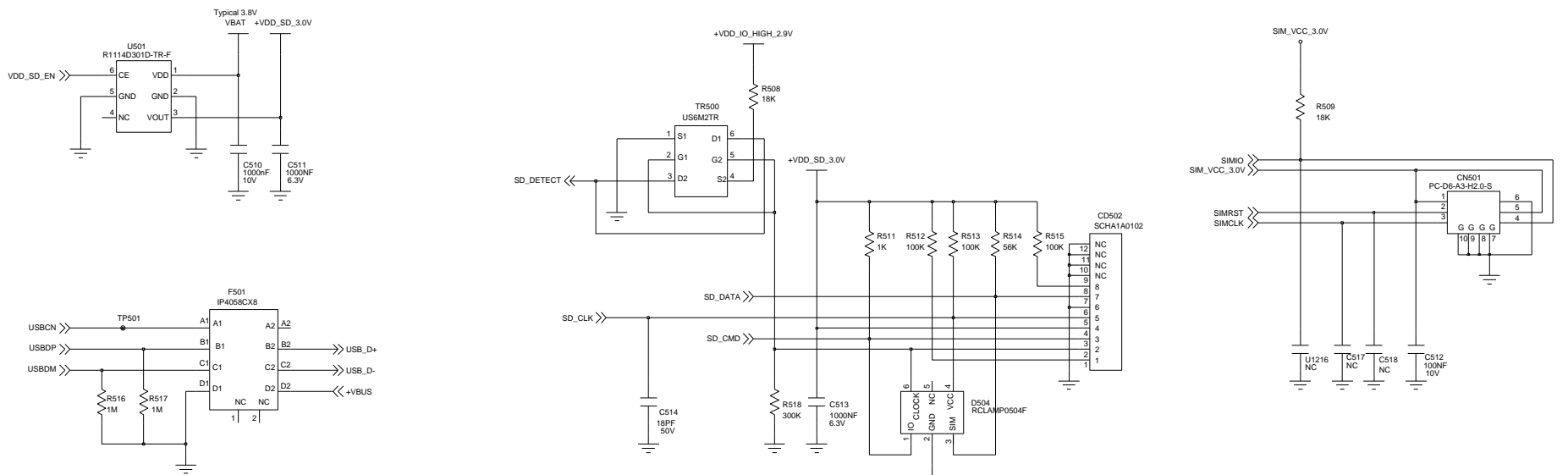


FM RADIO

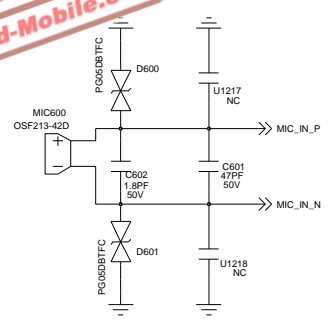
Digital External Interface



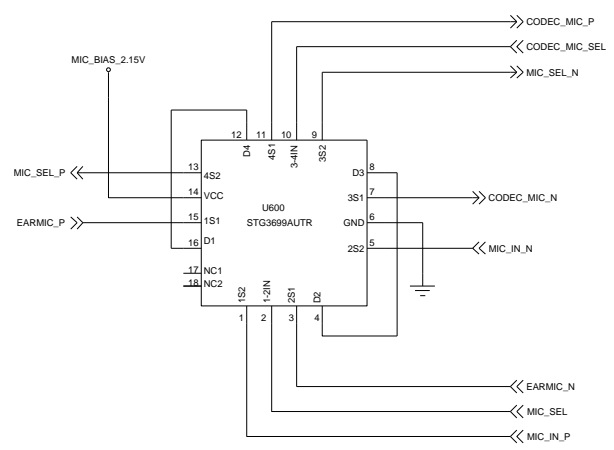
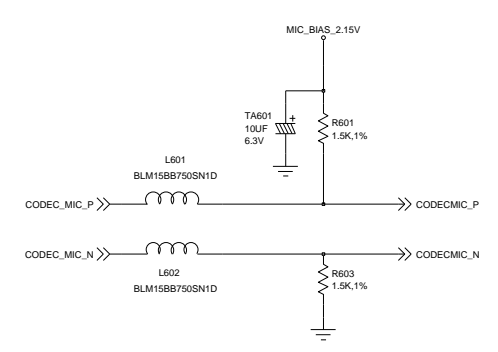
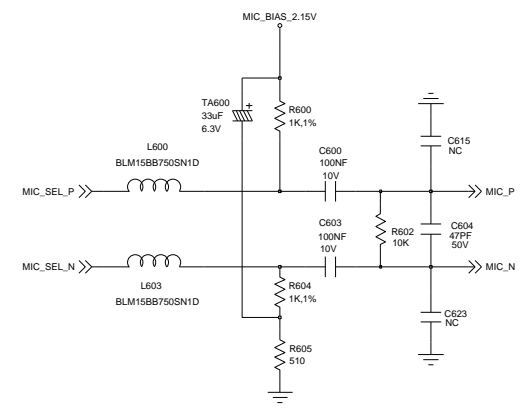
T-FLASH



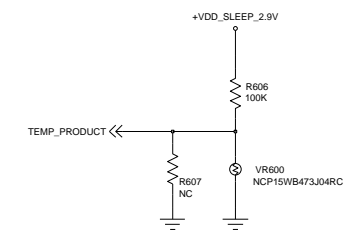
Title		
IF Connector & Charging Schematic		
Size	Document Number	Rev 0.9
A3	SAMSUNG/BLACKCARBON_VE/IF	
Date:	2007.03.07	Sheet 5 of 8



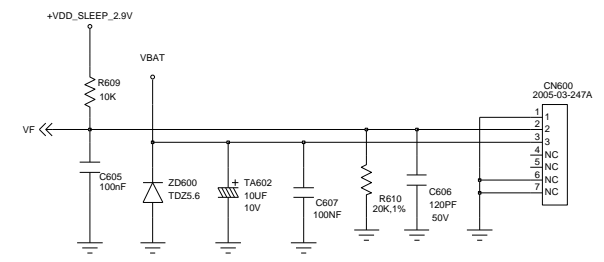
MICROPHONE

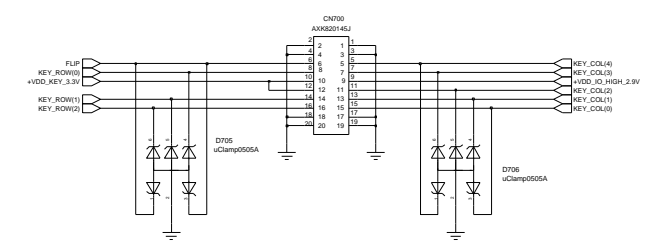
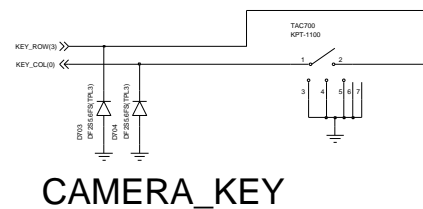
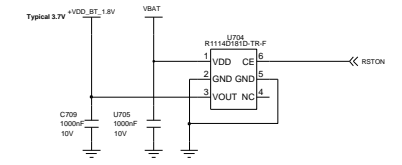
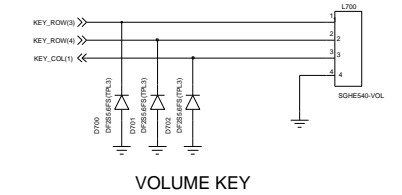
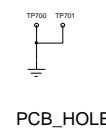
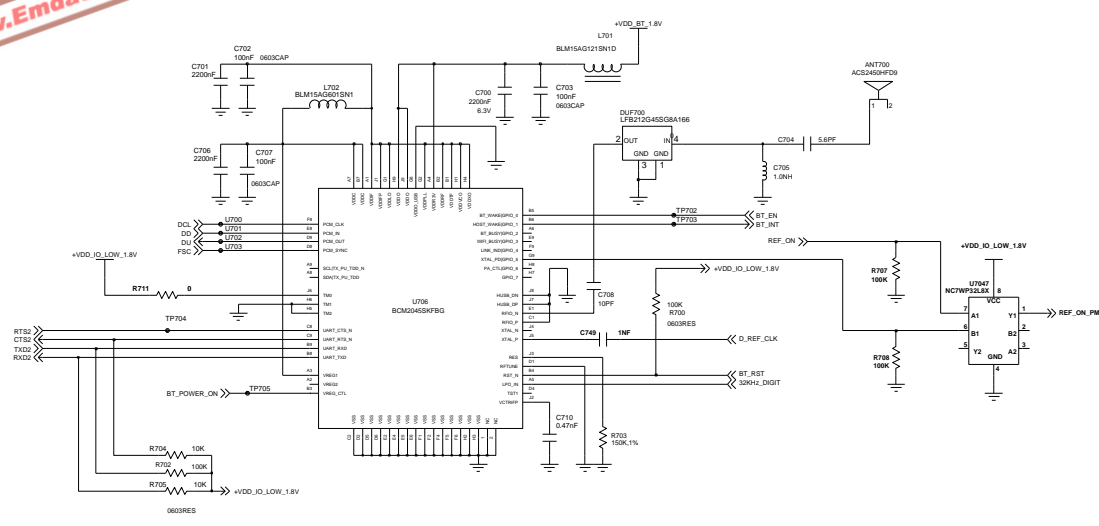


MIC_SEL	CODEC_MIC_SEL
H	EARPHONE MIC
L	MAIN MIC
H	CODEC INPUT
L	MAIN CHIP INPUT

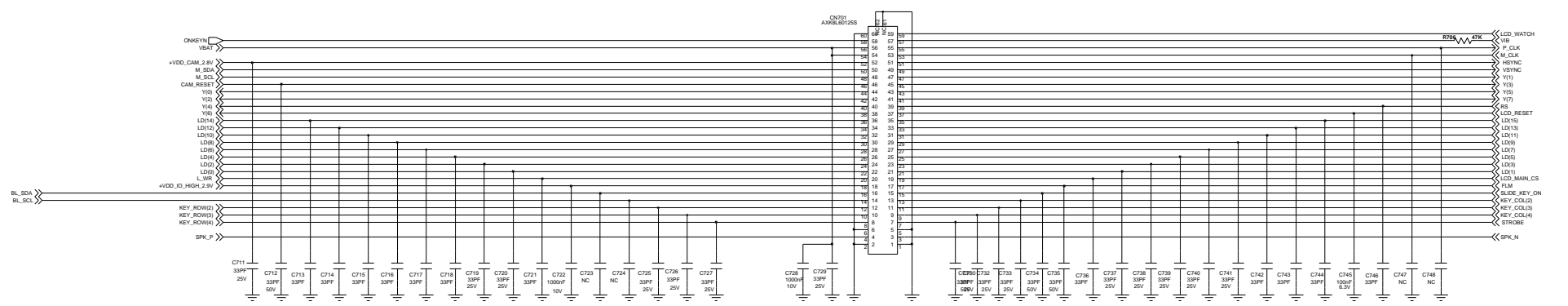


THERMISTER

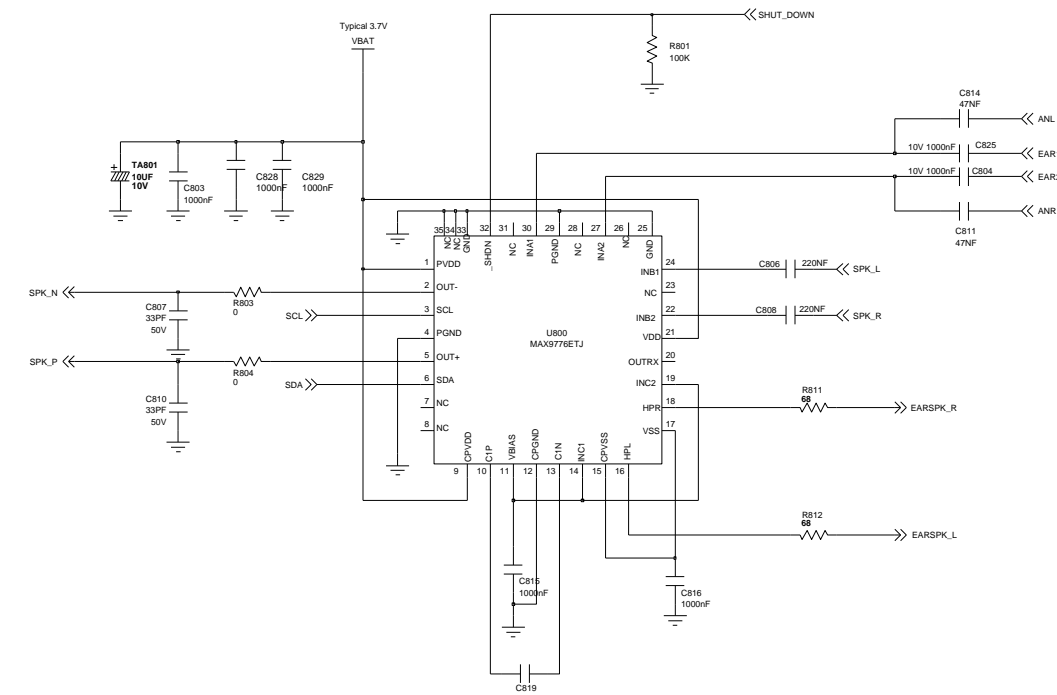
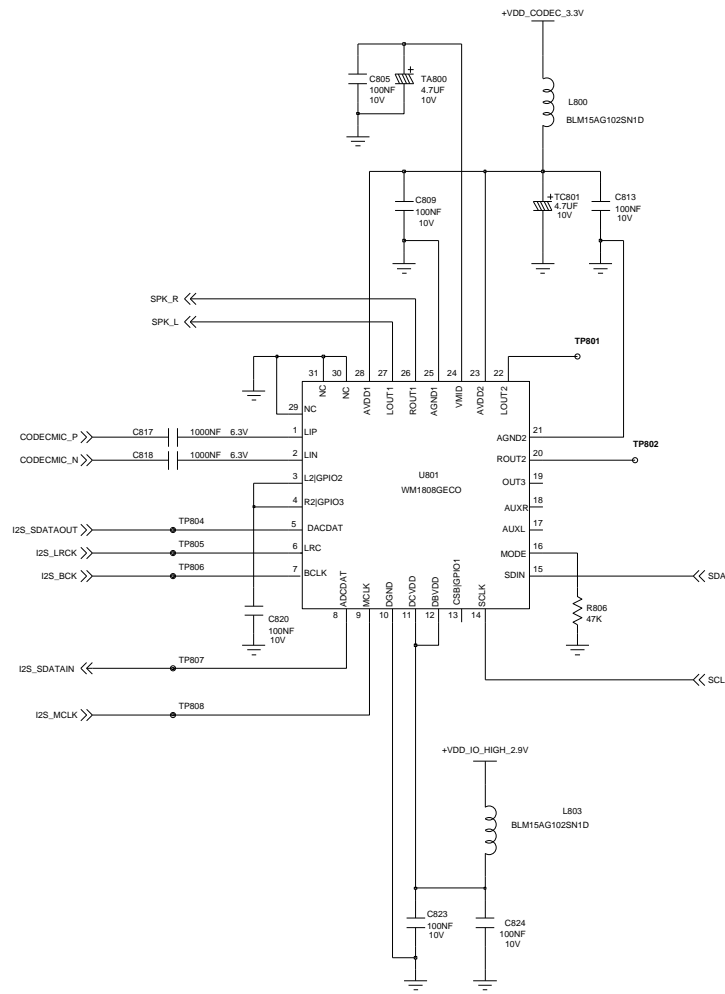




KEY_CONNECTOR



LCD_CONNECTOR



AUDIO AMP

