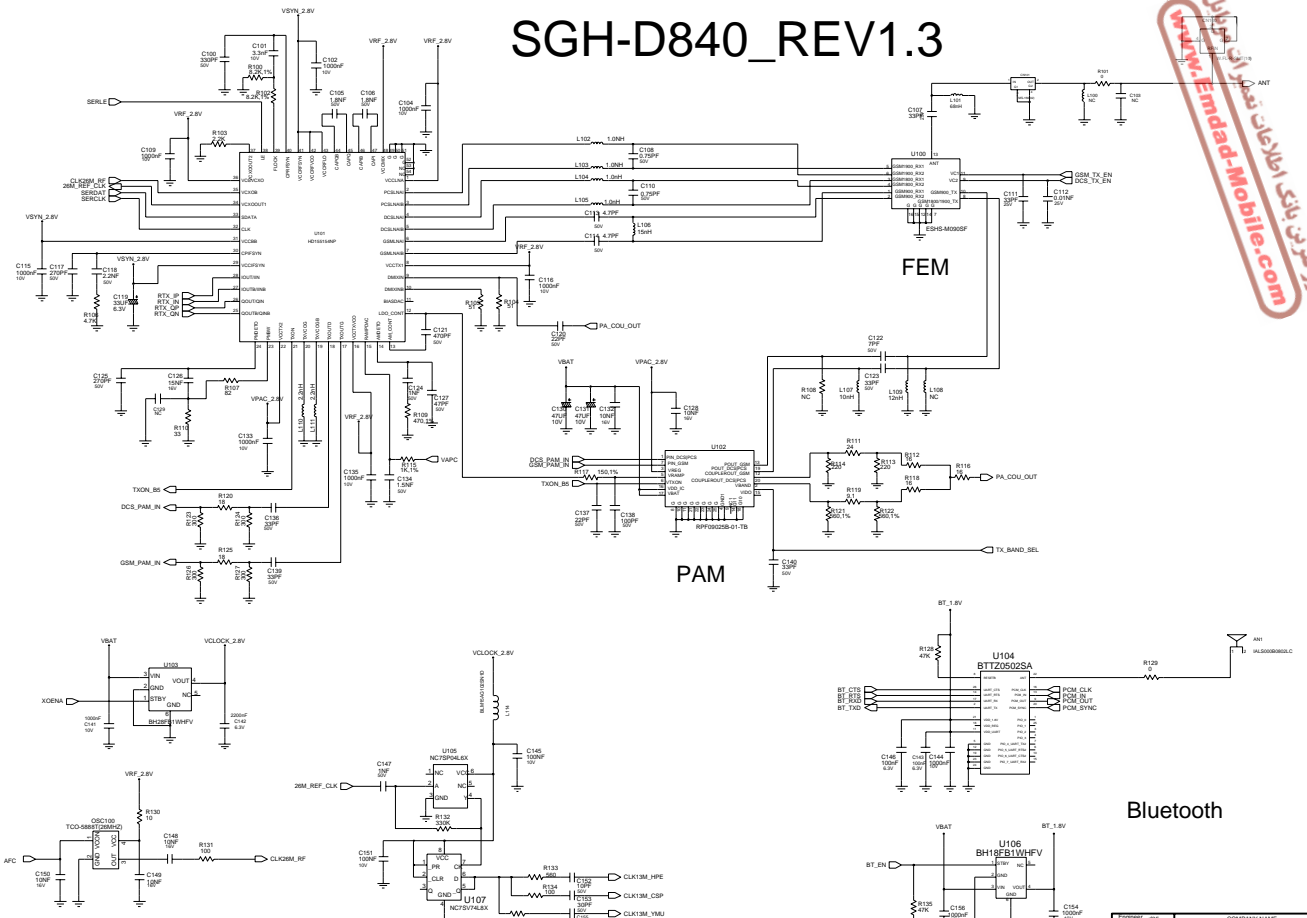


SGH-D840_REV1.3

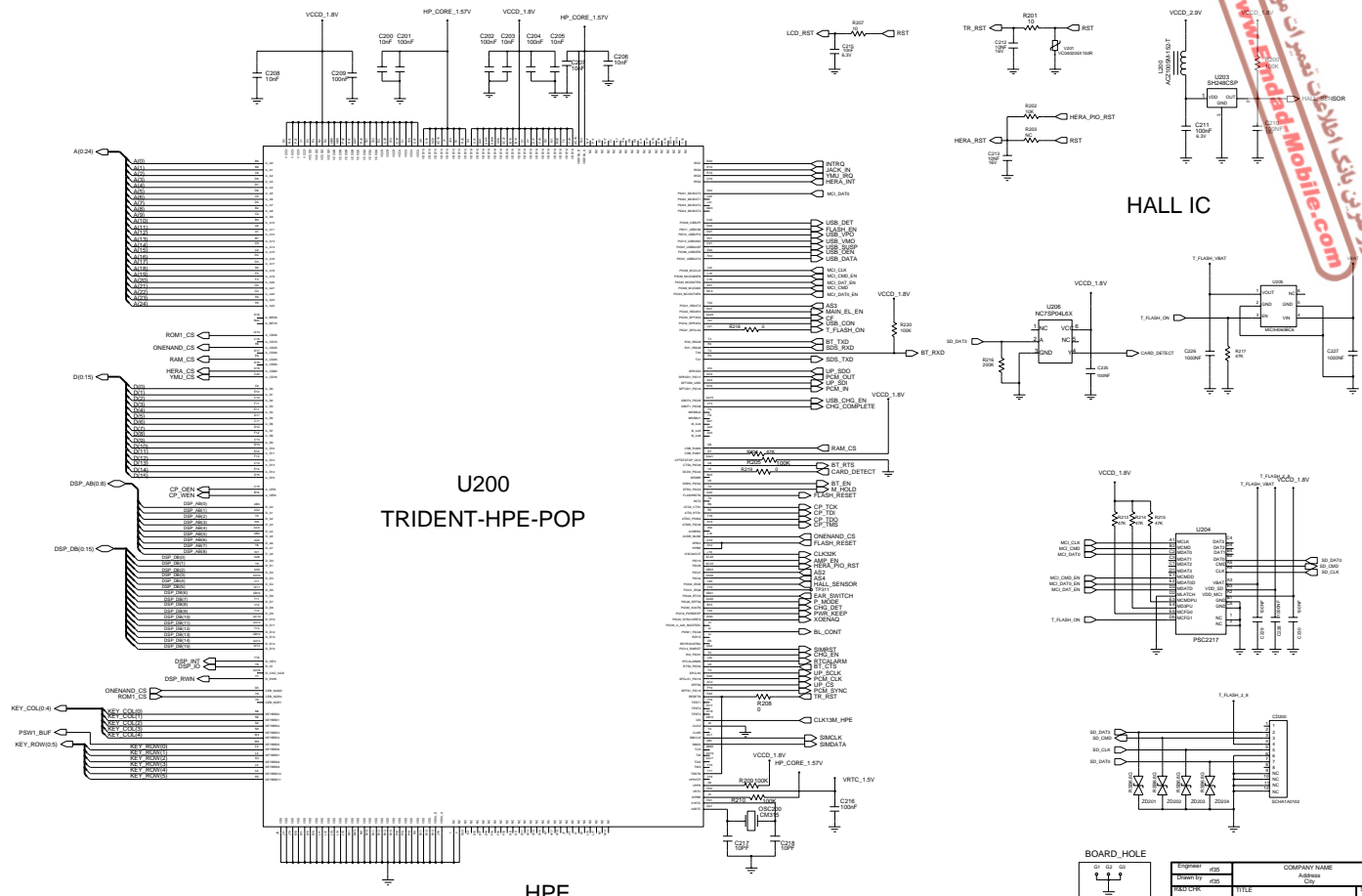
مکتوبیون بانکى اطلاعاتى مکتوبیون بانکى
 Embedded-Mobile.com



TCXO CLK

Bluetooth

Engineer	404	COMPANY NAME	
Drawn by	404	Address	
Rev	001	City	
DATE	08/08/2007	PROJECT NAME	SGH-D900_REV1.3
Checked by	404	PROJECT NO	
DATE	08/08/2007	Sheet	1 of 5



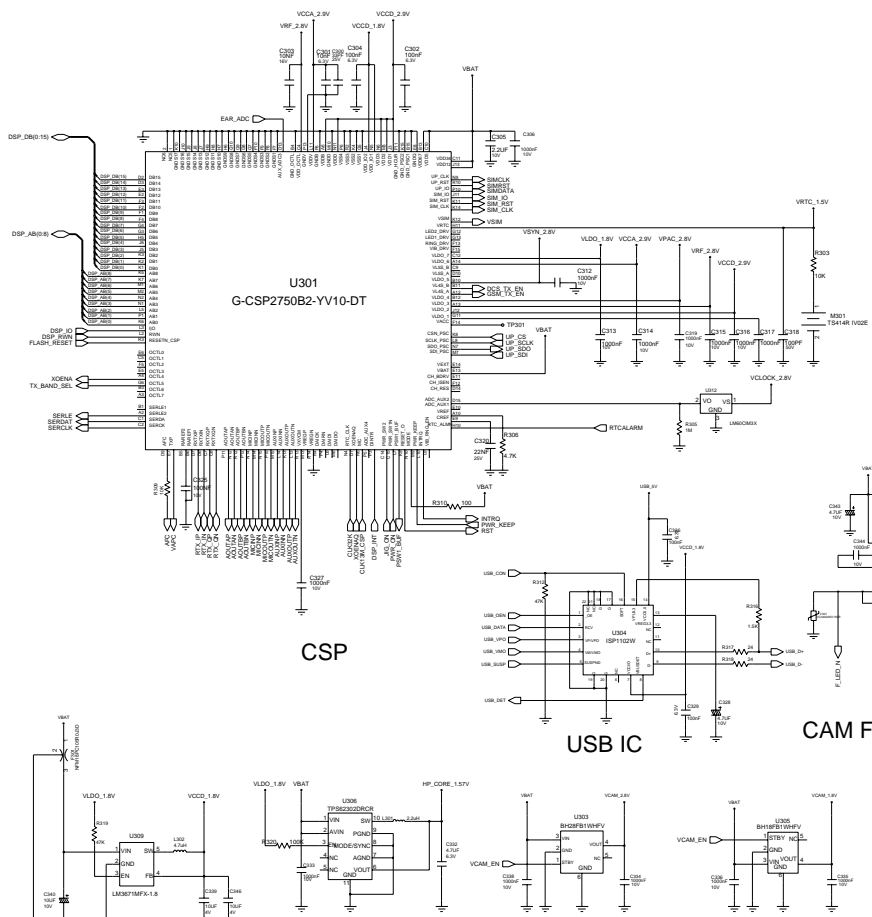
U200
TRIDENT-HPE-POP

HPE

HALL IC



Engineer	GSB	COMPANY NAME	
Drawn by	GSB	Address	
Checkd by			
Revise by			
Revise Date			
SGH-D900_REV1.3			
Checked by		Drawing Number	
DATE		Sheet	2 of 5



U301
G-CSP2750B2-YY10-DT

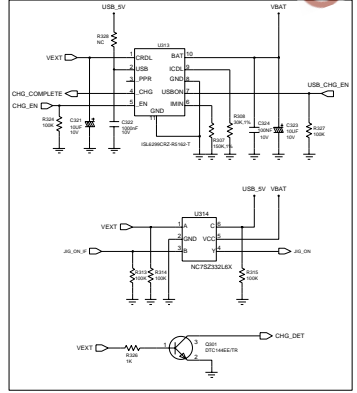
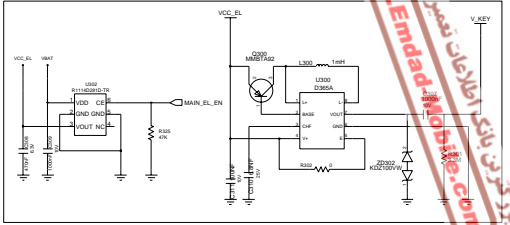
CSP

USB IC

CAM FLASH DRIVER

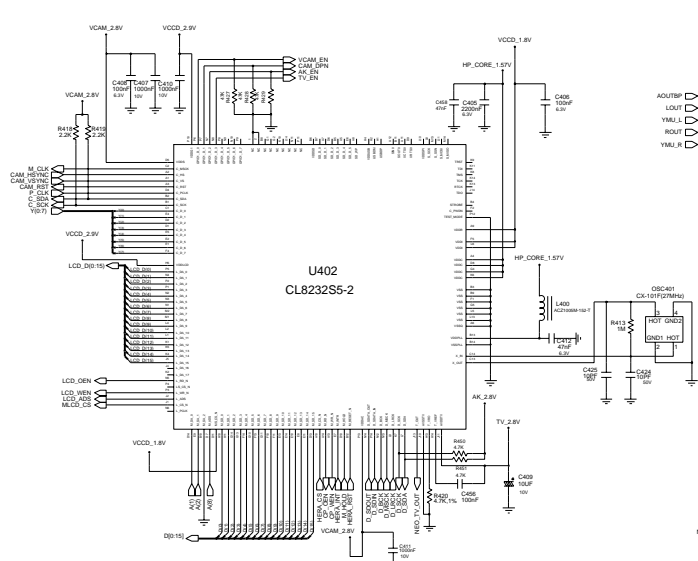
CHARGER IC

KEY EL DRIVER

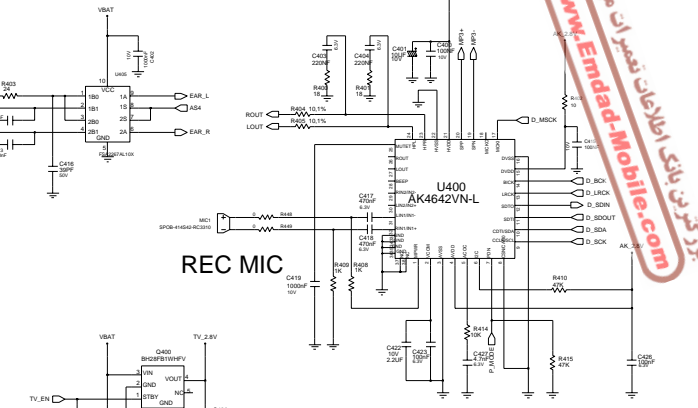


www.EmbeddedWorld.com
مركز بائع المعلومات تصاميم موبایل

ENGINEER	ASB	COMPANY NAME	
DRAWN BY	ASB	ADDRESS	
CHECKED BY		CITY	
APPROVED BY		SGH-D900_REV1.3	
DATE			
DATE		DRAWING NUMBER	Sheet 1 of 5

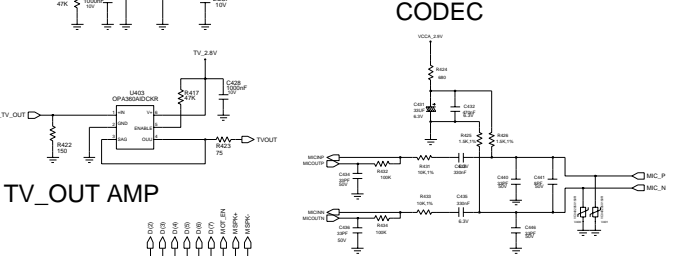


HERA-TV-NEO

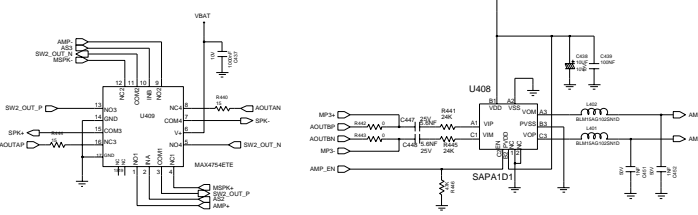


REC MIC

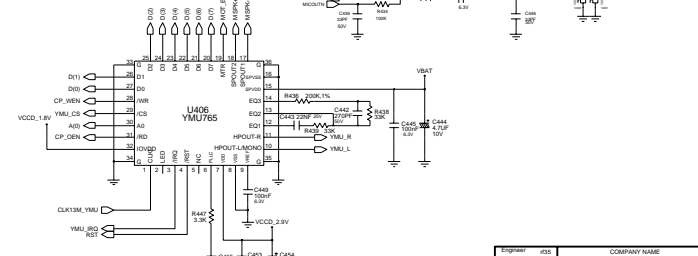
CODEC



TV_OUT AMP

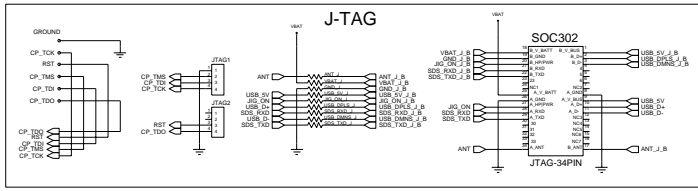


SAPA AUDIO AMP

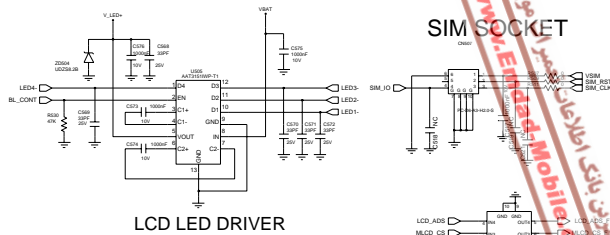
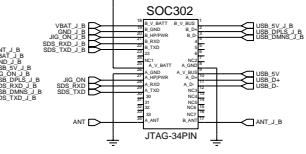


YAMAHA

Engineer: jcs	COMPANY NAME:
Desig: jcs	Address:
DATE: 06/06/2006	CITY:
DESIGNER: JCS	TITLE:
REVIEWER: JCS	SGH-D900_REV1.3

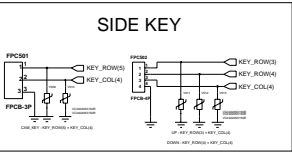
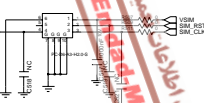


J-TAG

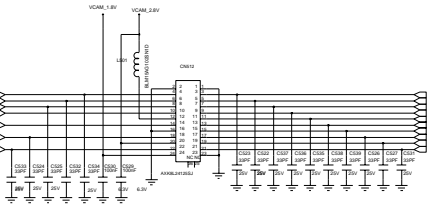


LCD LED DRIVER

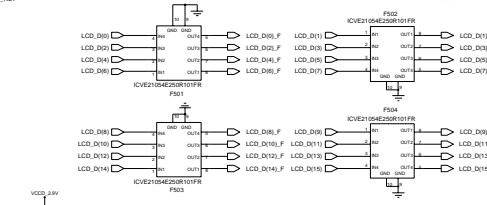
SIM SOCKET



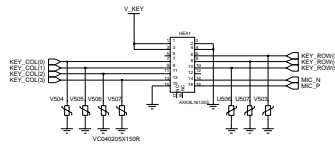
SIDE KEY



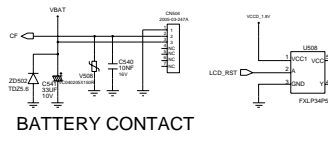
CAMERA CONNECTOR



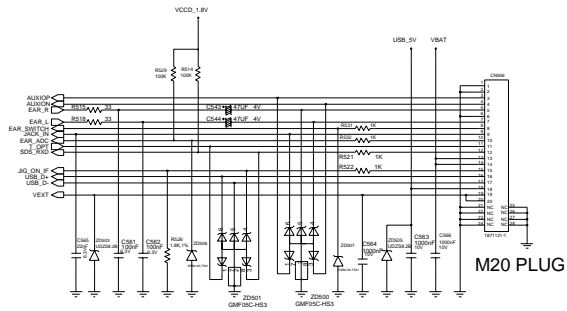
LCD CONNECTOR



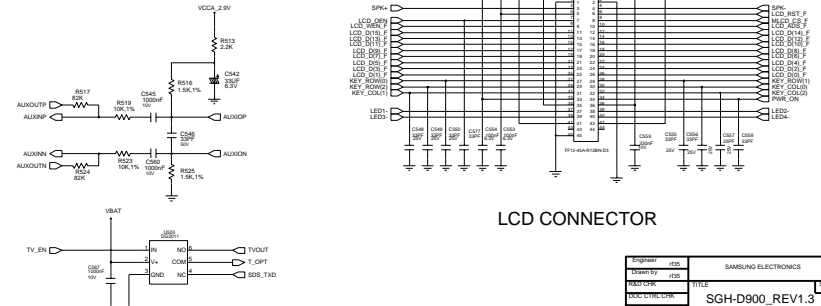
3 * 4 KEY



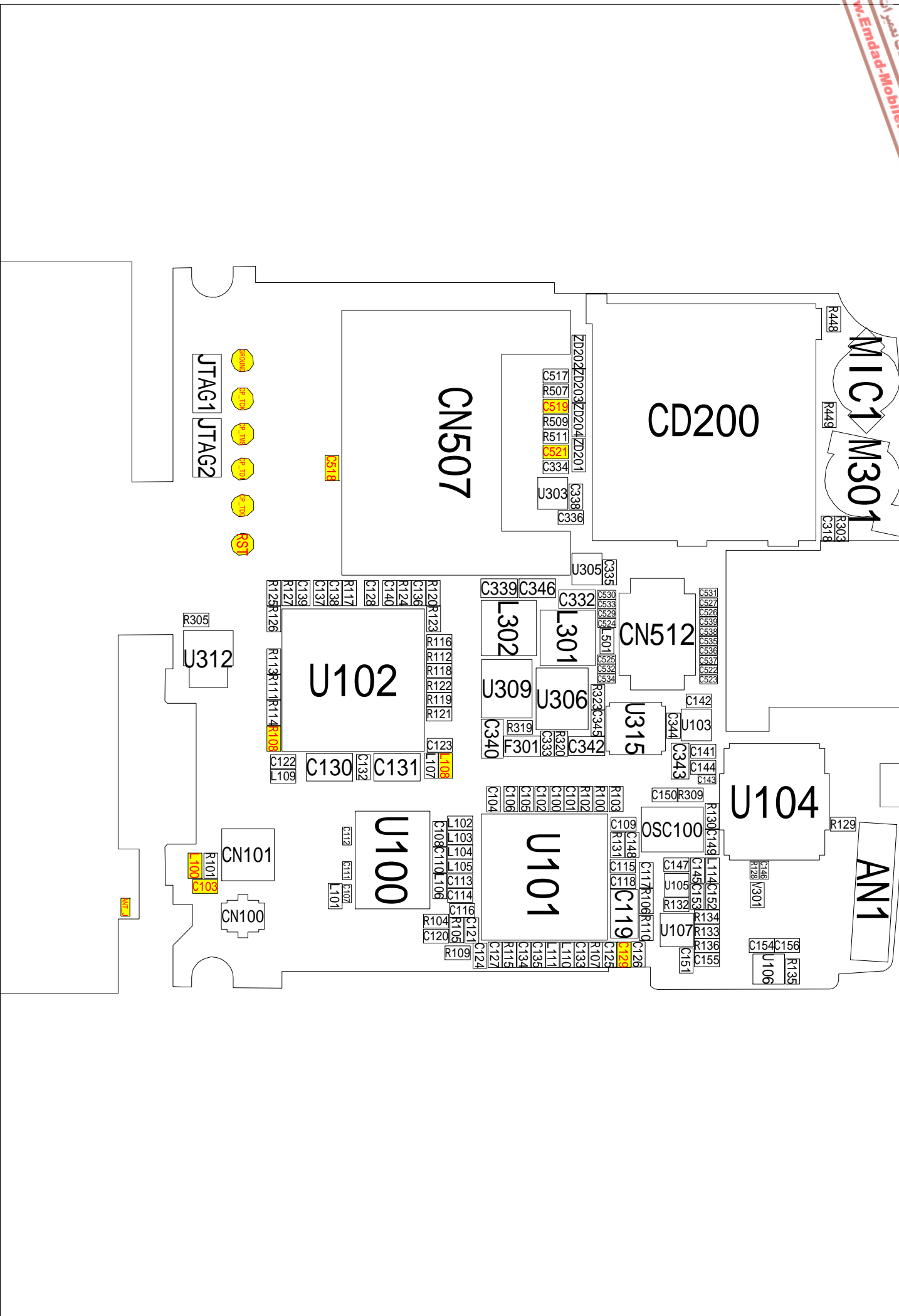
BATTERY CONTACT

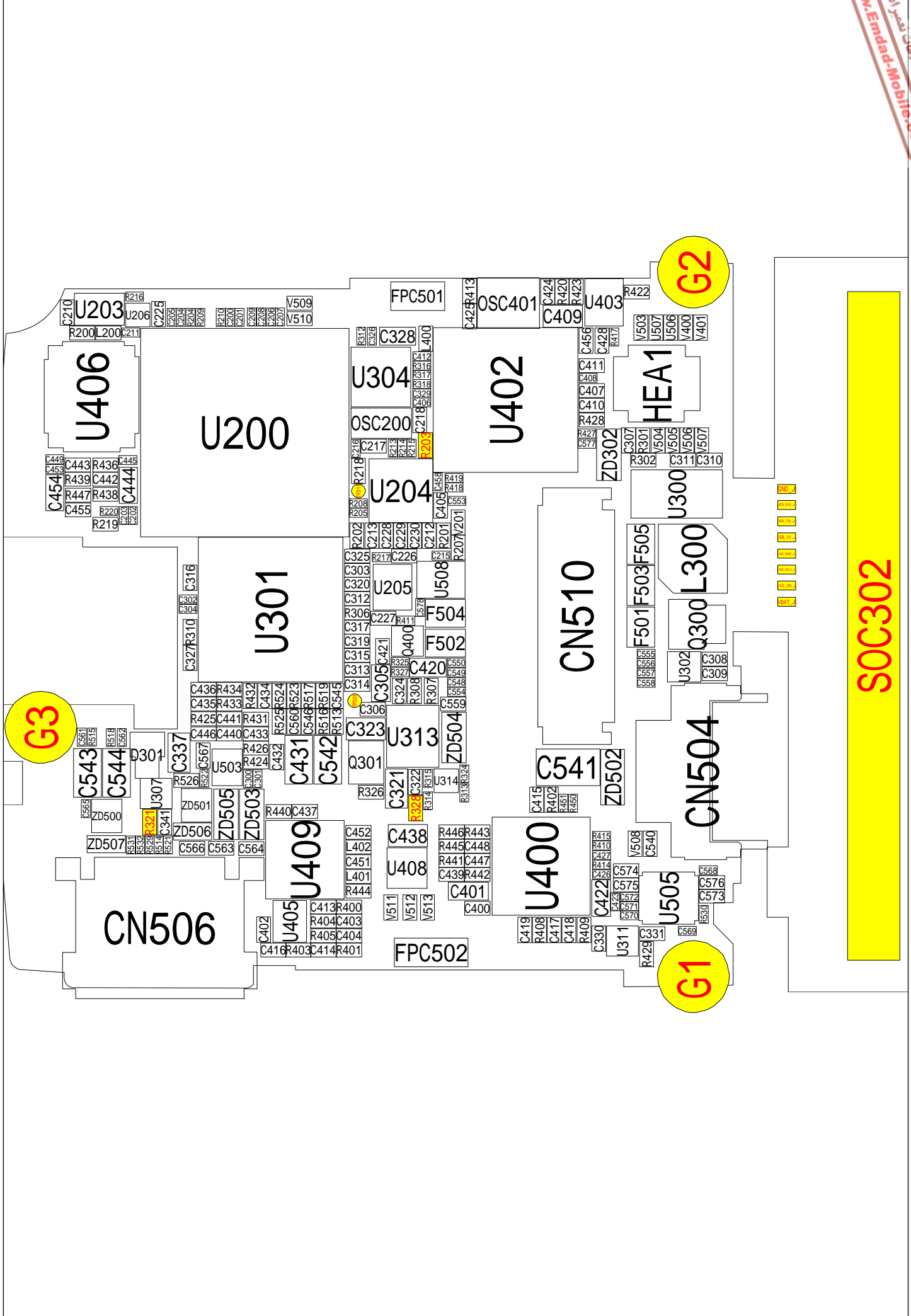


M20 PLUG



Engineer	DES	SAMSUNG ELECTRONICS
Checked by	JTB	TITLE
Rev	001	SGH-D900_REV1.3
DATE	2005.07.25	DATE
DRW/CHEK	DES	DATE
REV	001	DATE





G3

G2

G1

SOC302