

SLC700

BTC600

UCP200

U315

UME307

U504

U400

U102

PAM100

TCX100

U104

C128

R111

C134

C124

C123

R105

R103

C114

R129

C109

R114

R115

R116

R117

C161

R130

C146

L140

R116

R117

C161

R130

C146

L140

C127

L118

C104

R130

C146

L140

C127

L118

C104

L103

C110

L103

R128

L101

L137

L106

C126

C157

R109

C105

TR210

U105

C142

L117

C165

L143

C162

L139

L135

L145

C142

L117

C165

L143

C162

L139

L135

L145

L117

C165

L143

C162

L139

L135

L145

TA100

C136

C135

C142

L117

C165

L143

C162

L139

L135

L145

TA100

C136

C135

L117

C165

L143

C162

L139

L135

L145

TA100

C136

C135

C165

L143

C162

L139

L135

L145

TA100

C136

C135

P103

L143

C162

L139

L135

L145

TA100

C136

C135

P103

P102

L143

C162

L139

L135

L145

TA100

C136

C135

P103

P102

C162

L139

L135

L145

TA100

C136

C135

P103

P102

P102

L139

L142

C141

C139

L142

C141

C156

L148

C163

C149

L142

C141

C139

L142

C141

C156

L148

C163

C149

L138

C141

C139

L142

C141

C156

L148

C163

C149

L138

L138

C156

C149

L138

L145

C166

C144

C138

C153

C153

C153

C149

L138

L145

C166

C144

C138

C153

C153

C153

C153

C153

C138

C144

C166

C153

C144

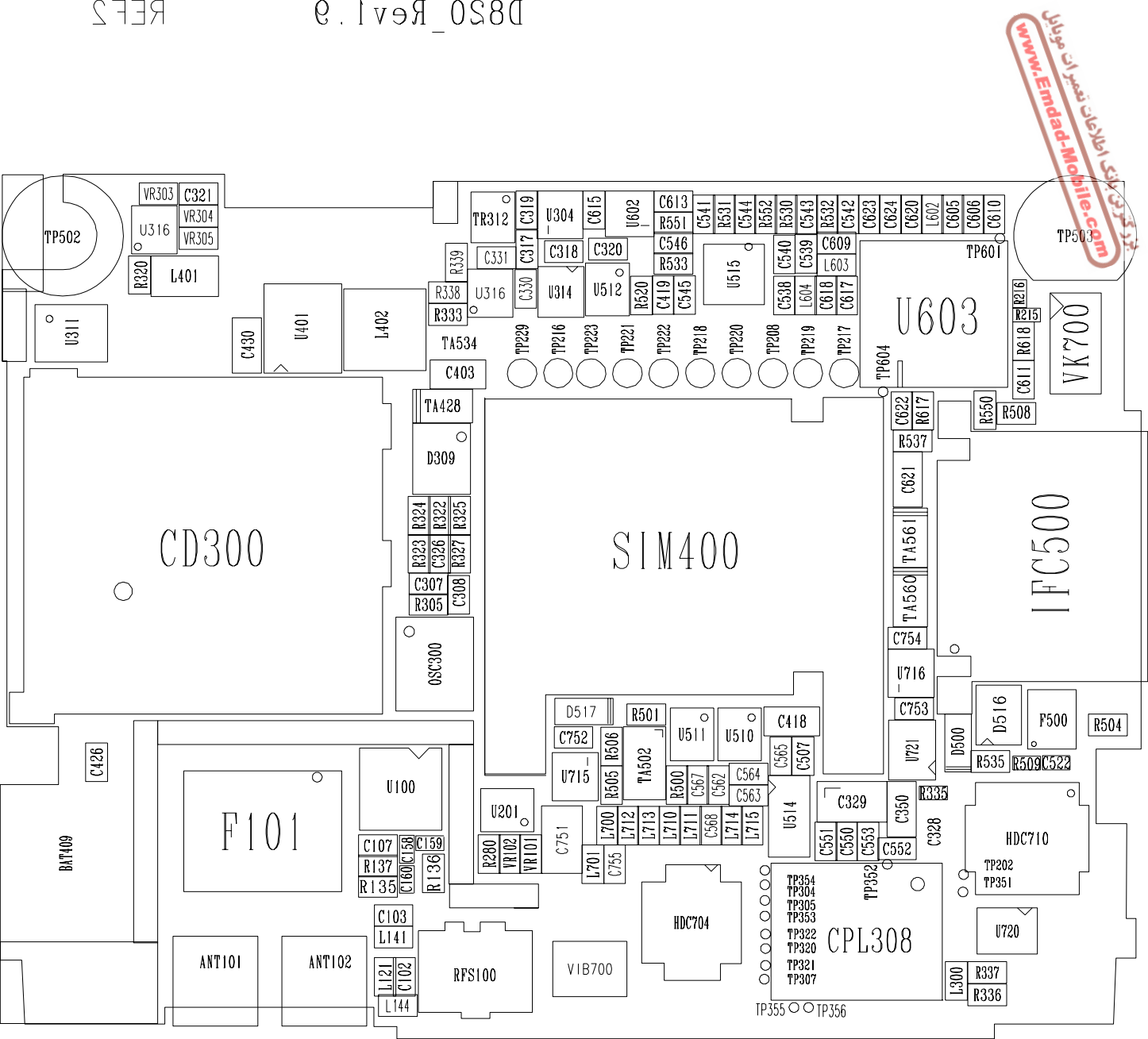
C138

C153

C153

C153

C153



www.Emmipad-Mob-Cell.com

D850_Rev1.0 REF3

TP355 ○ TP356

SPK800

- DB14
- LAB5
- DB13
- LAB4
- DB16
- DB15

SOFT1

LEFT

UP

INT

RIGHT

SOFT2

SEND

R806
LAB1

DOWN

CLR

R807
LAB5

R802
LAB7

END

HDC802

W1C800

C816	RB31	C852	C858	C857
C845	C832	C833	C834	C856
L802	B830	C838	VR813	VR812

www.Empta-p-Mobile.com
 بزرگترین باکی اطلاعات نمک

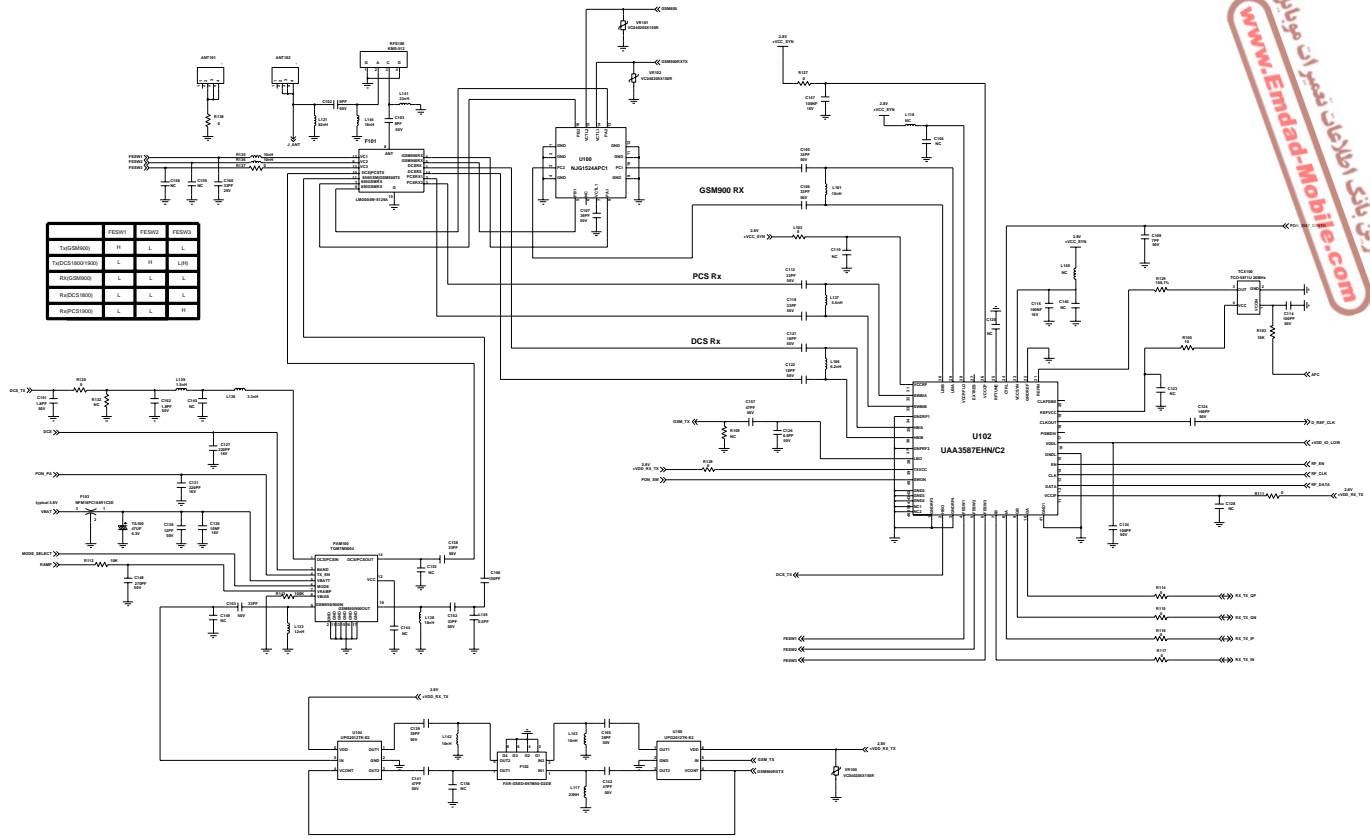
CN810

VR811	VR815	VR816	VR817
C854	C848	RB14	RB36
U829	C863	C810	C814
U820			
VR810	C849	C850	C810

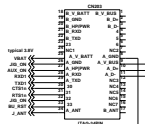
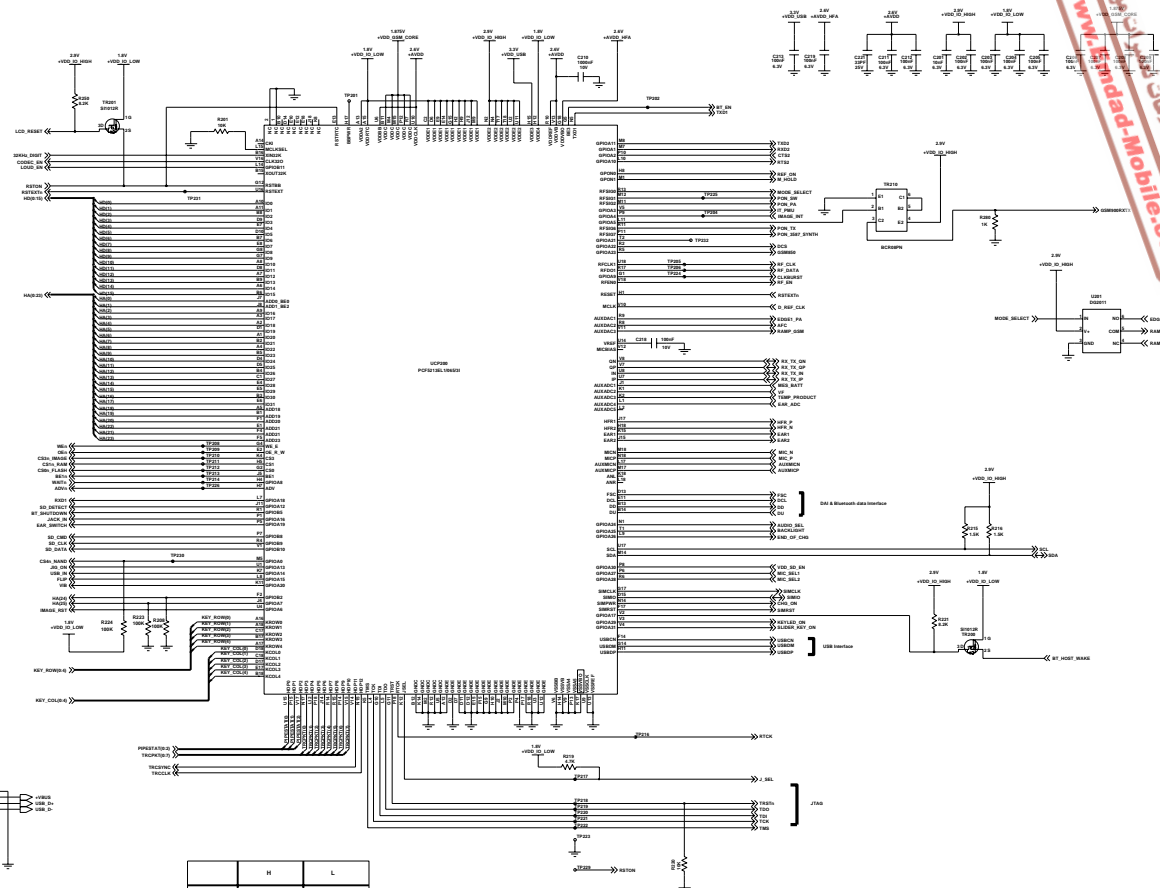
D817
FR01
FR00
FR02
FR03
FR04
FR06
FR05

SLC811

0080371

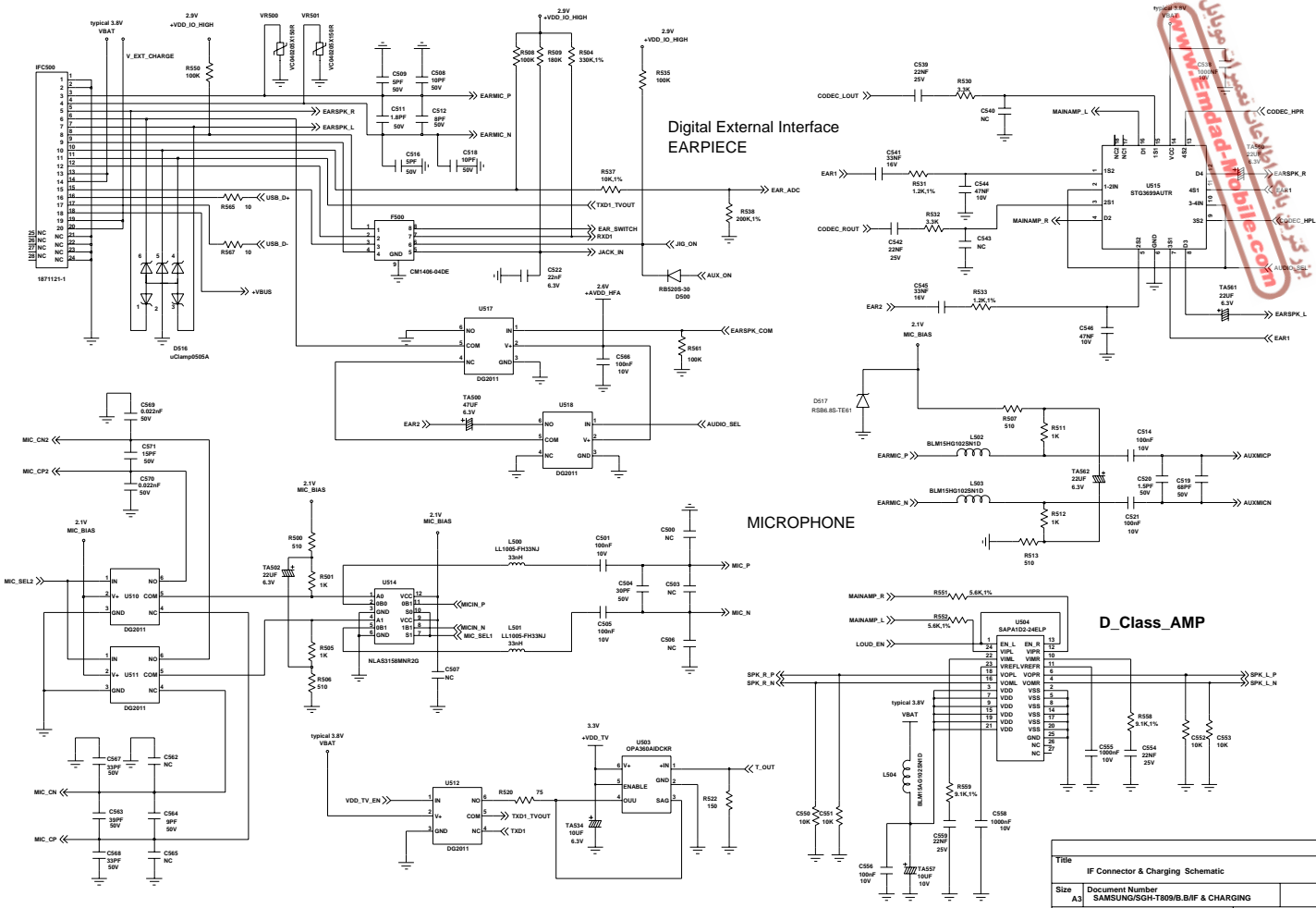


	FSM1	FSM2	FSM3
TMD(GSM900)	H	L	L
TMD(GSM900)	L	H	L
TMD(GSM900)	L	L	L
TMD(GSM900)	L	L	H

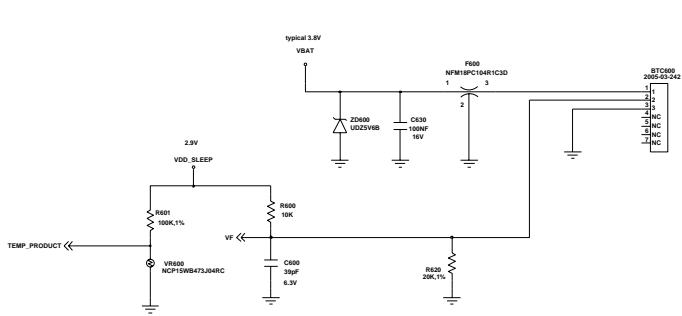


J-TAG 32 PINS

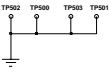
	H	L
J. SEL	ARM9	DSP
TEST	TRACE	NORMAL



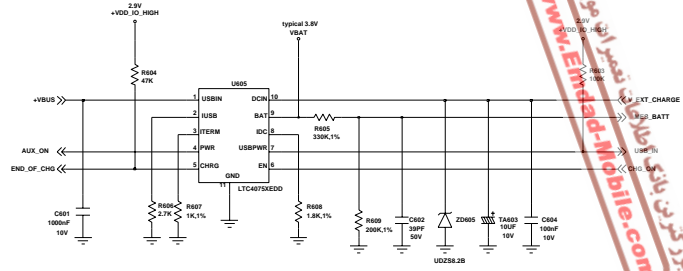
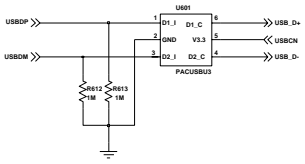
Title		IF Connector & Charging Schematic	
Size	A3	Document Number	SAMSUNG/SGH-T809/B.B/F & CHARGING
Date:			
			Sheet 5 of 8



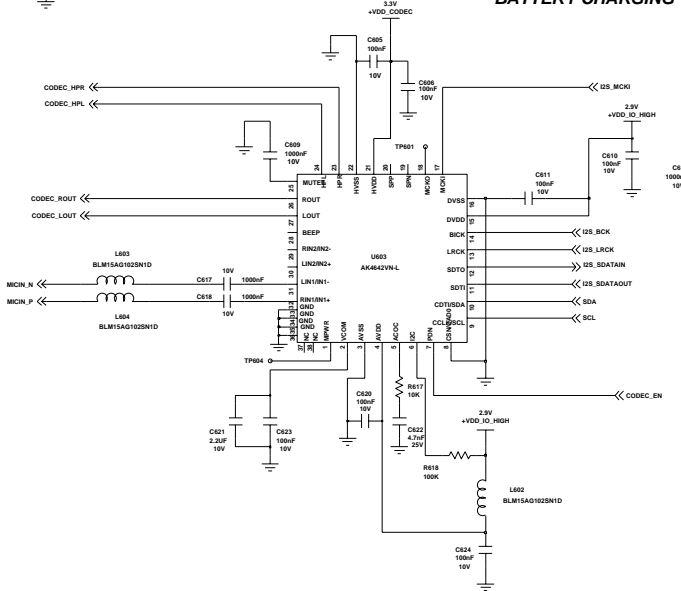
THERMISTER



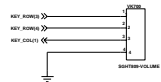
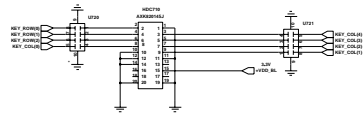
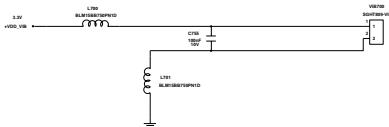
PCB_HOLE



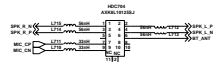
BATTERY CHARGING



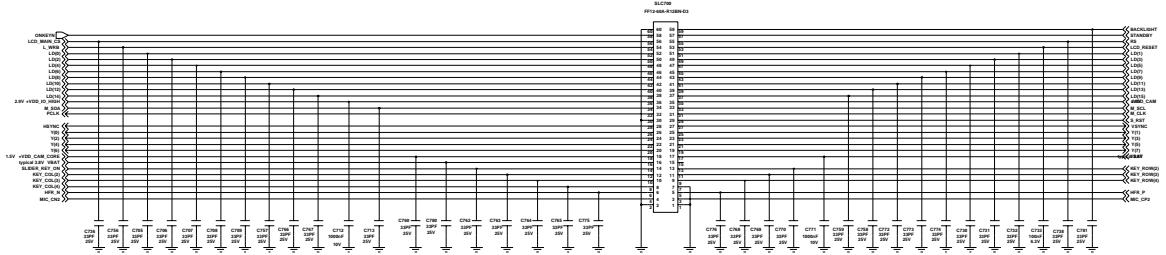
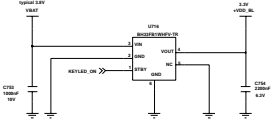
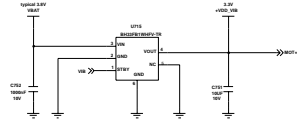
FLIP



KEY_CONNECTOR

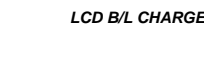
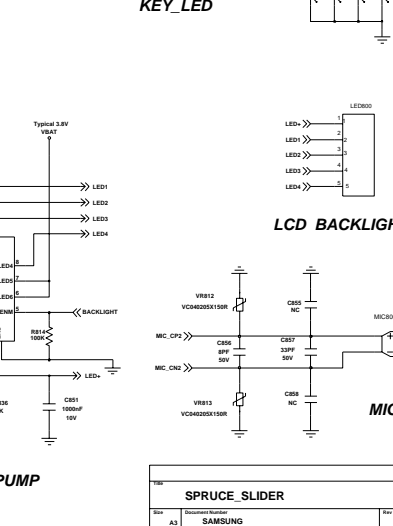
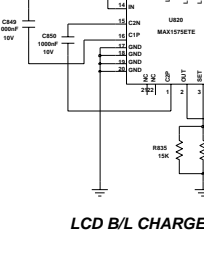
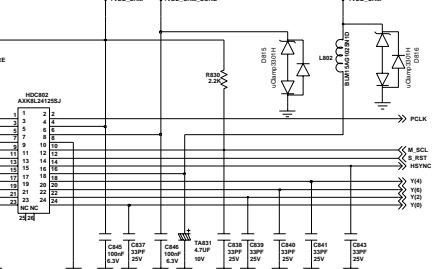
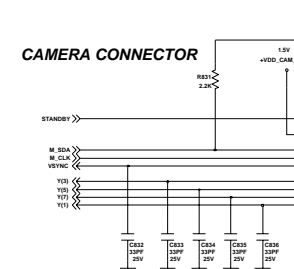
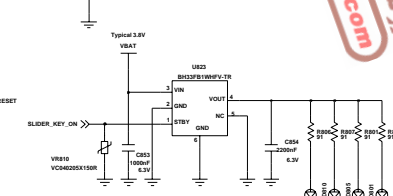
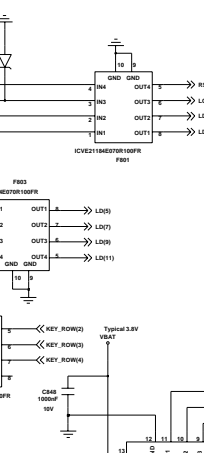
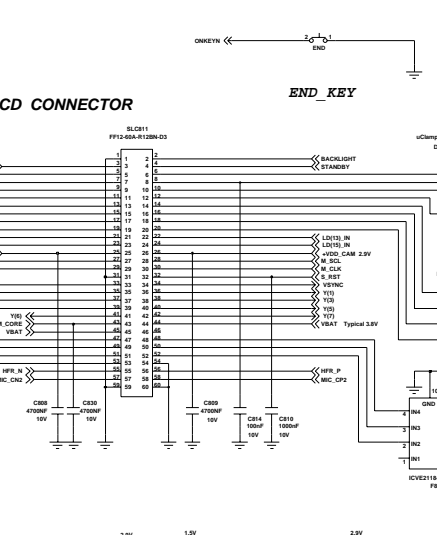
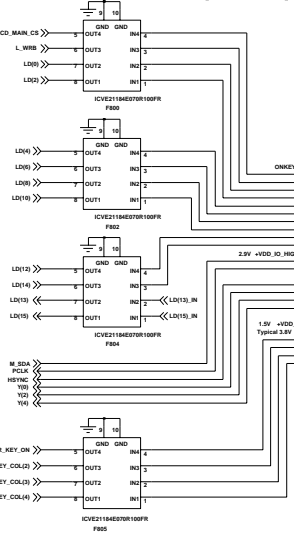
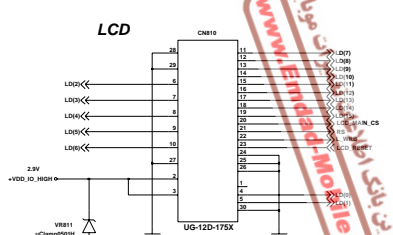
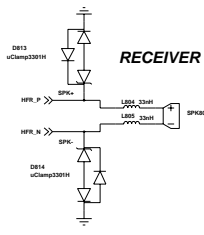
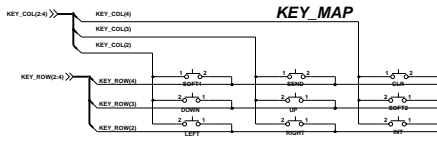
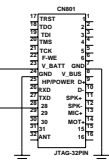


SPK, MIC, VIB CONNECTOR



LCD_CONNECTOR

PCB TEST POINTS



www.ETimedMobile.com
 موبائل ٹیمز
 موبائل ٹیمز پاکستان