

EAR200

CN303

M500

CN304

F603

U600

G1

CN302

U101

G2

G5

G6

G3

U400

U203

U403

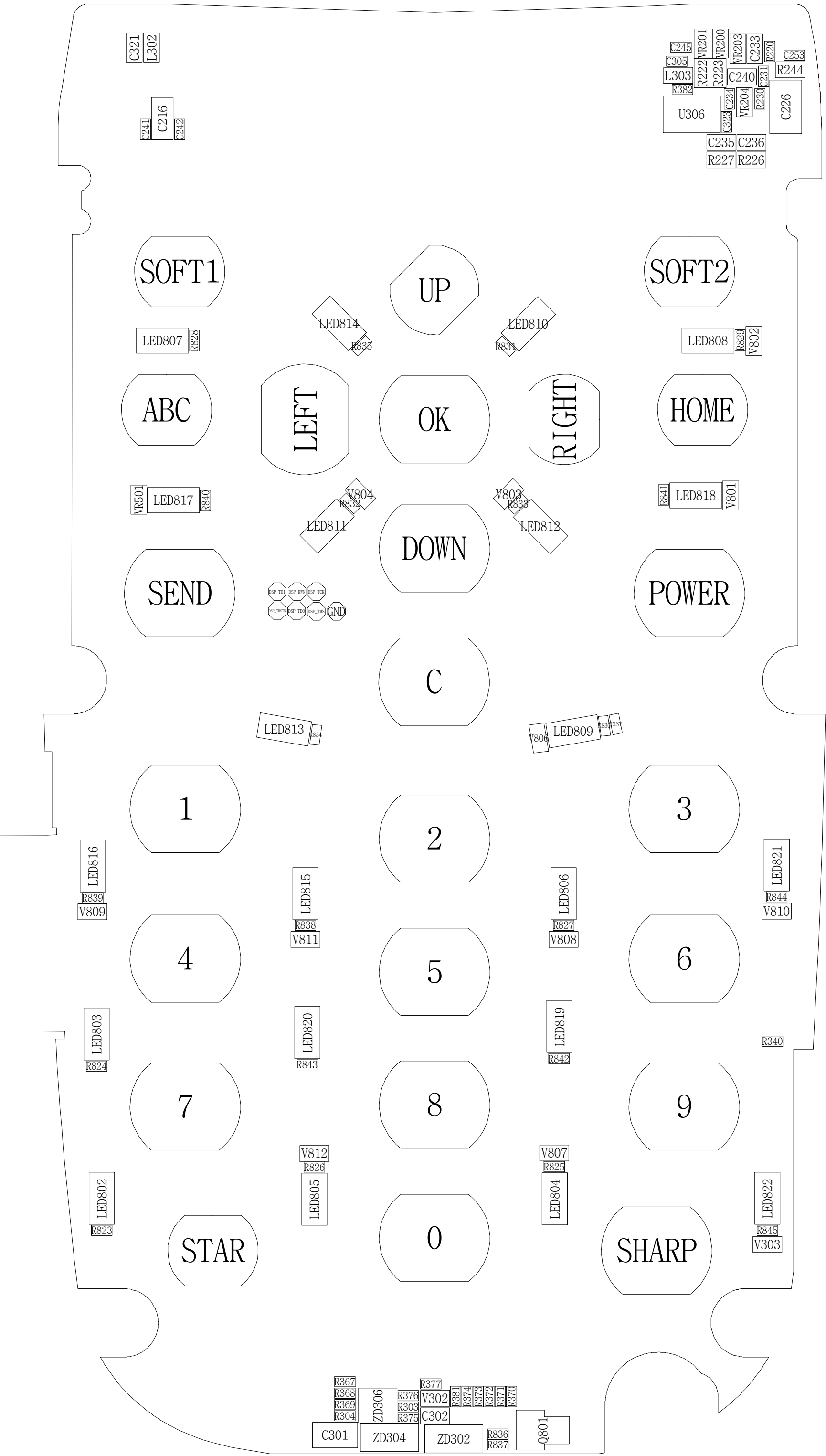
U100

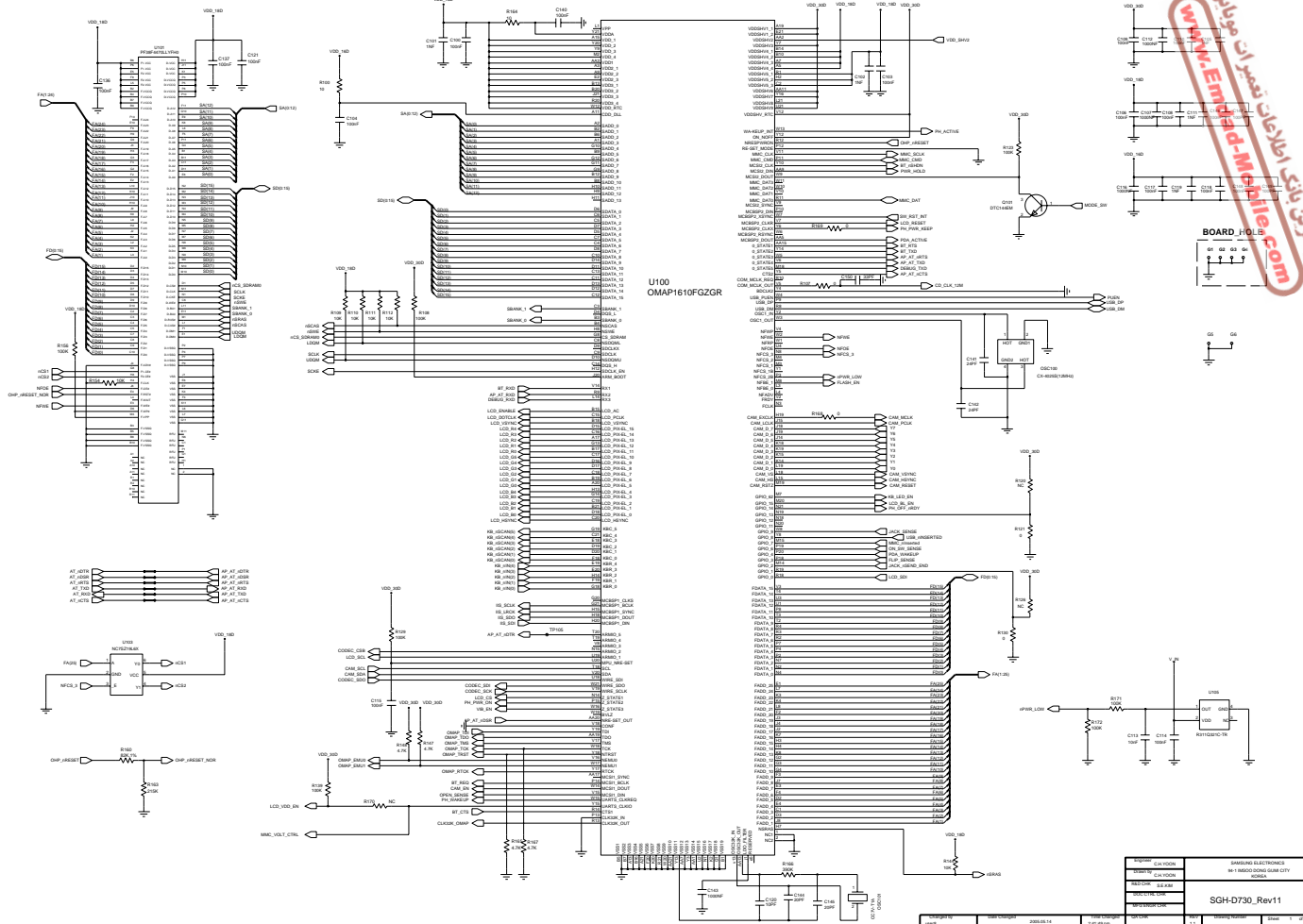
U700

G4

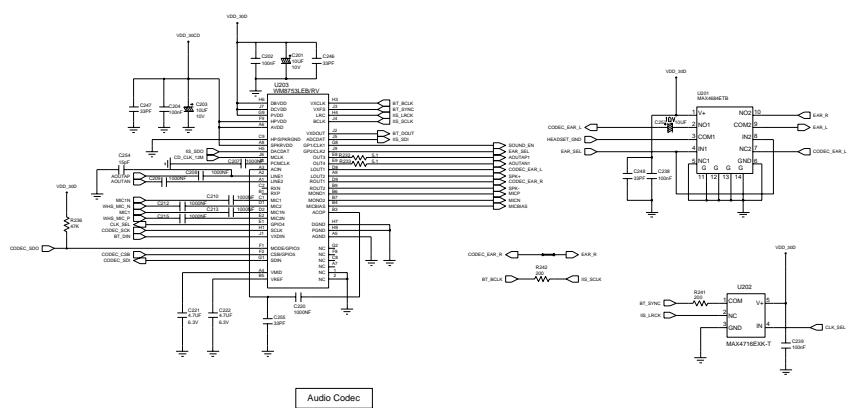
CN301

AN700

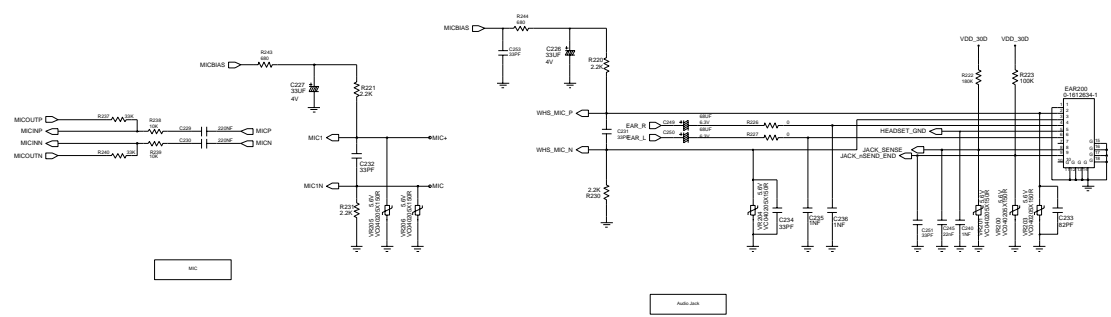




REV	01	DATE	01/01/2008
DESIGNER	SAGHAR		
CHECKED	SAGHAR		
APPROVED	SAGHAR		
SGH-D730_Rev11			

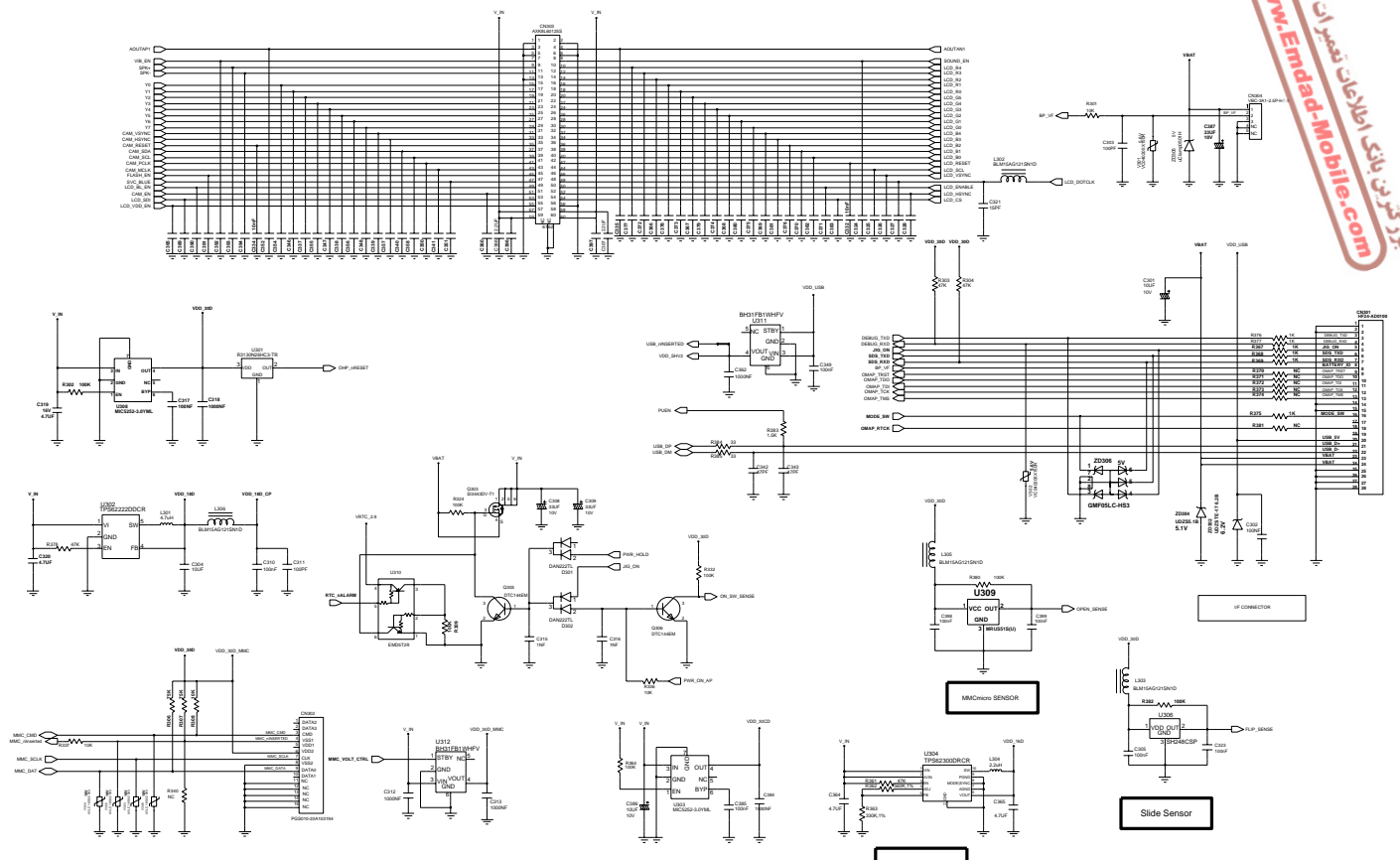


Audio Codec



MIC

Jack Jack



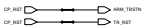
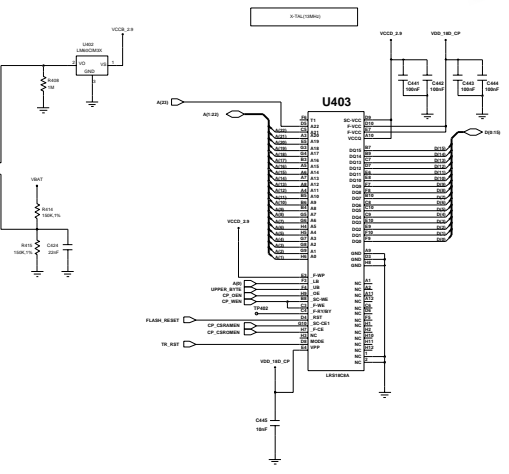
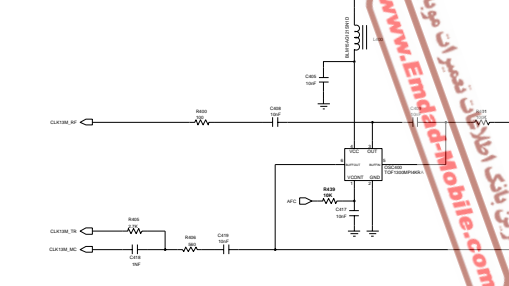
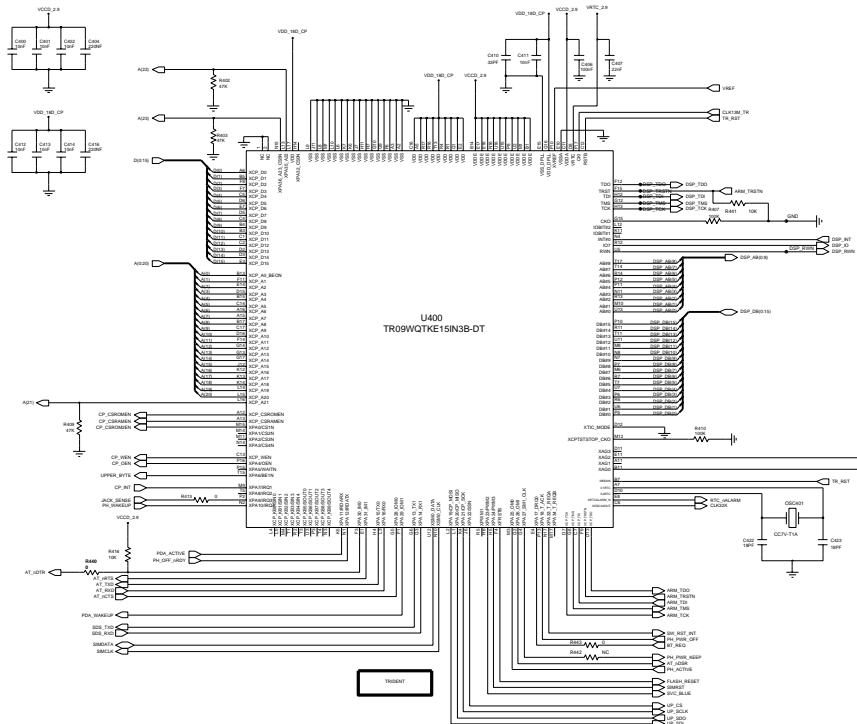
MAC Power

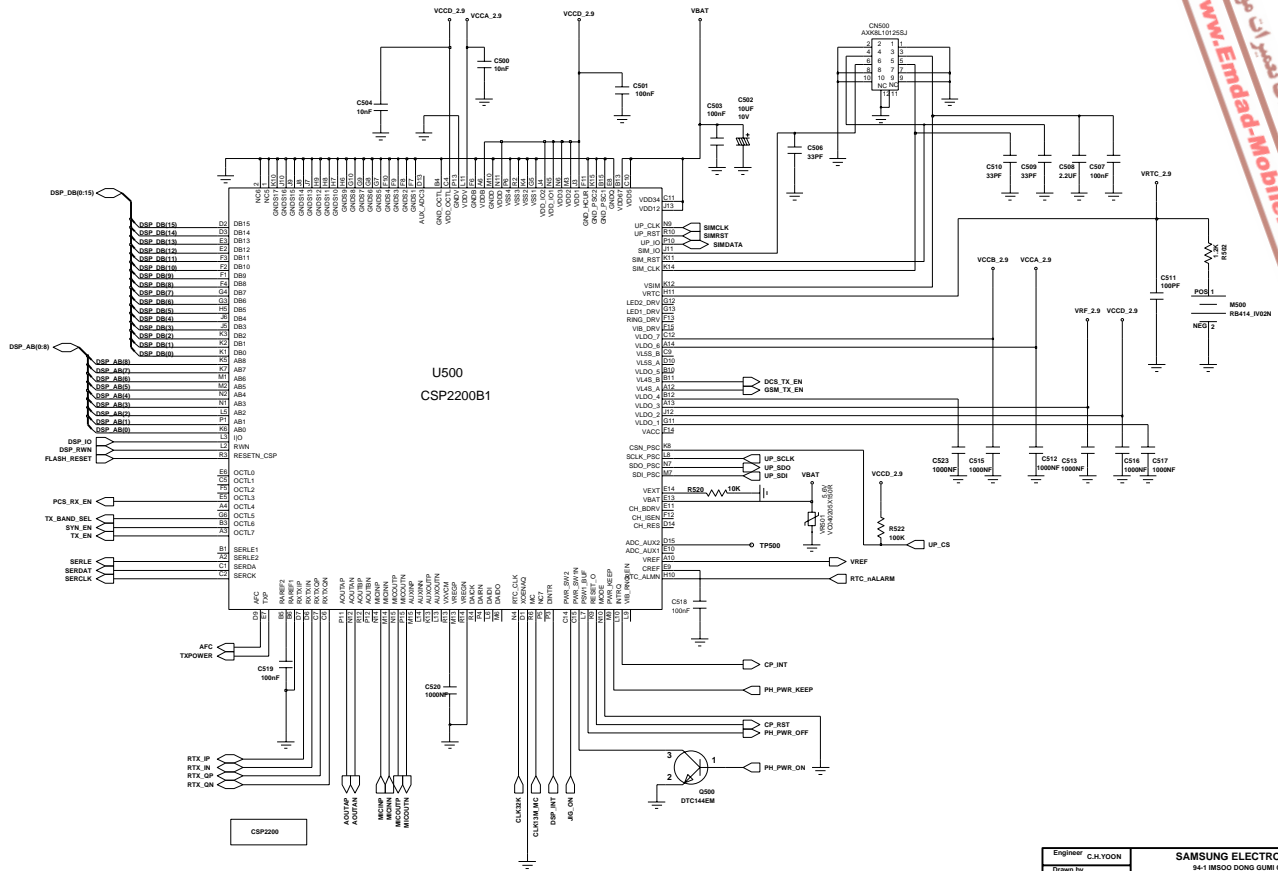
CPU Power

RF Power

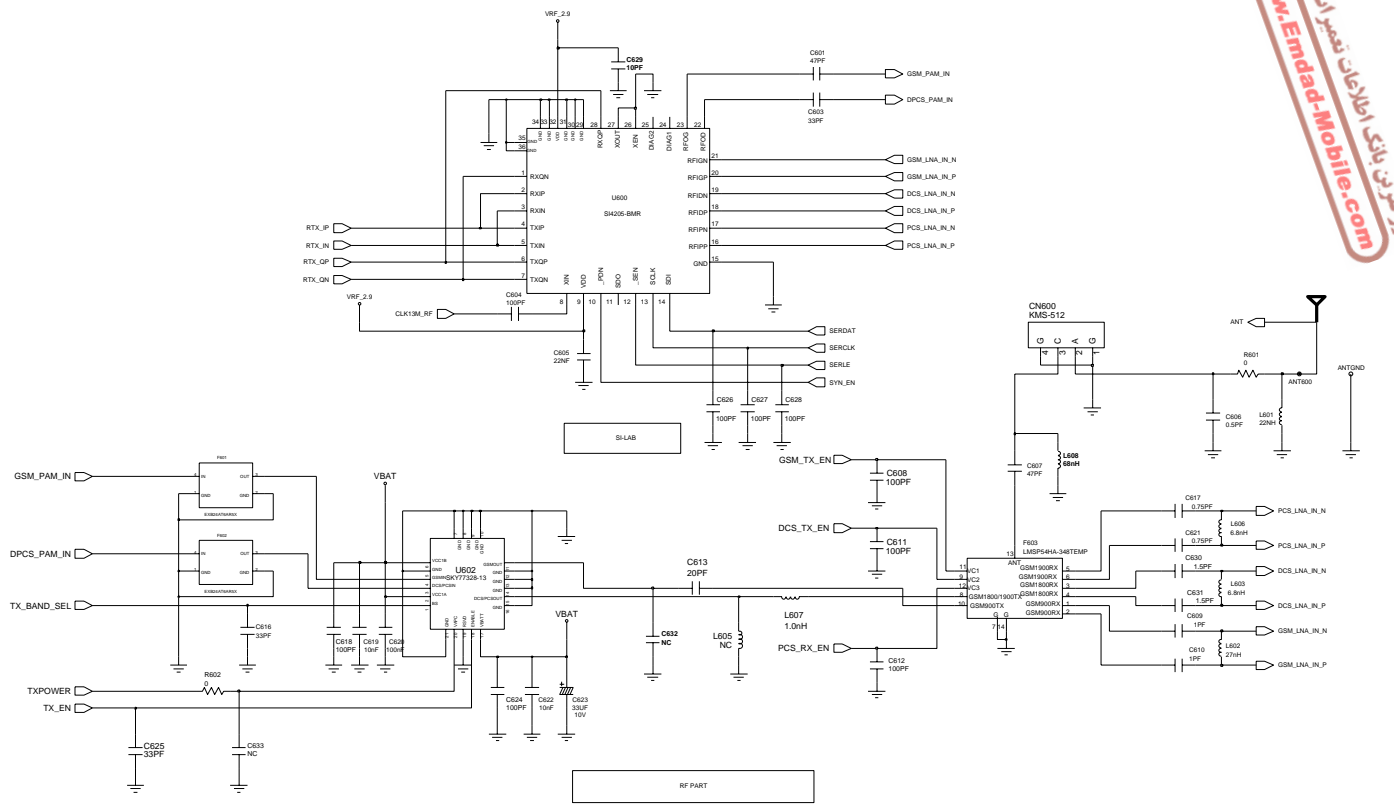
Slide Sensor

PROJECT: SGH-D730	SAMUNG ELECTRONICS
COMP. BY: C. J. VOON	94-1 MEDICAL ROAD, #04-07B, YONGE
DATE: 04.04.04	REV: 1
DESCRIPTION: SGH-D730	SGH-D730_Rev11
DATE: 04.04.04	NO: 1
DATE: 2004.05.14	Sheet: 3 of 4

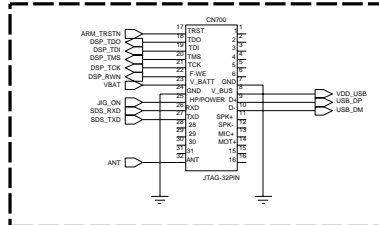




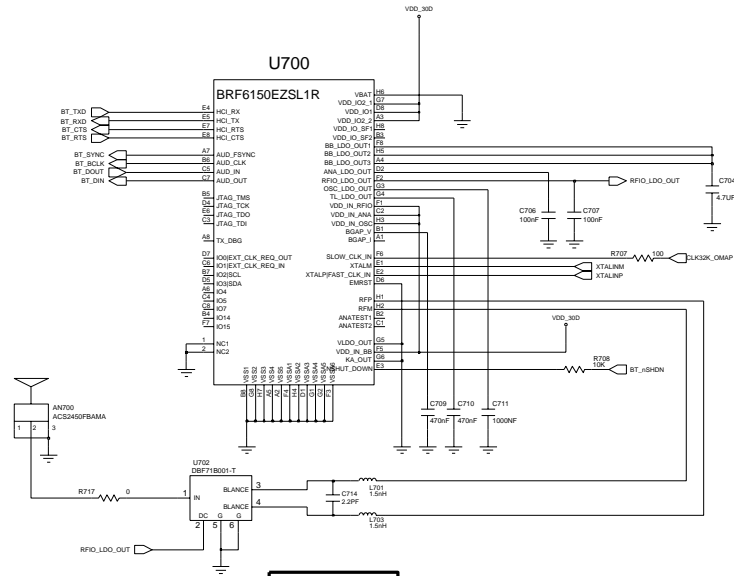
Engineer	CH.YOON	SAMSUNG ELECTRONICS 94-1 MS00 DONG GUMI CITY KOREA	Size	
Drawn by	CH.YOON		TITLE:	
R&D CHK	B.E.KIM		SGH-D730_Rev10	AS
DOC CTRL CHK				
MP'S ENGR CHK				



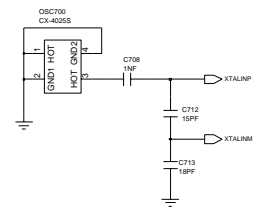
Engineer	CH YOON	SAMSUNG ELECTRONICS 94-1 IMSO DONG GUMI CITY KOREA	Size A3
Drawn by	CH YOON		
RAD/CHK	BEKIM		
DSD/CTRL/CHK			
MFG ENGR/CHK			
SGH-D730_Rev10			



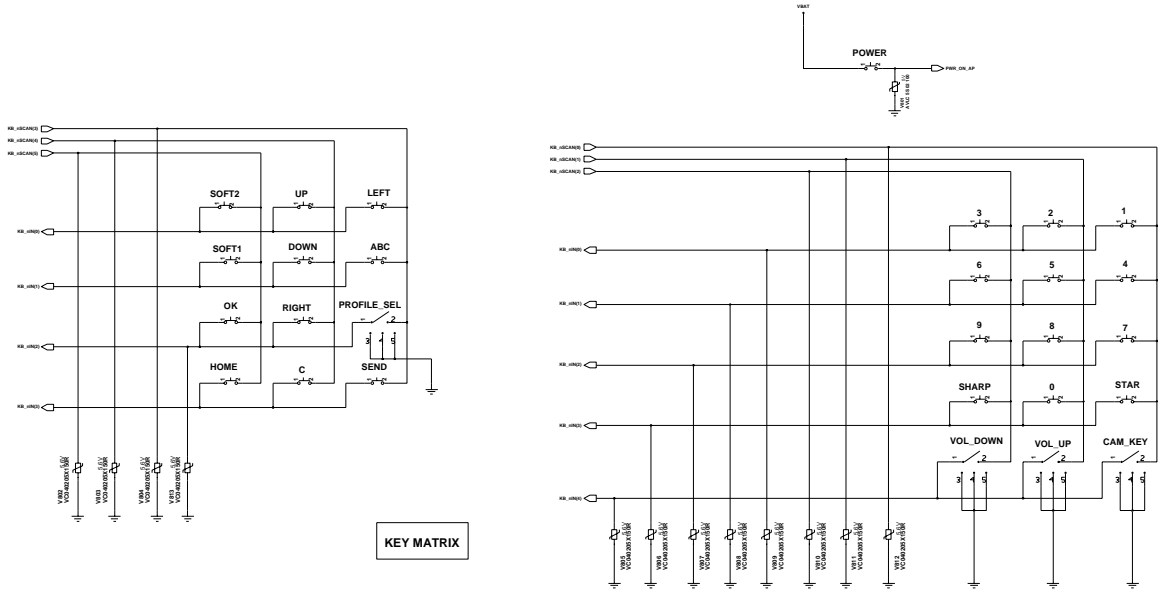
TRIDENT_JTAG



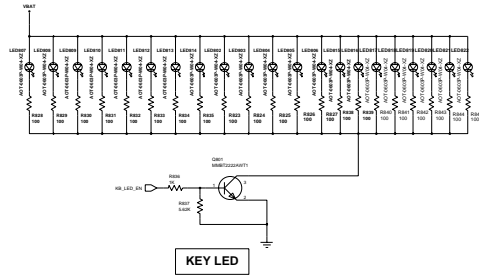
BLUETOOTH



Engineer	C.H.VOOD	SAMSUNG ELECTRONICS 94-1 IMSOO DONG GUMI CITY KOREA	Size A3
Drawn by	C.H.VOOD		
RAD/CHK	S.B.KIM		
DOC/CTRL/CHK			
WFO/ENGR/CHK		SGH-D730_Rev10	



KEY MATRIX



KEY LED

