

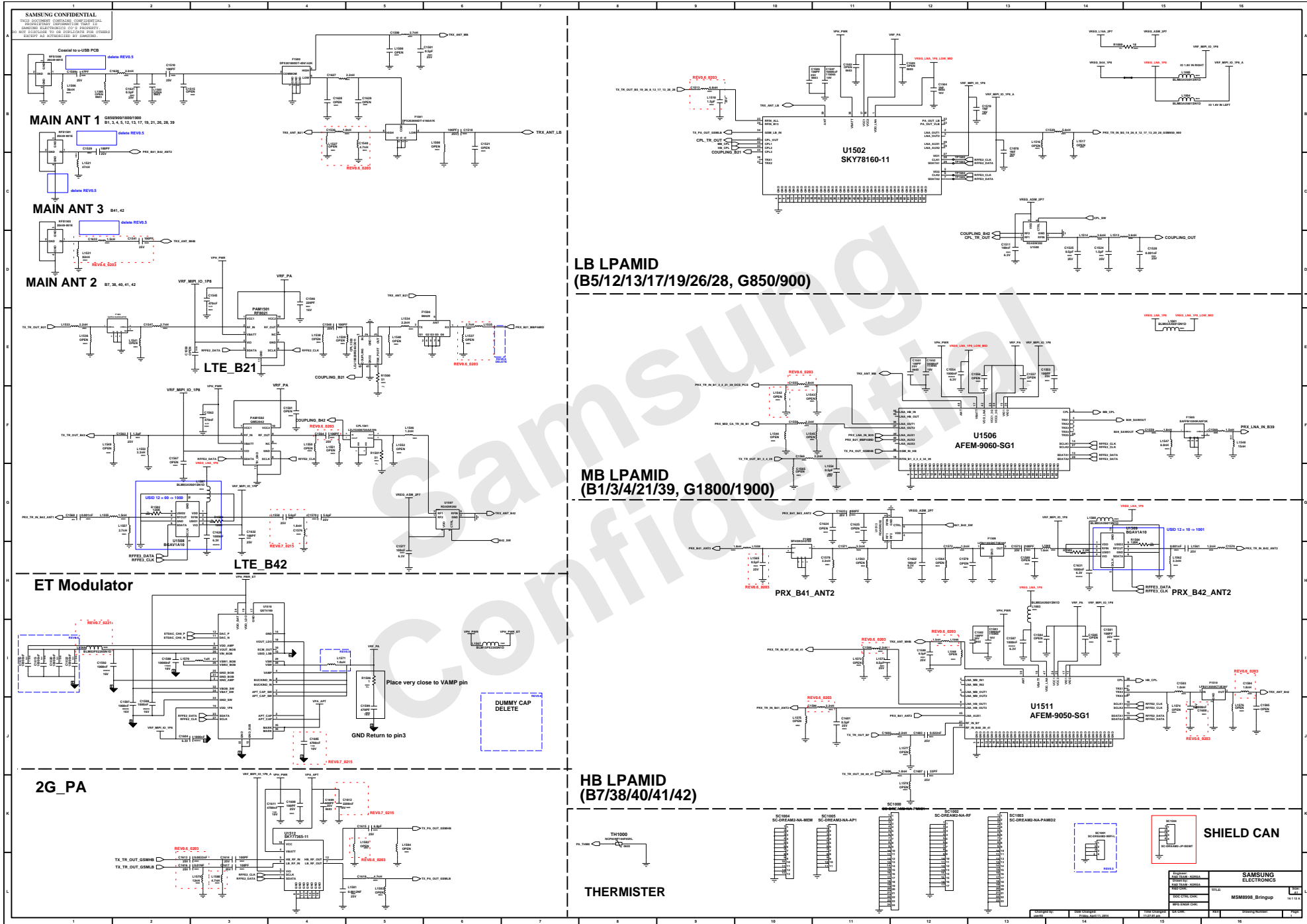
SAMSUNG CONFIDENTIAL
THIS DOCUMENT CONTAINS CONFIDENTIAL
SAMSUNG INFORMATION. IT IS TO BE
HANDLED AS UNCLASSIFIED INFORMATION
EXCEPT AS AUTHORIZED BY SAMSUNG.

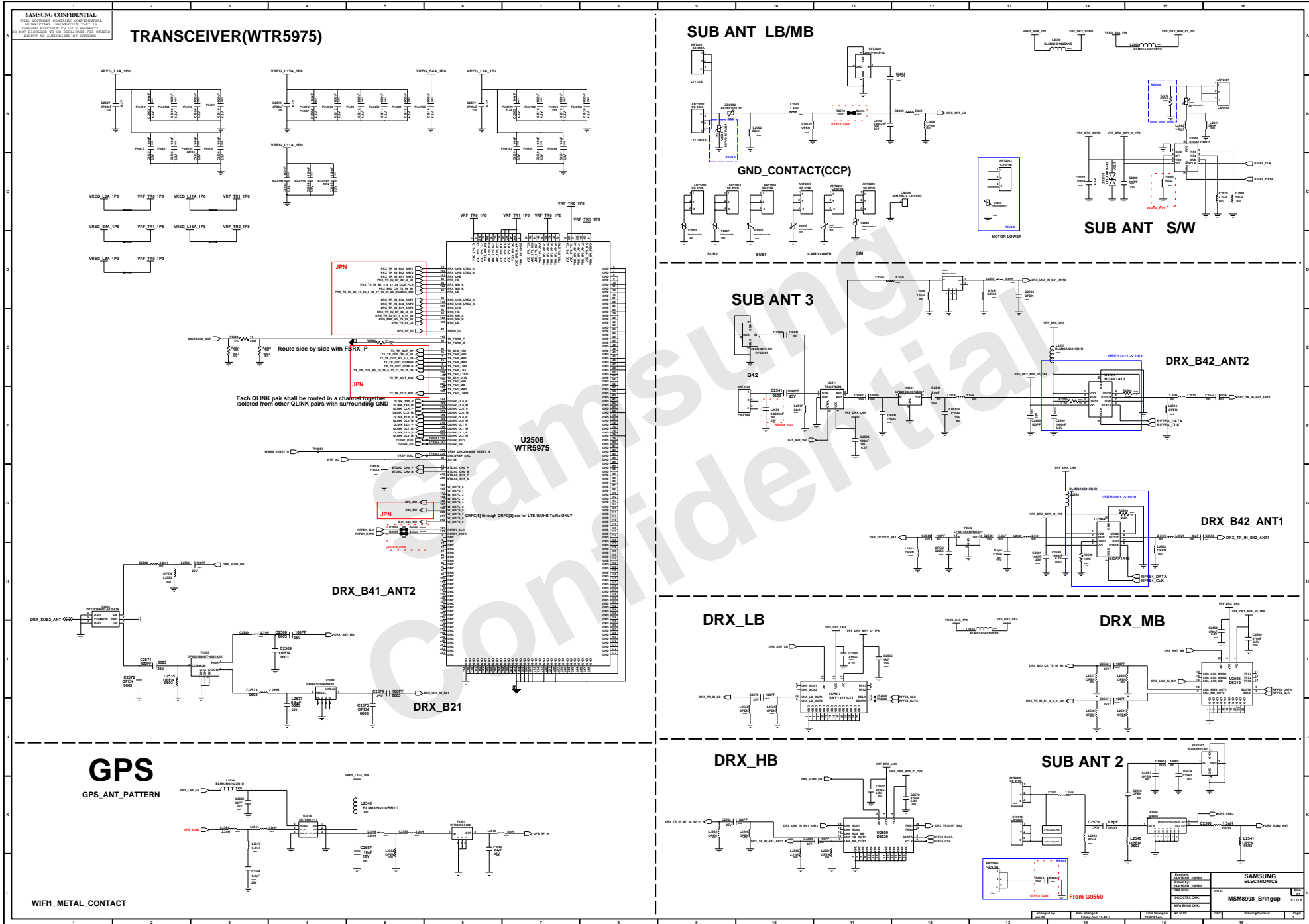
SM-G955D_MAIN_REV0.8 FOR JAPAN

2017.02.18
03.20 BOM
MLCC
DIODE
Silk

- sheet01 : GSM / WCDMA / LTE RF
- sheet02 : TRANCEIVER, DRX
- sheet03 : BT/WIFI, LTE-U
- sheet04 : SENSORS, NFC, PD/CC IC
- sheet05 : MSM8998(AP)
- sheet06 : MSM8998(POWER,GND)
- sheet07 : POWER(PMIC), IF PMIC, MFC
- sheet08 : AUDIO CODEC, SPK AMP, SUB PCB CONN.
- sheet09 : DISPLAY, COMPANION
- sheet10 : IRIS, MAIN CAMERA, FRONT CAMERA, FPS connector

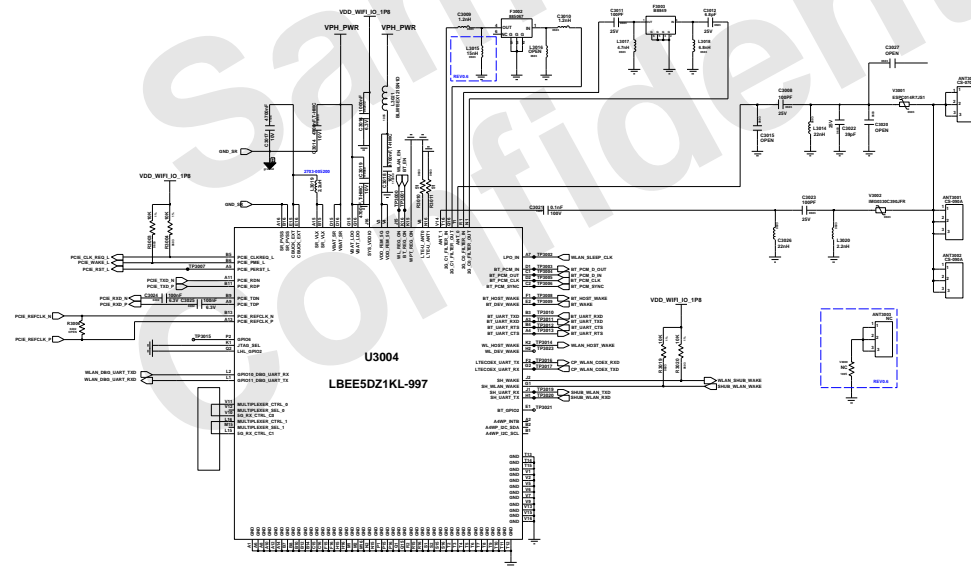
Author:	
Checked by:	
File Name:	Sheet
Doc Title Code:	
Doc Number:	
Doc Date:	
Doc Version:	
Page:	



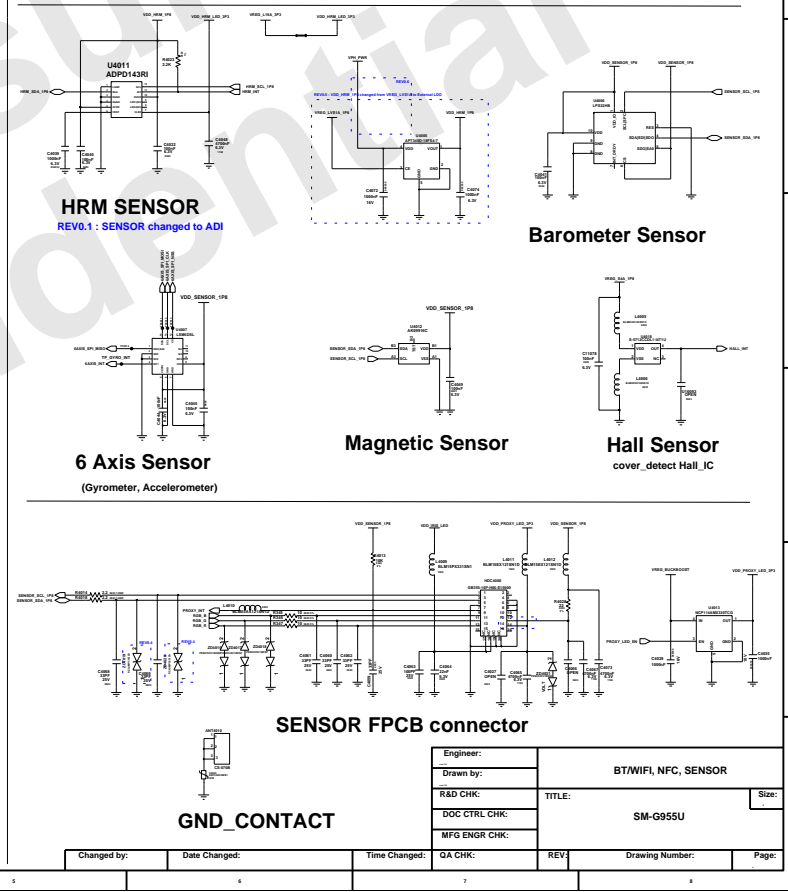
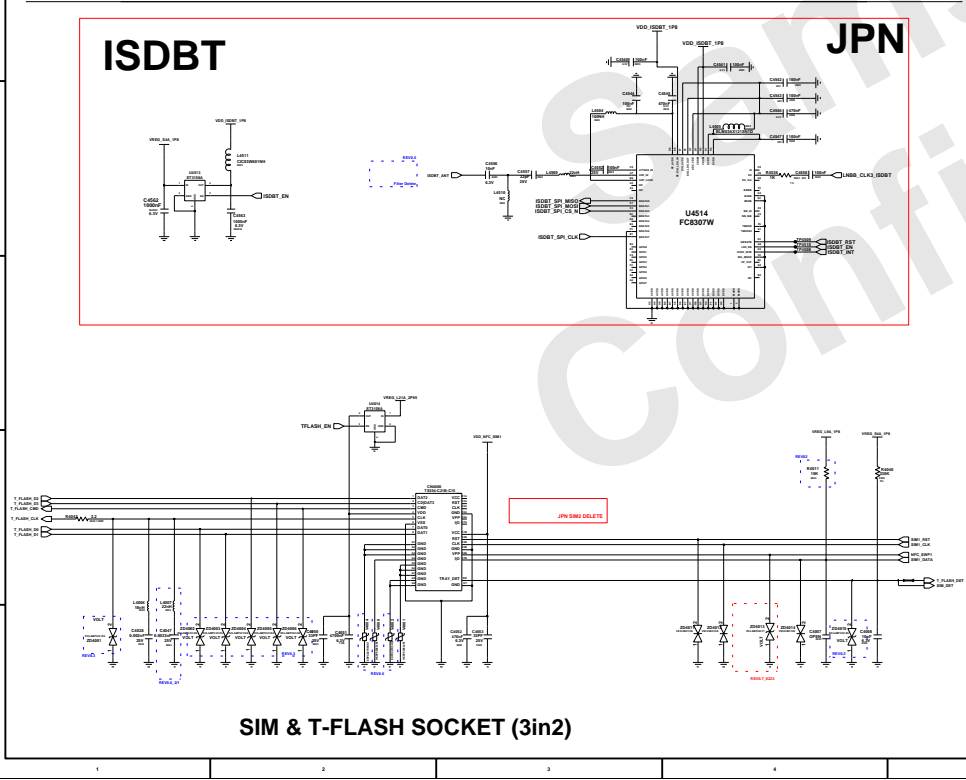
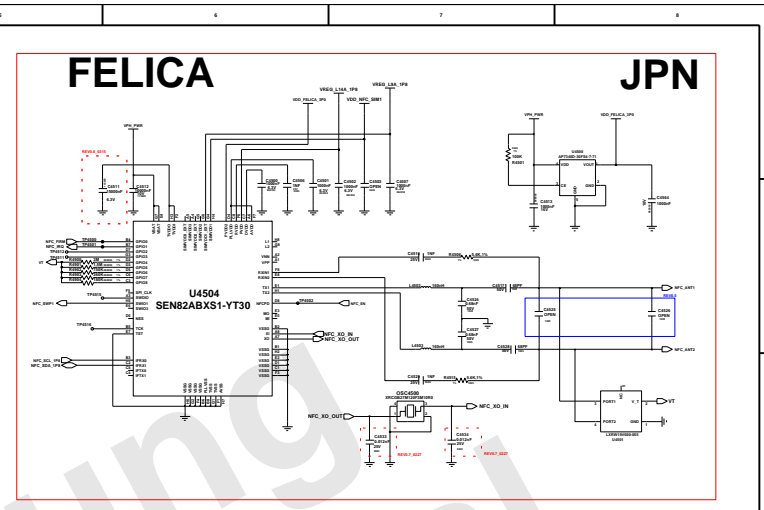
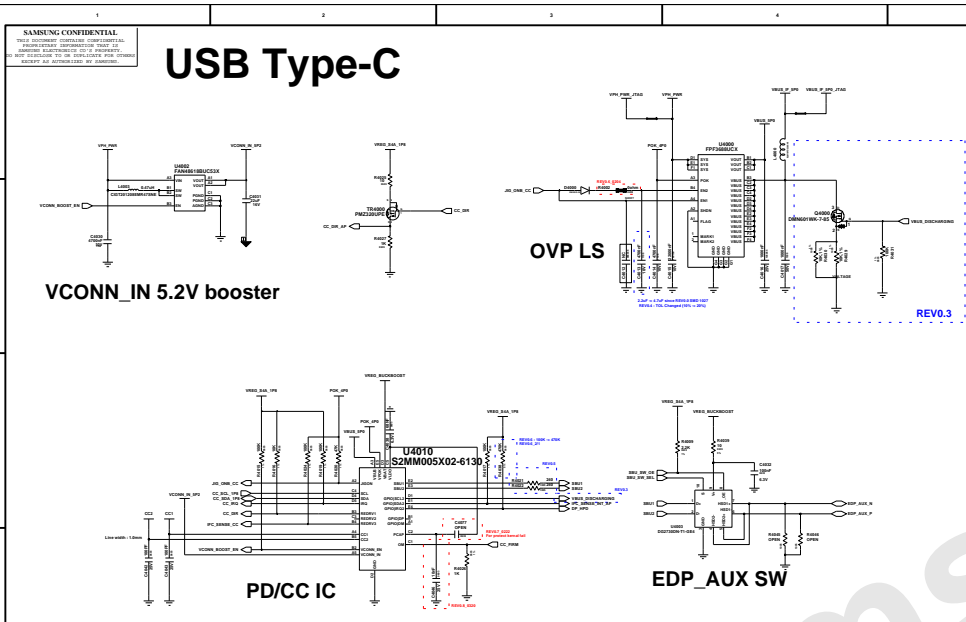


SAMSUNG CONFIDENTIAL
THIS DOCUMENT CONTAINS CONFIDENTIAL
SAMSUNG INFORMATION THAT IS
SAMSUNG PROPRIETARY AND IS NOT TO BE
DISCLOSED TO OR REPRODUCED FROM
RECEIPT AS AUTHORIZED BY SAMSUNG.

BT/WIFI



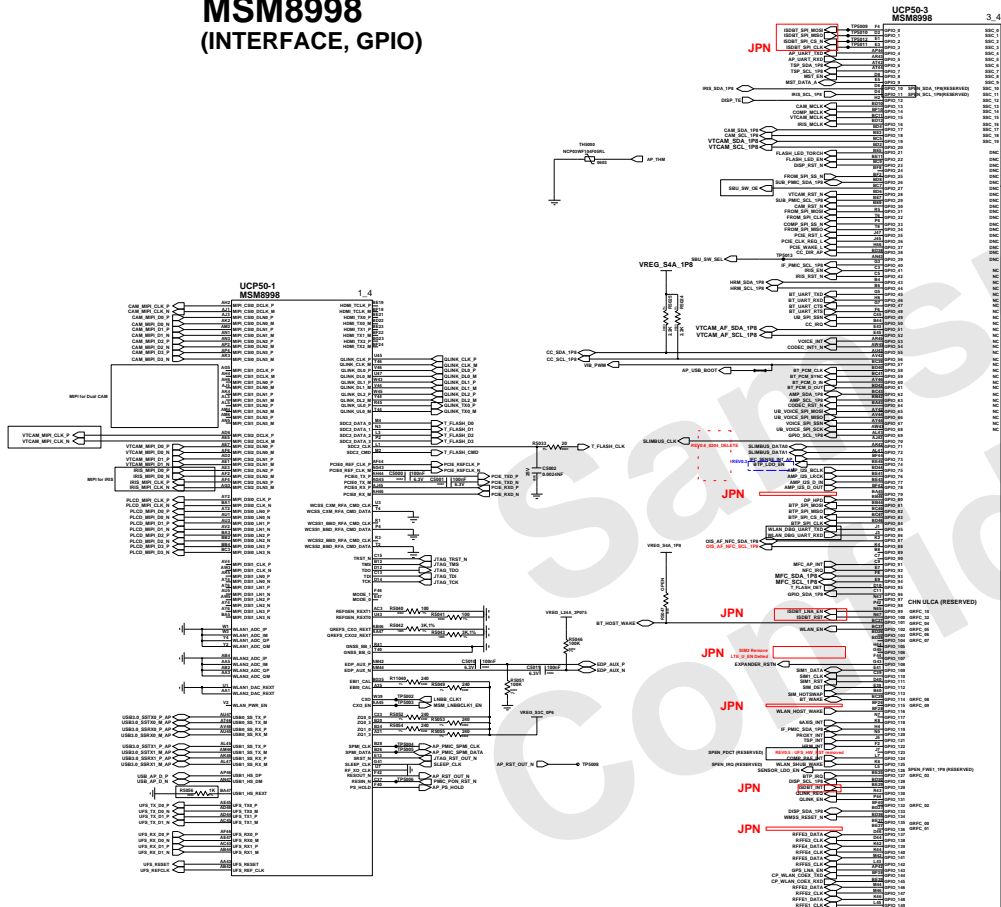
Project	SAMSUNG ELECTRONICS
Part No.	
Rev. No.	
Doc. No.	SM-G955U
Doc. Title	
Doc. Date	14.11.14
Doc. Rev.	
Doc. Rev. No.	
Doc. Rev. Date	



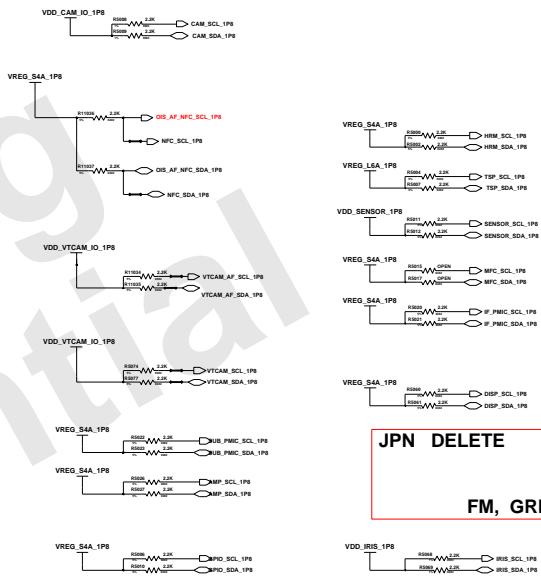
Engineer:	BT/WIFI, NFC, SENSOR	
Drawn by:	TITLE:	Size:
R&D CHK:	SM-G955U	
DOC CTRL CHK:	MFG ENGR CHK:	
QA CHK:	REV:	Drawing Number:
Date Changed:	Time Changed:	Page:

SAMSUNG CONFIDENTIAL
THIS DOCUMENT CONTAINS CONFIDENTIAL
INFORMATION. INFORMATION THAT IS
PROPERTY OF SAMSUNG ELECTRONICS CO., LTD. IS
NOT TO BE DISCLOSED TO OR REPRODUCED FROM
WITHOUT PERMISSION OF SAMSUNG ELECTRONICS
CORPORATION (EXCEPT AS AUTHORIZED BY SAMSUNG).

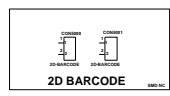
MSM8998 (INTERFACE, GPIO)



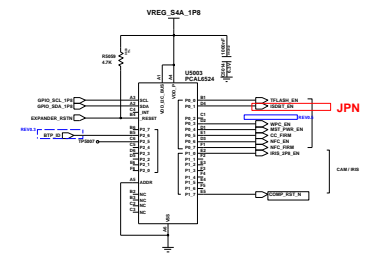
I2C PULL UP



JPN DELETE
FM, GRIP

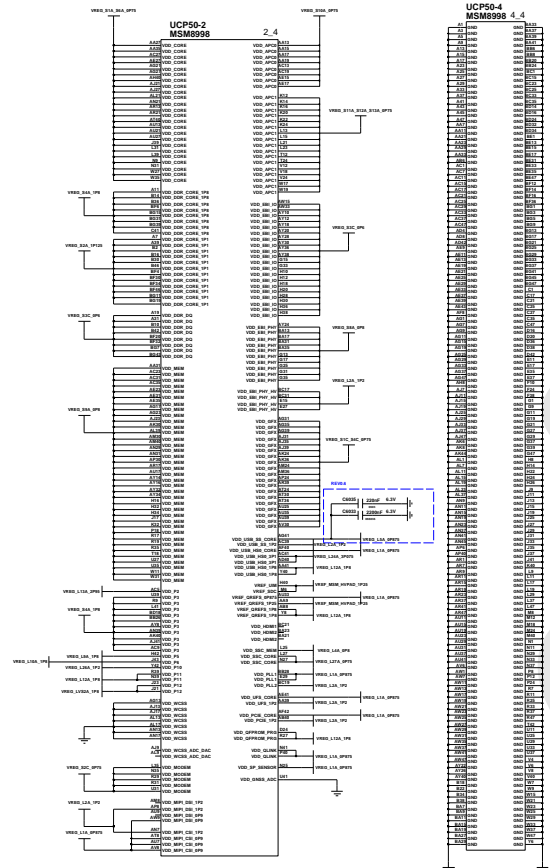
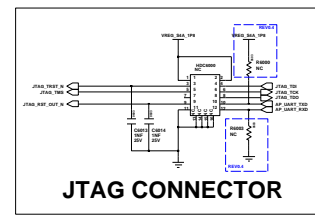


24ch GPIO EXPANDER (New!!!)



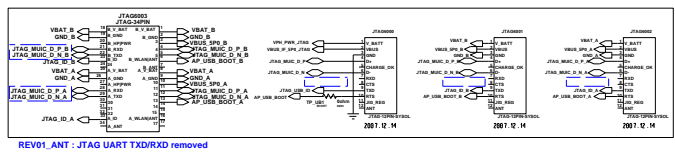
Engineer	AP(GPIO), SIMSD CARD
Designer	
Check Date	DATE
Doc Title Code	SM-G855U
Doc Number	
Doc Date	
Doc Rev	

SAMSUNG CONFIDENTIAL
THIS DOCUMENT CONTAINS CONFIDENTIAL
PROPRIETARY INFORMATION THAT IS
SAMSUNG'S TRADE SECRET OR PROPRIETARY
INFORMATION. IT IS TO BE KEPT STRICTLY
CONFIDENTIAL AND NOT TO BE DISCLOSED
TO ANY OTHER PERSONS WITHOUT THE
WRITTEN PERMISSION OF SAMSUNG.

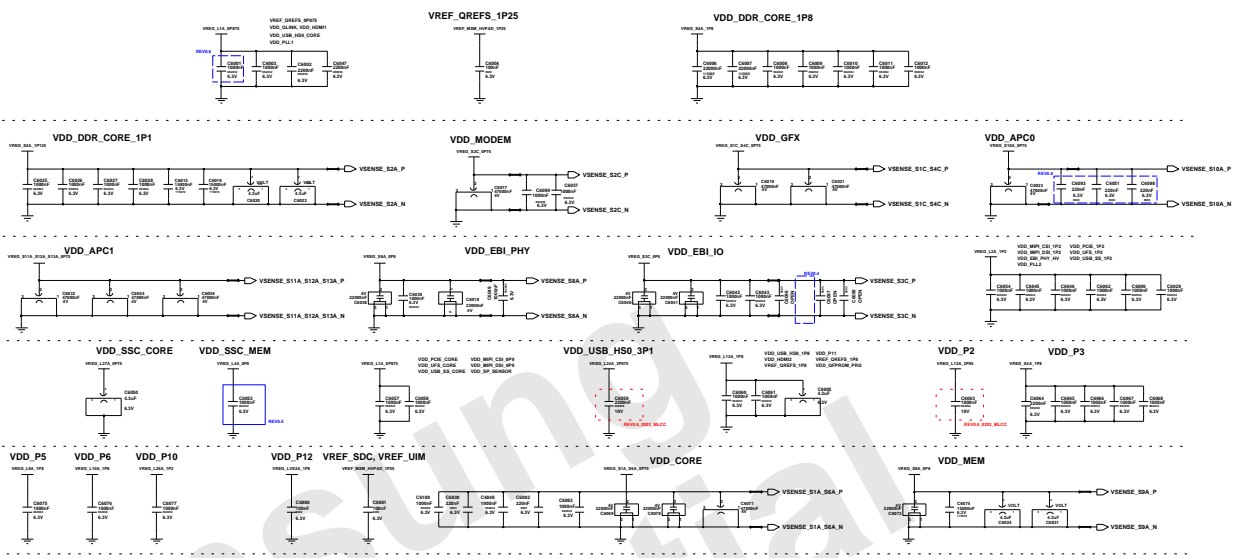


MSM8998
(POWER, GND)

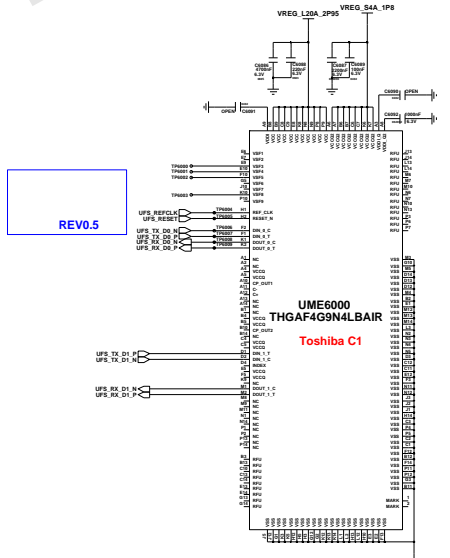
PCB JTAG
CAUTION: PLACEMENT
Near to TP_AP_USB_BOOT



REV01_ANT : JTAG UART TX/DX removed

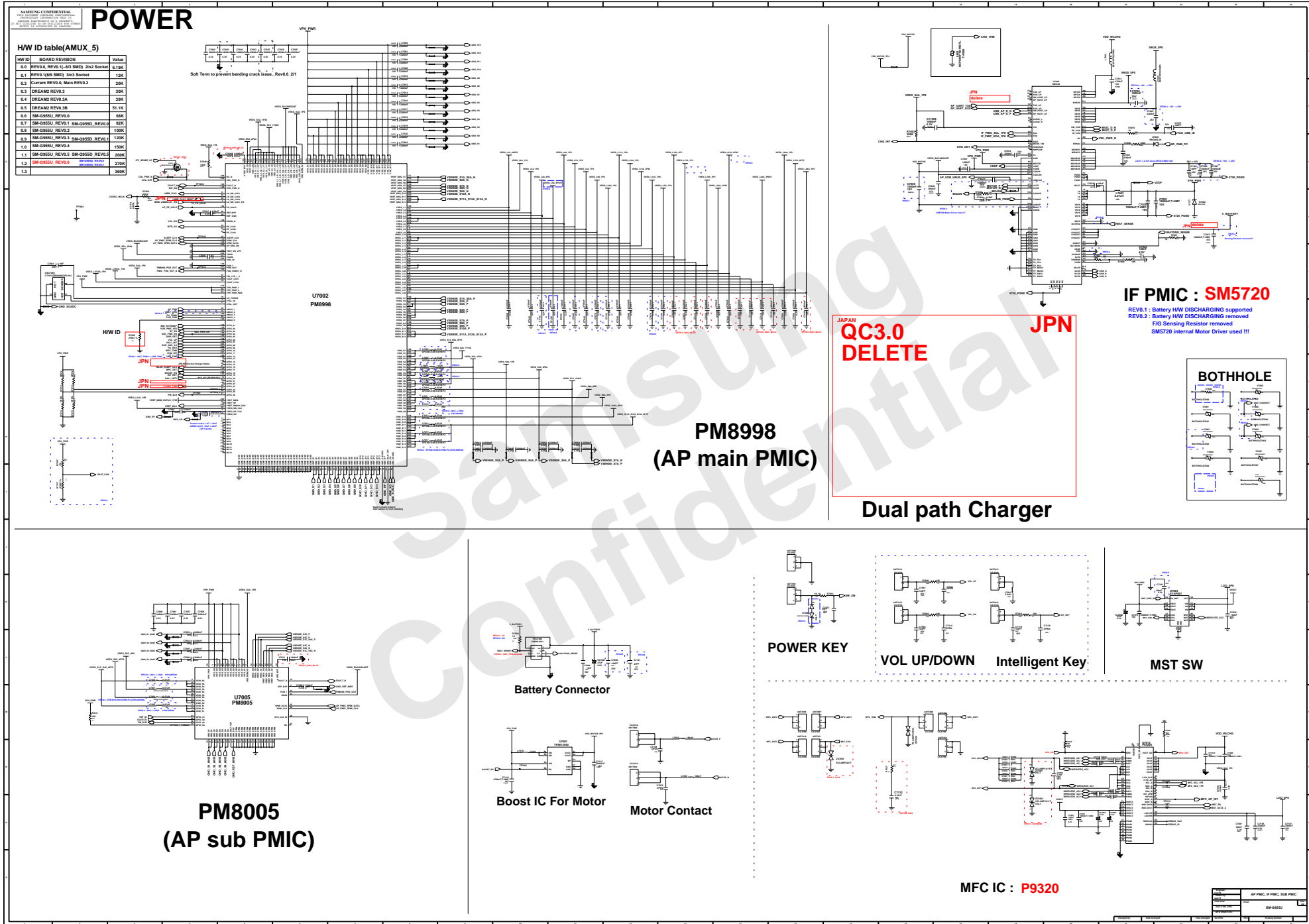


MSM8998 AP Decap



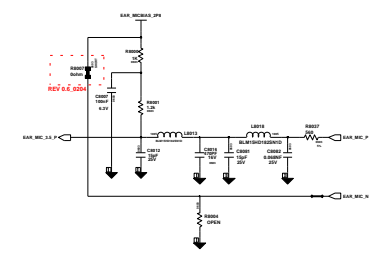
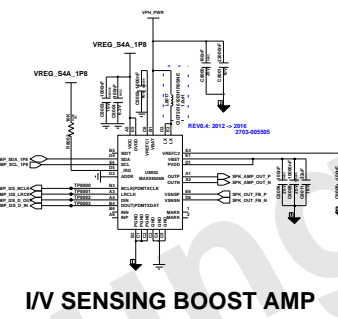
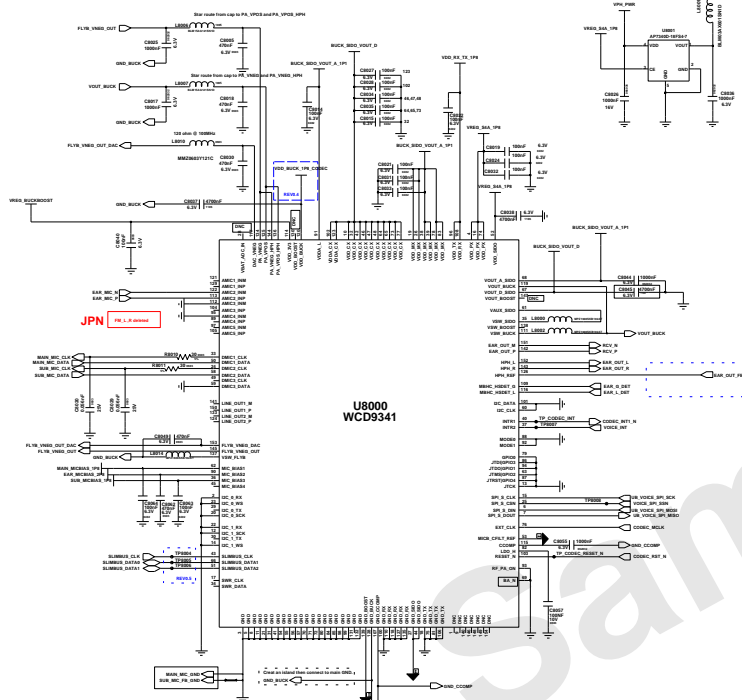
UFS 64GB(SIZE : 11.5 * 13)

Part No.	MSM8998 PWR / GNDs
Rev.	1.0
Doc. Title	SM-0555U
Doc. No.	
Rev. No.	
Page	



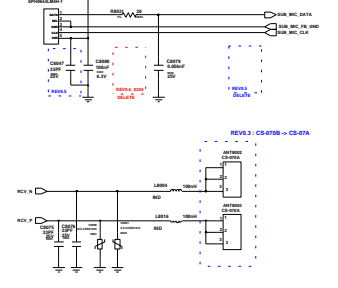
SAMSUNG CONFIDENTIAL
THIS DOCUMENT CONTAINS CONFIDENTIAL
PROPRIETARY INFORMATION THAT IS
SAMSUNG'S TRADE SECRET OR PROPRIETARY
TECHNOLOGY. IT IS TO BE KEPT
CONFIDENTIAL AND NOT DISCLOSED TO OTHERS
EXCEPT AS AUTHORIZED BY SAMSUNG.

AUDIO PART



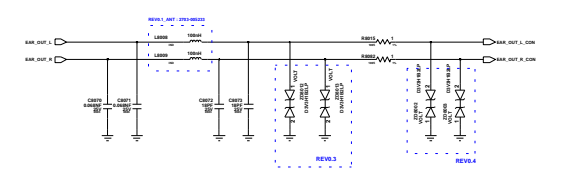
Ear MIC

2nd MIC

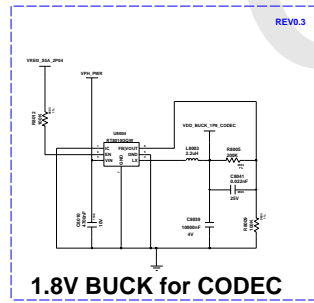


SPK CONTACT

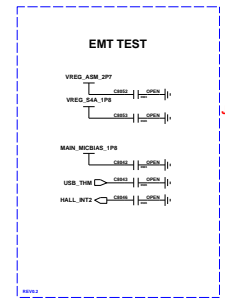
RECEIVER



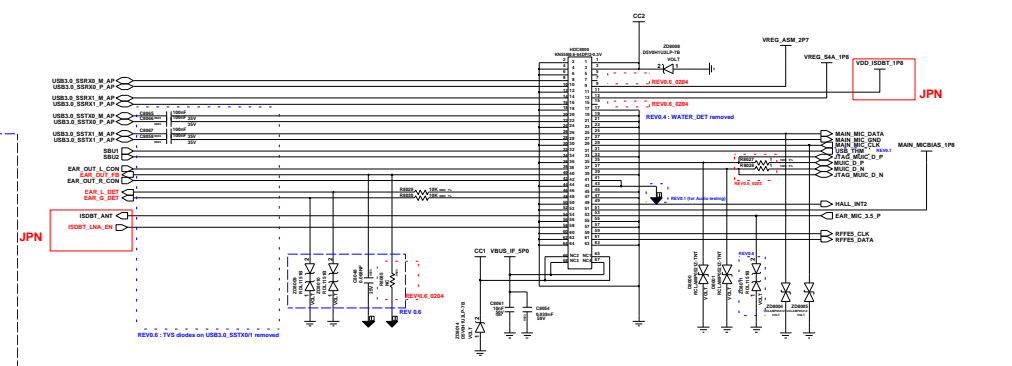
Audio Codec



1.8V BUCK for CODEC

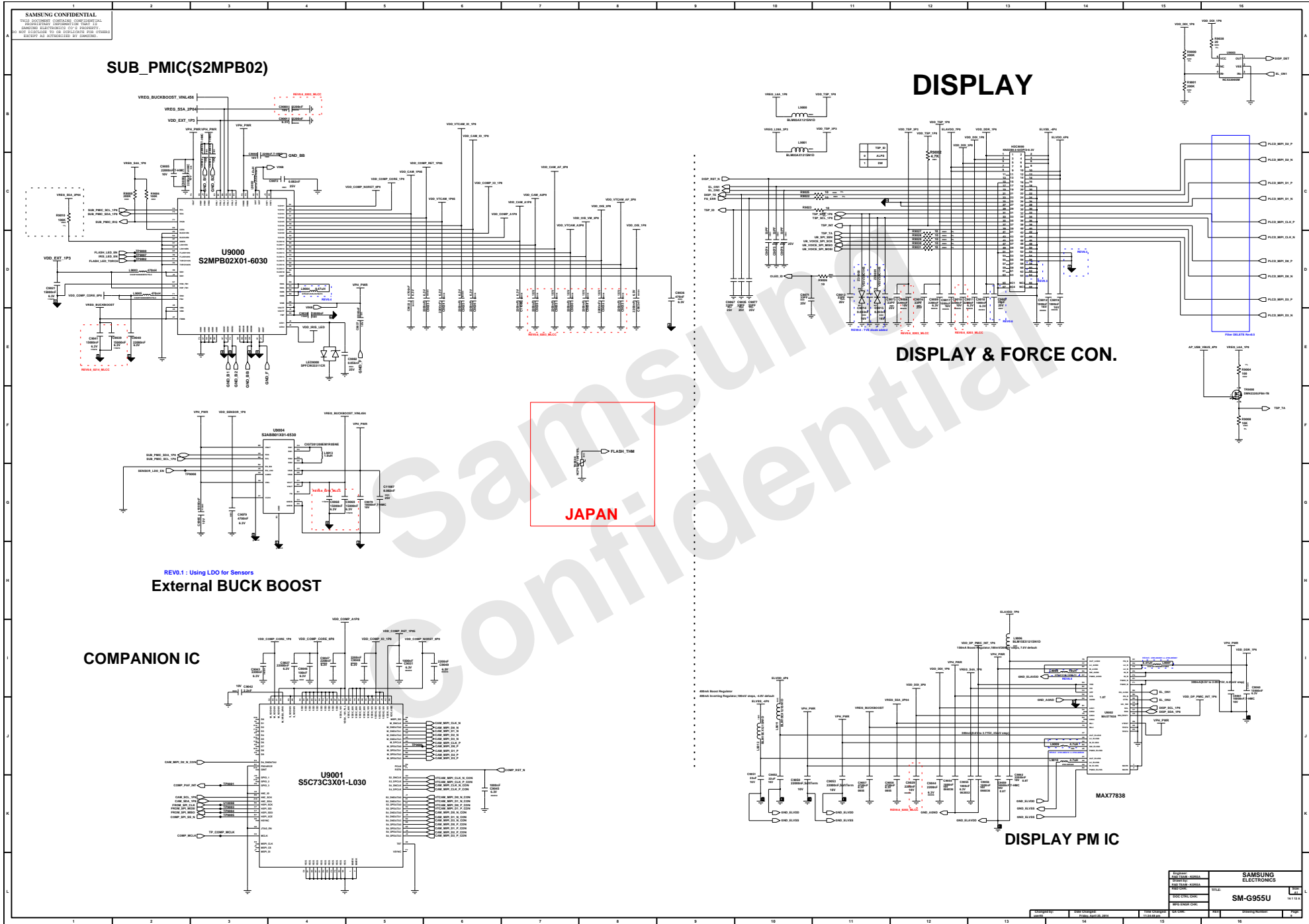


EMT TEST



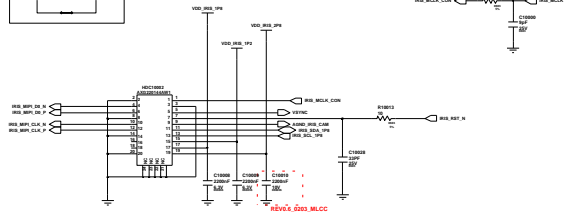
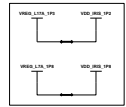
LOWER SUB PCB CON.

Part No.	AUDIO
Rev.	1.0
Doc Title Code	SM-G855U
Doc No.	SM-G855U
Doc Ver.	1.0
Doc Date	2015.08.11

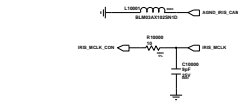


SAMSUNG CONFIDENTIAL
THIS DOCUMENT CONTAINS CONFIDENTIAL INFORMATION. INFORMATION FROM THIS DOCUMENT IS UNCLASSIFIED ONLY AS AUTHORIZED BY SAMSUNG. NO PART OF THIS DOCUMENT IS TO BE REPRODUCED OR TRANSMITTED IN ANY FORM OR BY ANY MEANS, ELECTRONIC OR MECHANICAL, INCLUDING PHOTOCOPYING, RECORDING, OR BY ANY INFORMATION STORAGE AND RETRIEVAL SYSTEM, WITHOUT PERMISSION IN WRITING FROM SAMSUNG.

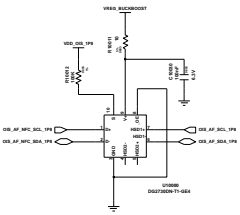
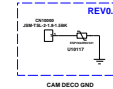
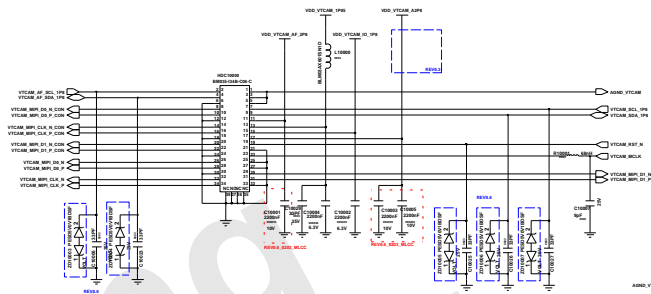
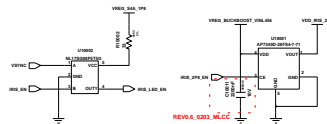
10. VISUAL PART (2/2)



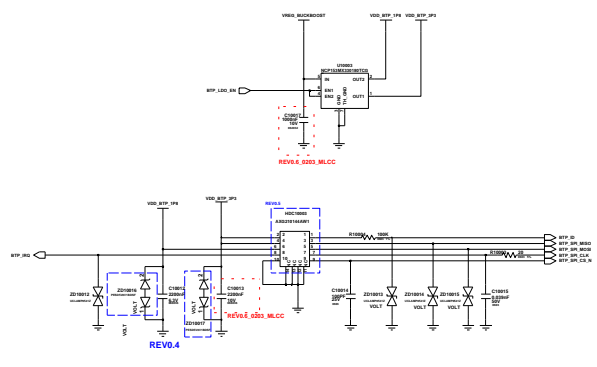
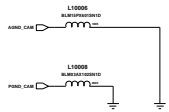
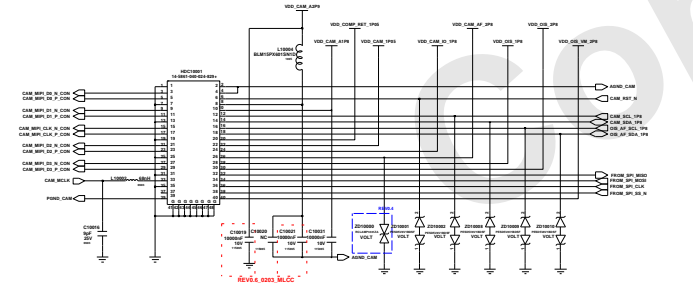
IRIS_CONNECTOR



FRONT_CAMERA_CON.



MAIN_CAMERA_CONNECTOR



Finger Print Sensor connector



Project Name	SAMSUNG ELECTRONICS		
Doc No	TITLE		
Doc Title	SM-G955U		
Doc Date	REV	ISSUE	DATE
1.0	1	1	14.11.14
2.0	1	1	14.11.14
3.0	1	1	14.11.14
4.0	1	1	14.11.14
5.0	1	1	14.11.14
6.0	1	1	14.11.14
7.0	1	1	14.11.14
8.0	1	1	14.11.14
9.0	1	1	14.11.14
10.0	1	1	14.11.14
11.0	1	1	14.11.14
12.0	1	1	14.11.14
13.0	1	1	14.11.14
14.0	1	1	14.11.14
15.0	1	1	14.11.14
16.0	1	1	14.11.14

