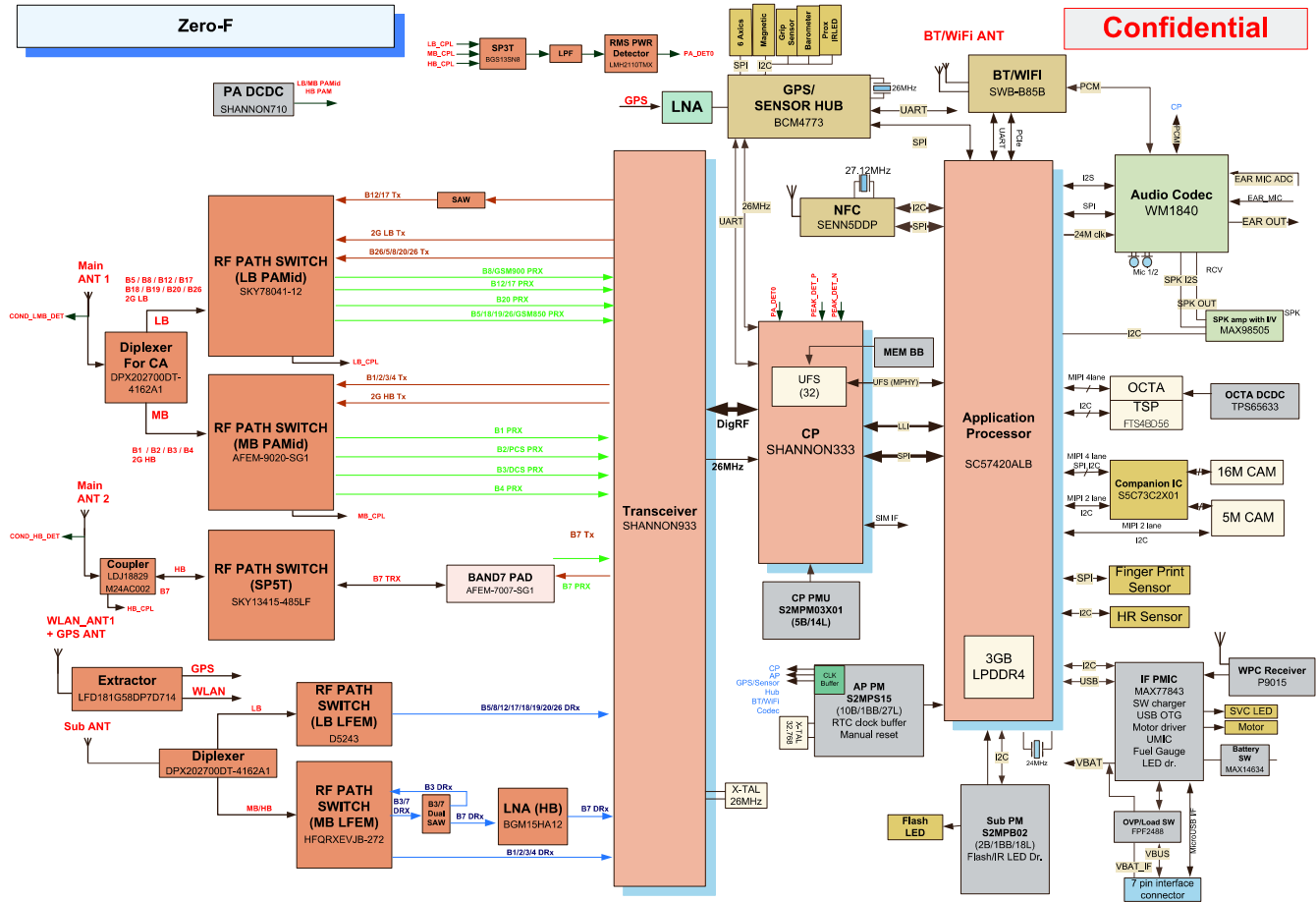
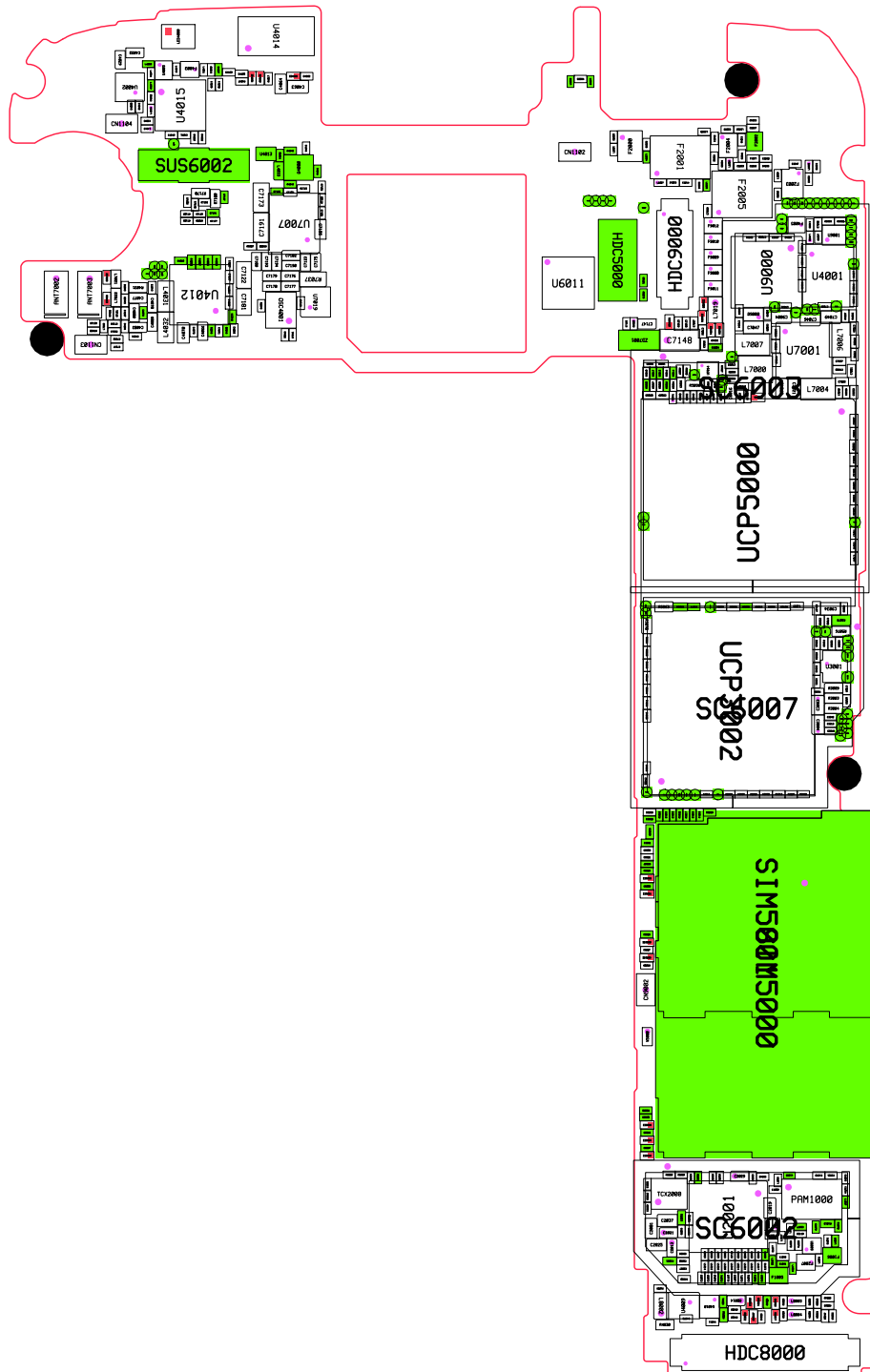


8. Level 3 Repair

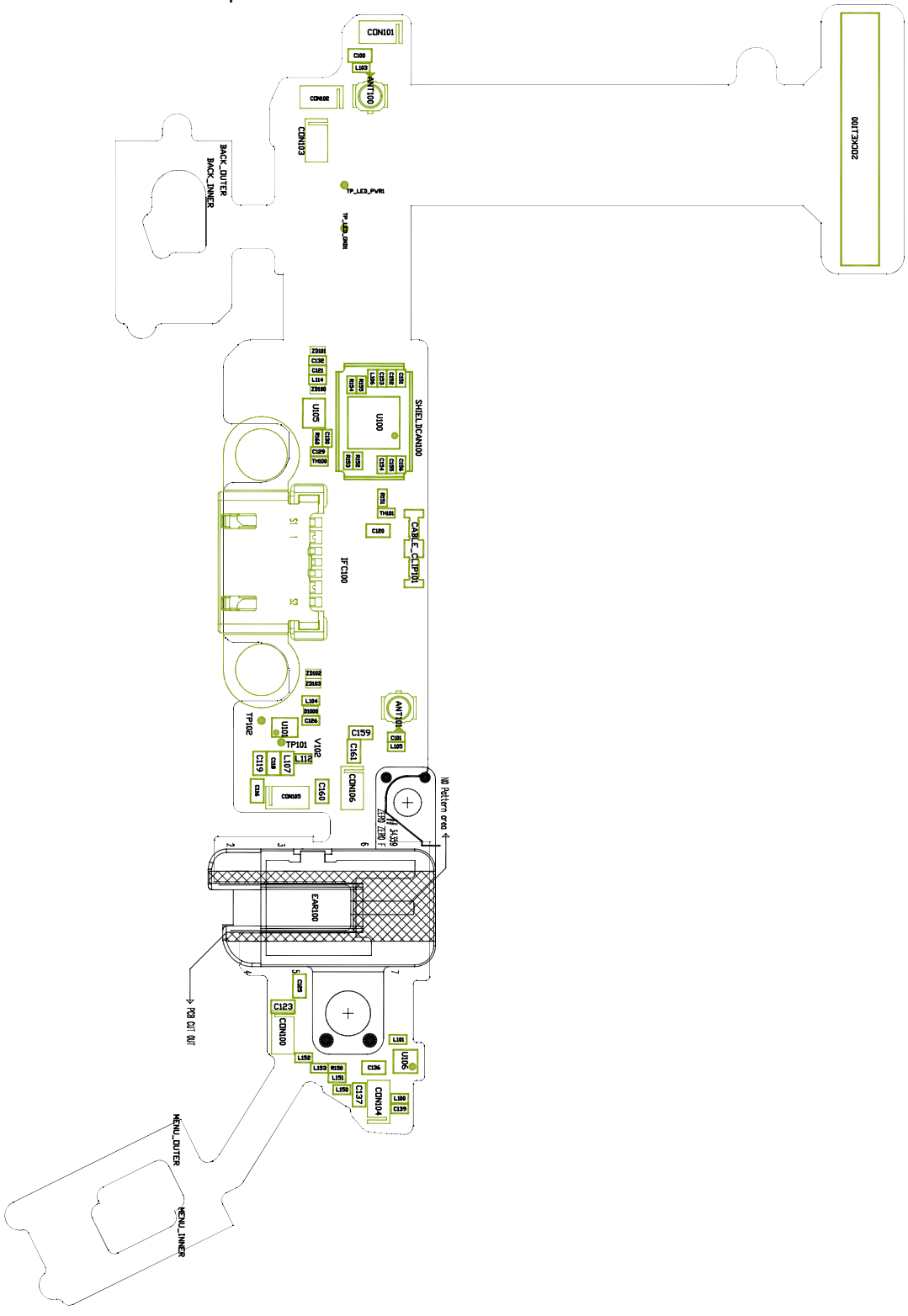
8-1. Block Diagram



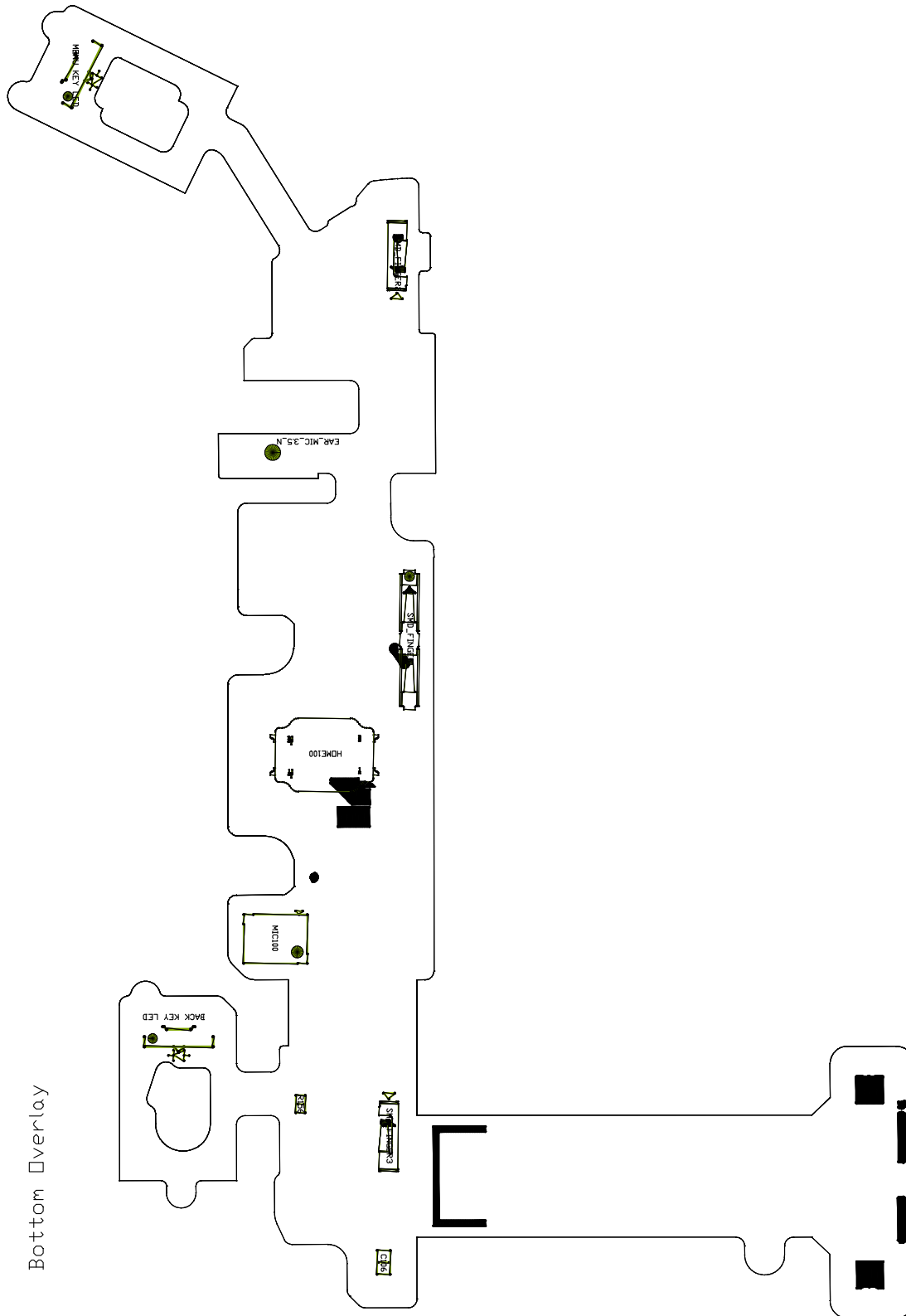
8-2-2. Bottom



8-2-3. Sub PBA Top



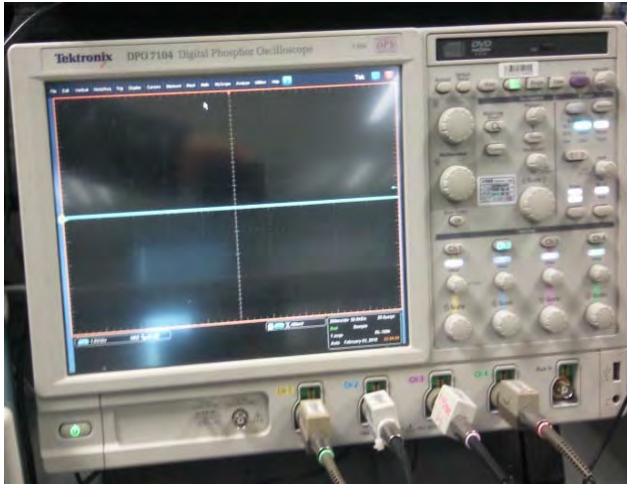
8-2-3. Sub PBA Bottom



Bottom Overlay

8-3. Flow Chart of Troubleshooting

Equipments



↑ Oscilloscope



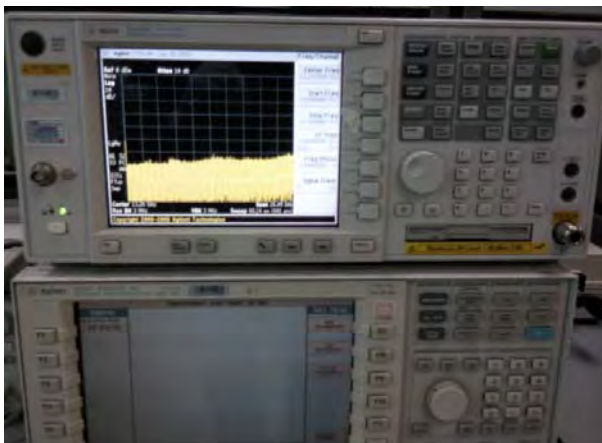
↑ Digital Multimeter



↑ Power Supply



↑ + driver, ESD Safe Tweezer

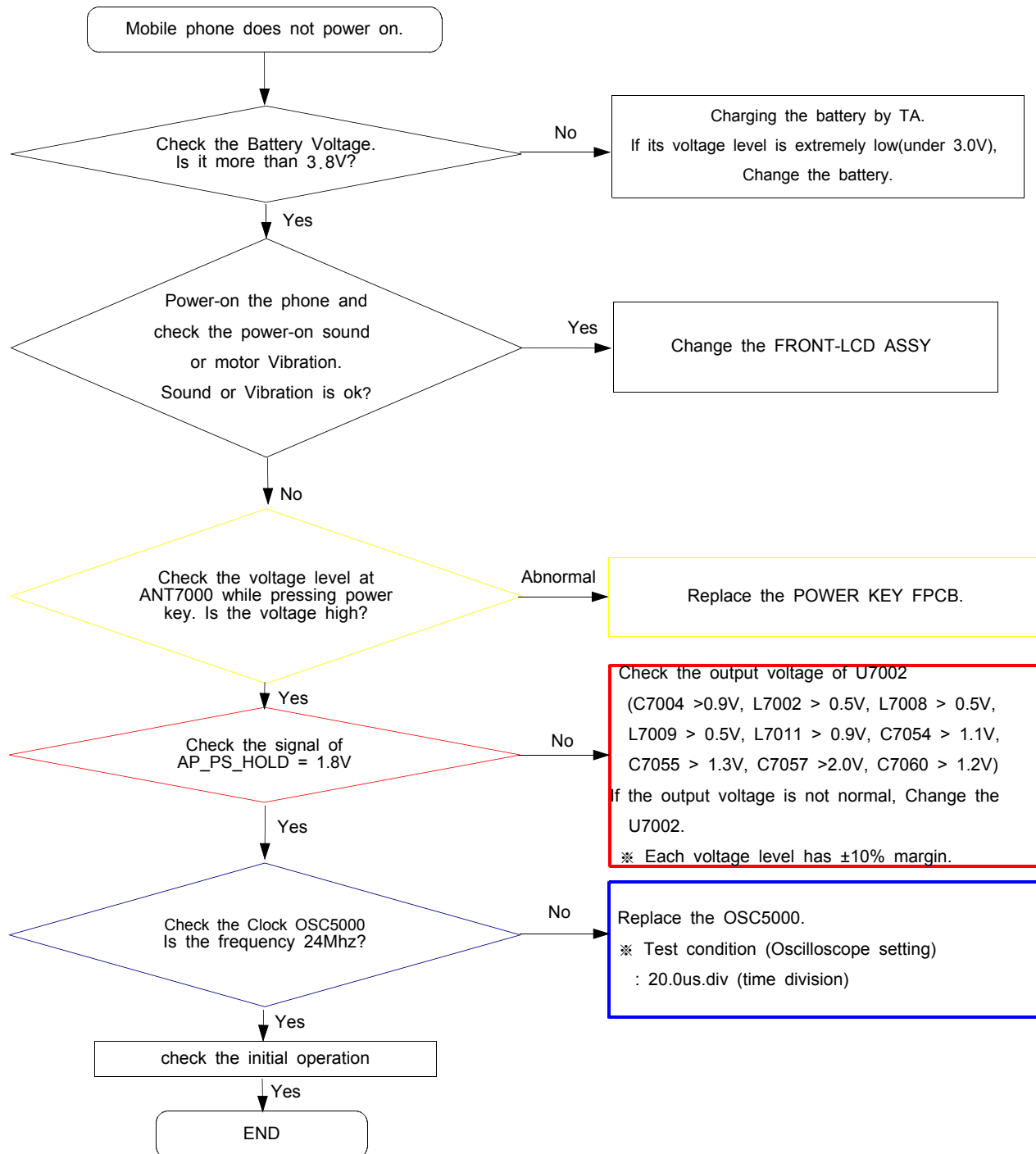


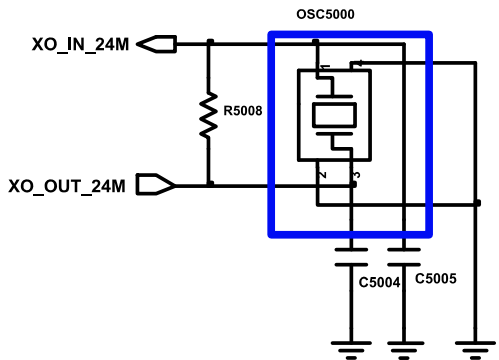
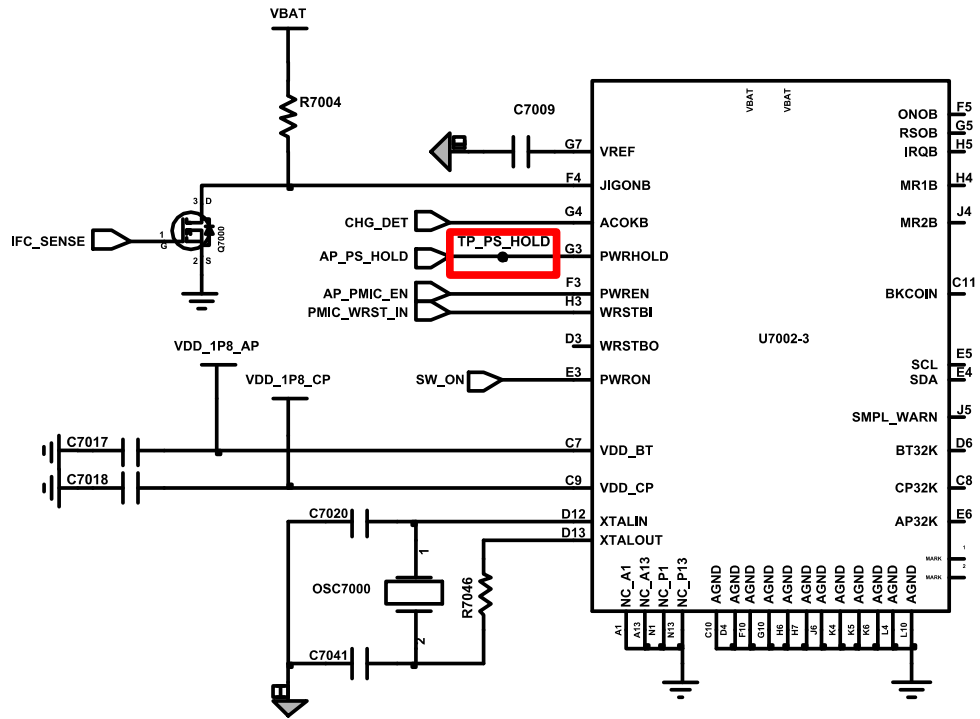
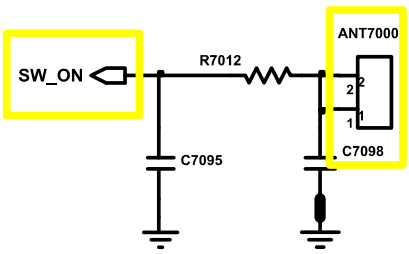
↑ 8960 & Spectrum Analyzer



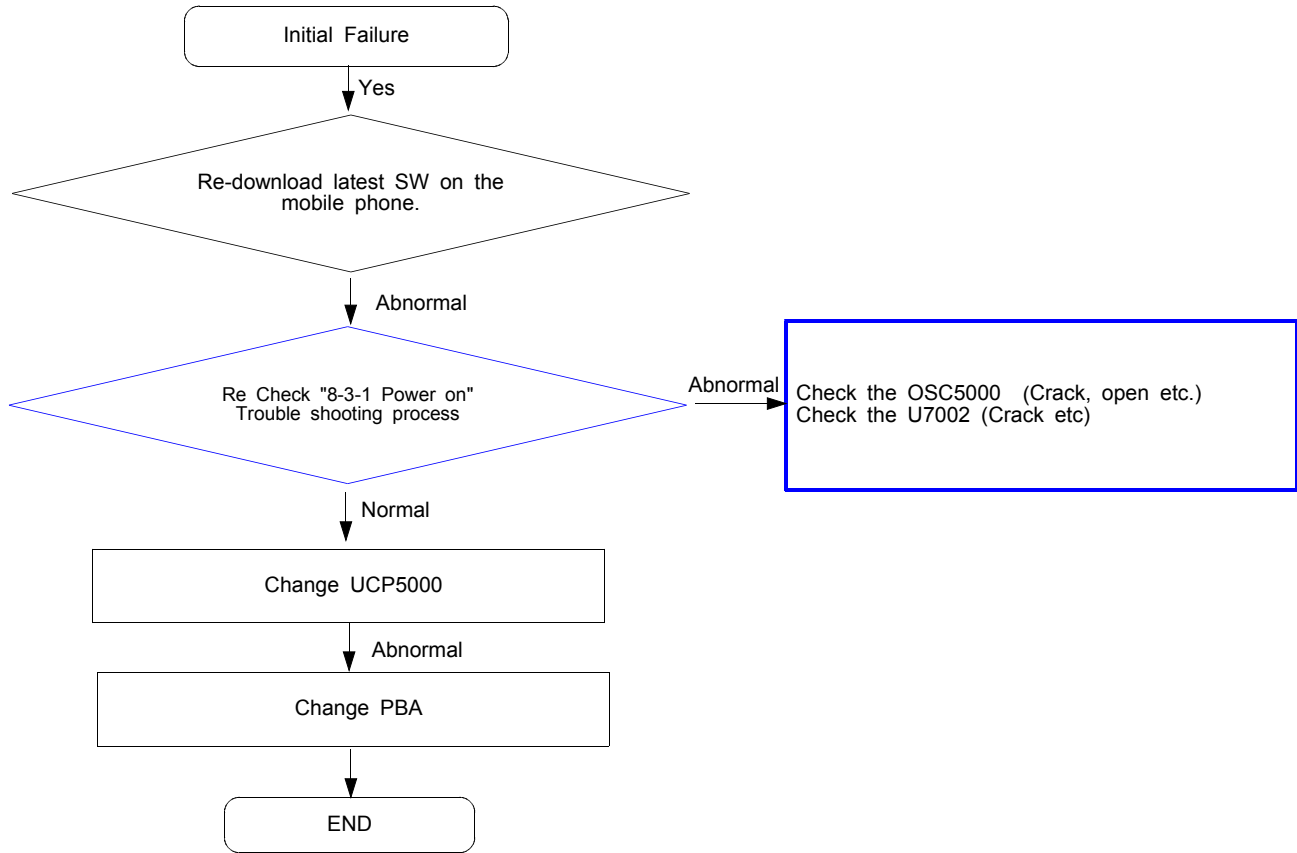
↑ Soldering iron

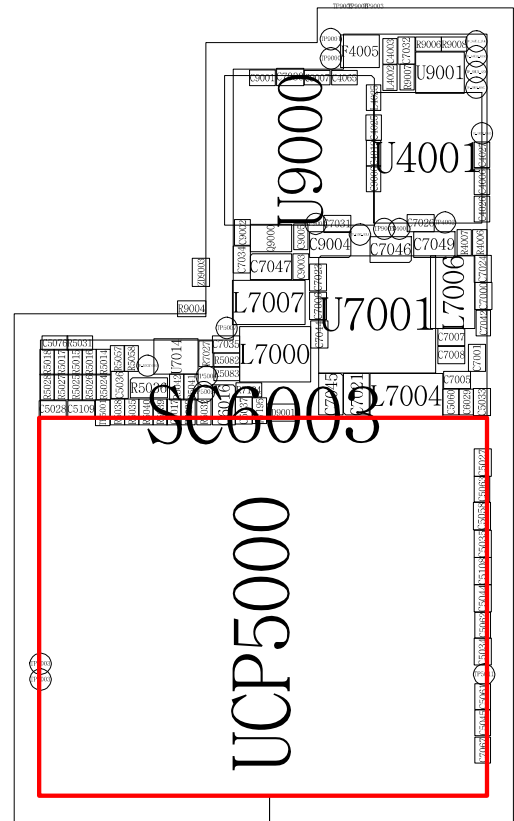
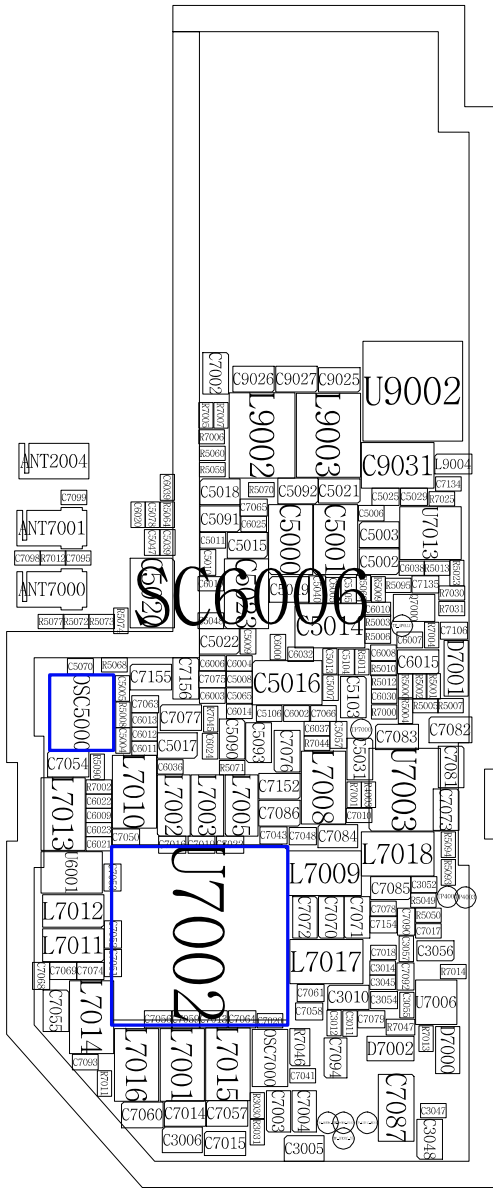
8-3-1. Power On



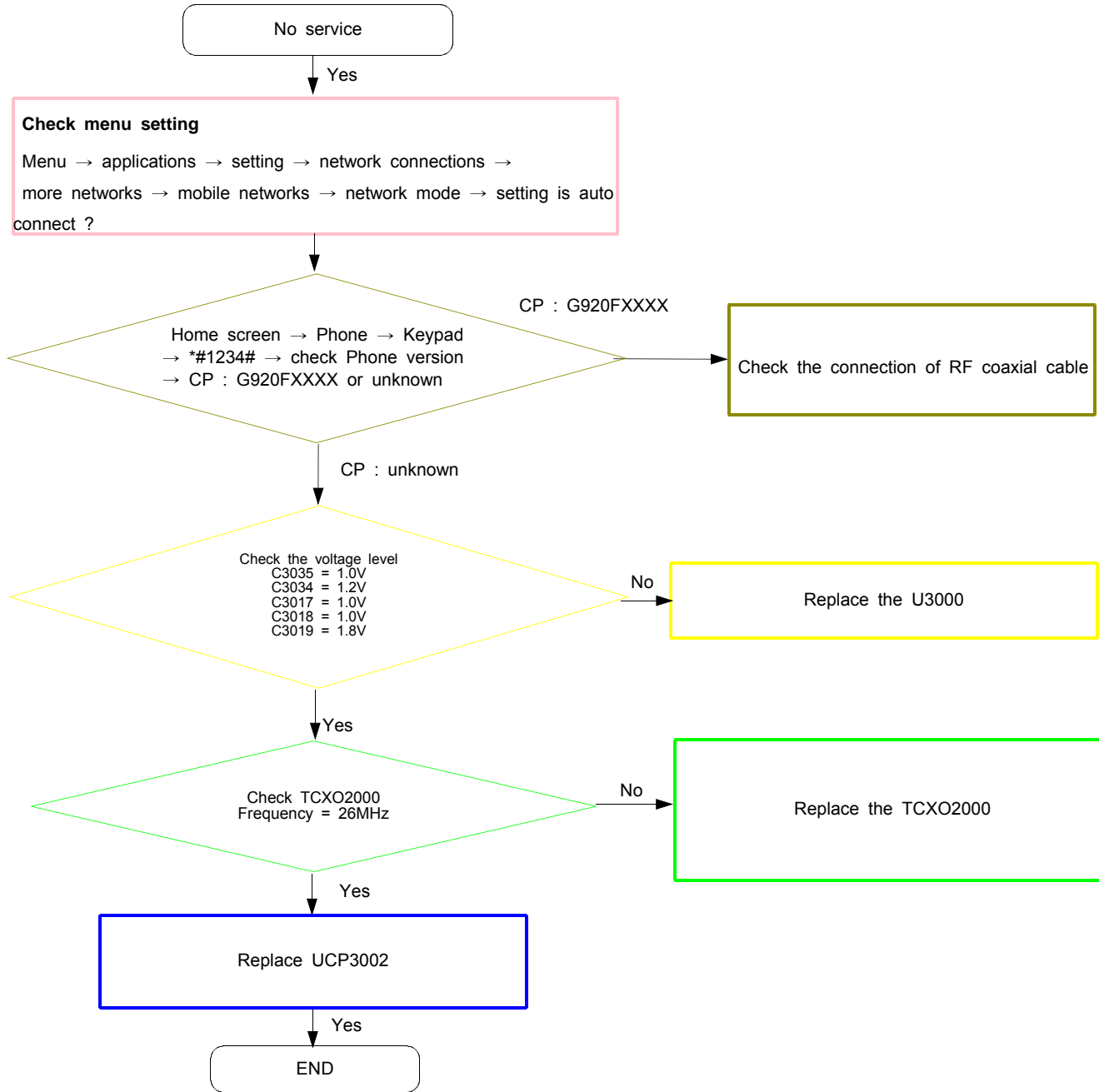


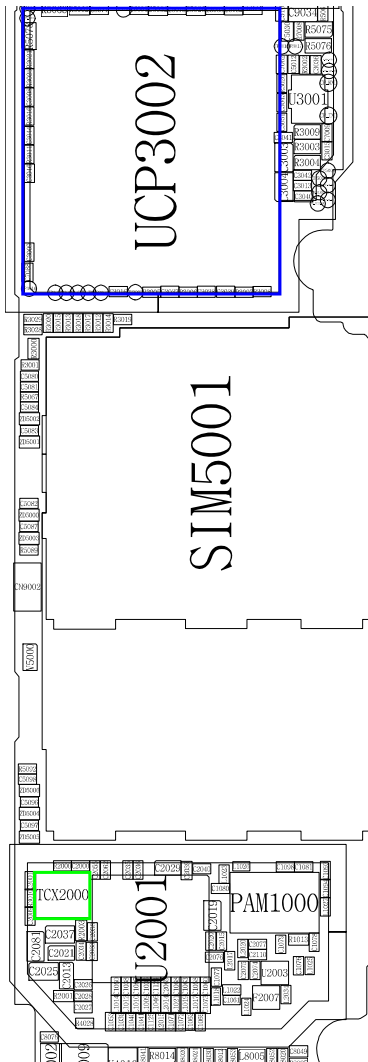
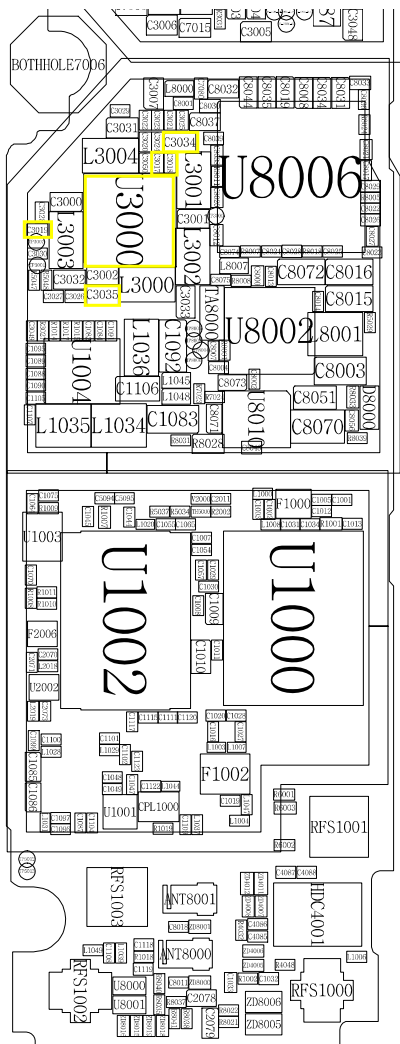
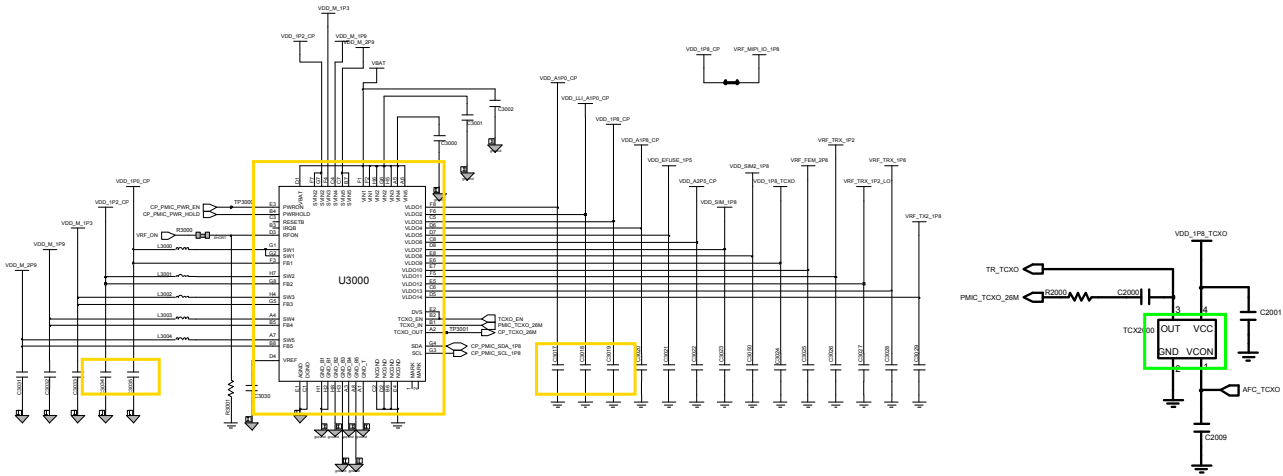
8-3-2. Initial



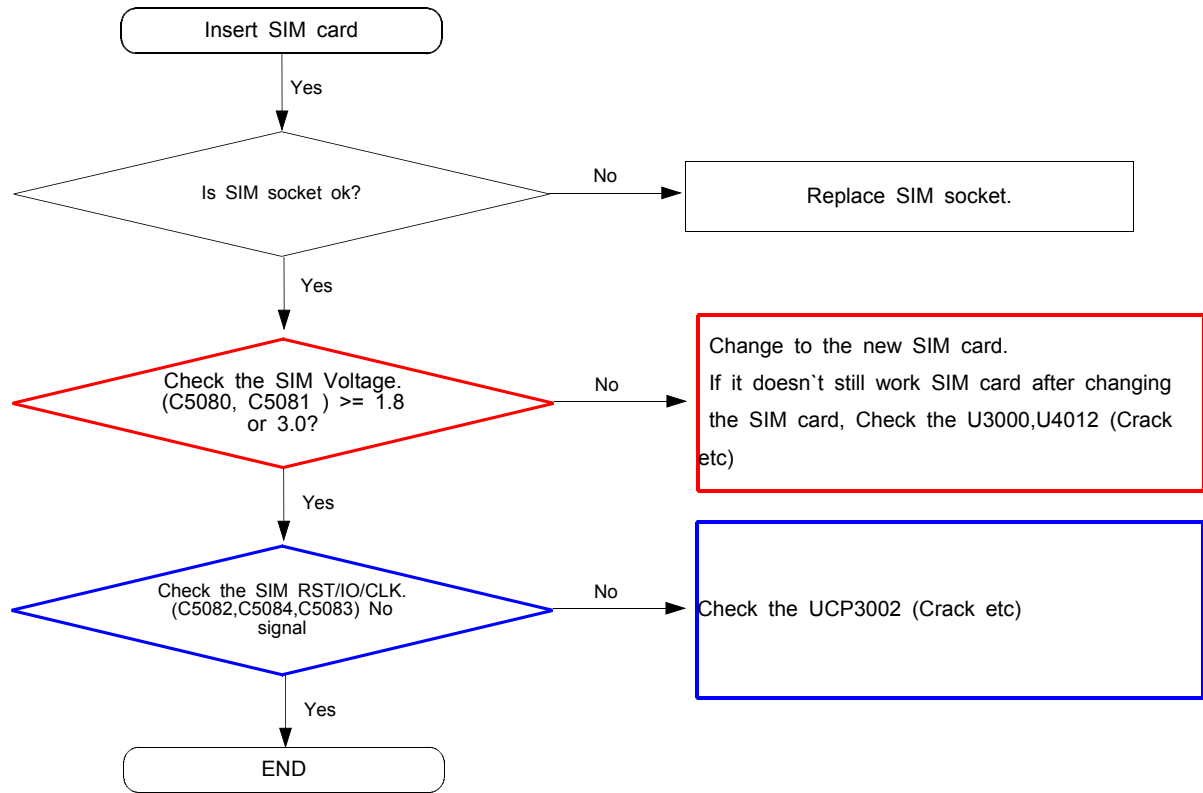


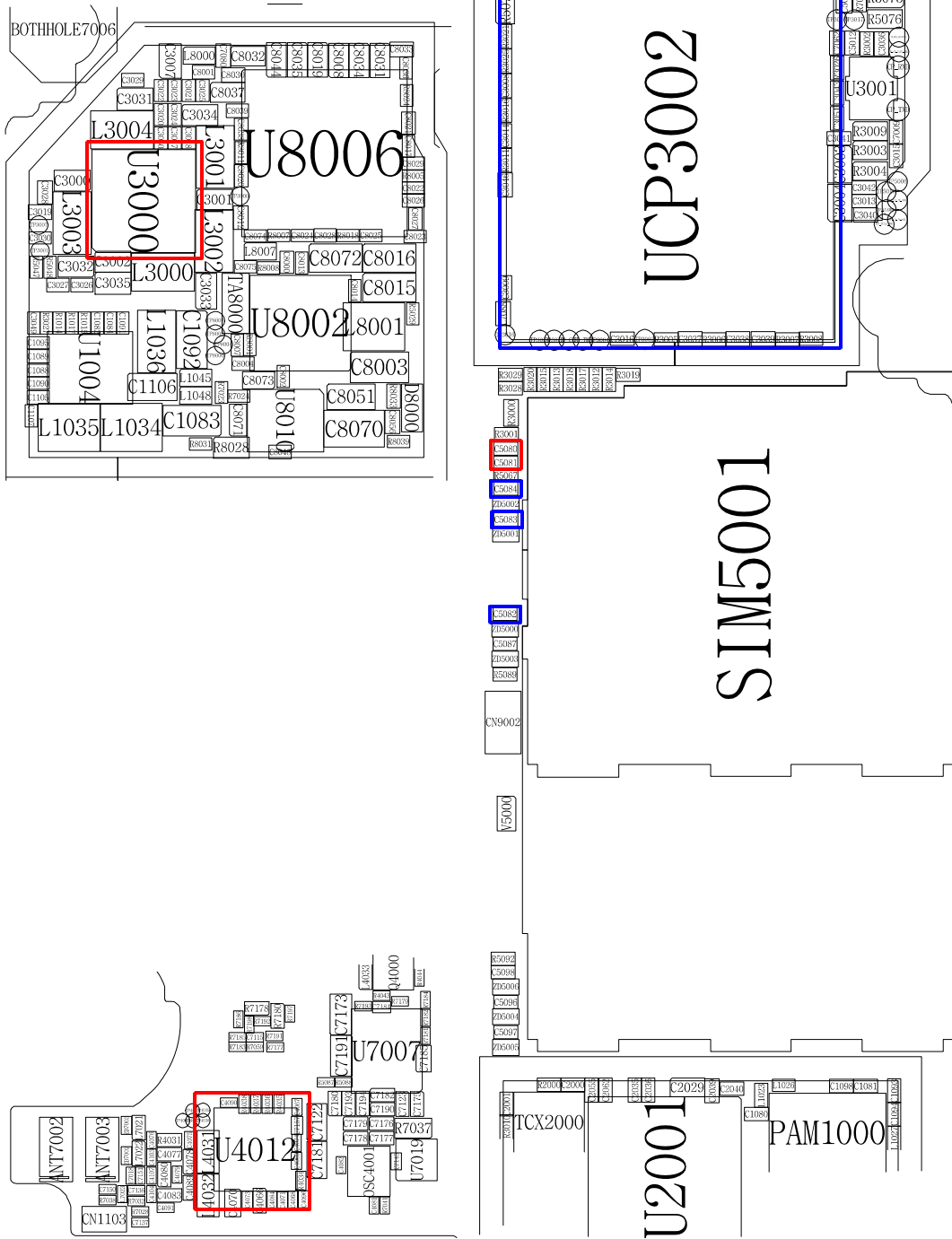
8-3-3. No Service



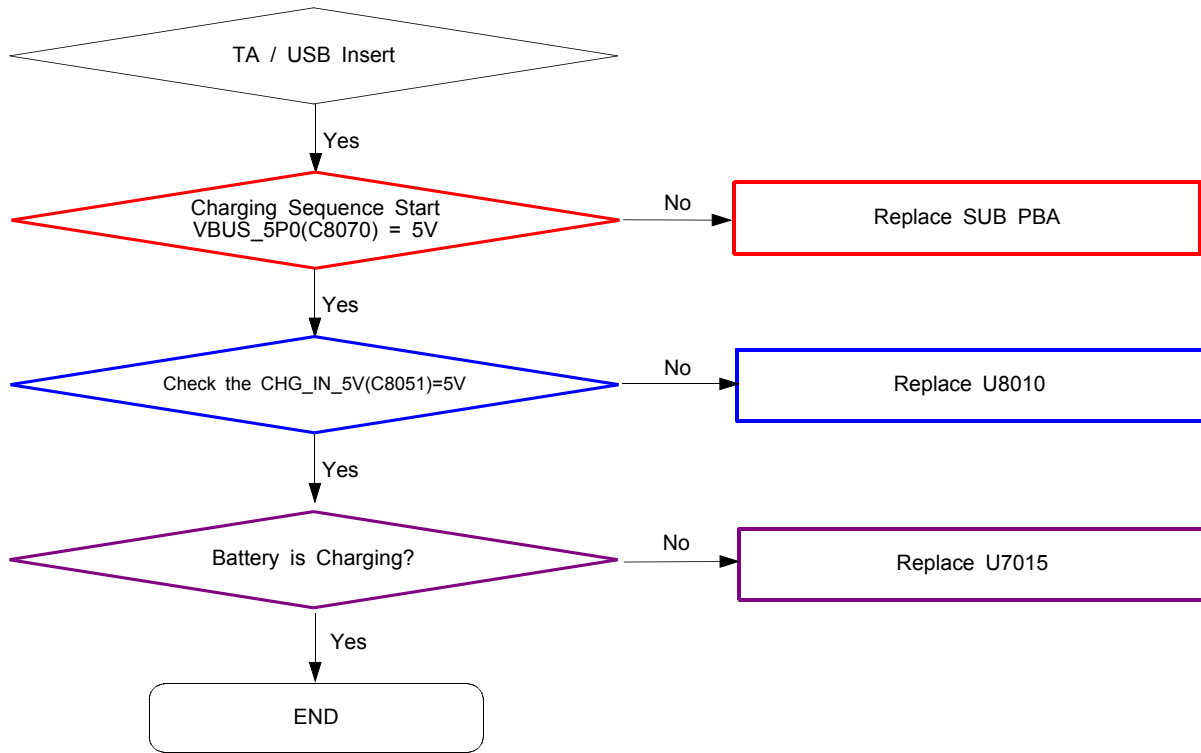


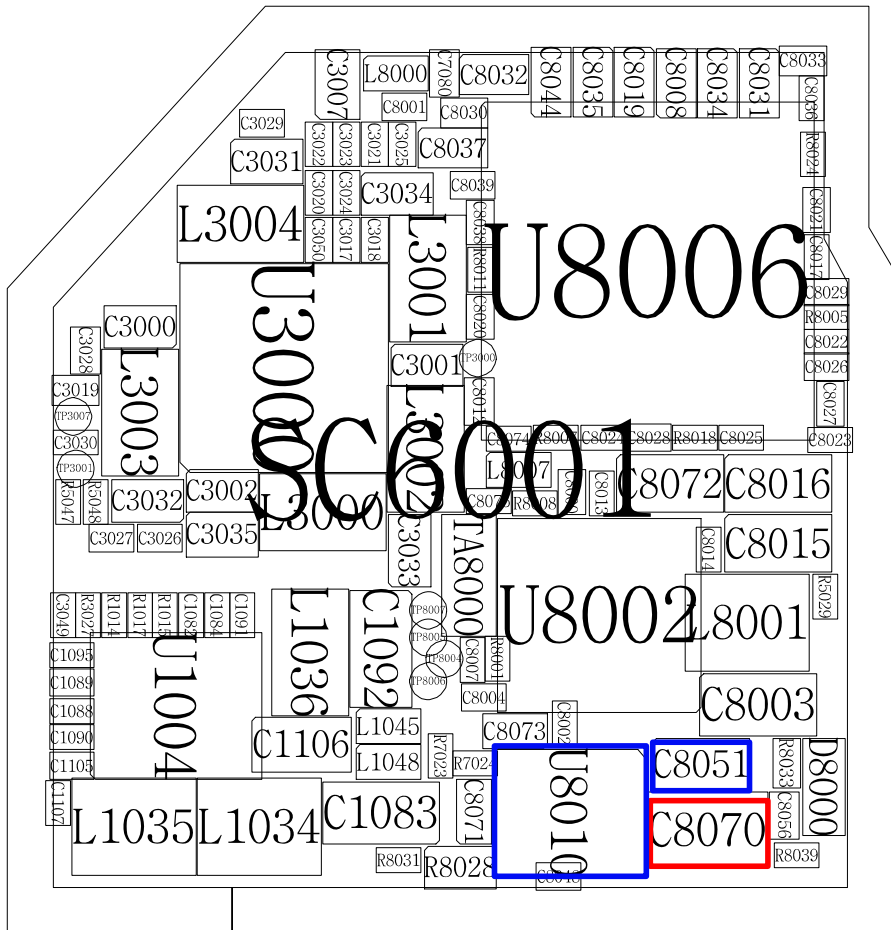
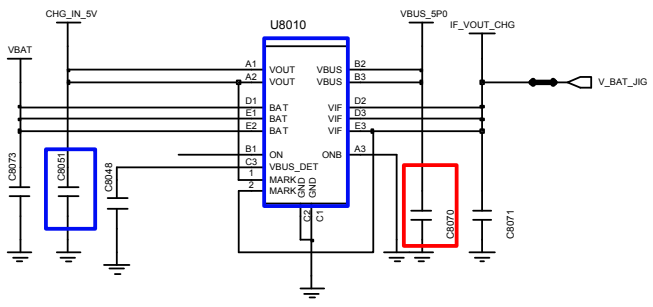
8-3-4. Sim Part



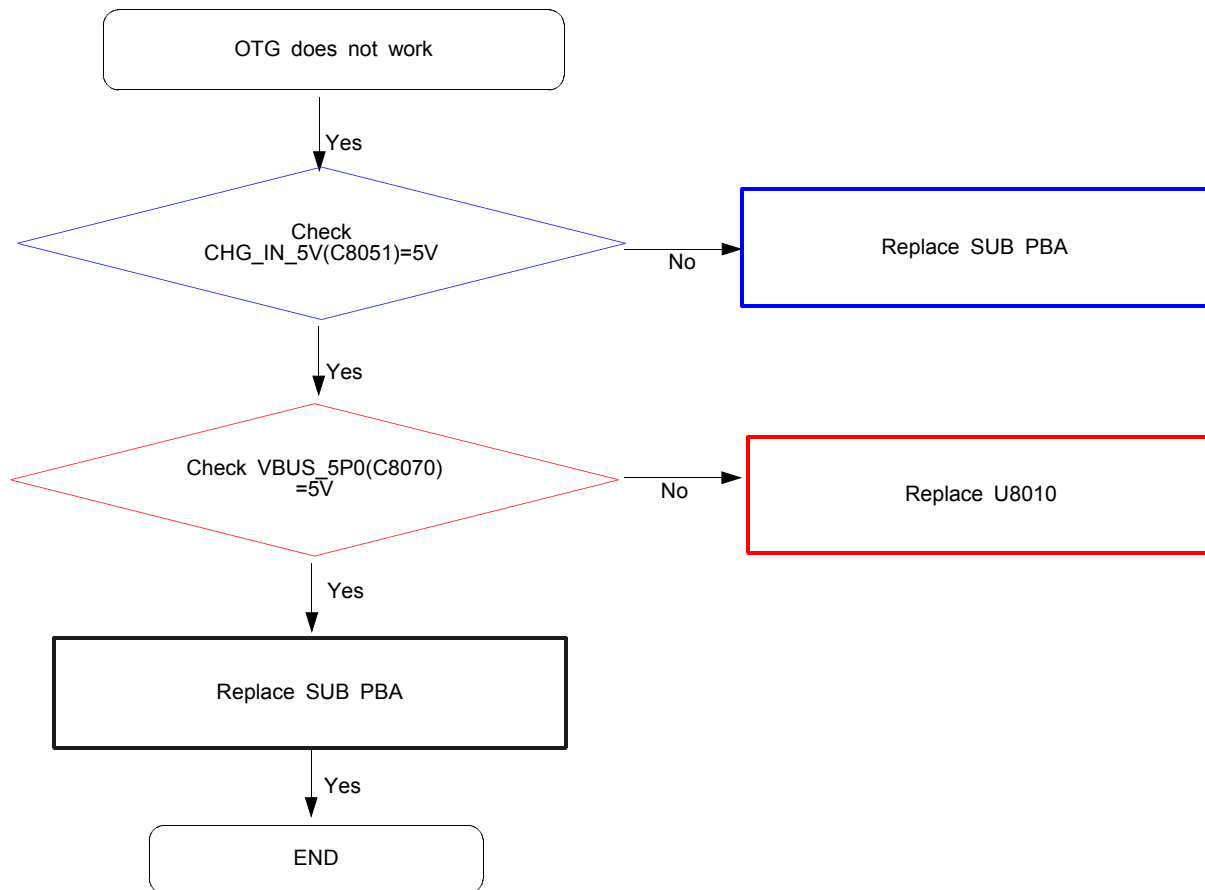


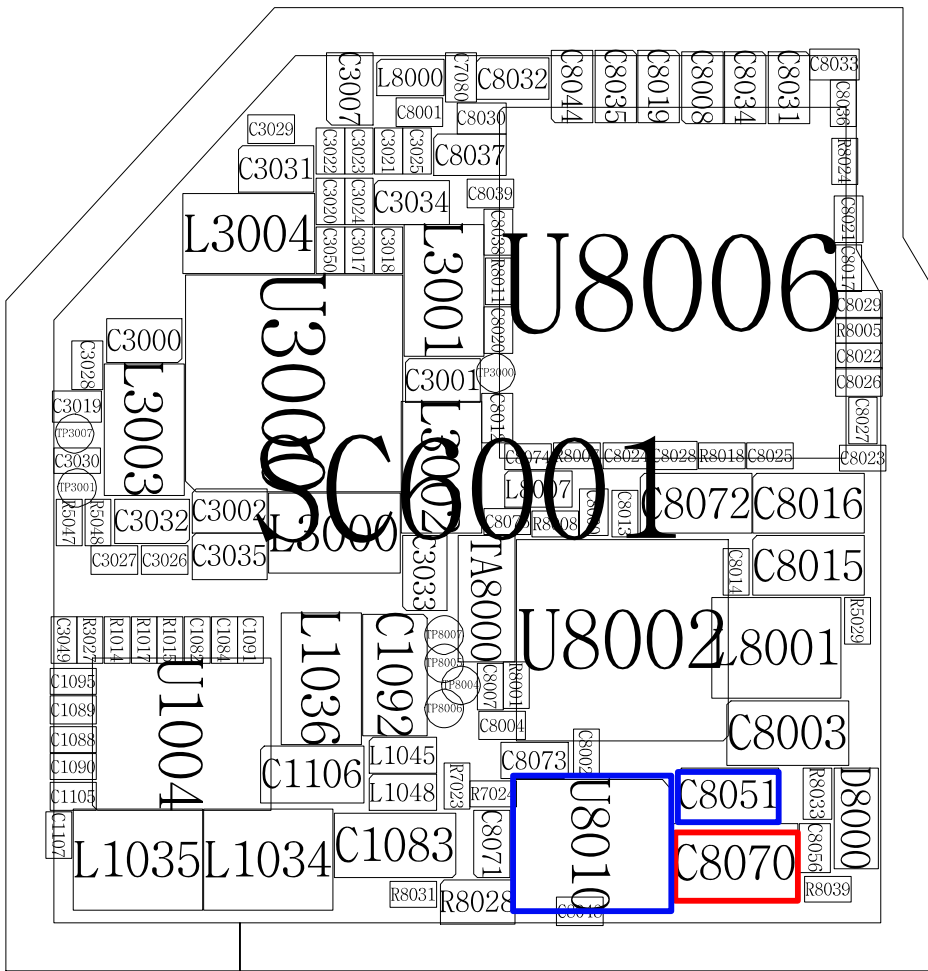
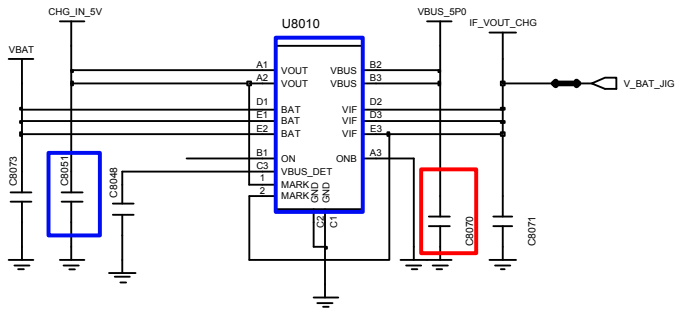
8-3-5. Charging Part



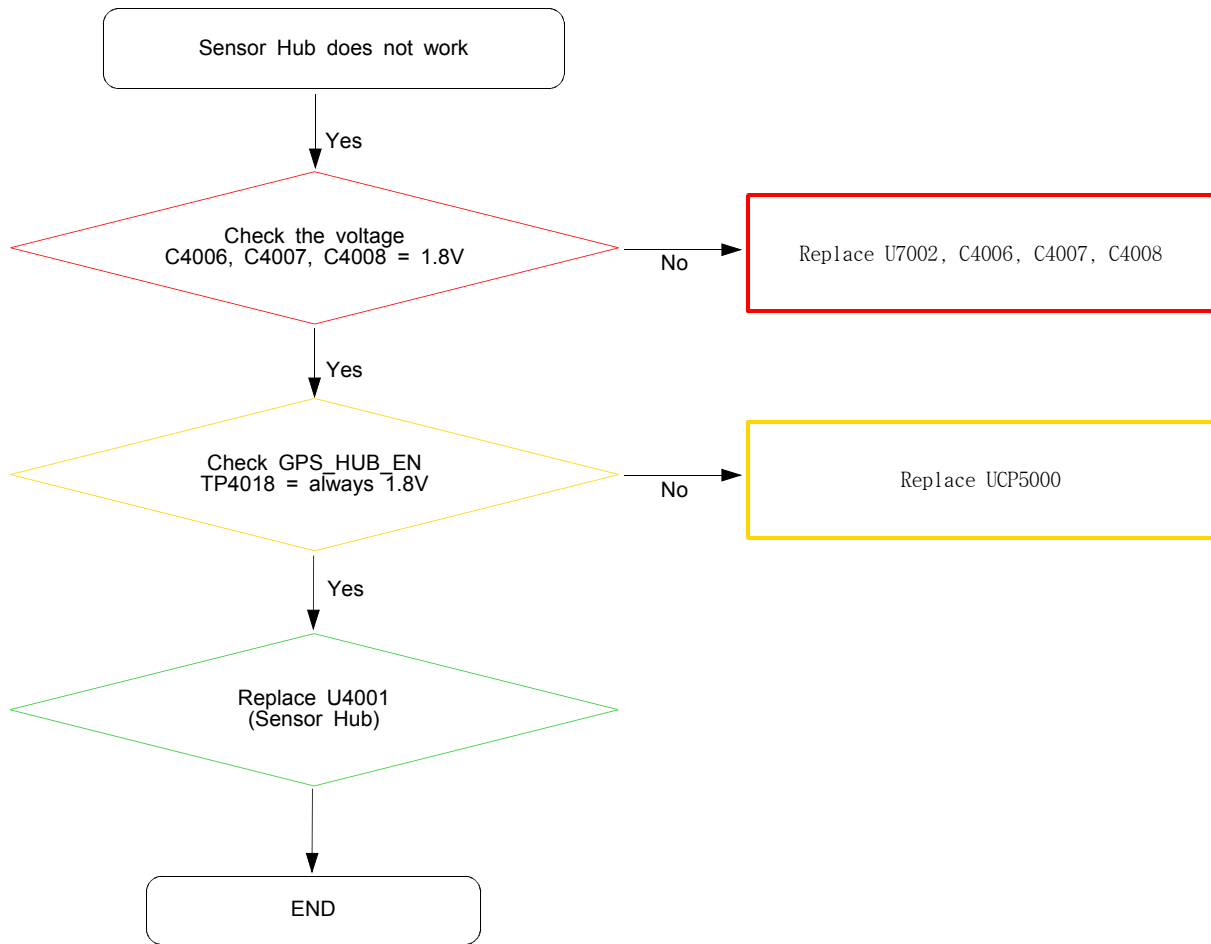


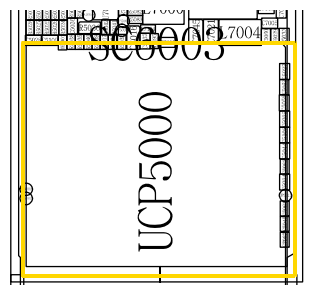
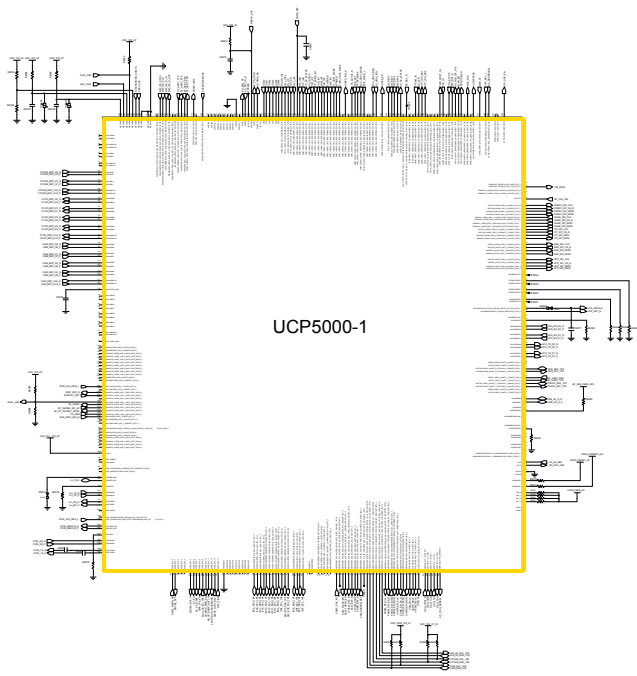
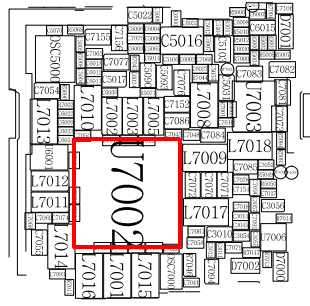
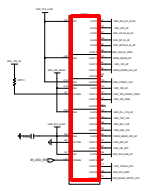
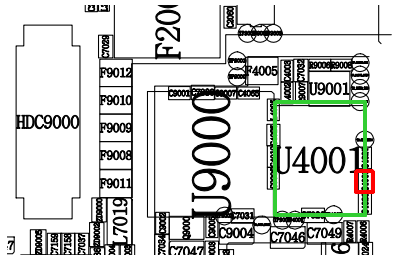
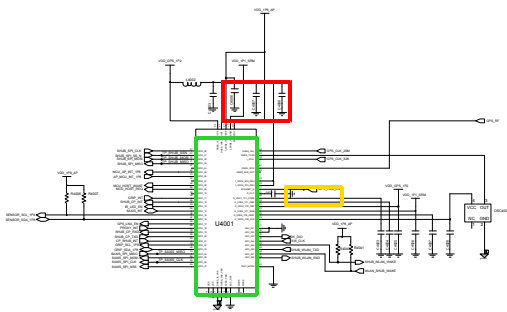
8-3-6. OTG



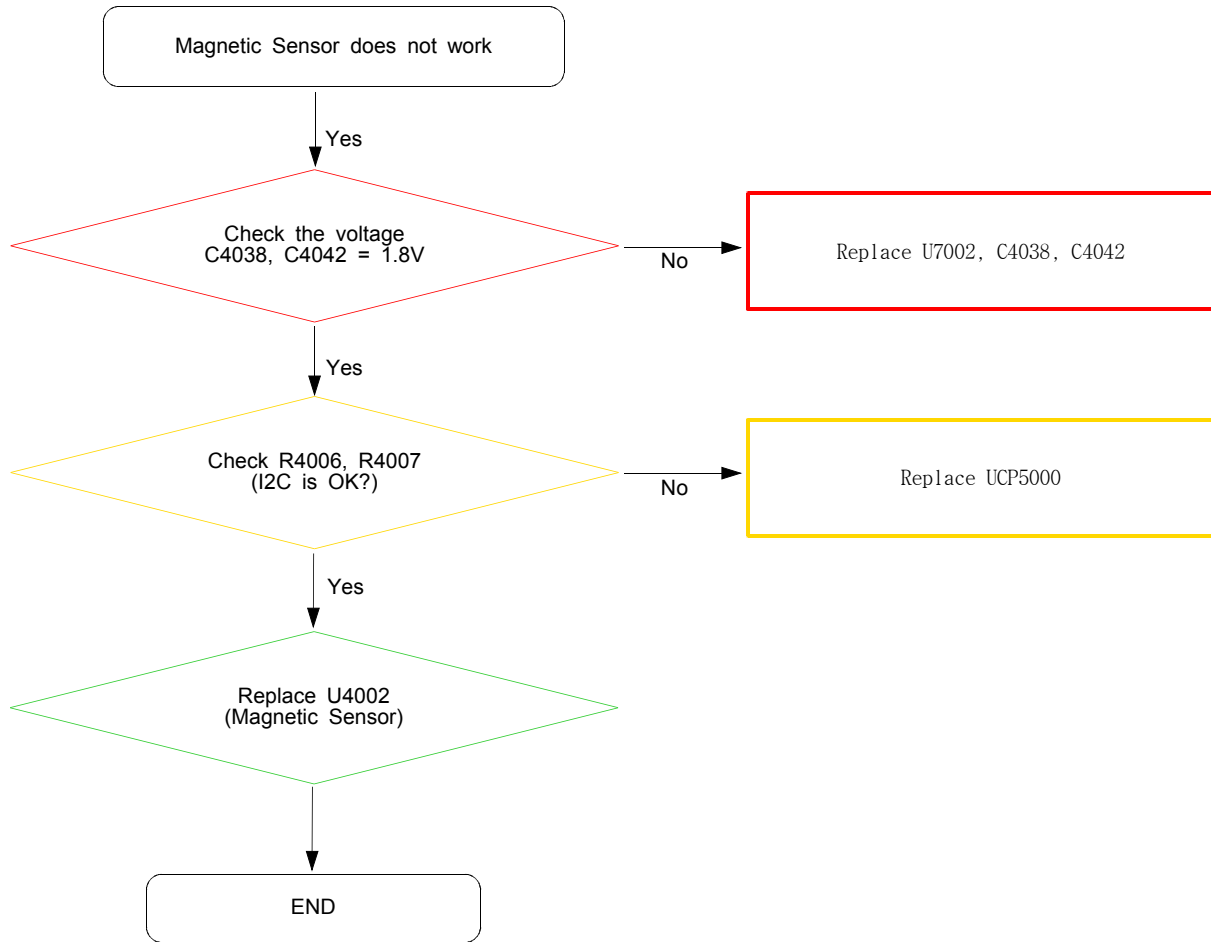


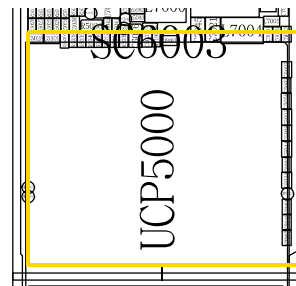
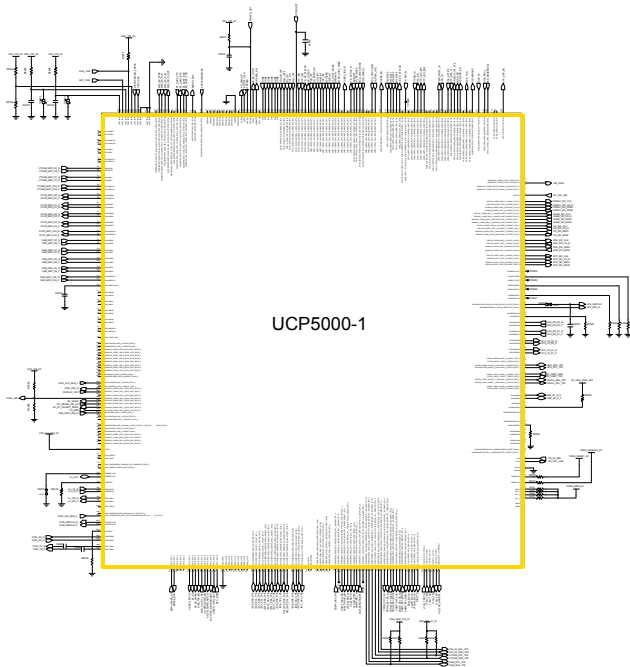
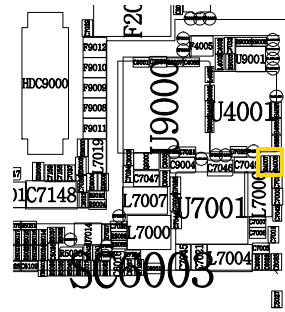
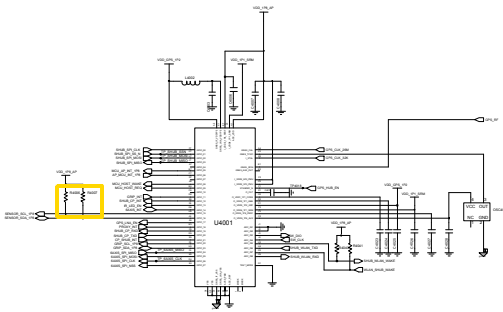
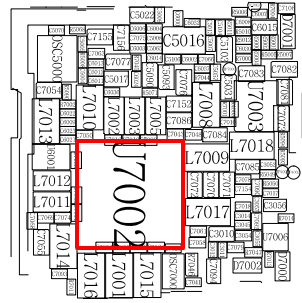
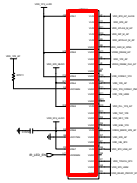
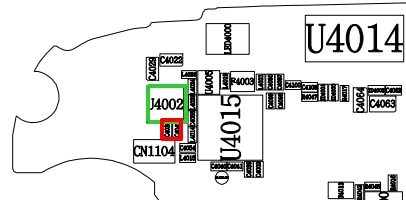
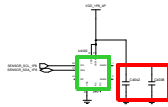
8-3-7. Sensor Hub



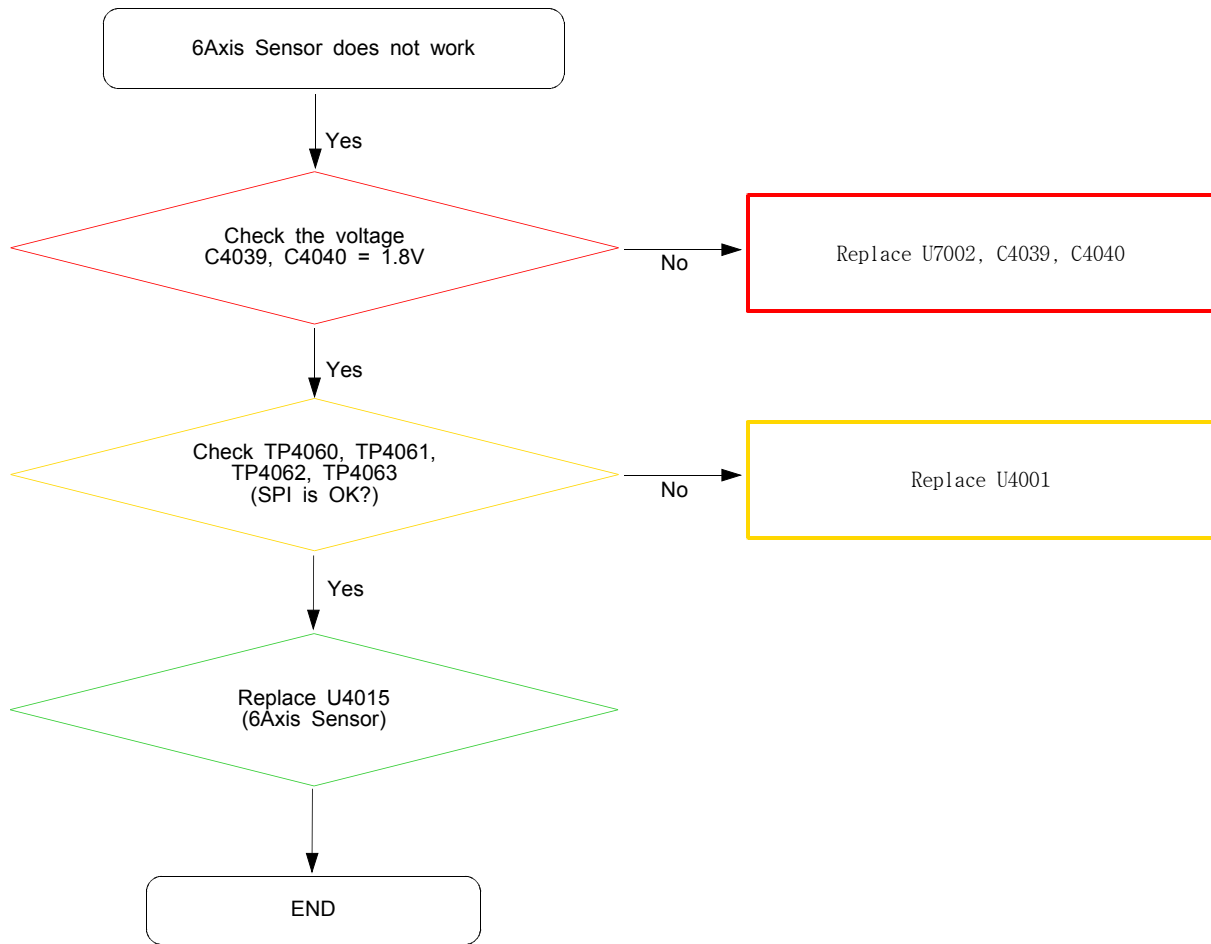


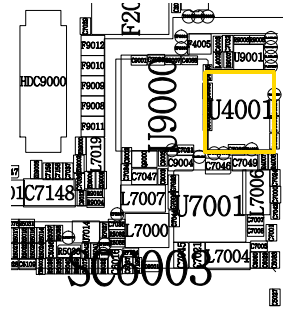
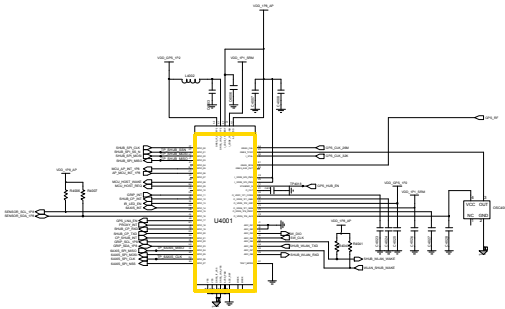
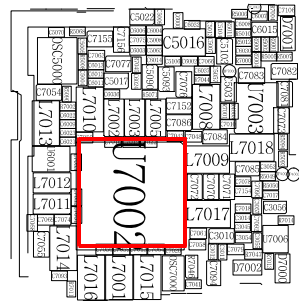
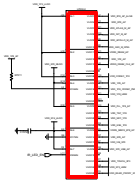
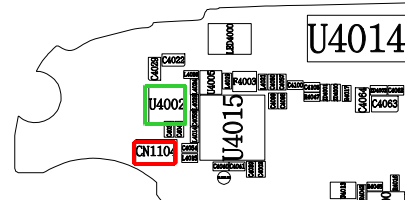
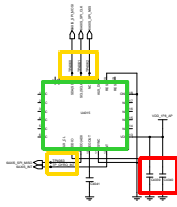
8-3-7-2. Magnetic Sensor



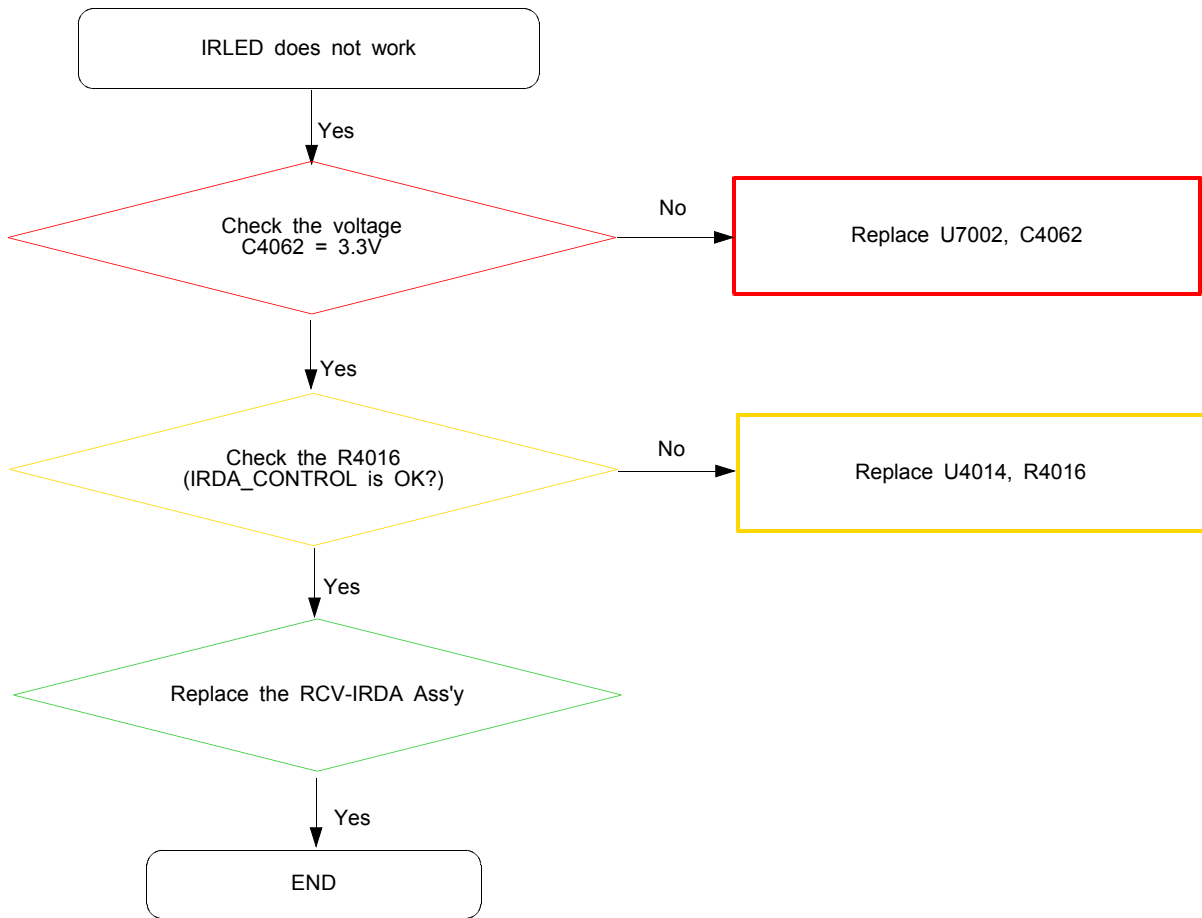


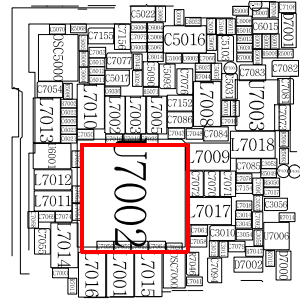
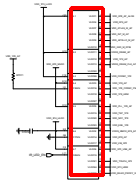
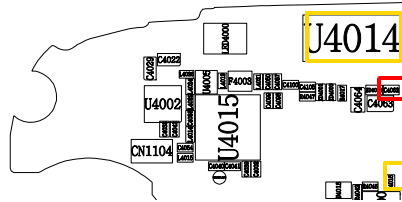
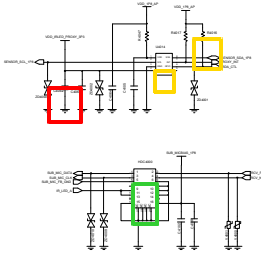
8-3-7-3. 6Axis Sensor



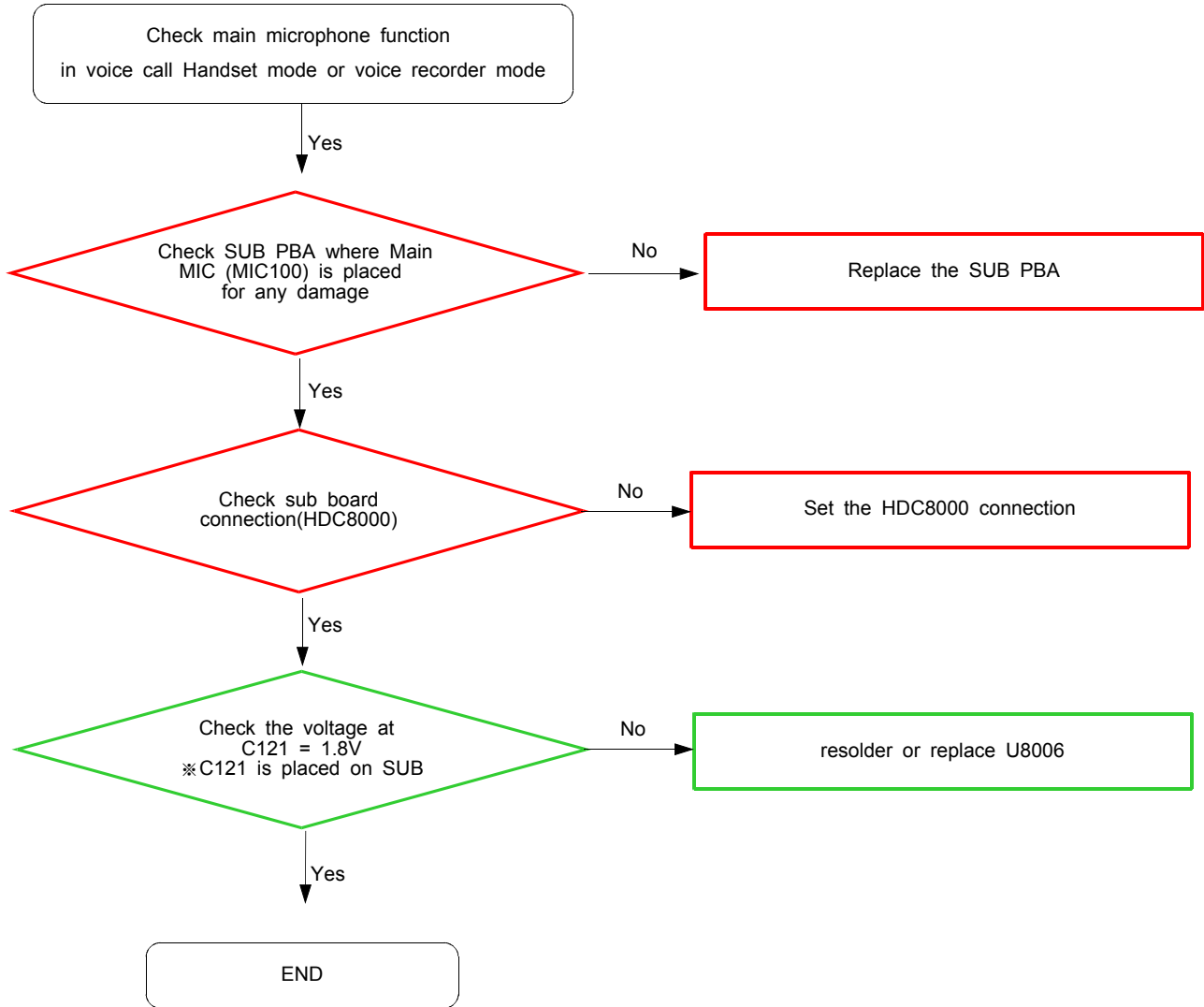


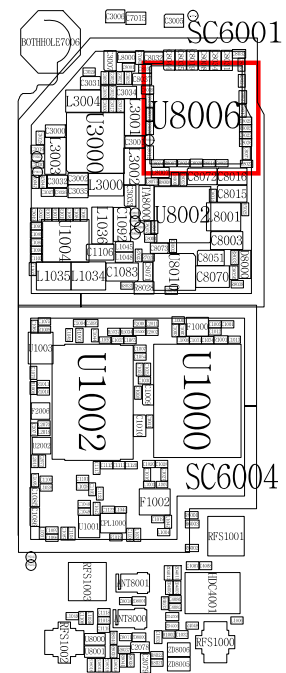
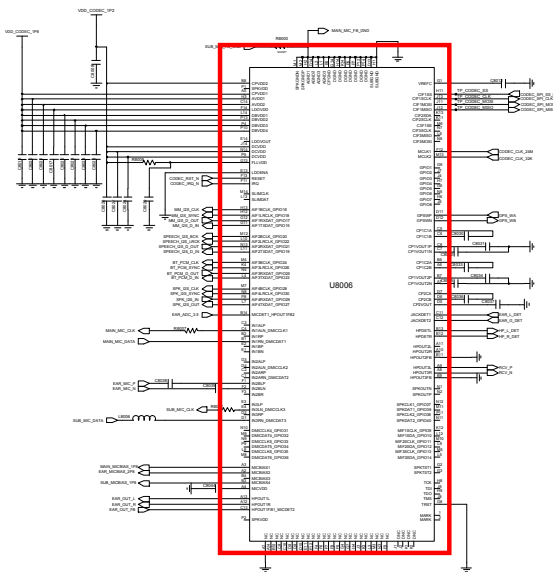
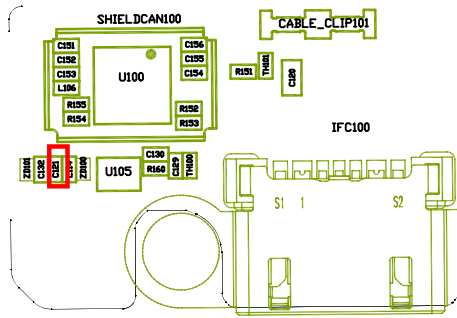
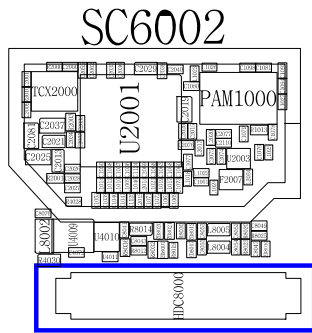
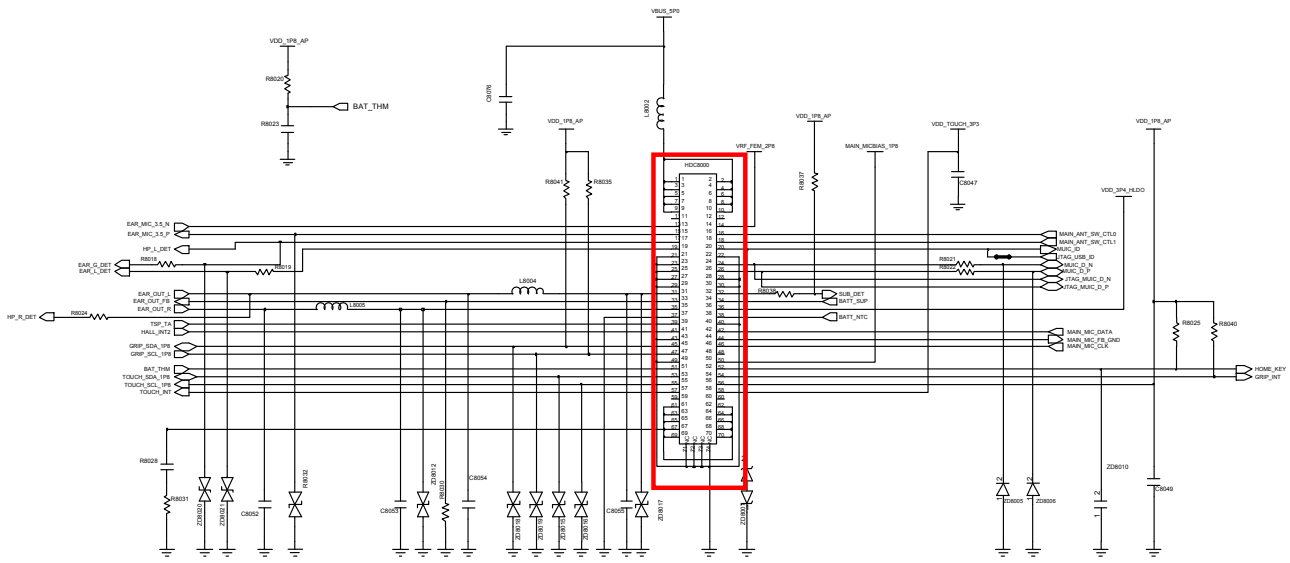
8-3-8. IRLED



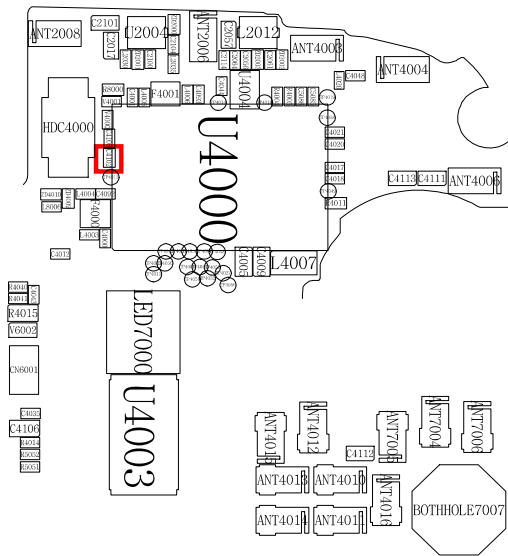
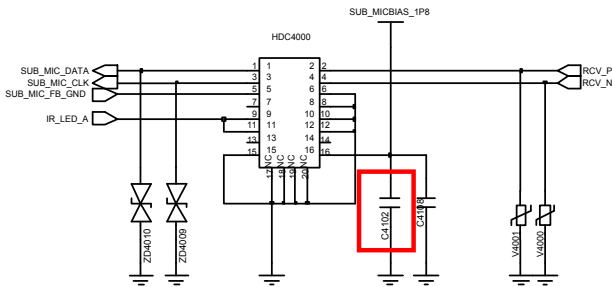
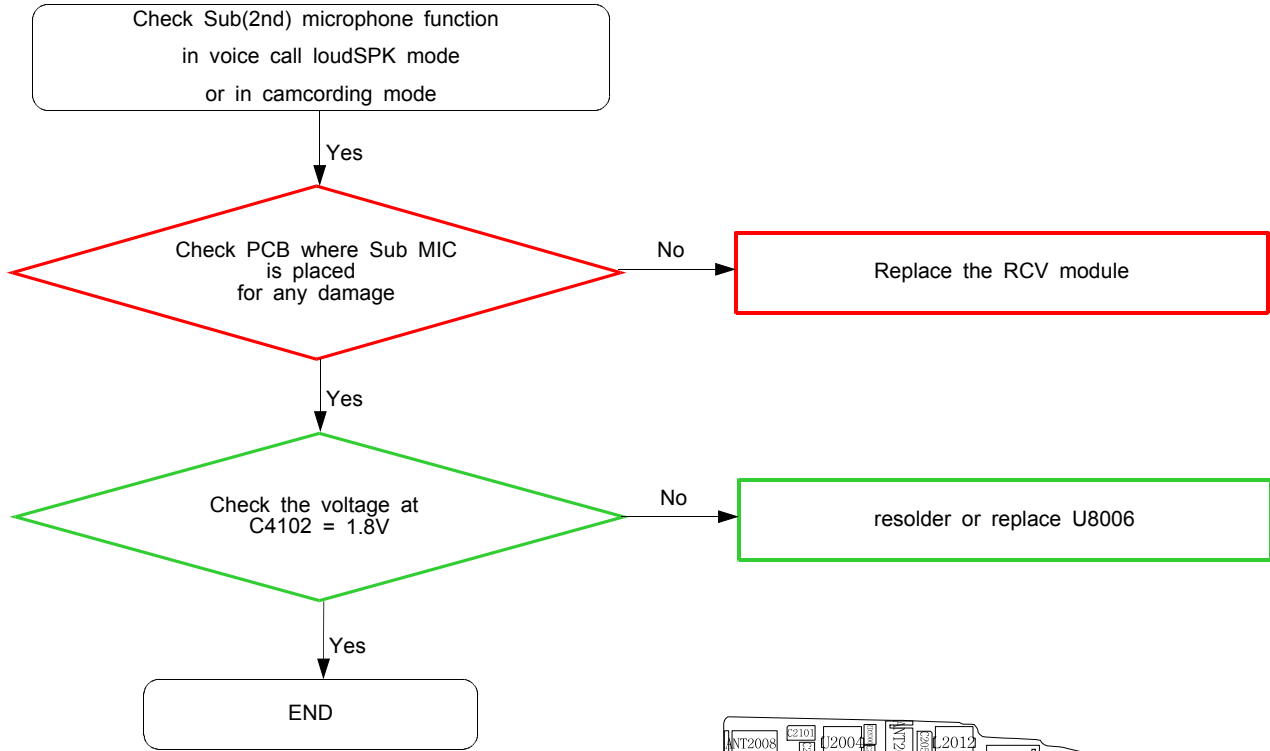


8-3-8-1 Microphone Part - Main MIC

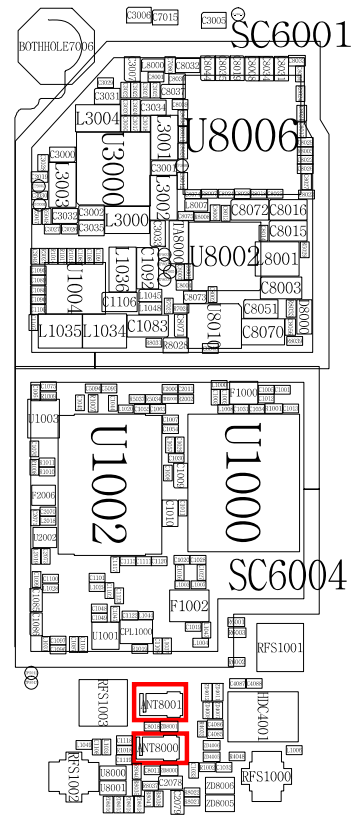
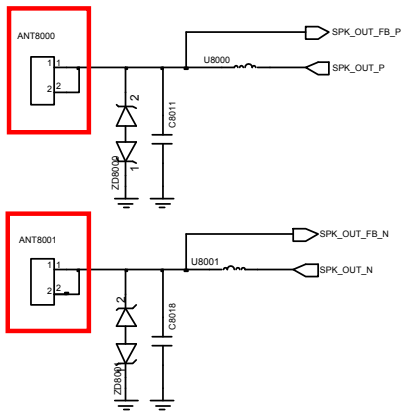
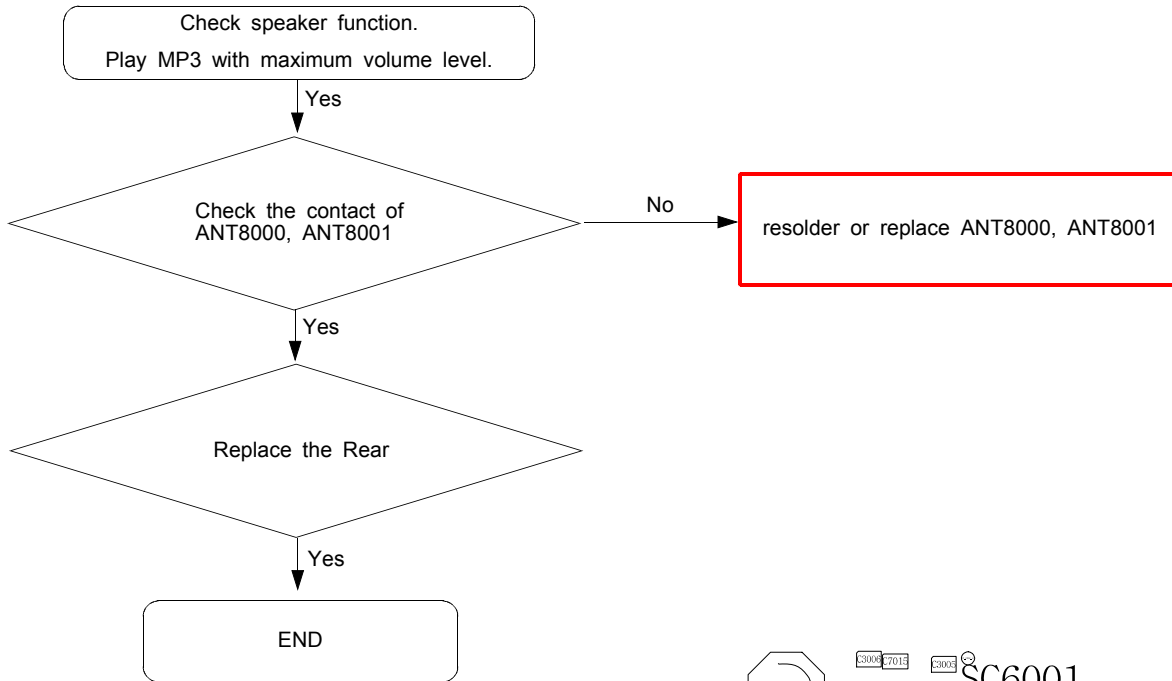




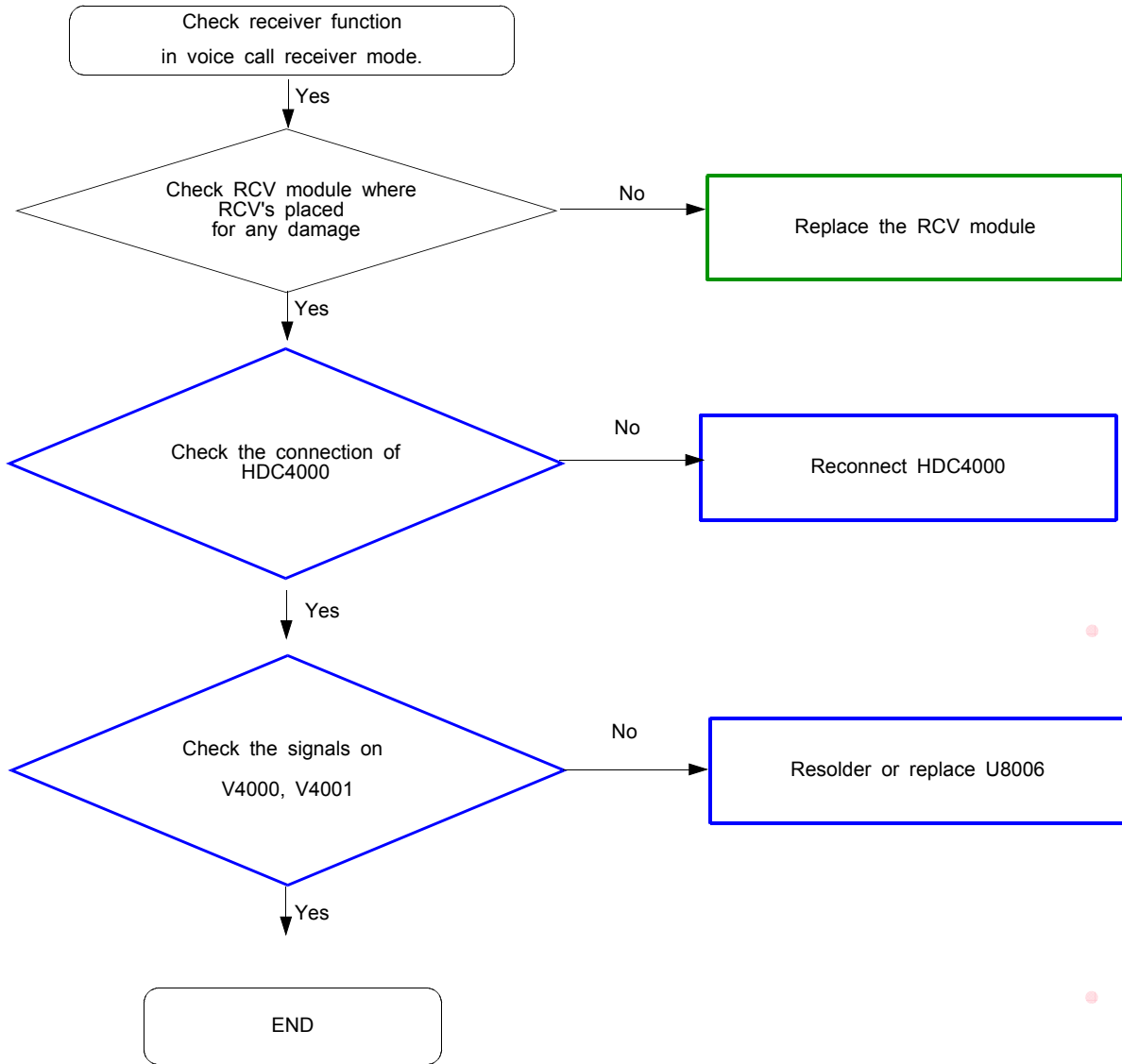
8-3-8-2. Microphone Part - Sub(2nd) MIC

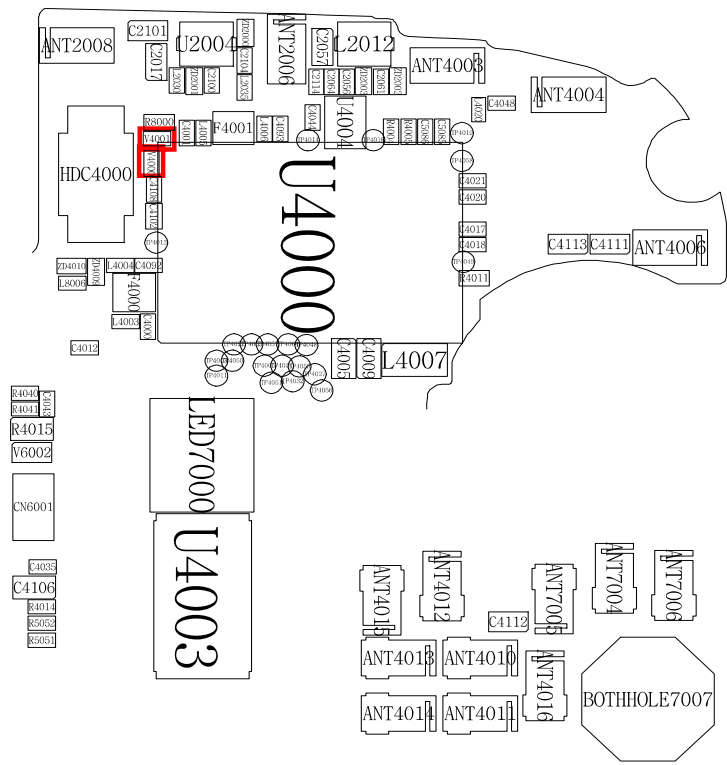
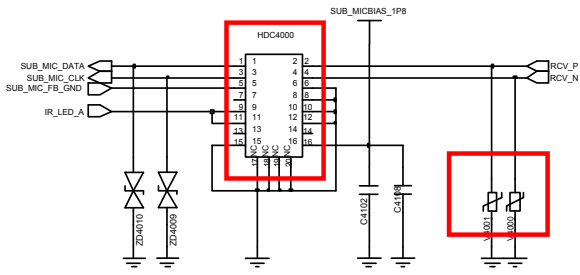


8-3-9. Speaker Part

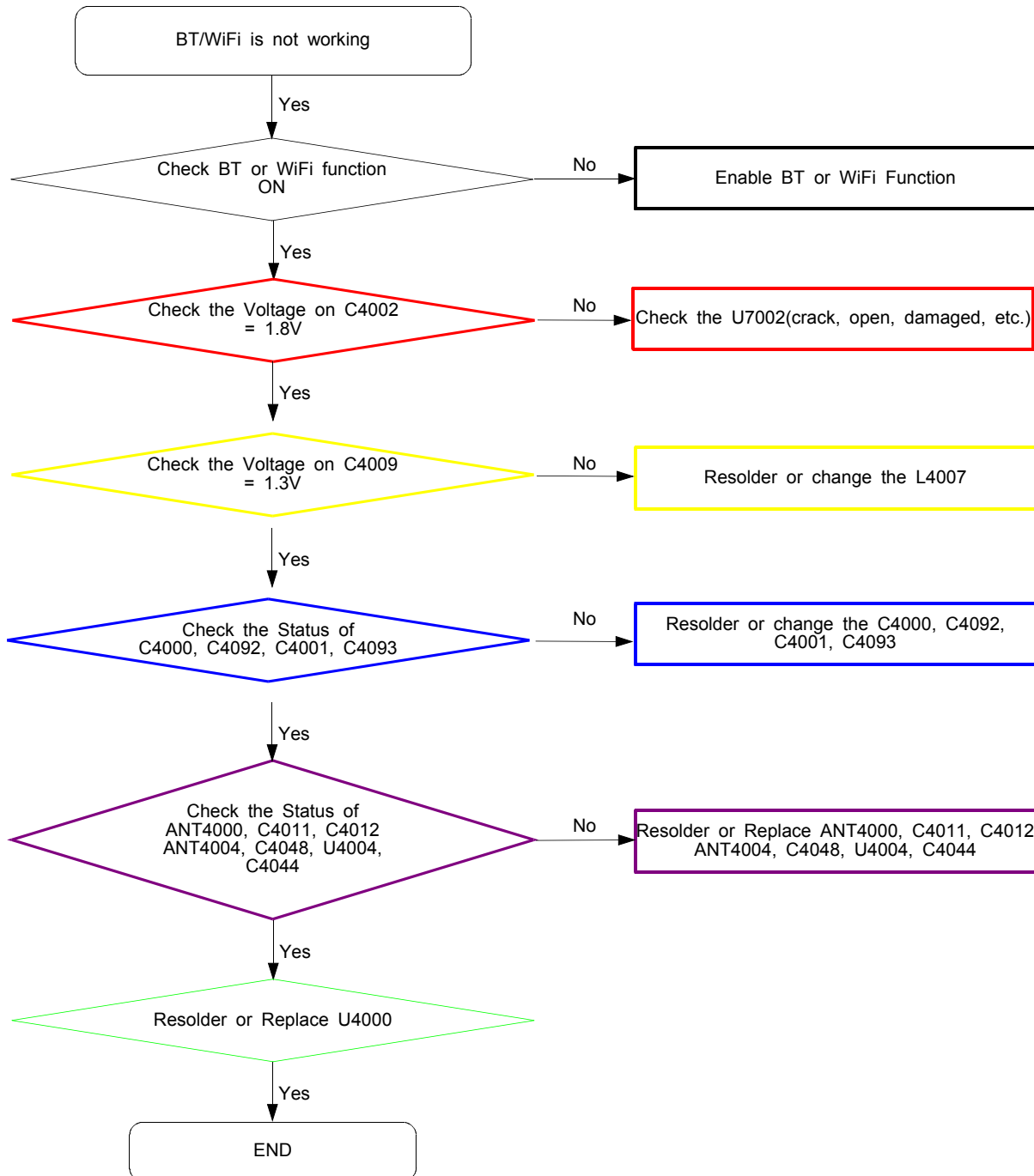


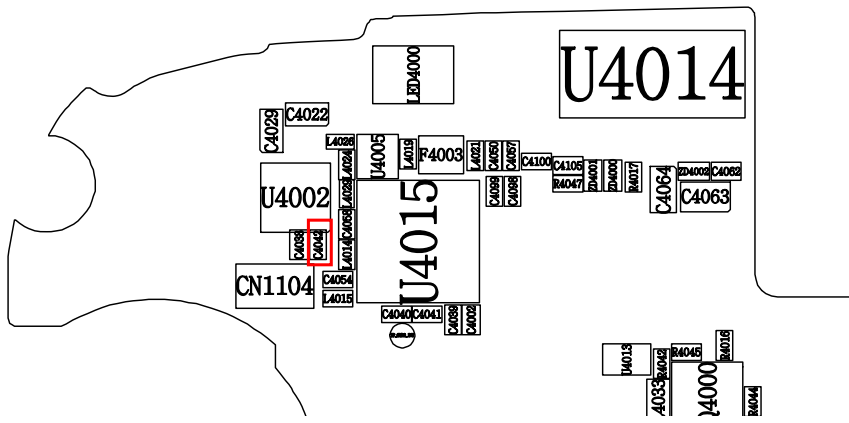
8-3-10. Receiver Part



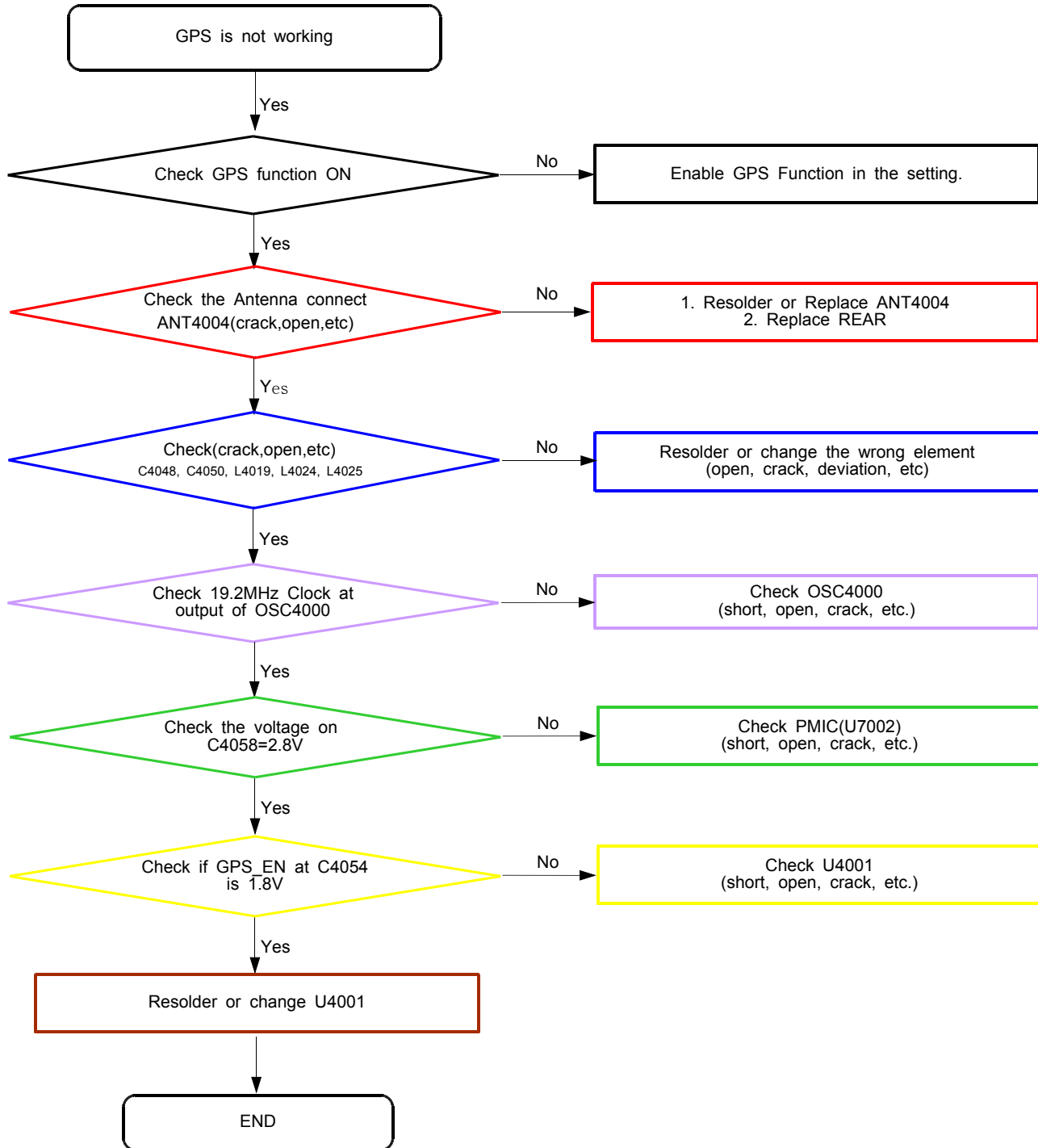


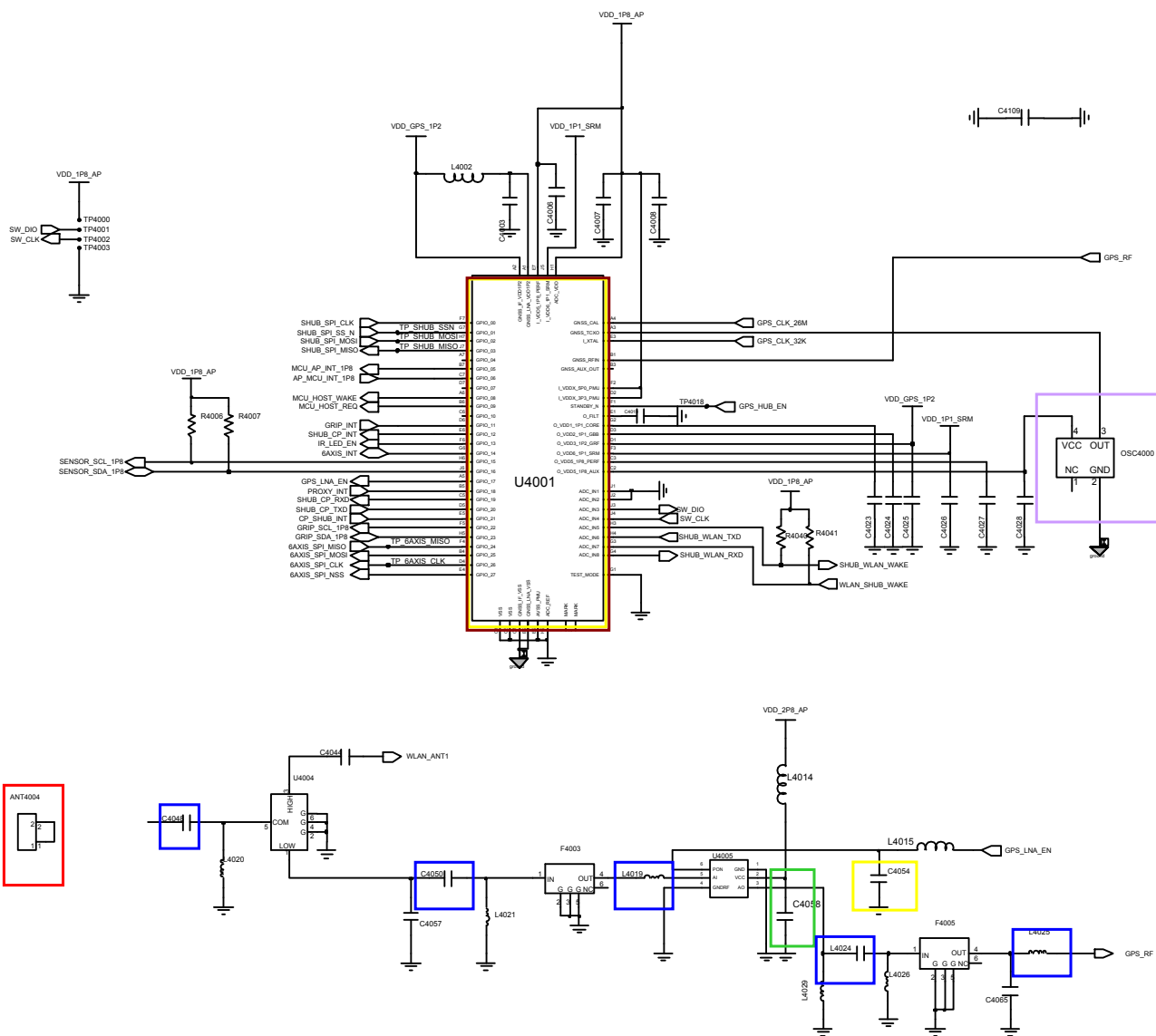
8-3-12. BT/WIFI

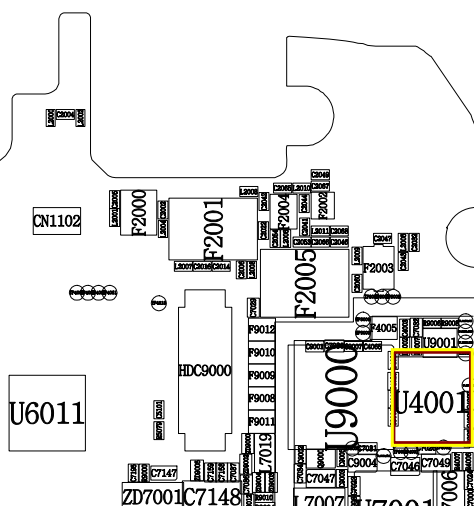
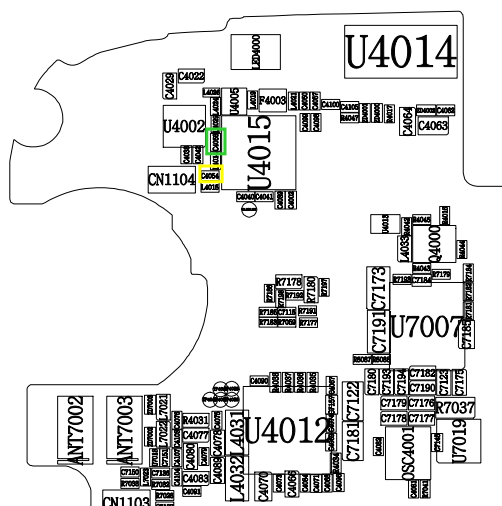
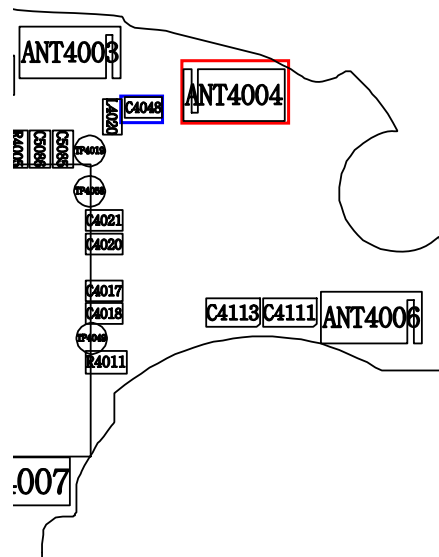
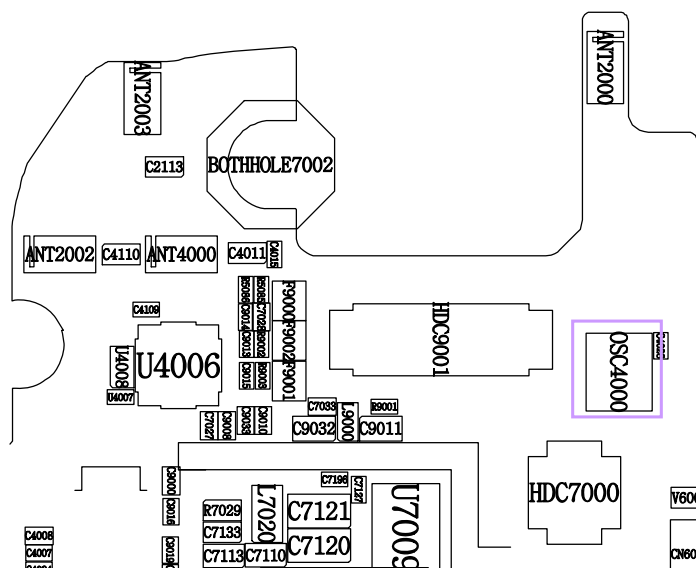




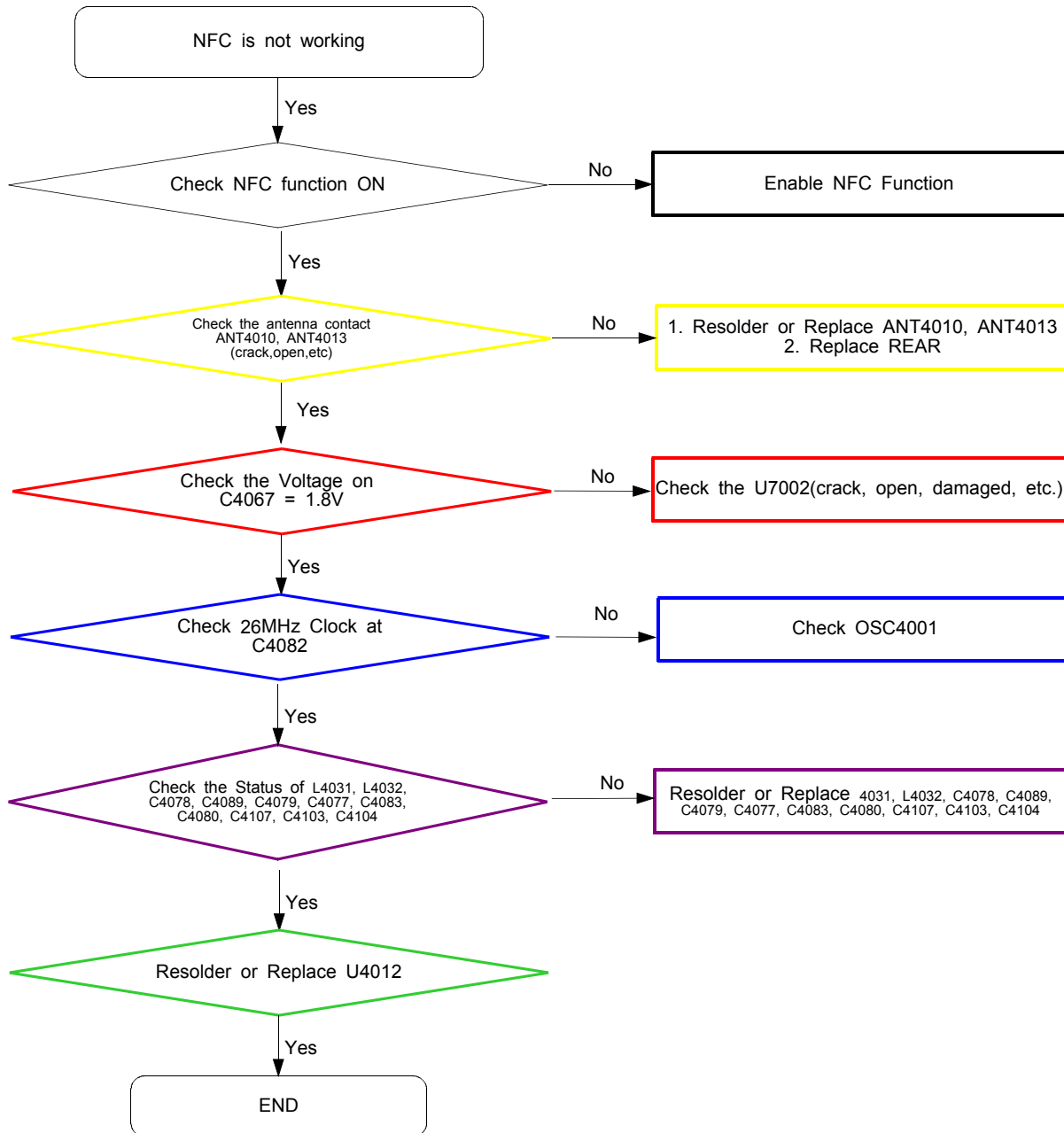
8-3-13. GPS

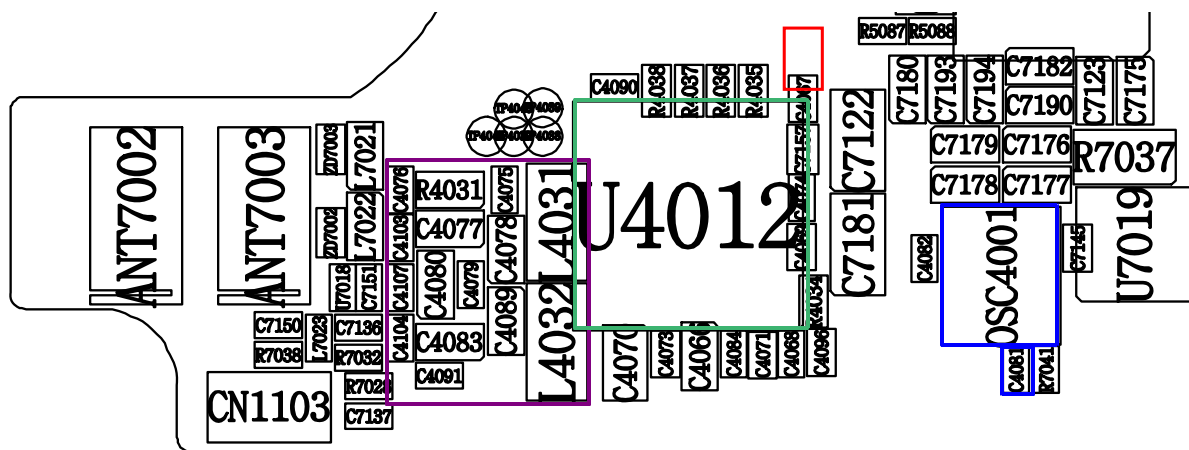
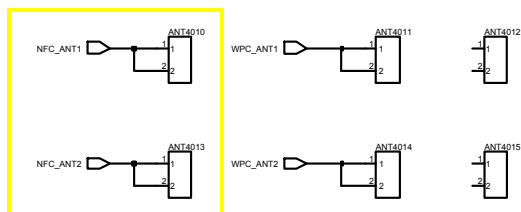
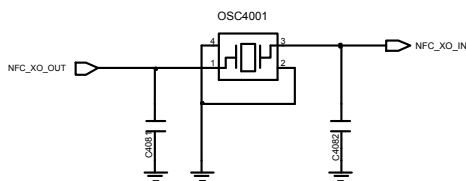
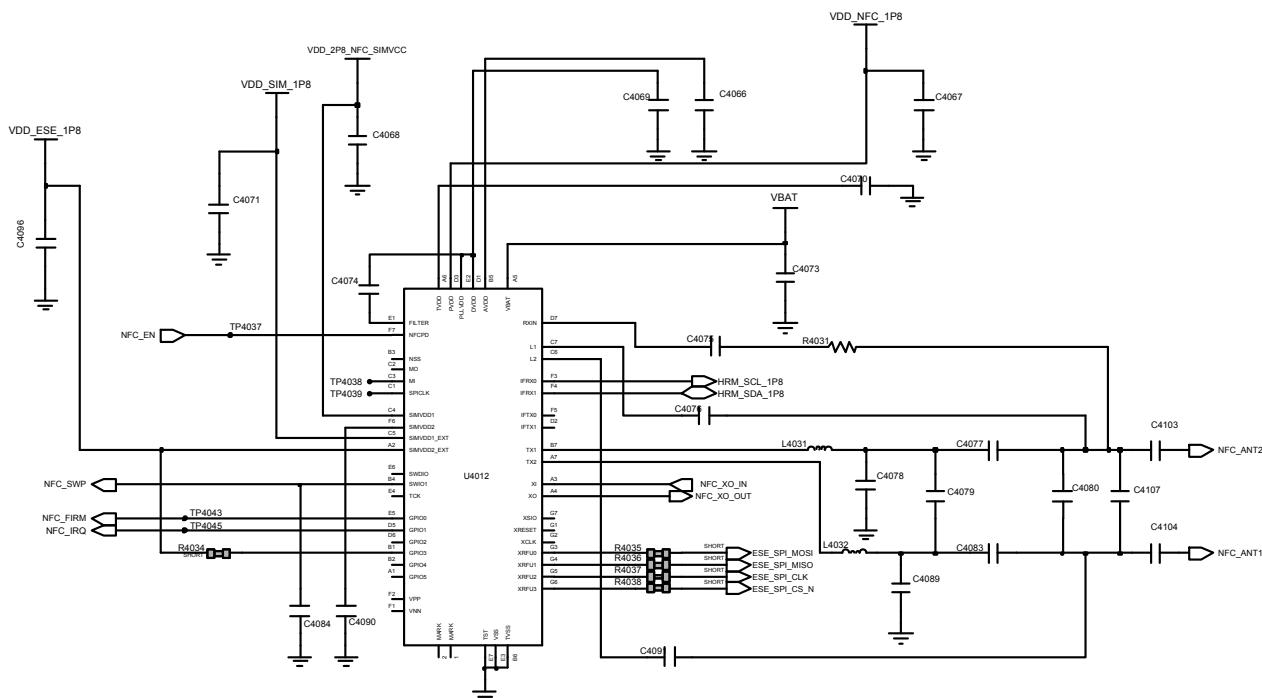




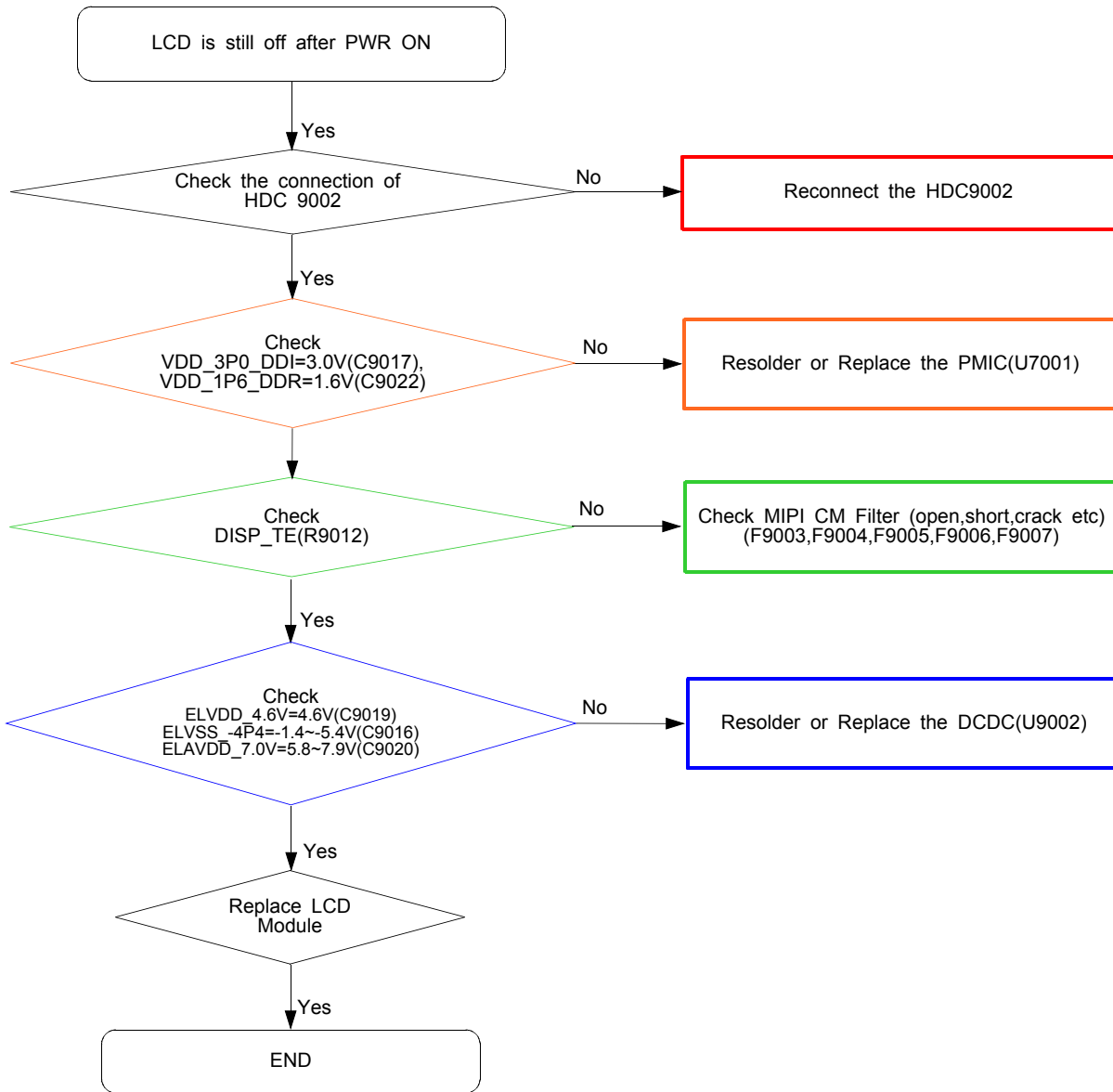


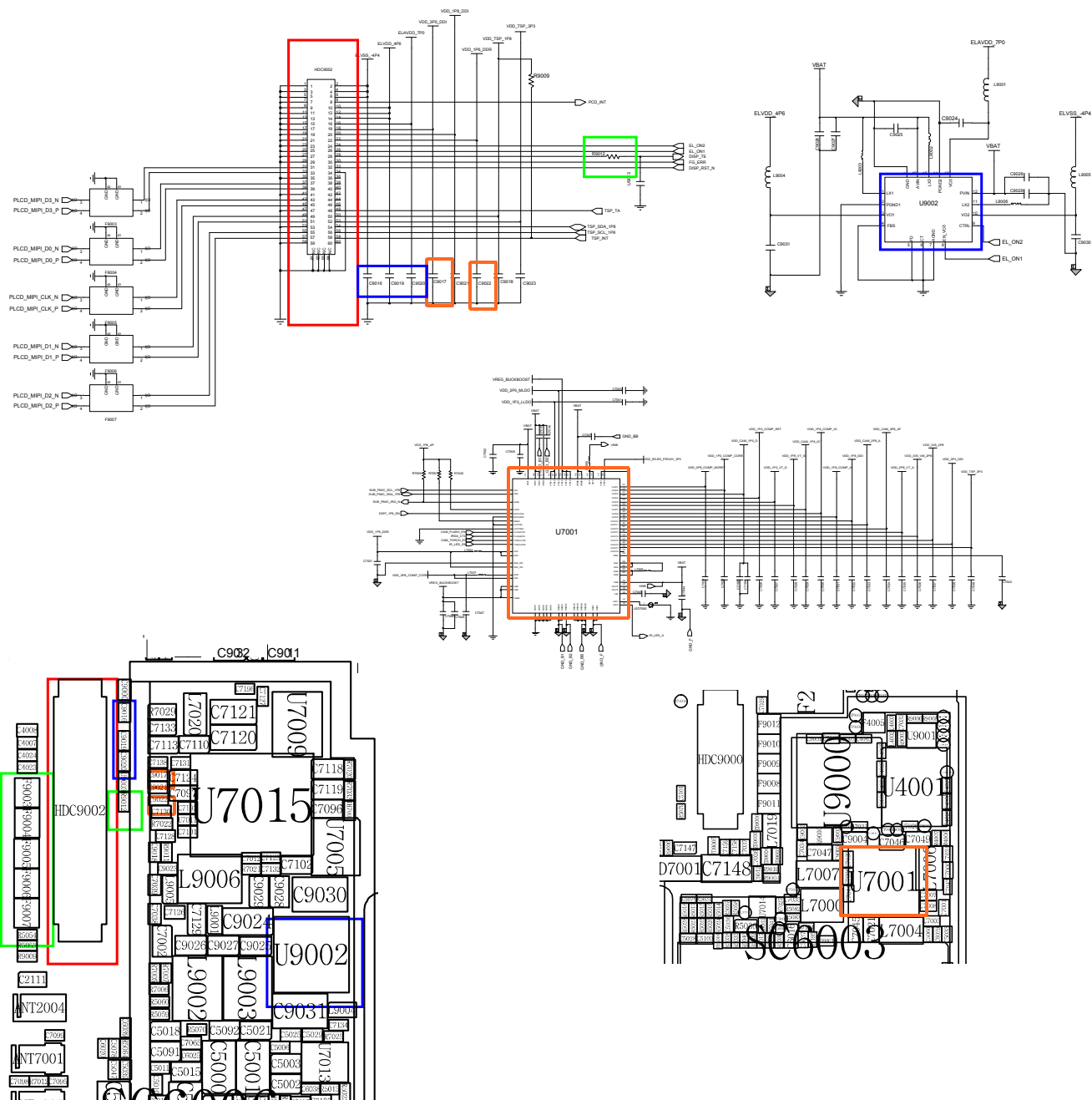
8-3-14. NFC



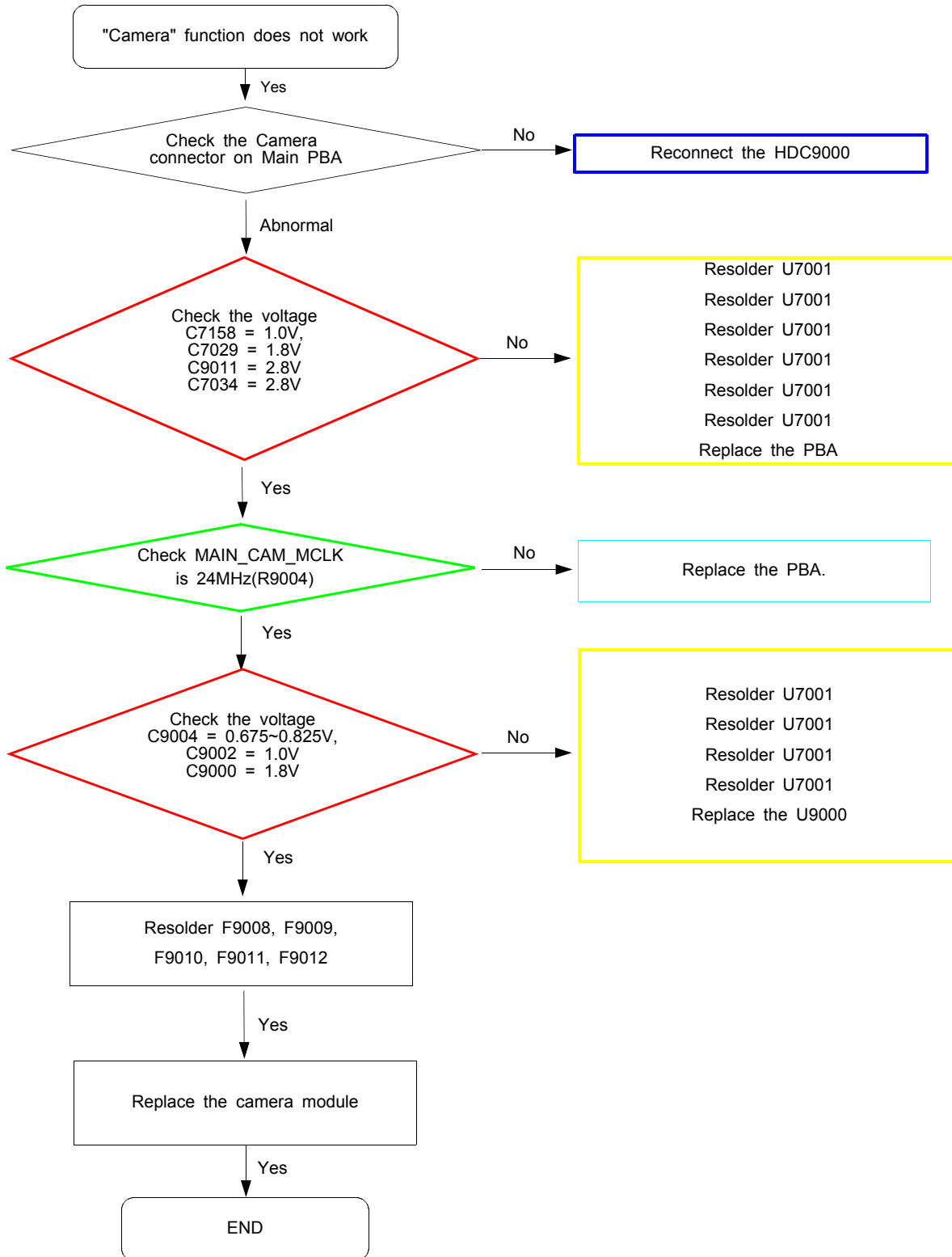


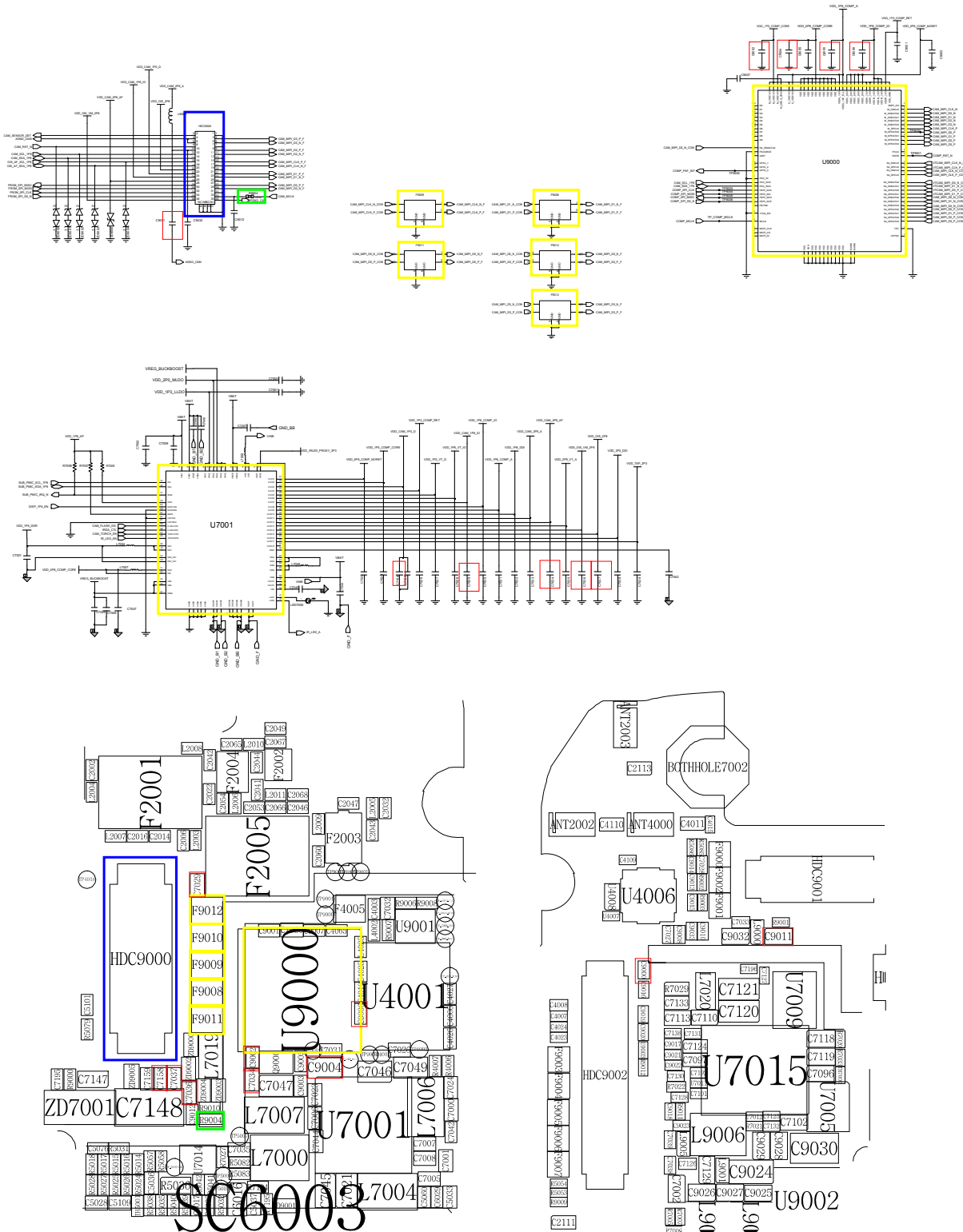
8-3-15. Display



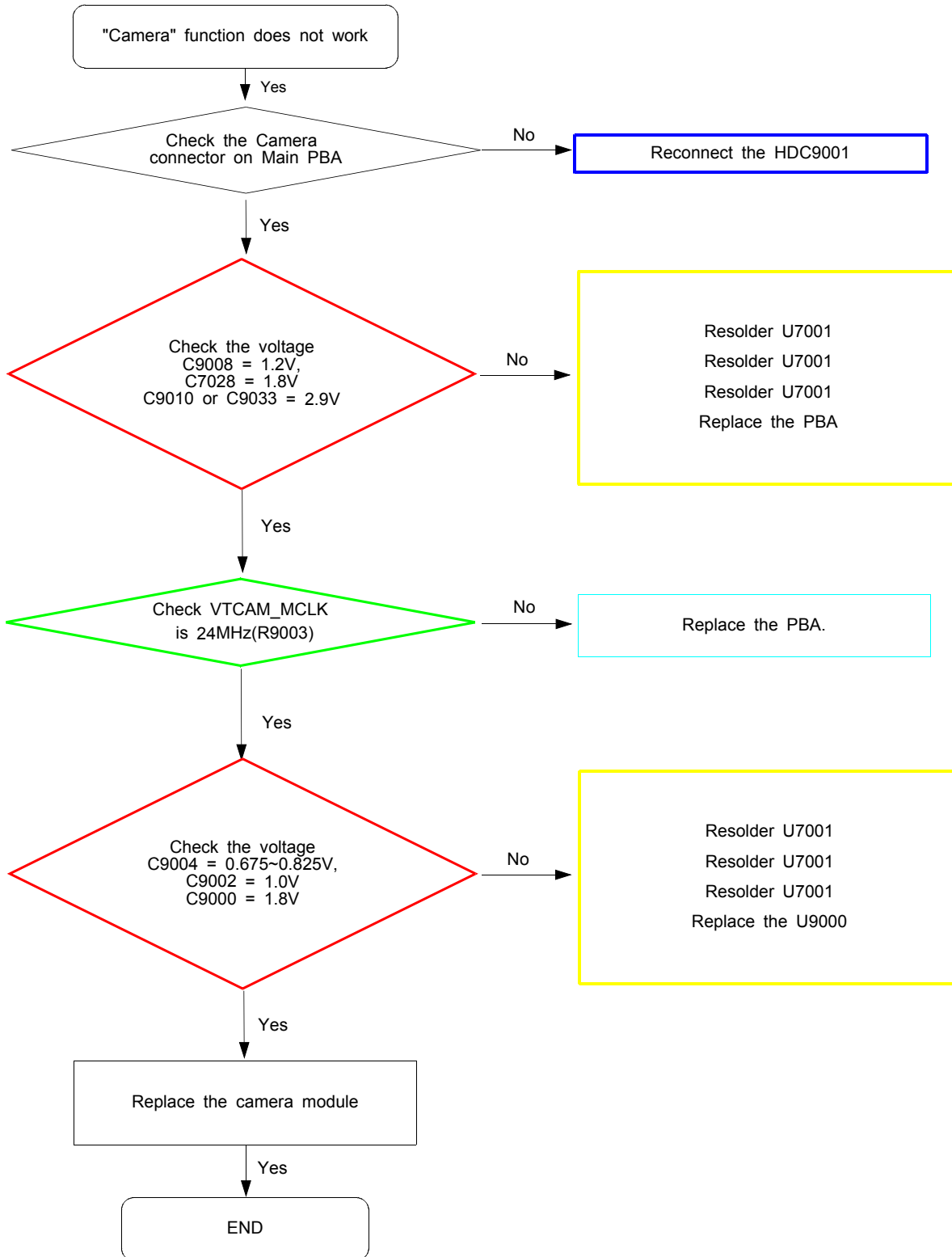


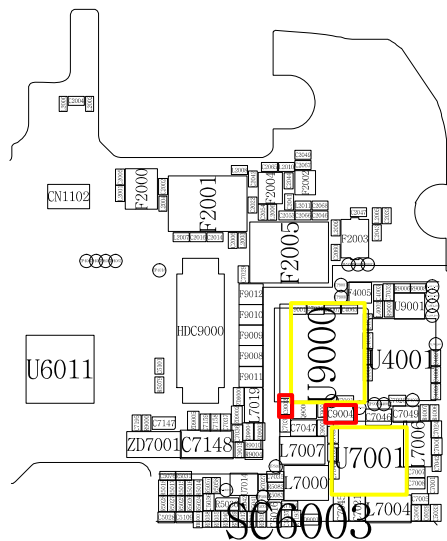
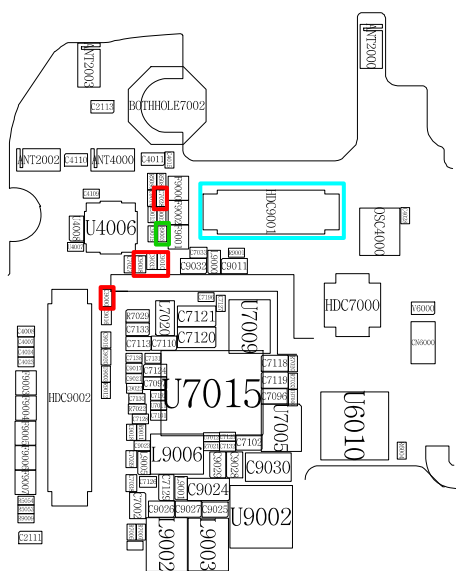
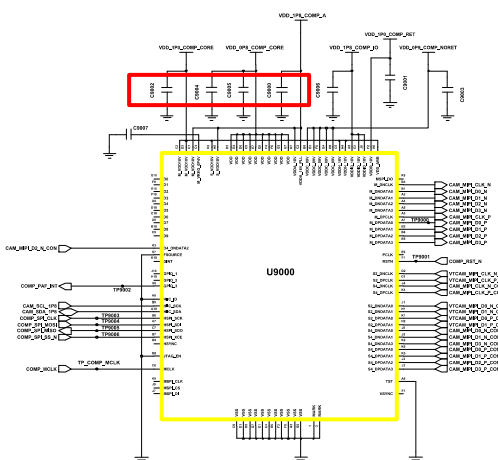
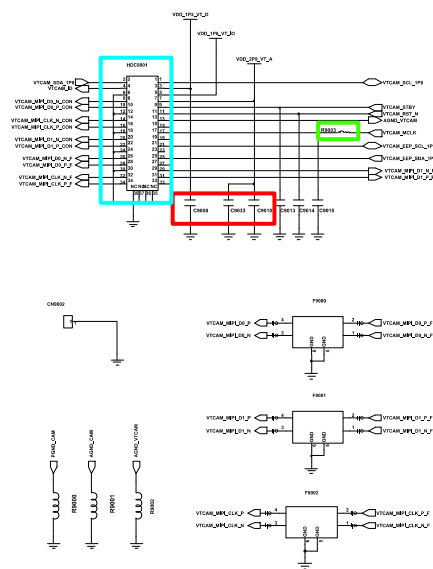
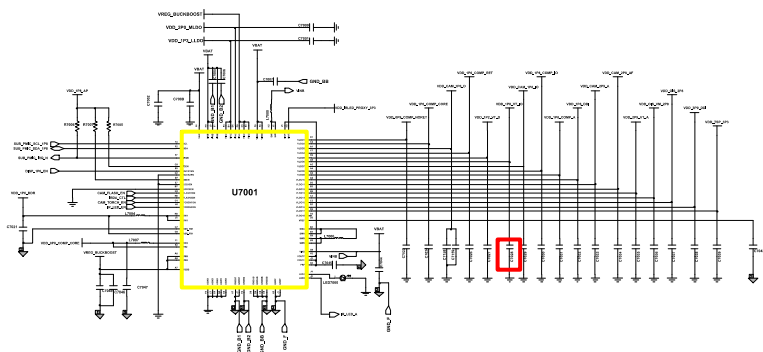
8-3-16. 16M CAM



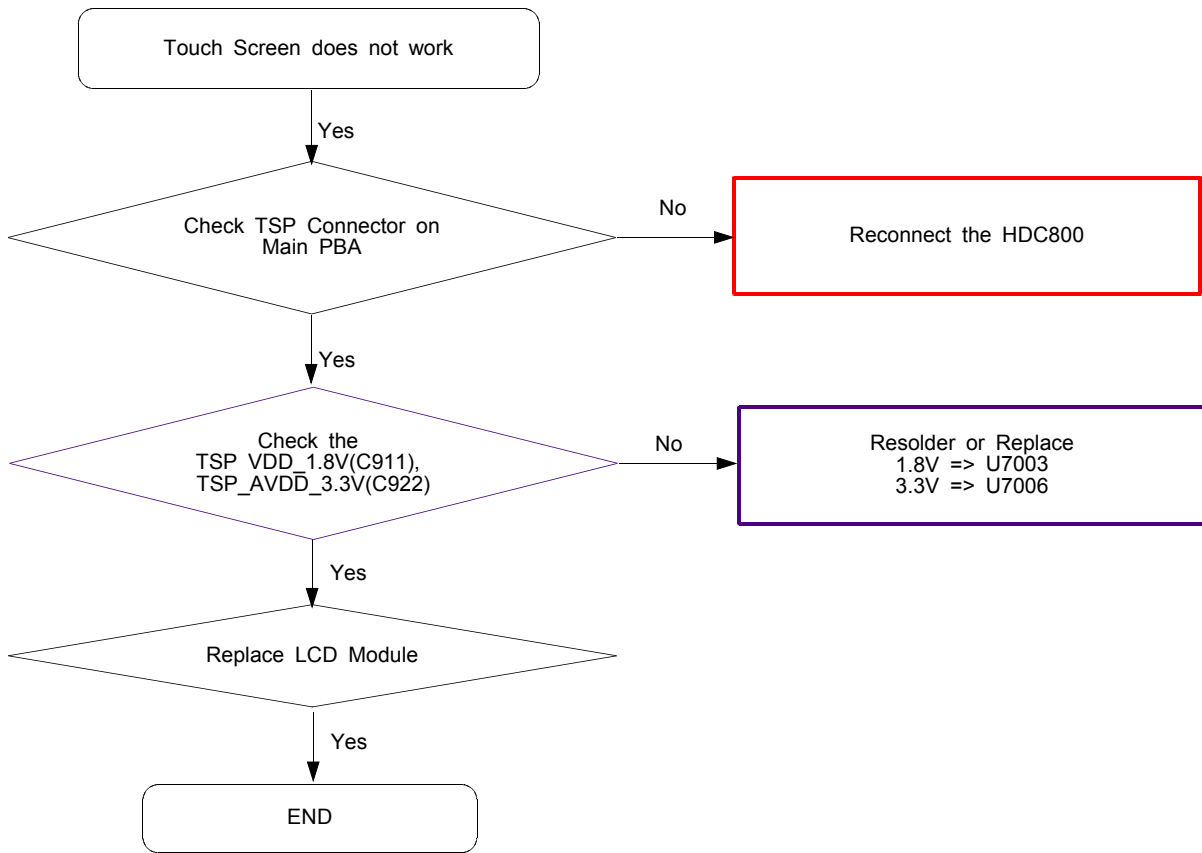


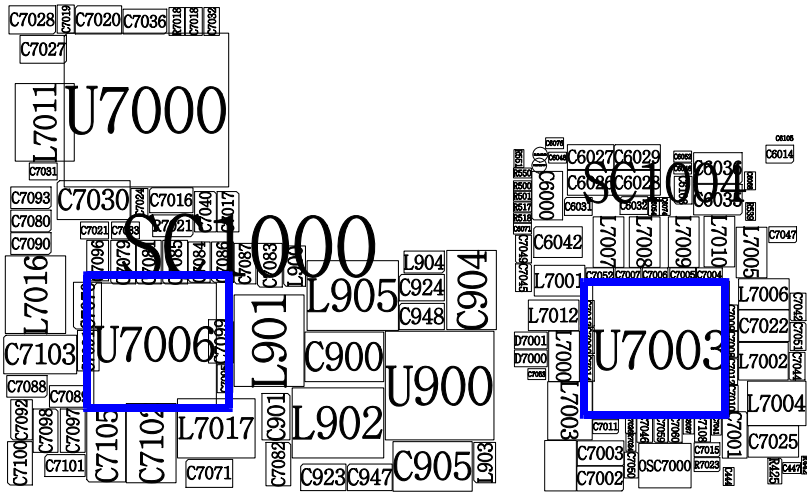
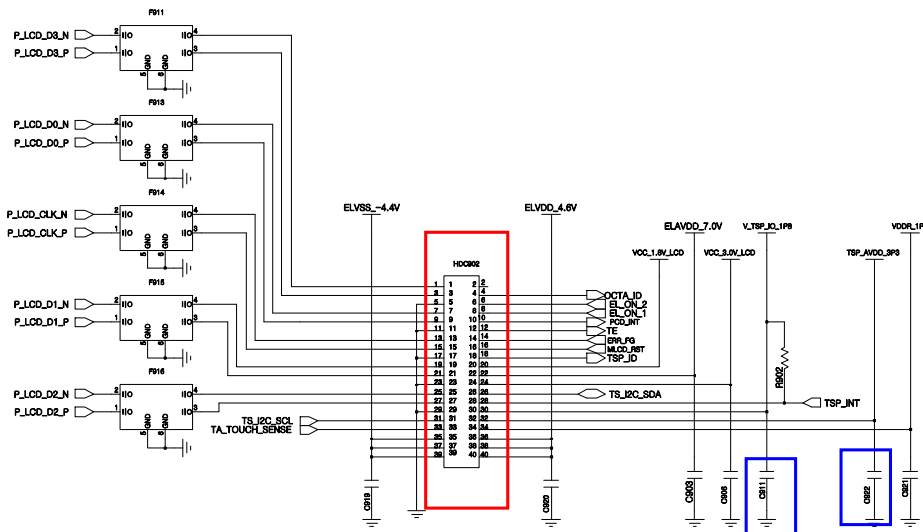
8-3-17. 5M CAM



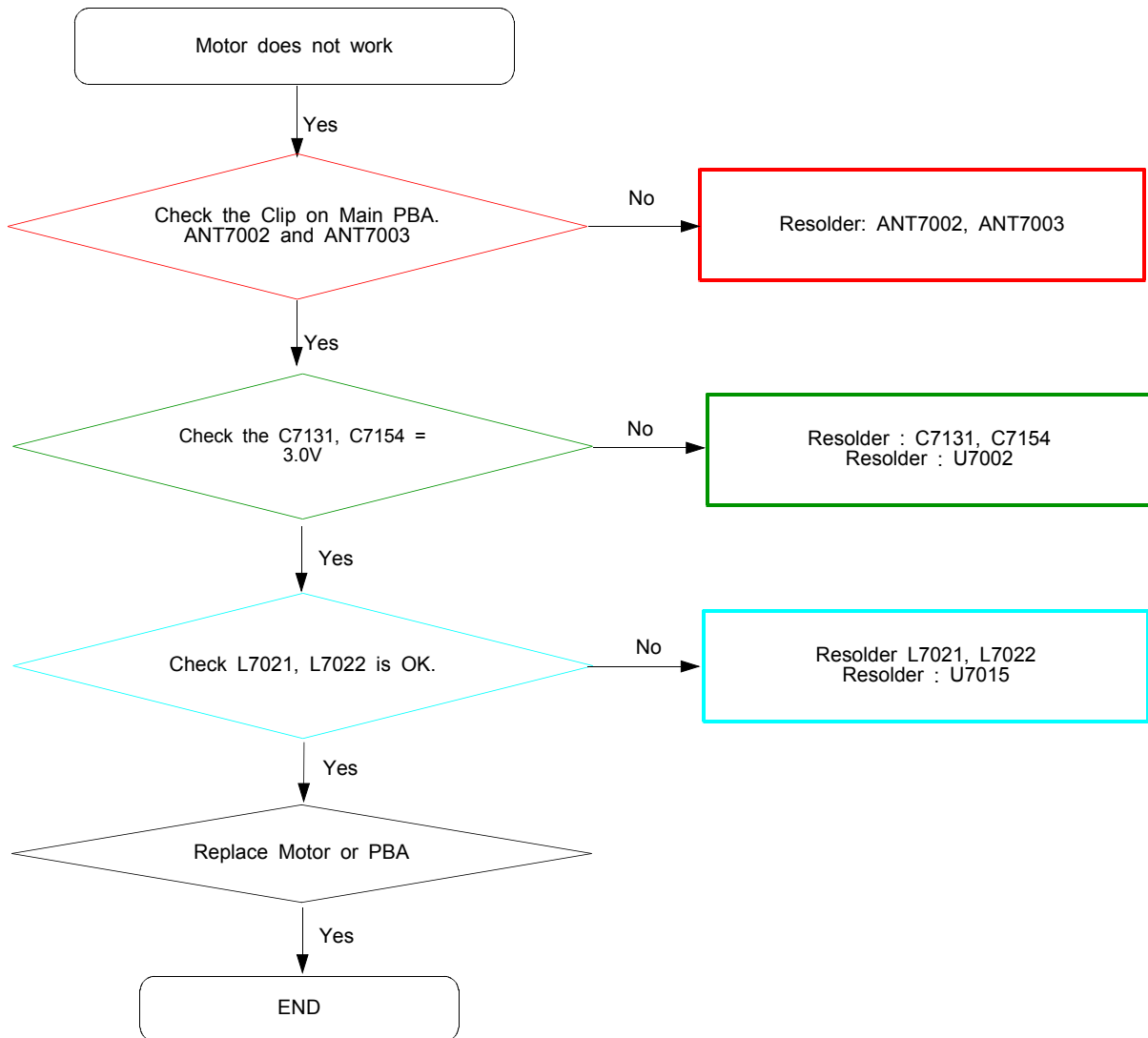


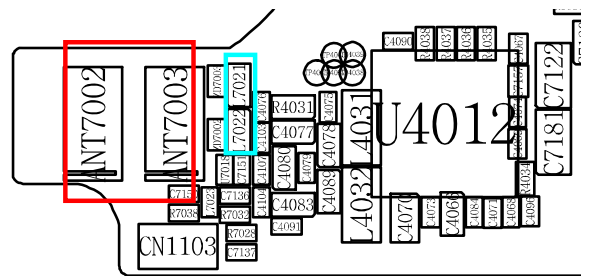
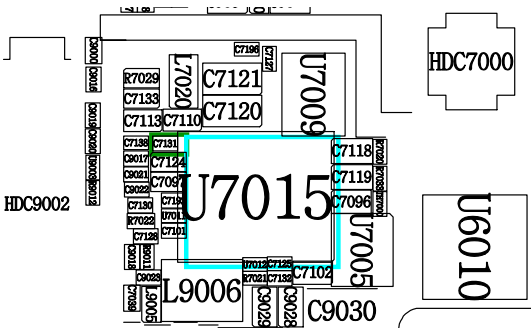
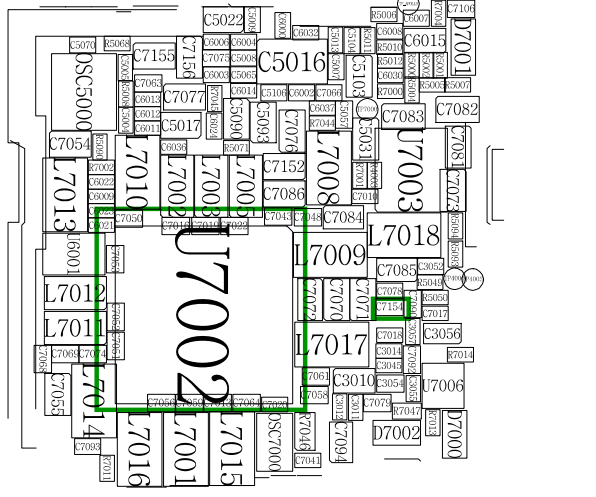
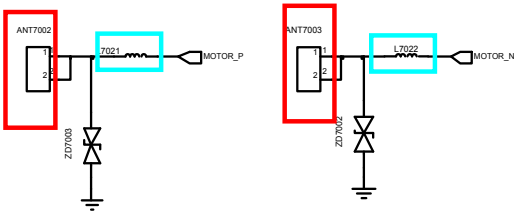
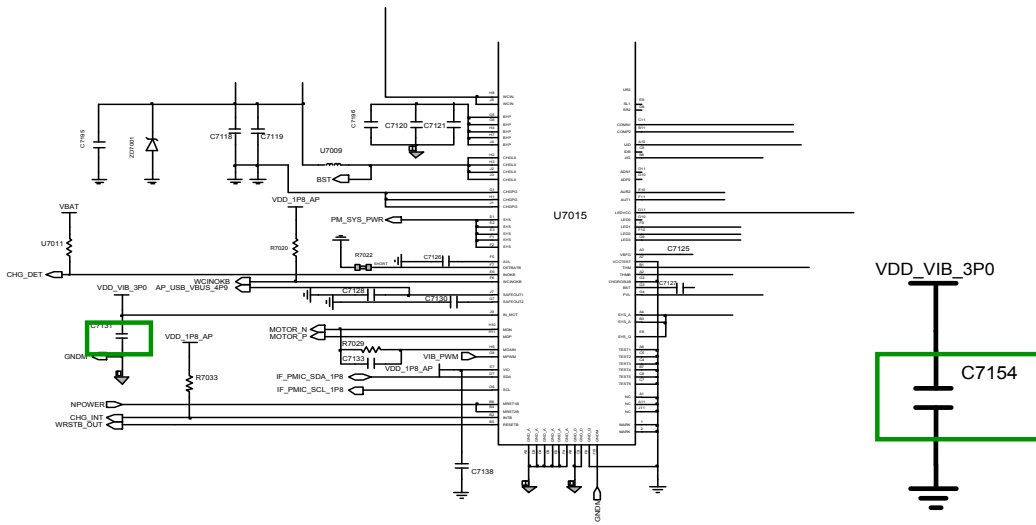
8-3-18. TSP





8-3-19. Motor

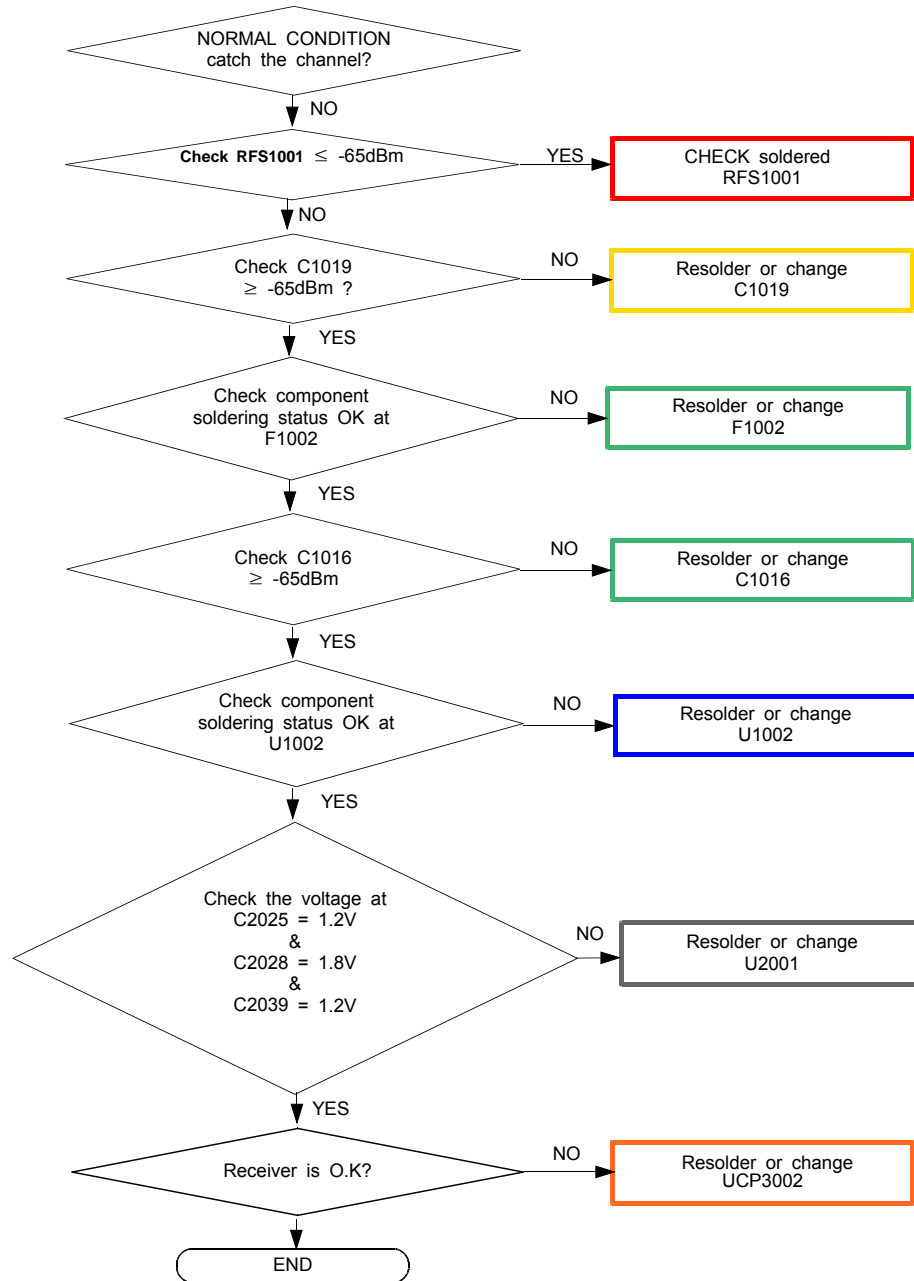


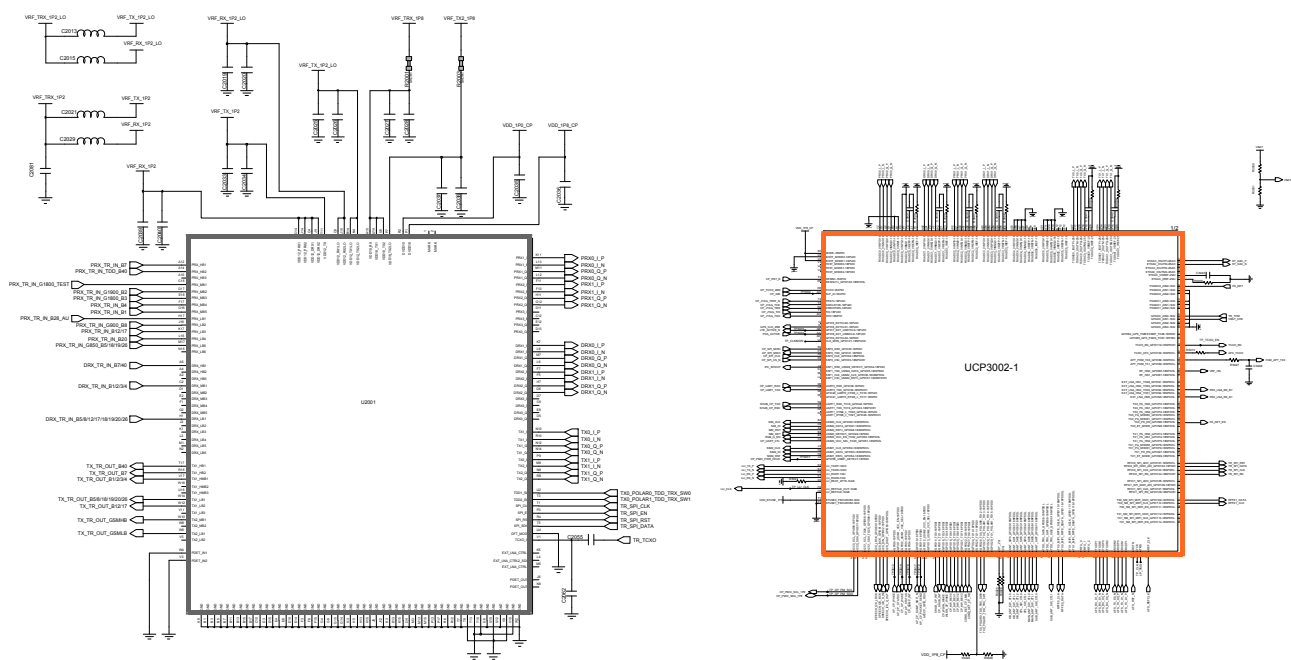
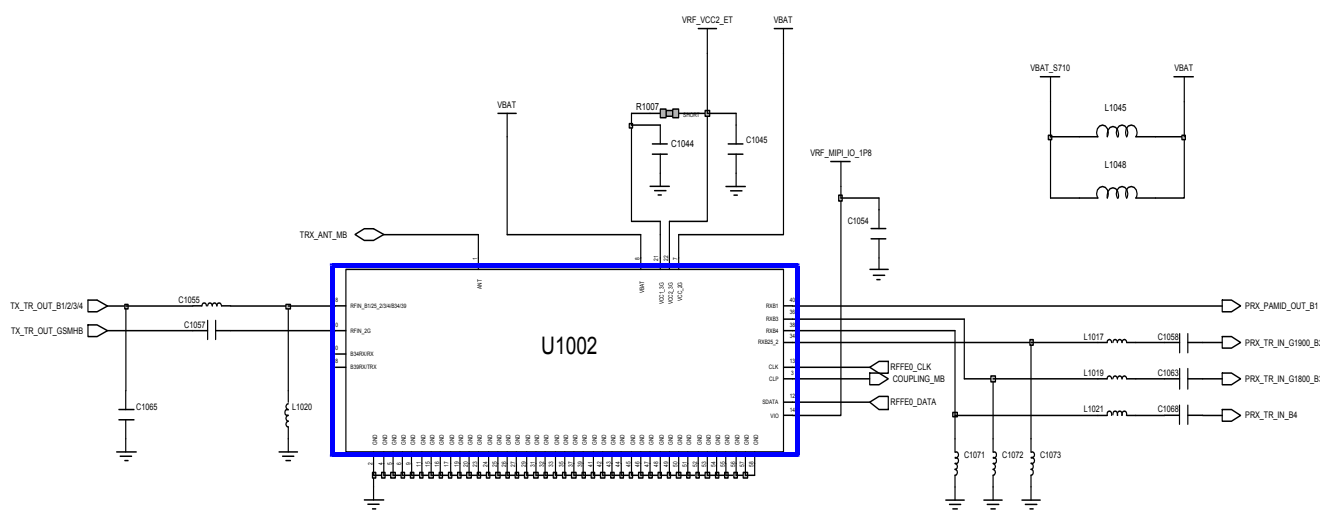
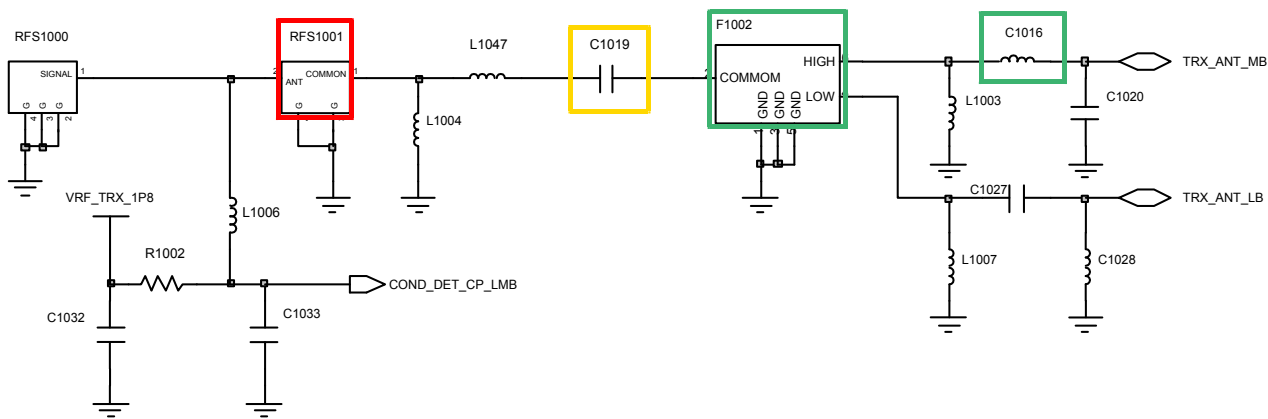


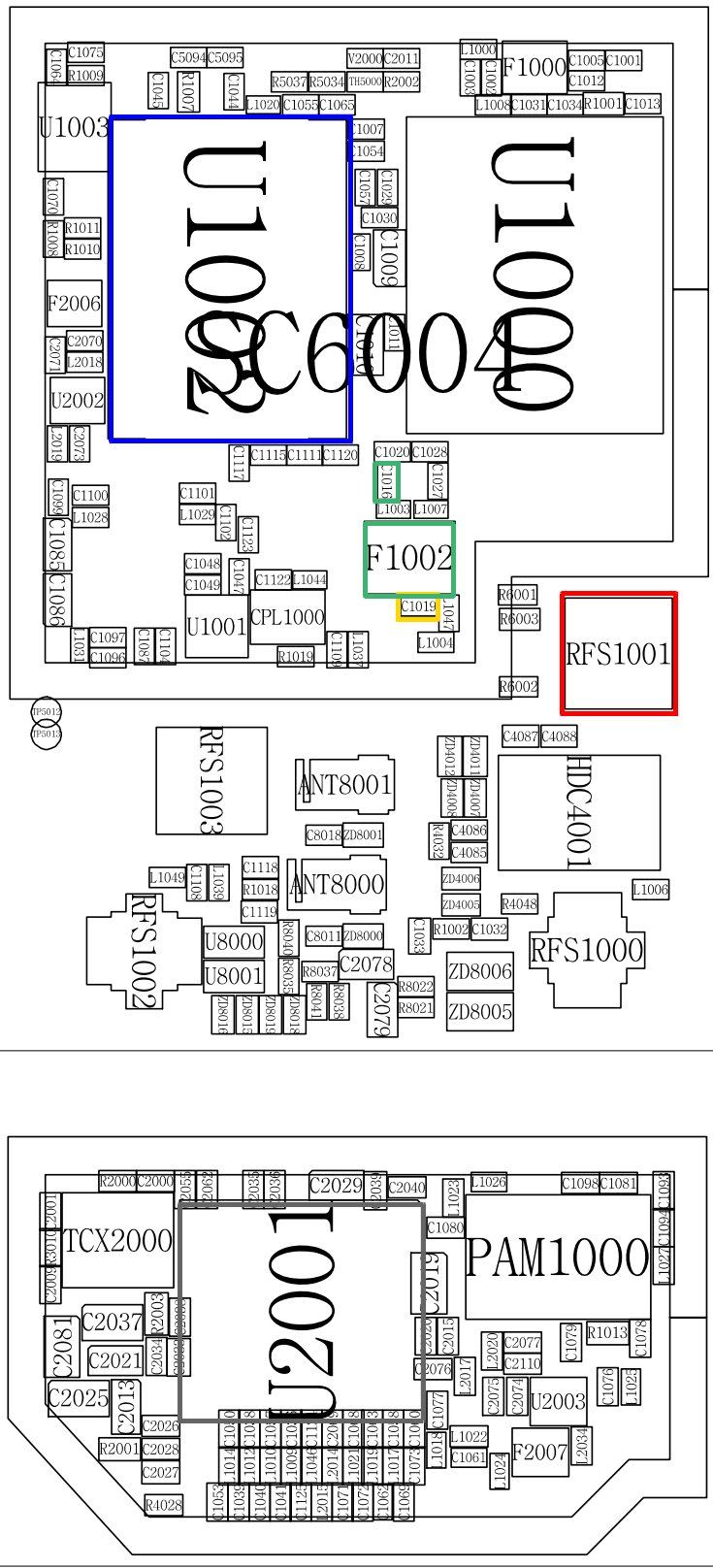
Confidential and proprietary-the contents in this service guide subject to change without prior notice.

Distribution, transmission, or infringement of any content or data from this document without Samsung's written authorization is strictly prohibited.

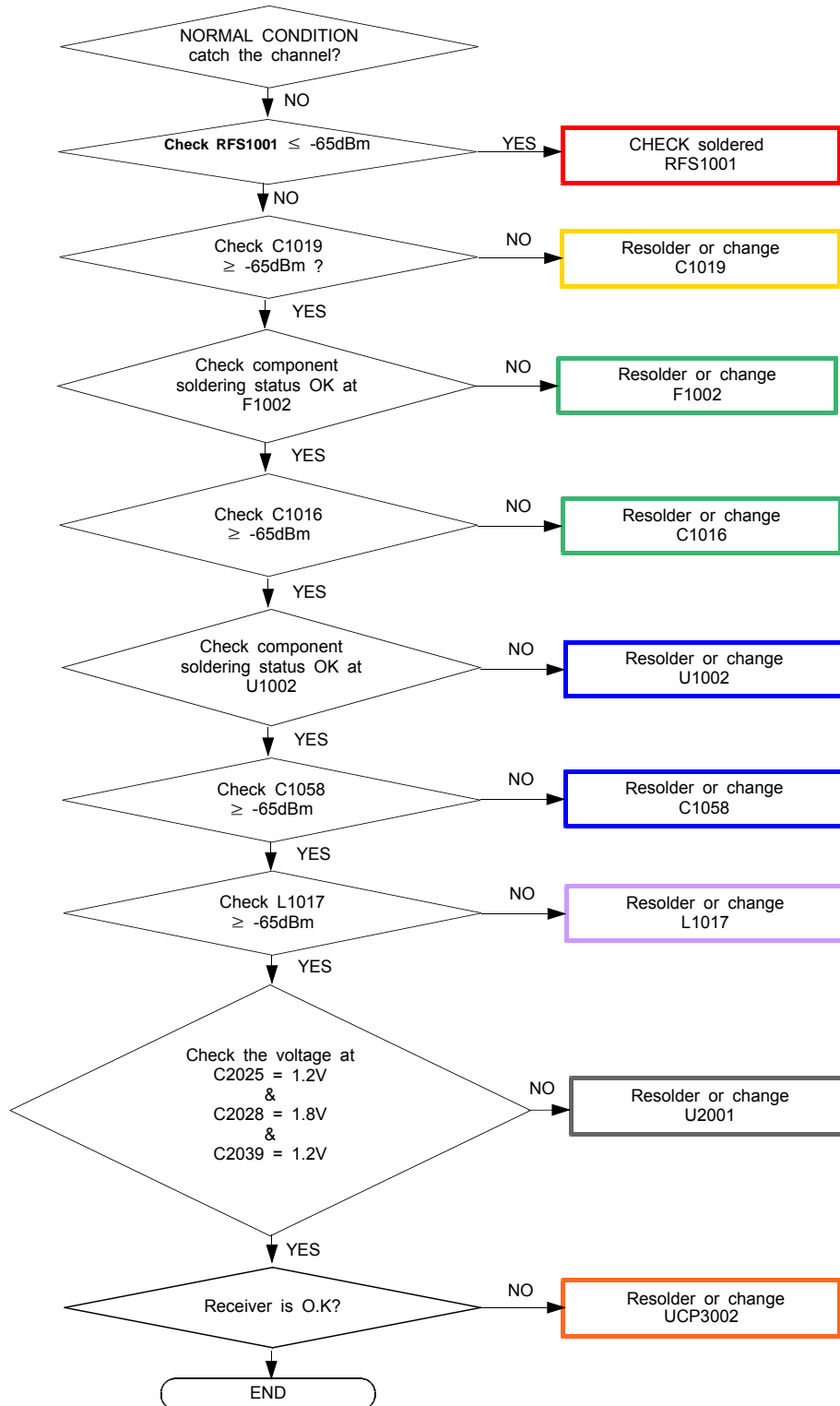
8-3-20. WCDMA 1 / LTE 1 Rx

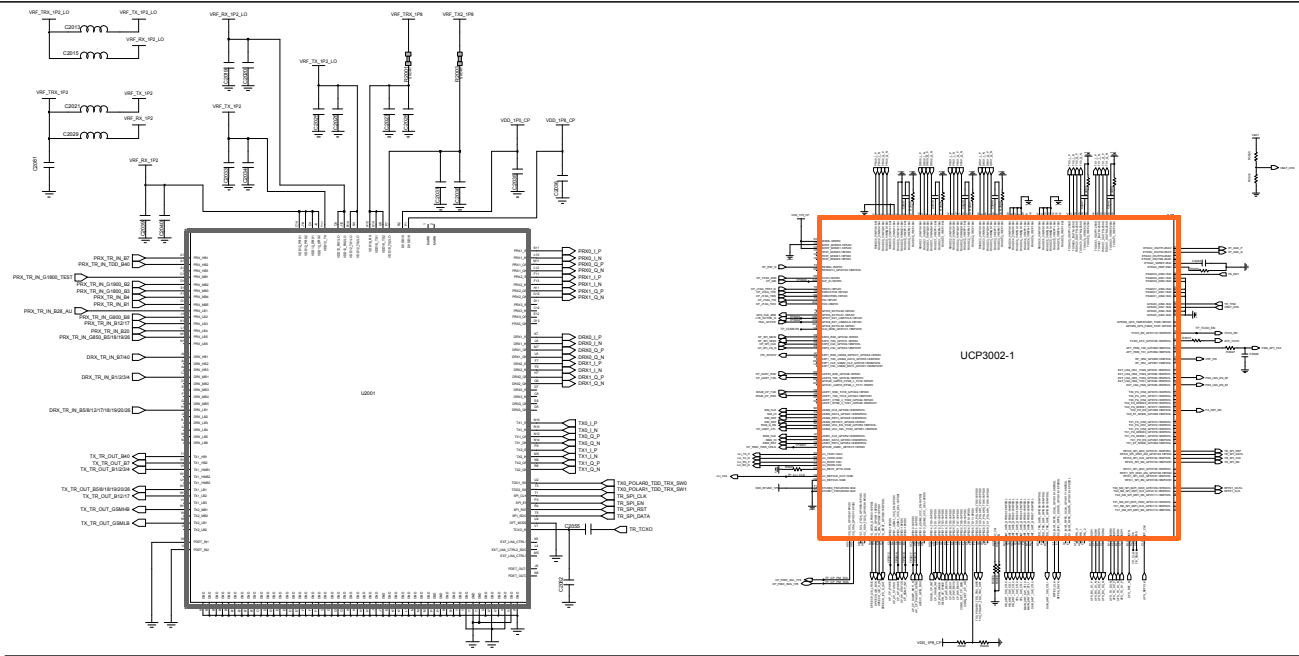
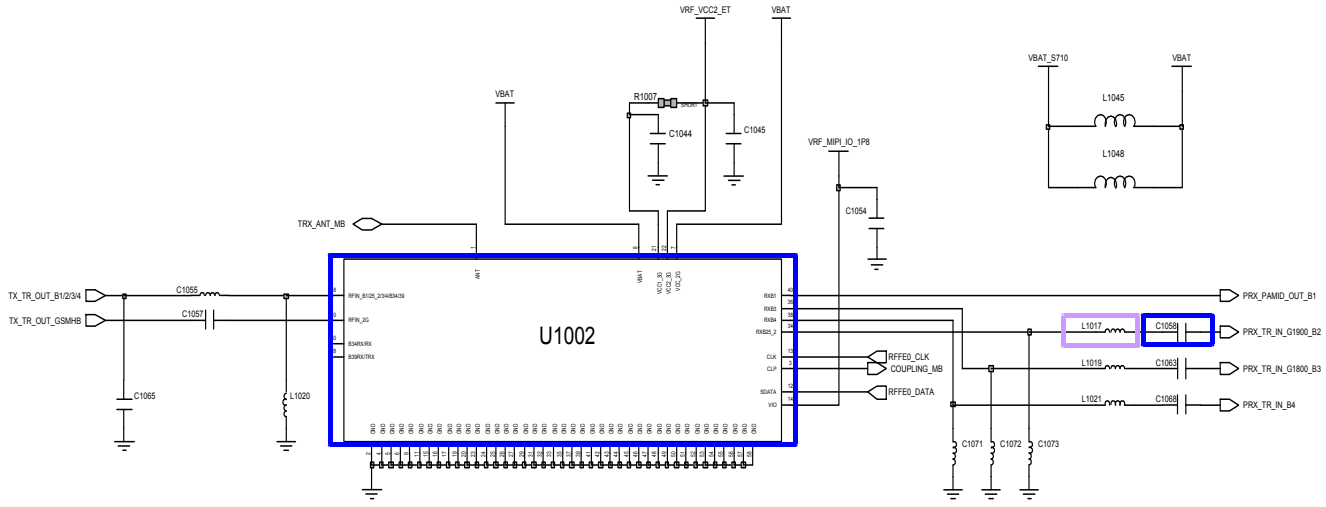
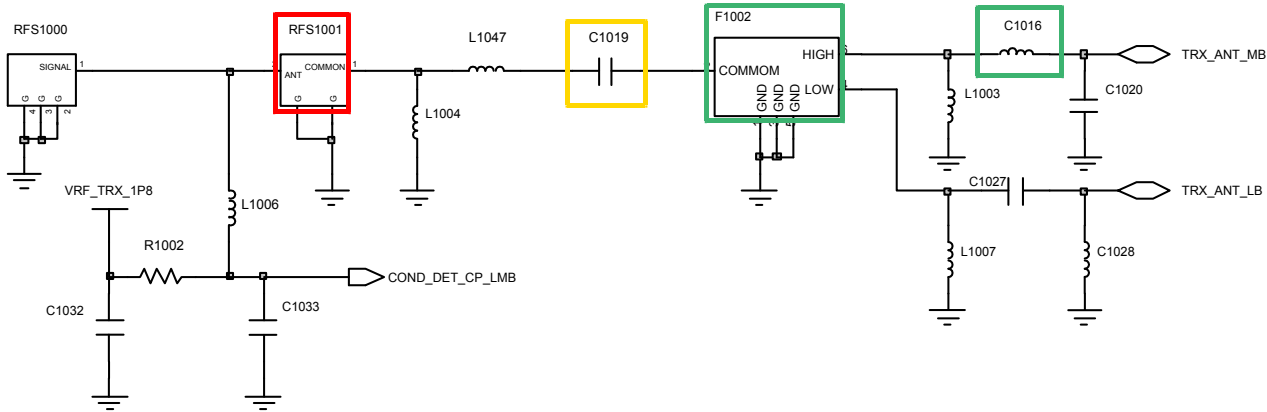






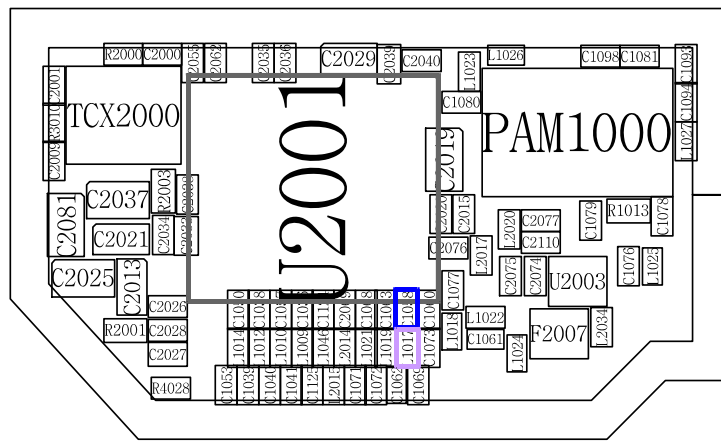
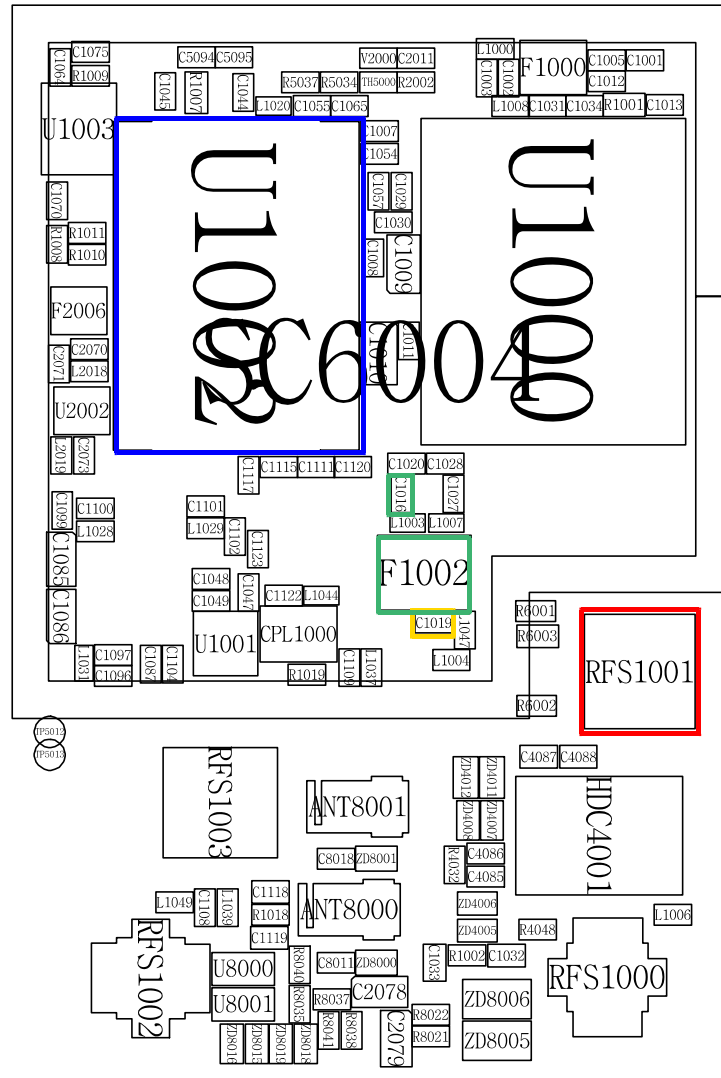
8-3-21. GSM1900 / WCDMA 2 / LTE 2 Rx



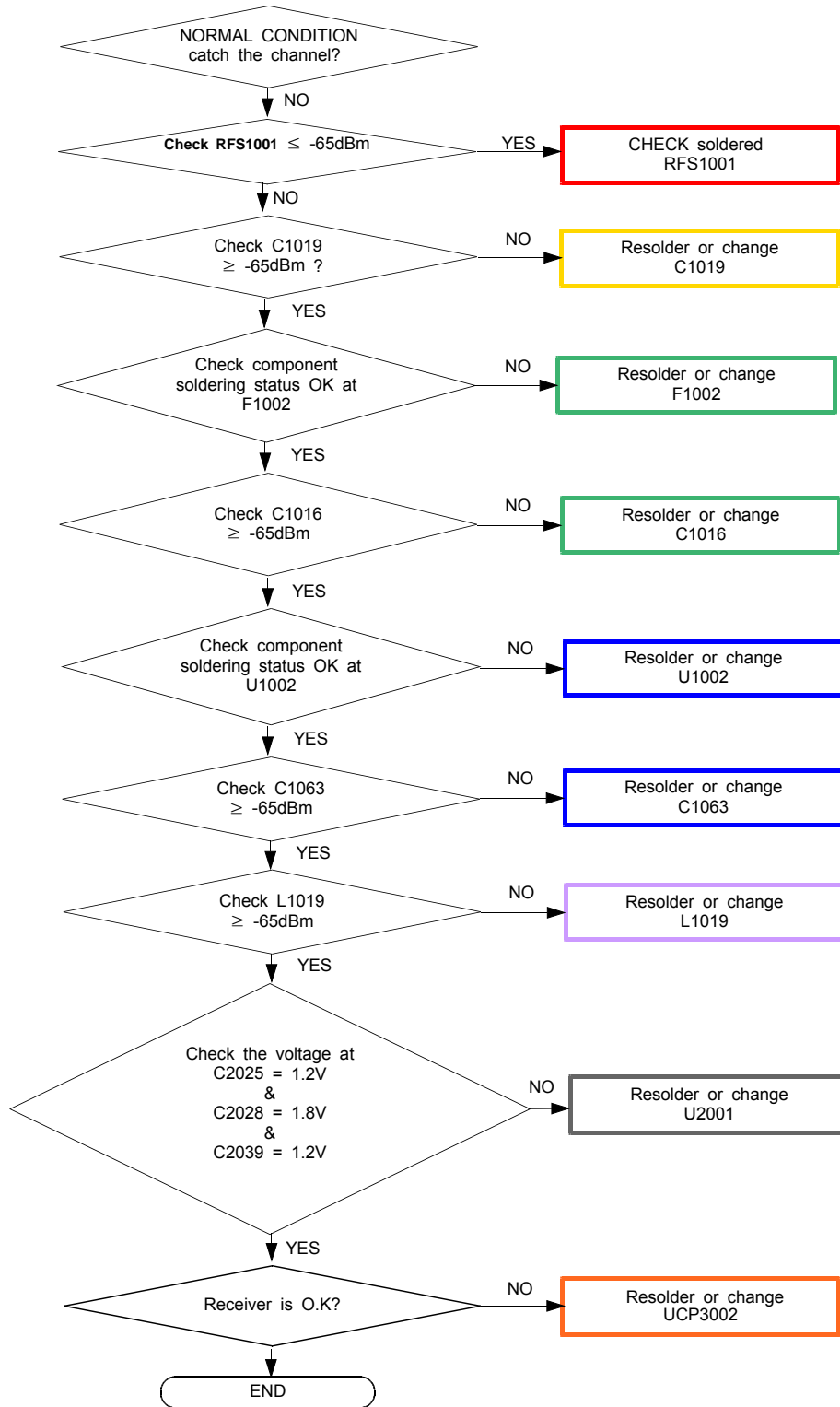


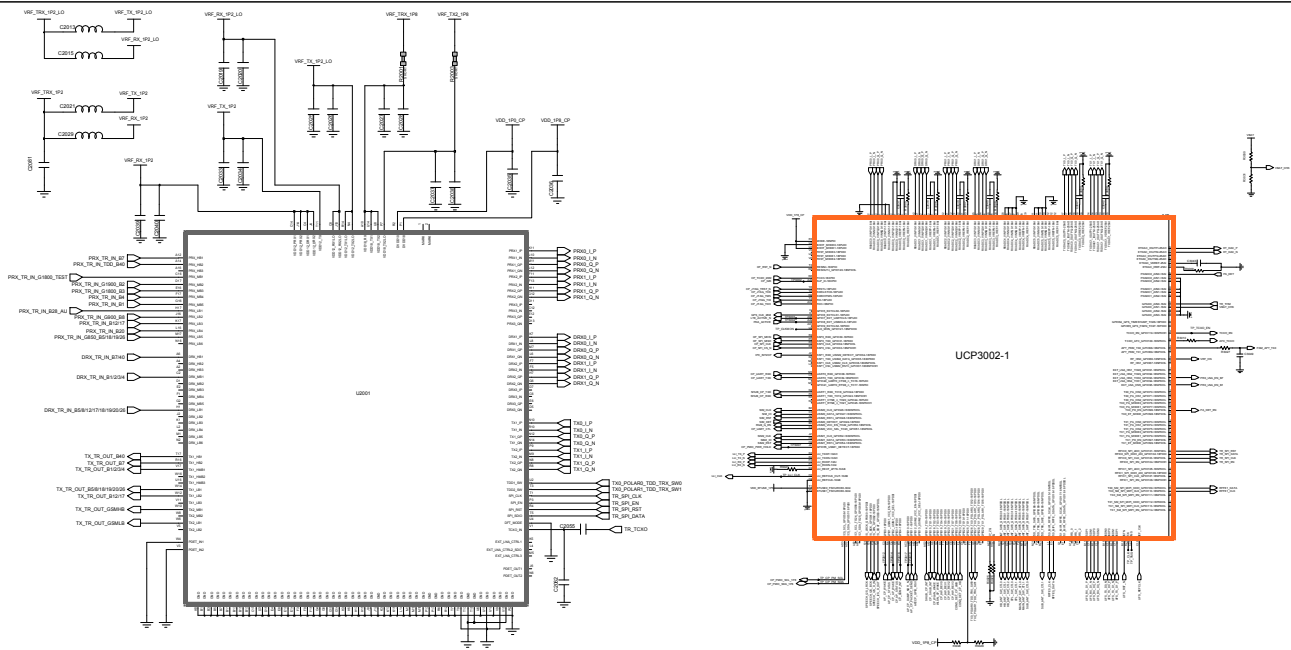
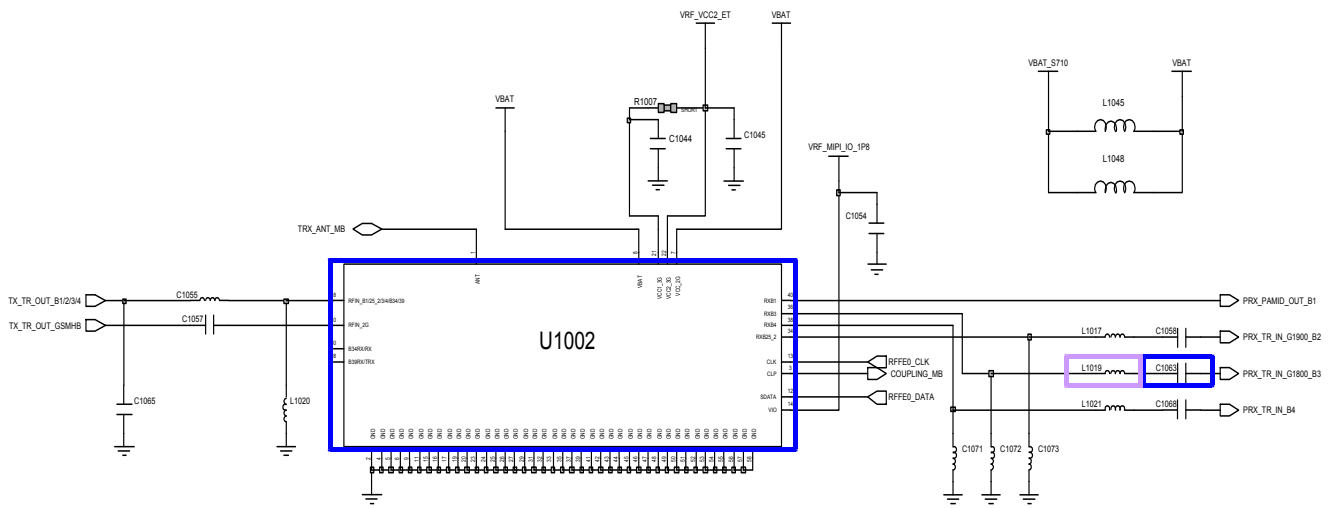
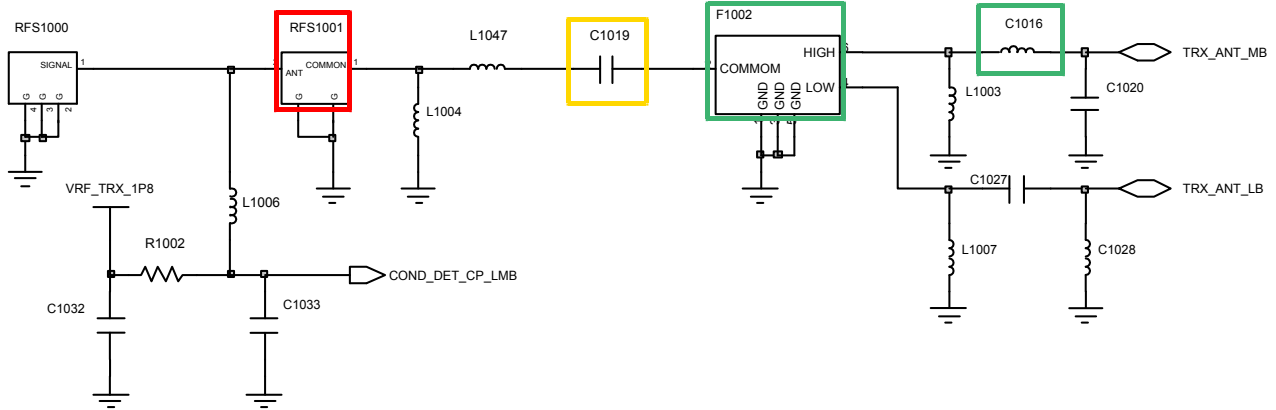
Confidential and proprietary-the contents in this service guide subject to change without prior notice.

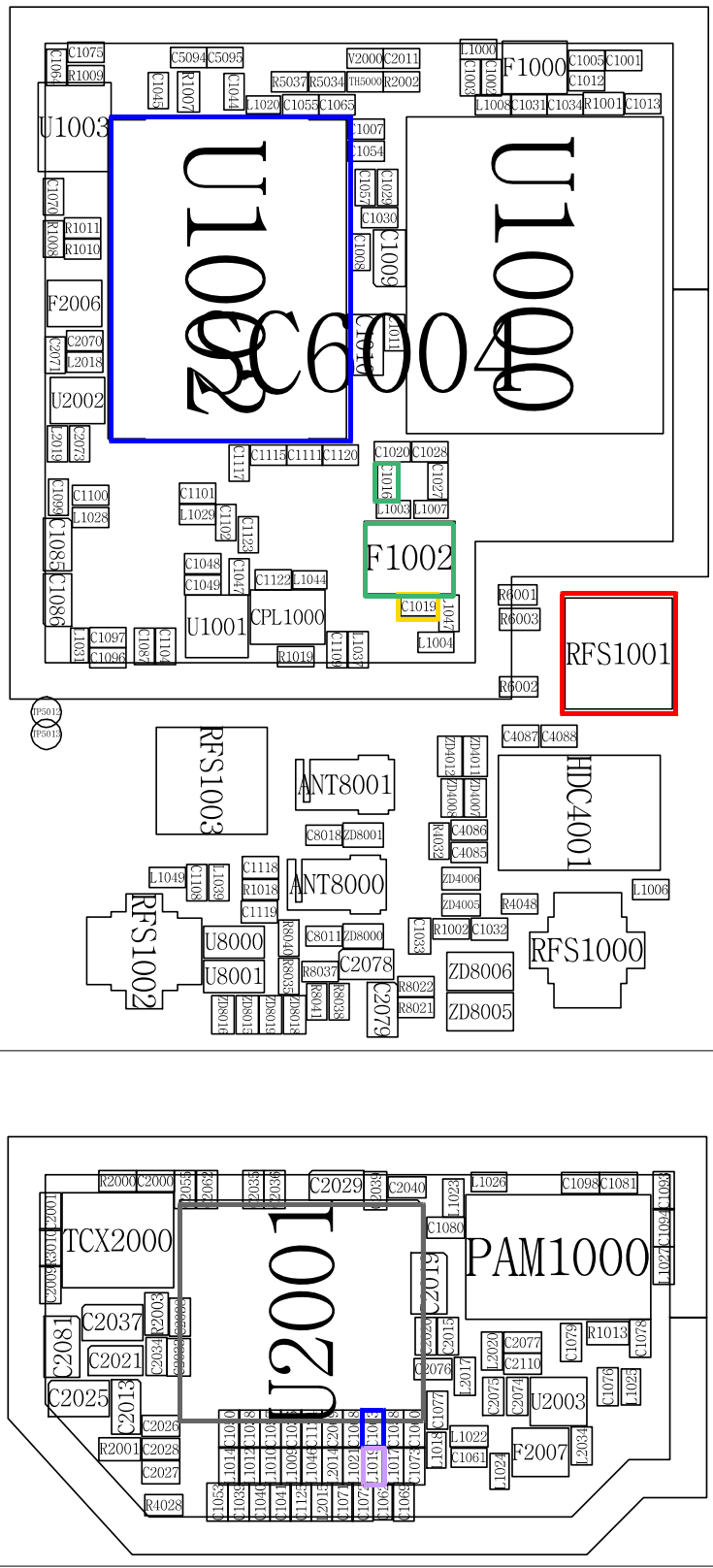
Distribution, transmission, or infringement of any content or data from this document without Samsung's written authorization is strictly prohibited.



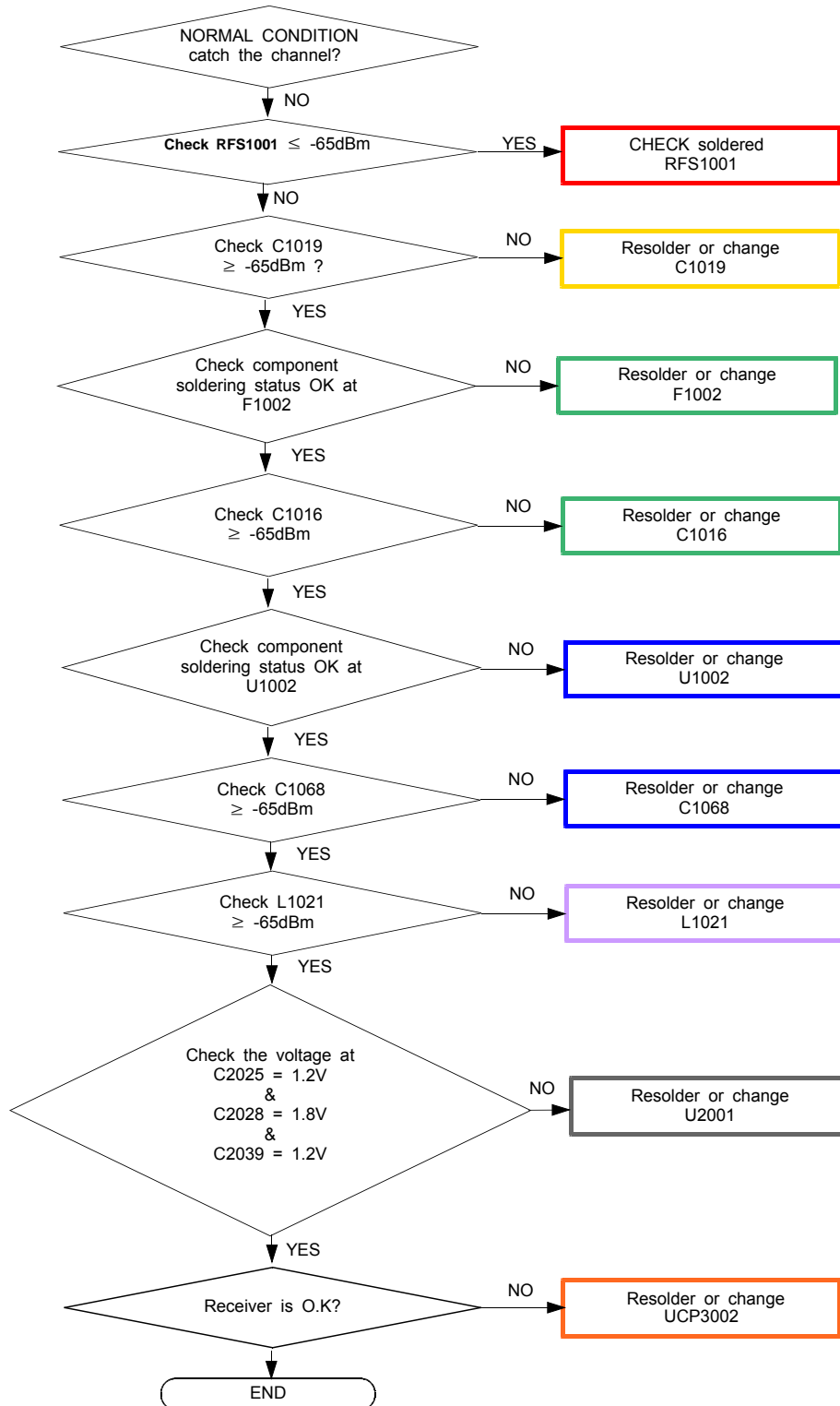
8-3-22. GSM1800 / LTE 3 Rx

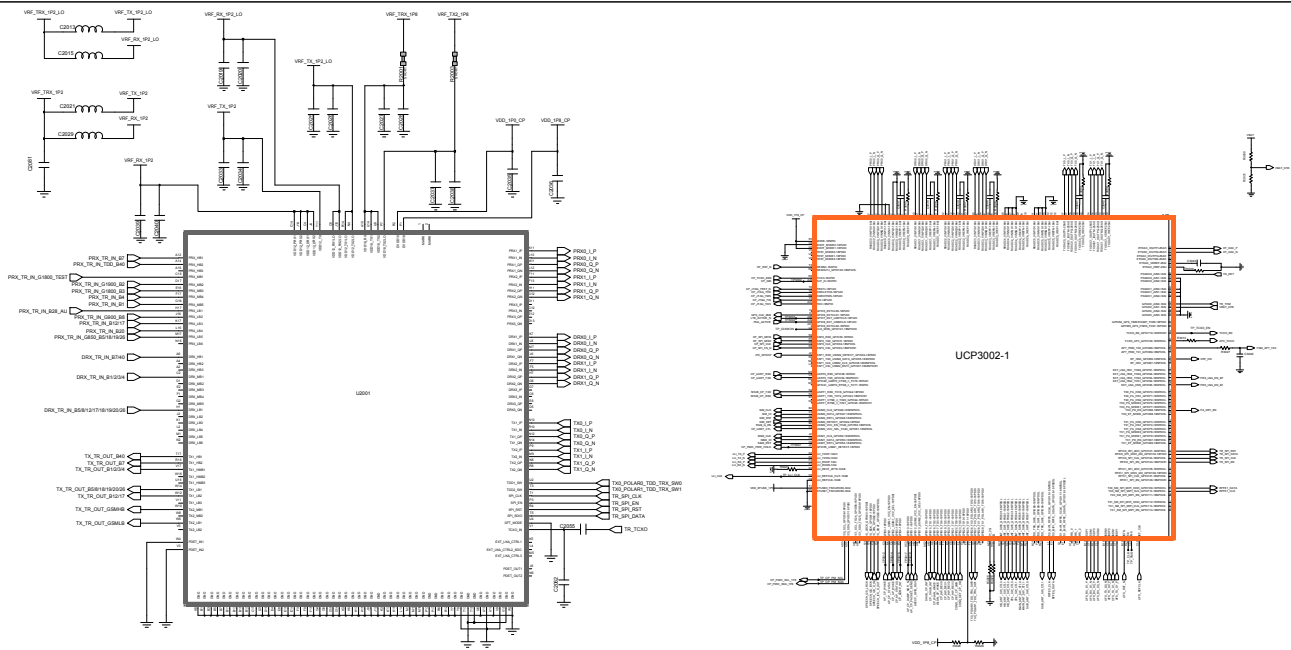
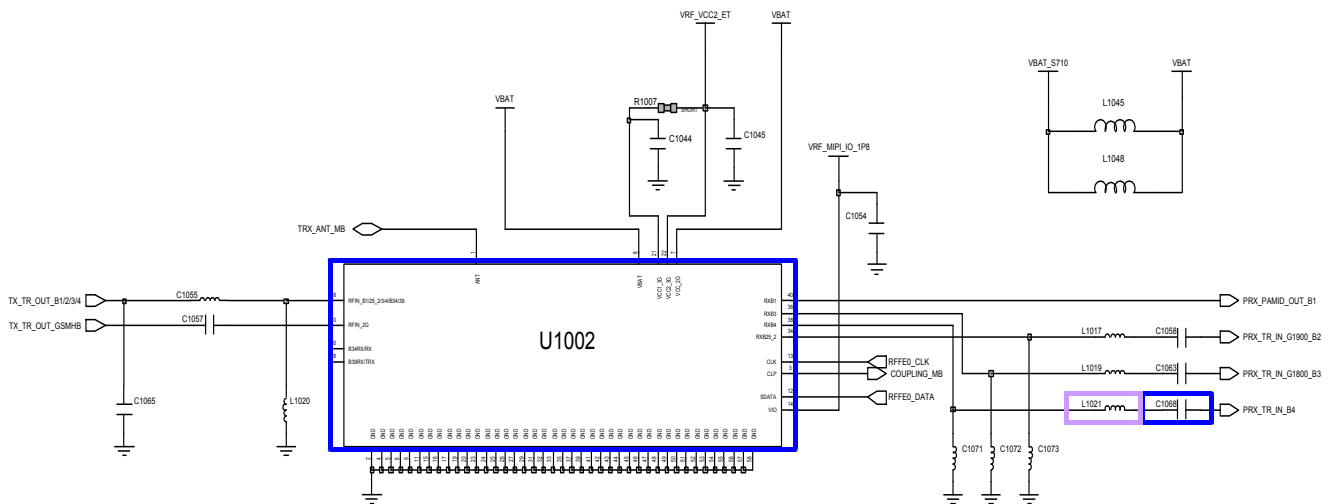
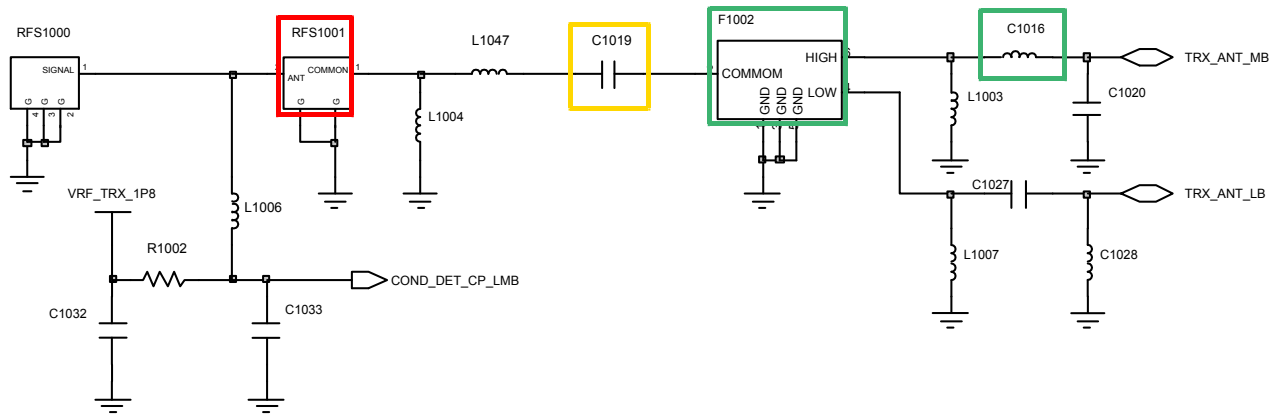


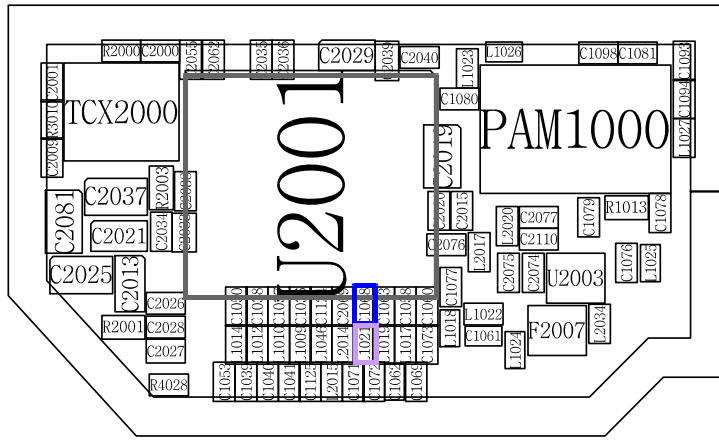
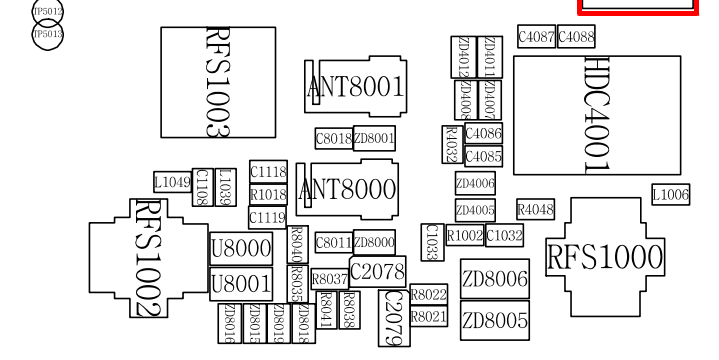
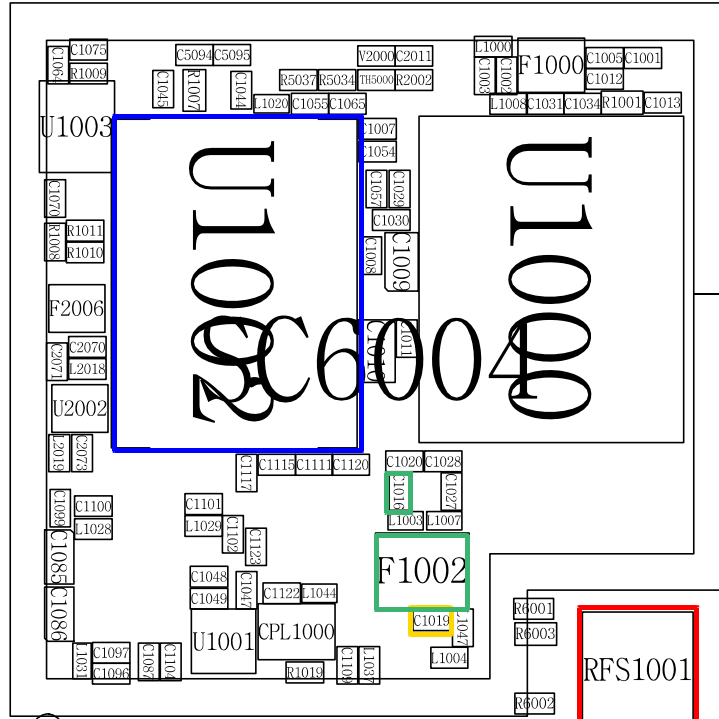




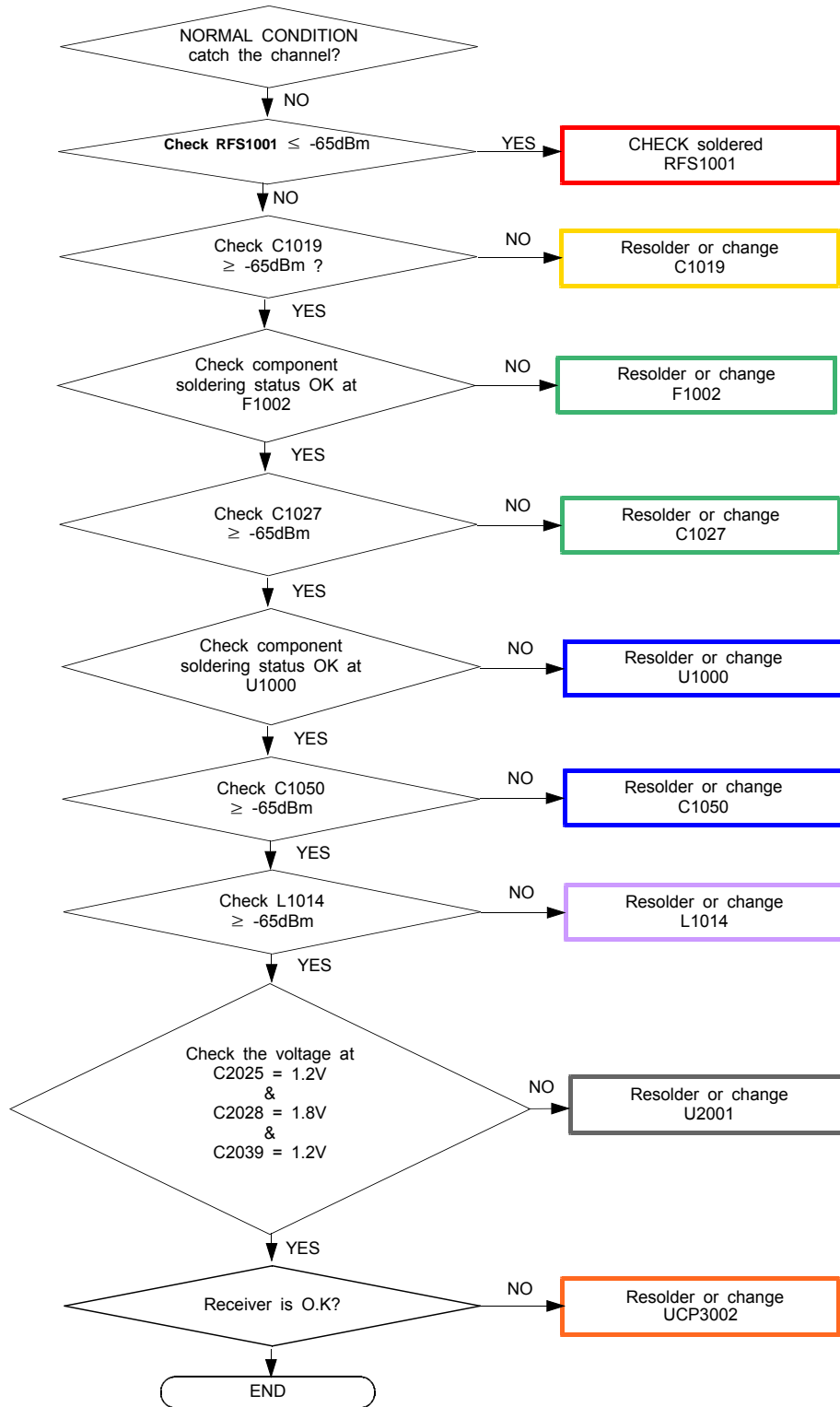
8-3-23. LTE 4 RX

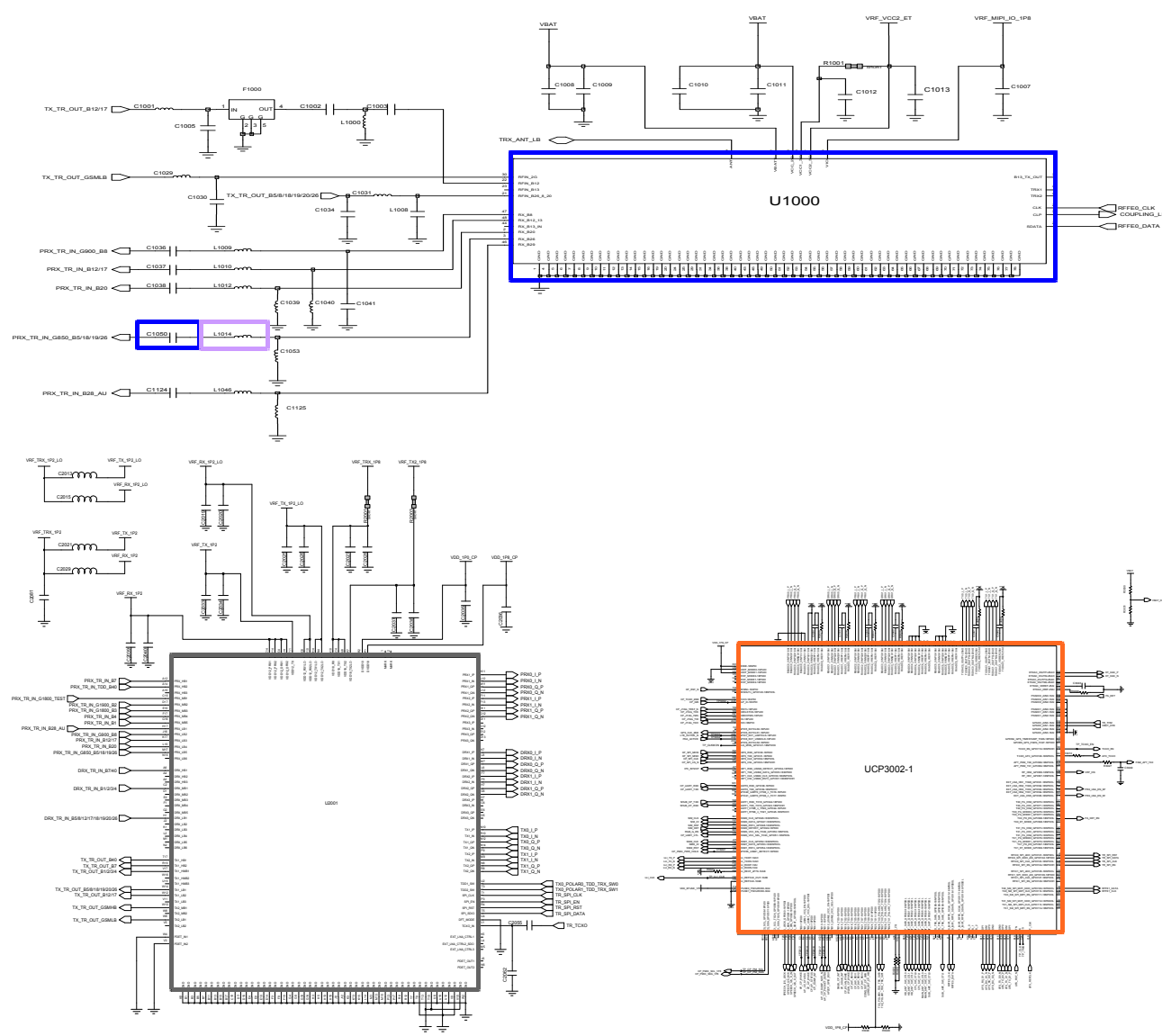
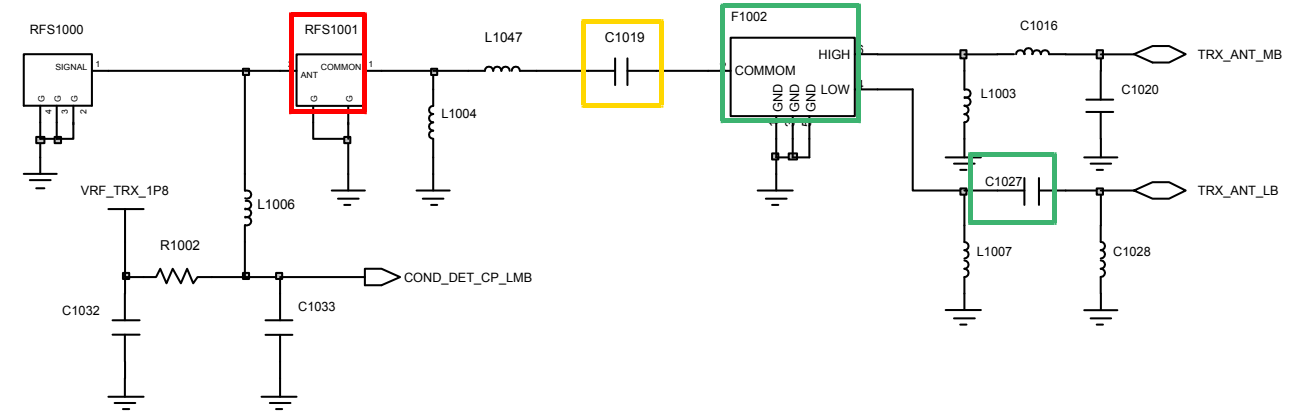






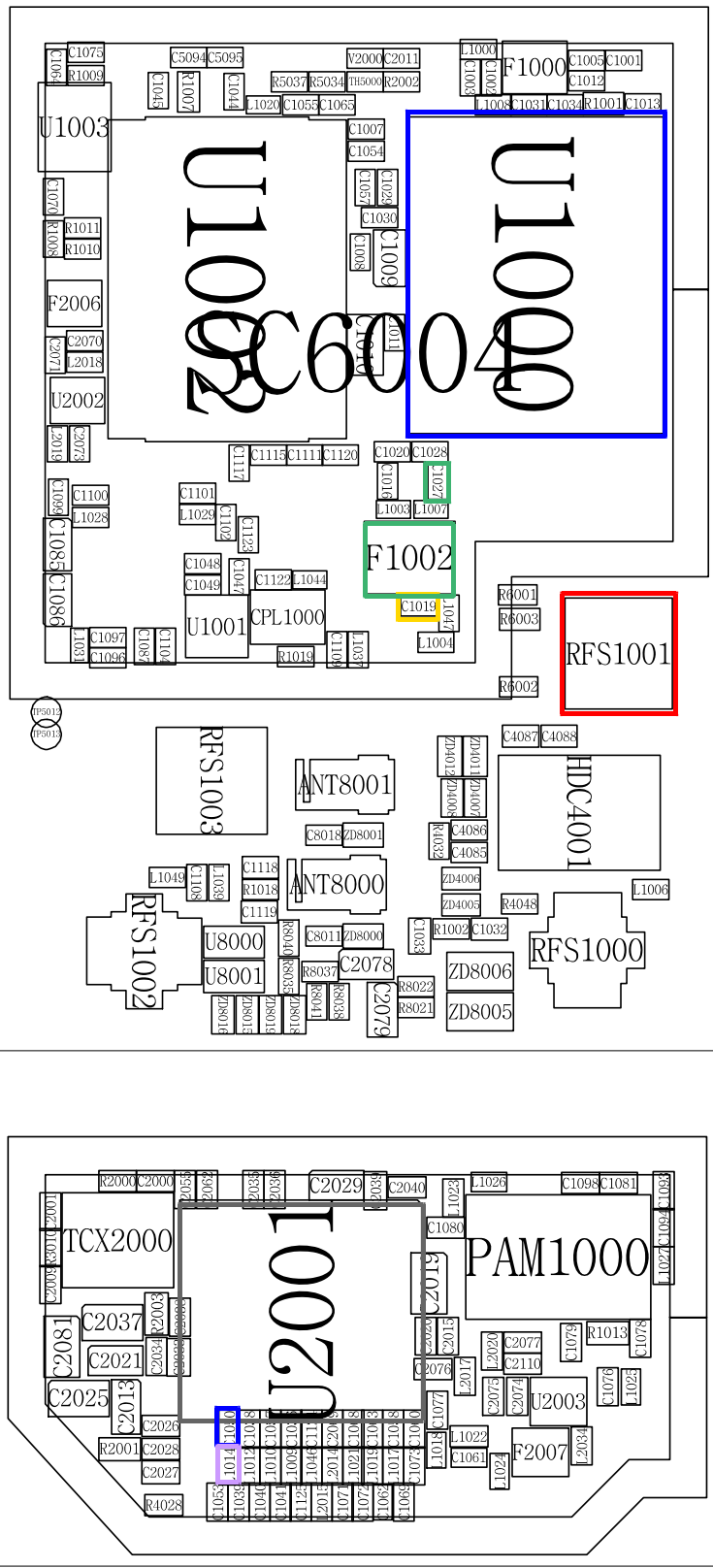
8-3-24. GSM850 / WCDMA 5 / LTE 5, 18, 19, 26 Rx



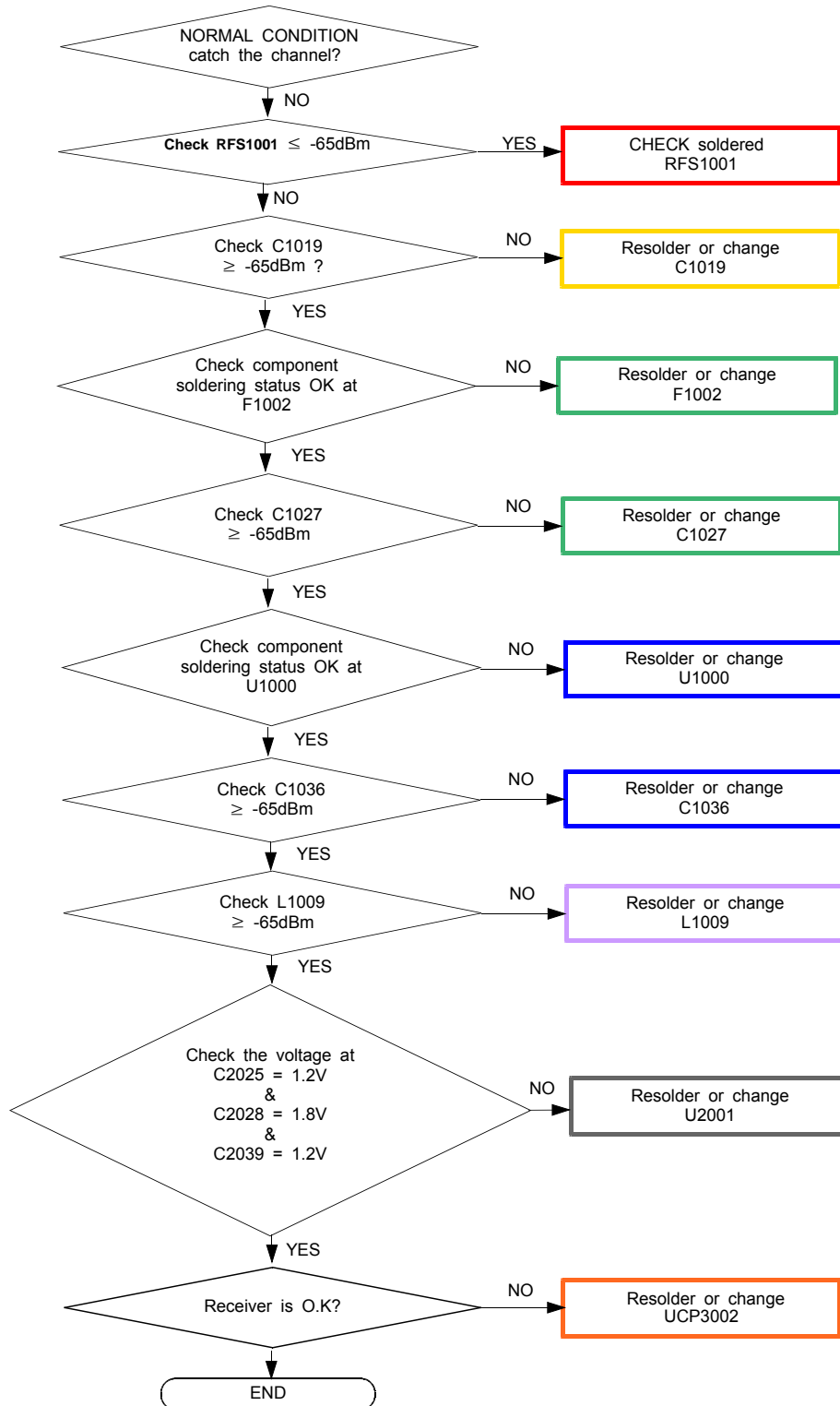


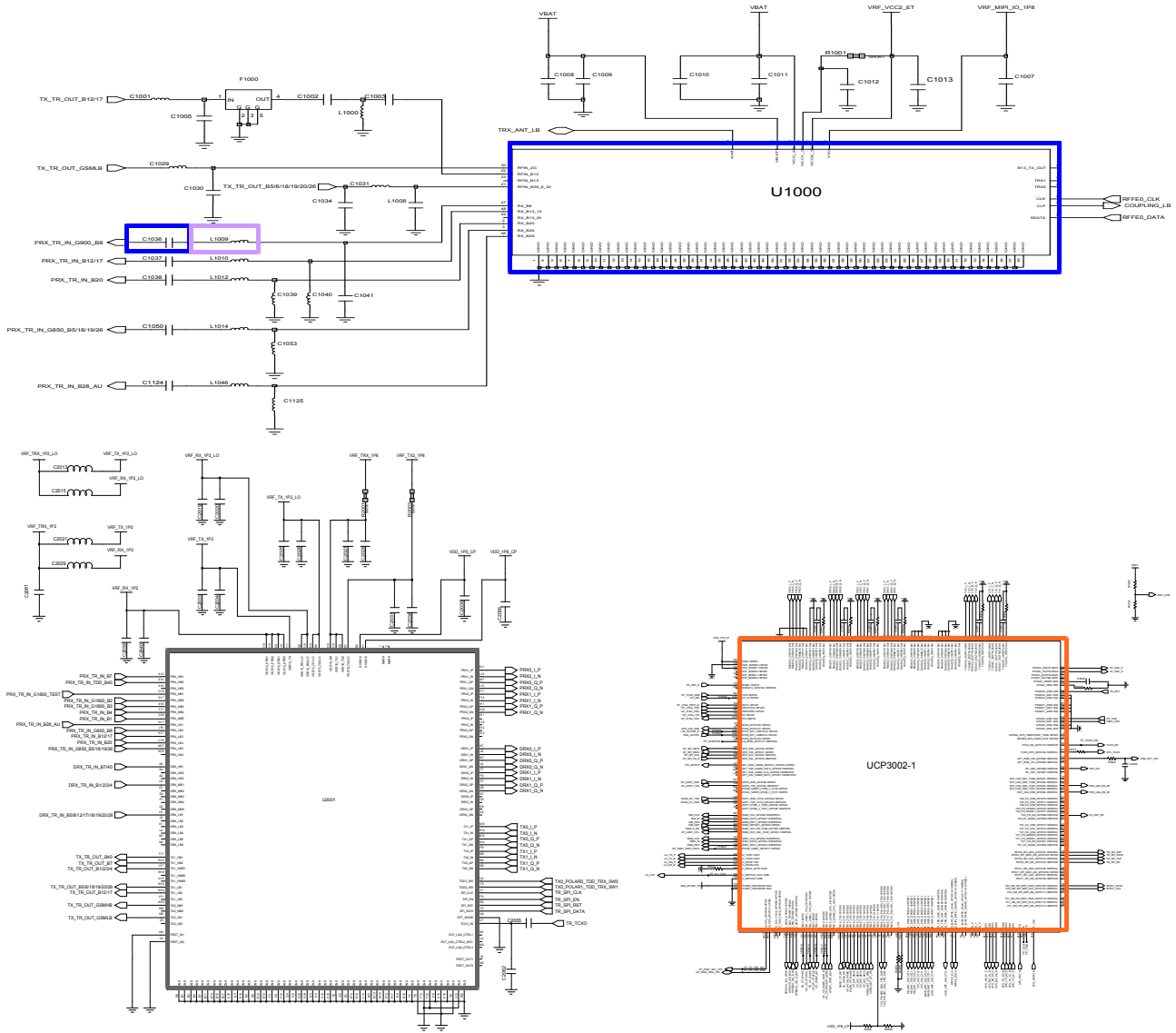
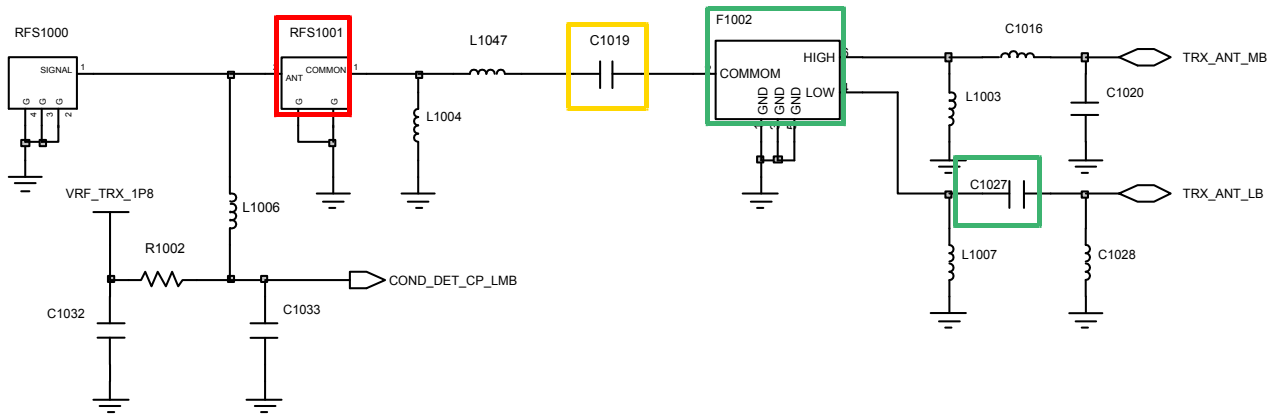
Confidential and proprietary-the contents in this service guide subject to change without prior notice.

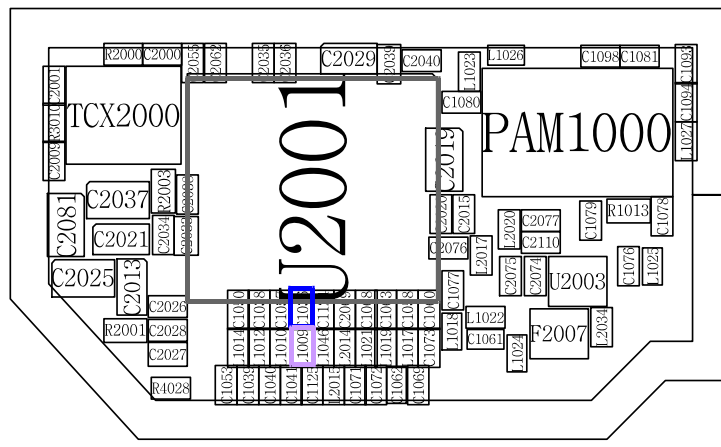
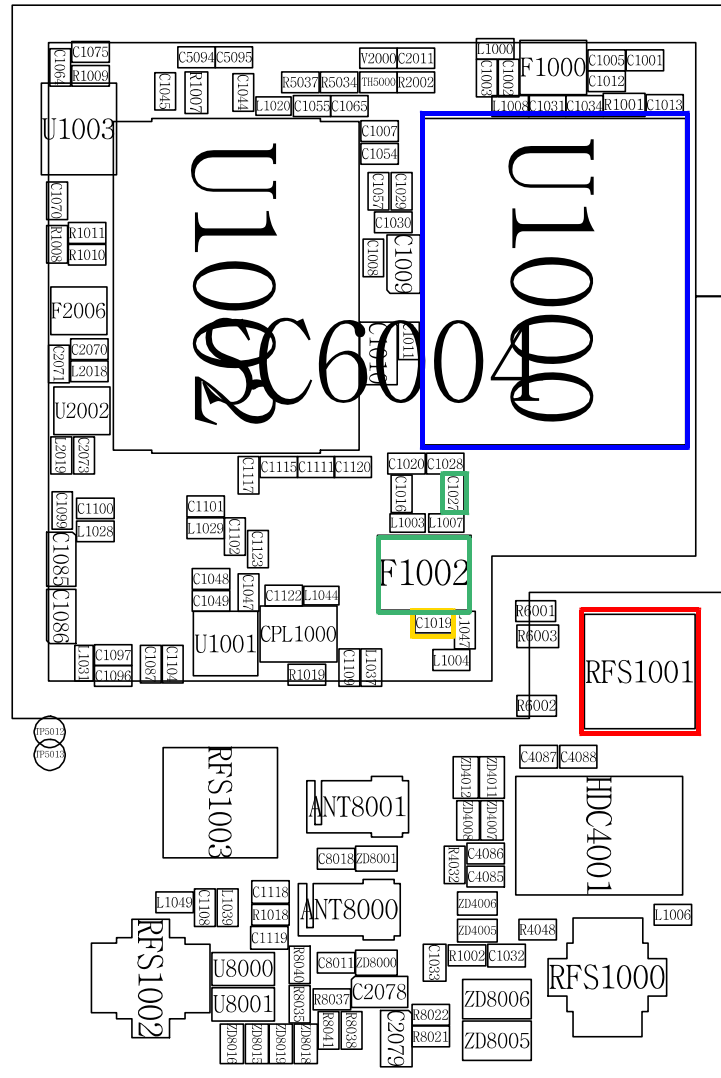
Distribution, transmission, or infringement of any content or data from this document without Samsung's written authorization is strictly prohibited.



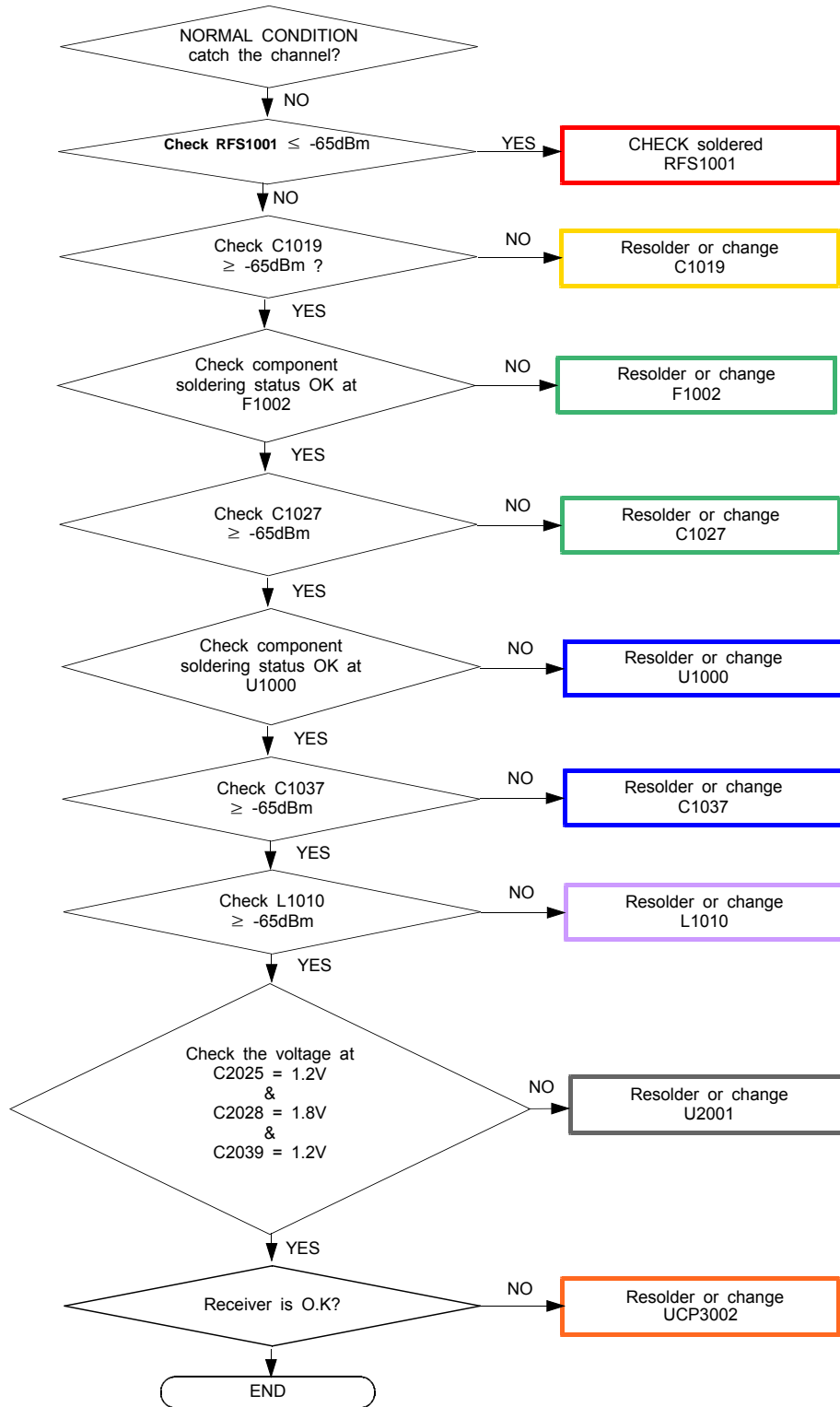
8-3-25. GSM900 / WCDMA 8 / LTE 8 Rx

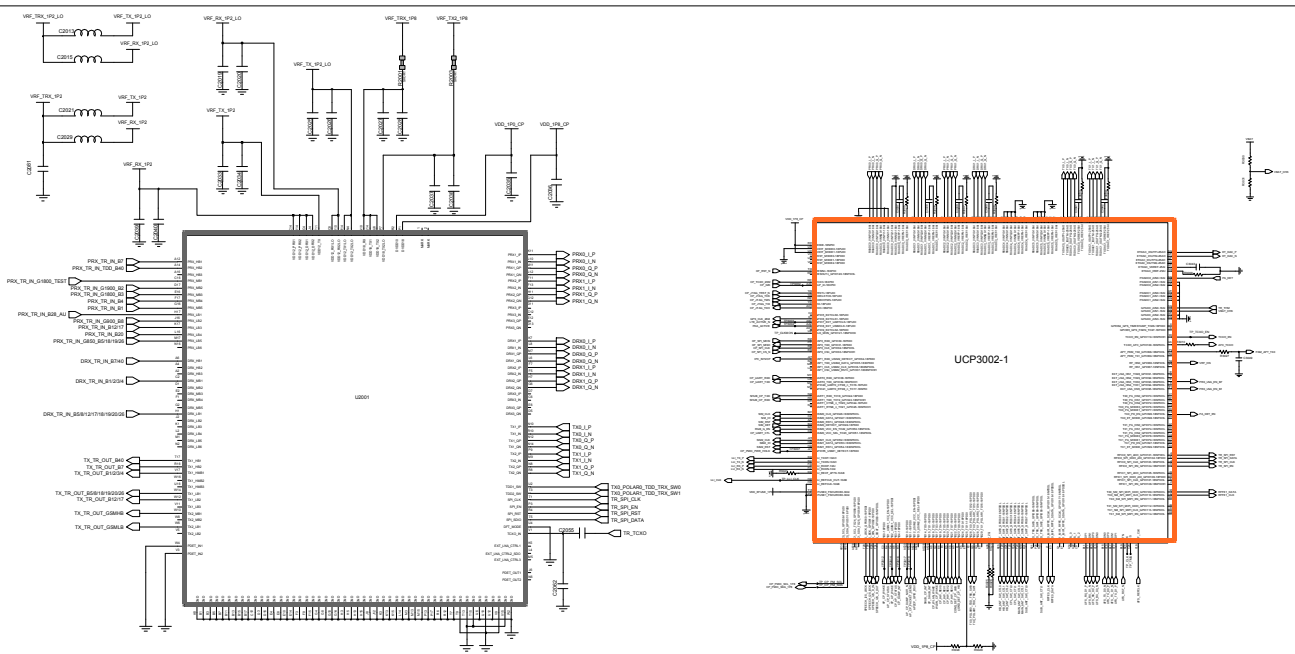
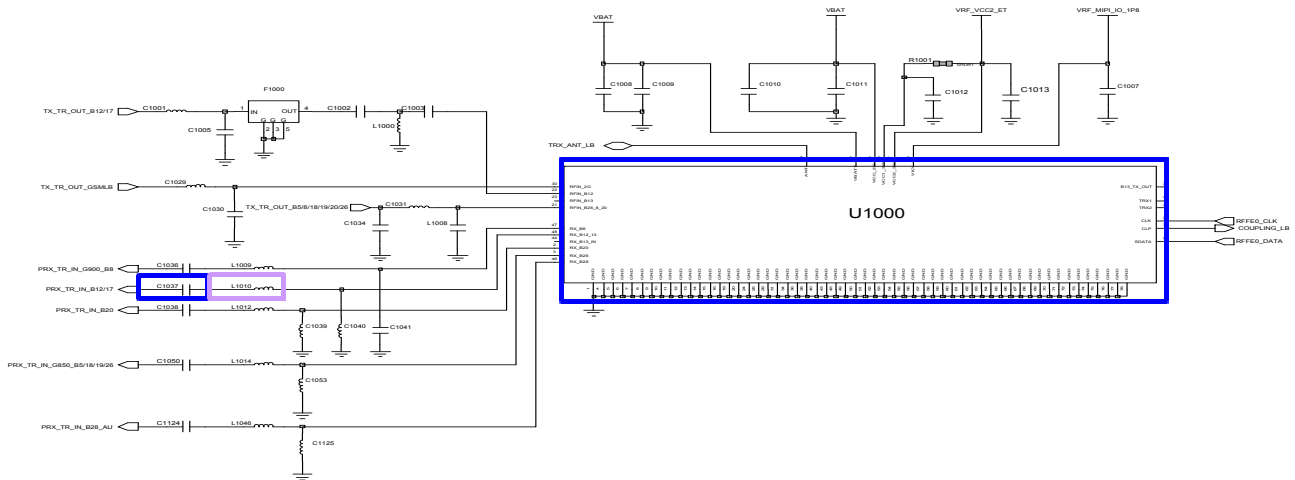
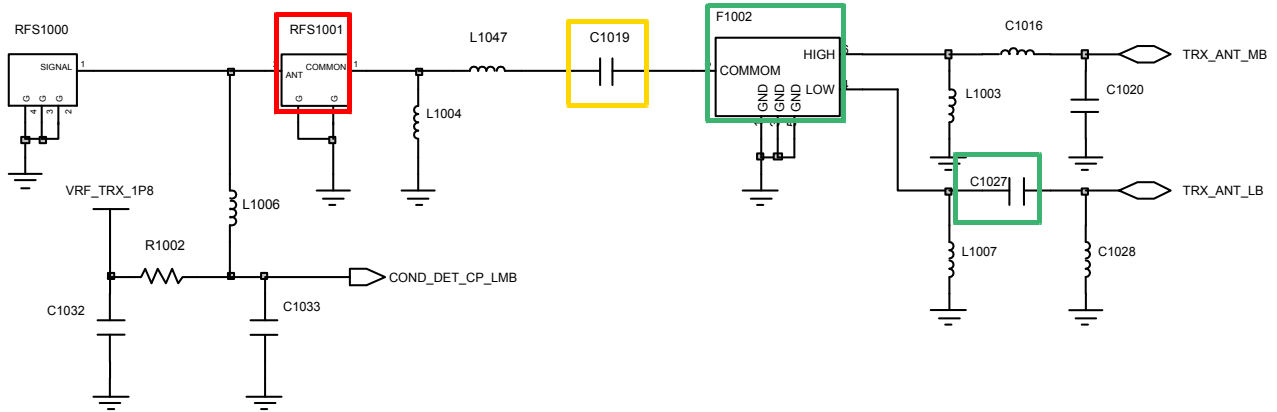


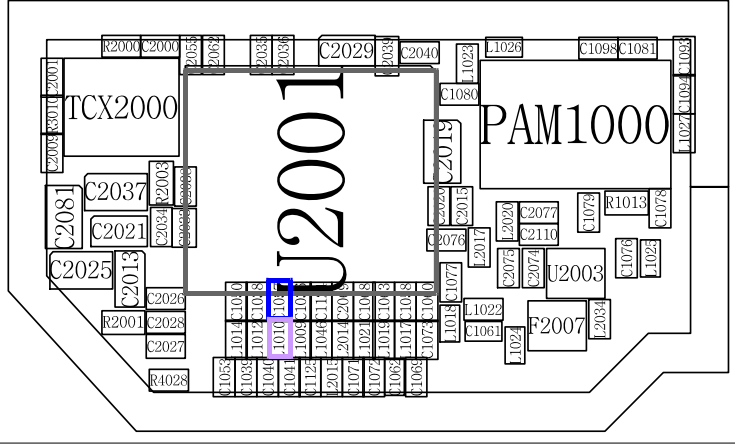
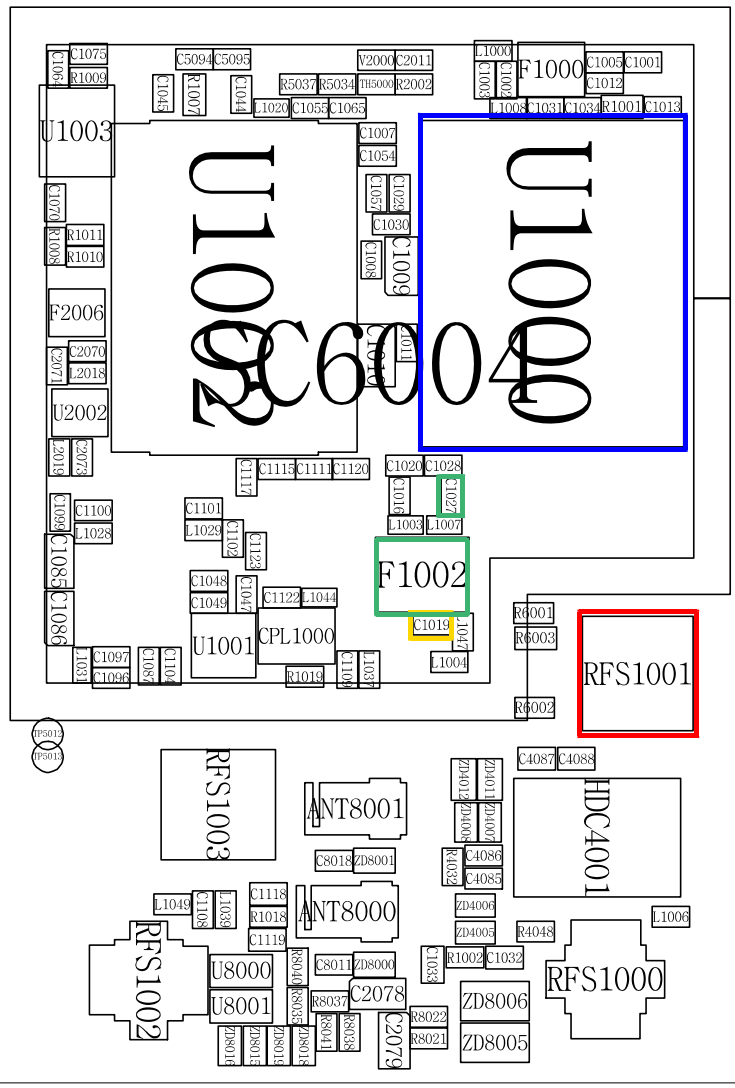




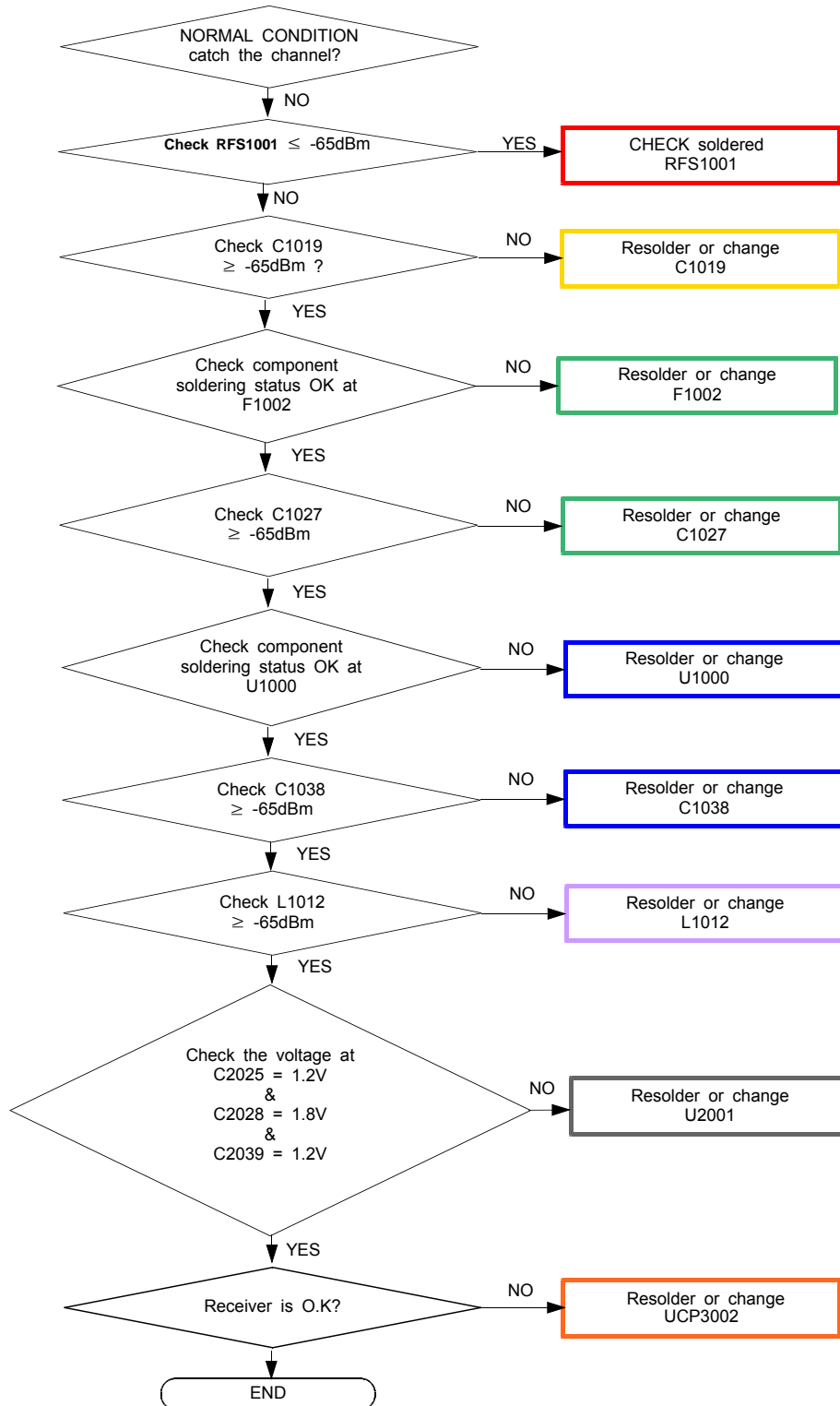
8-3-26. LTE 12, 17 RX

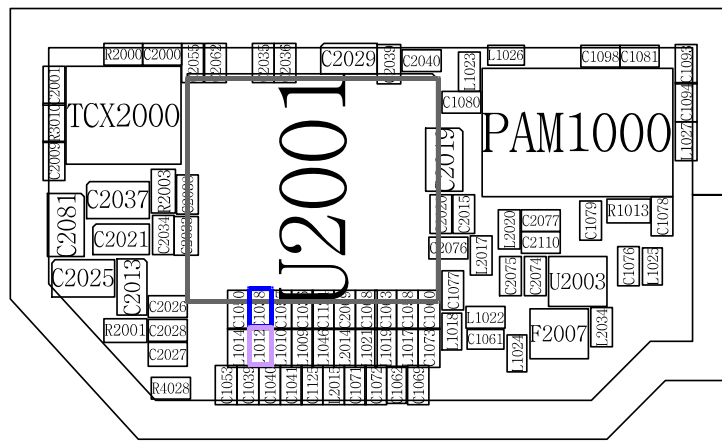
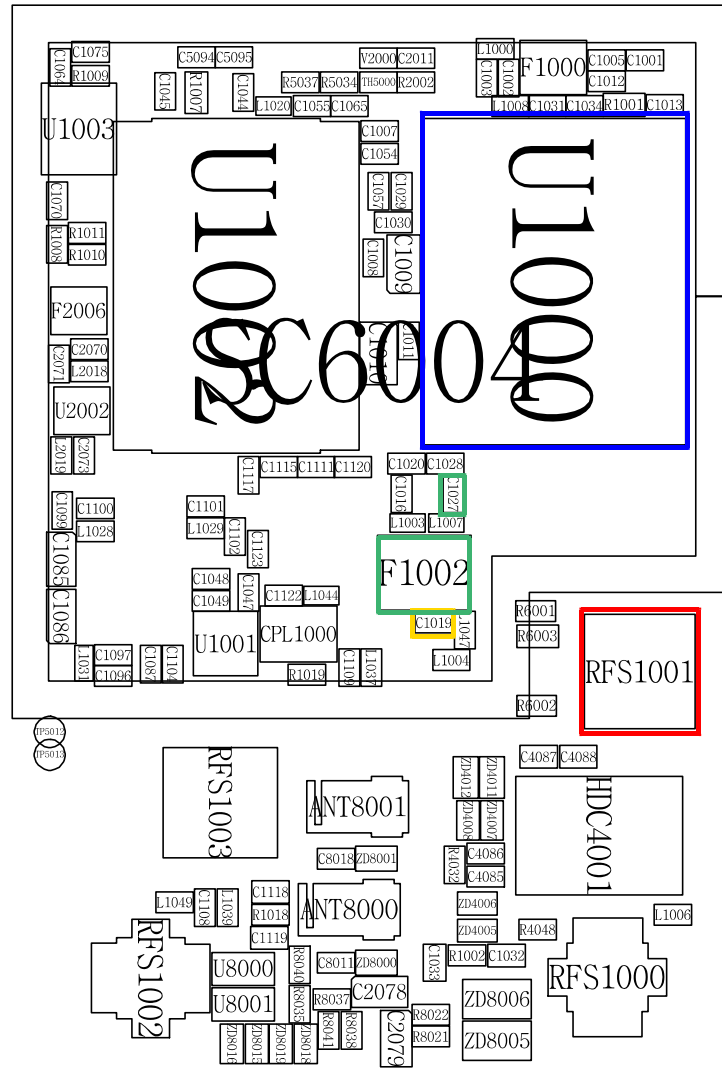




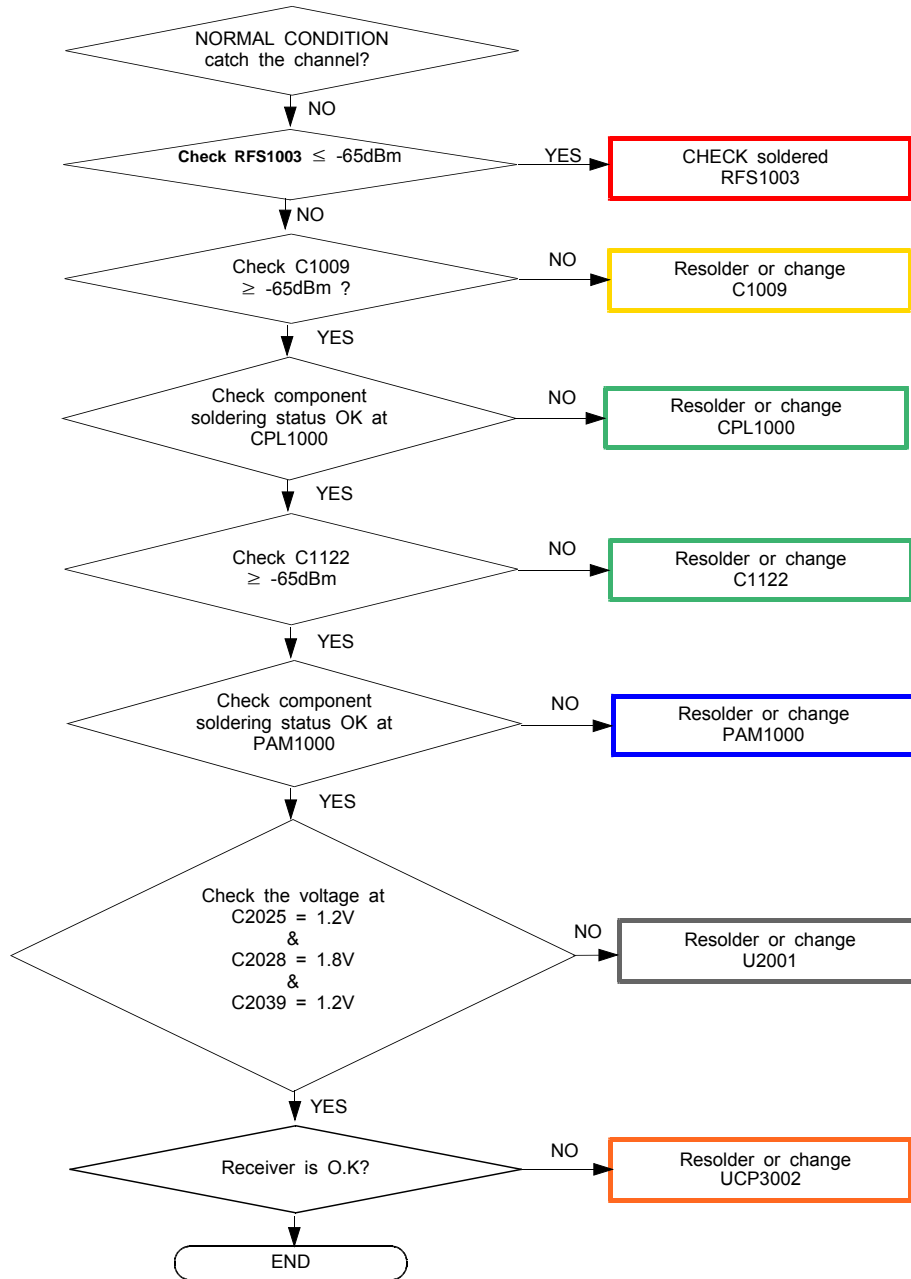


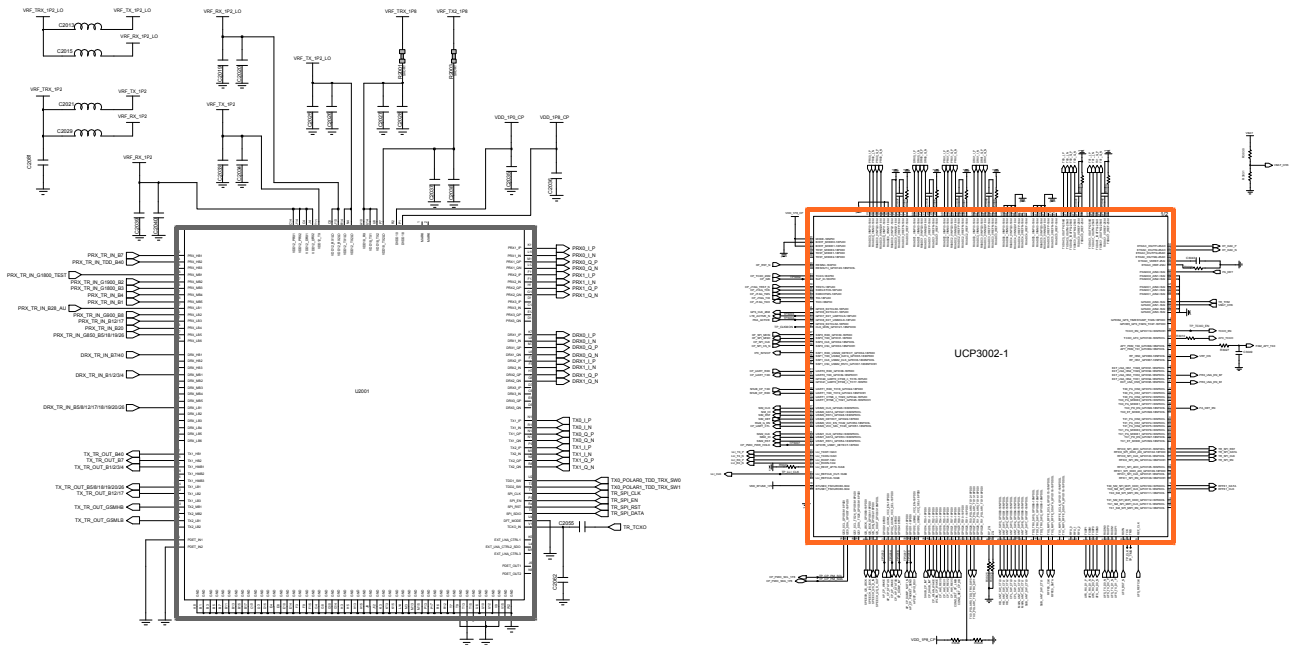
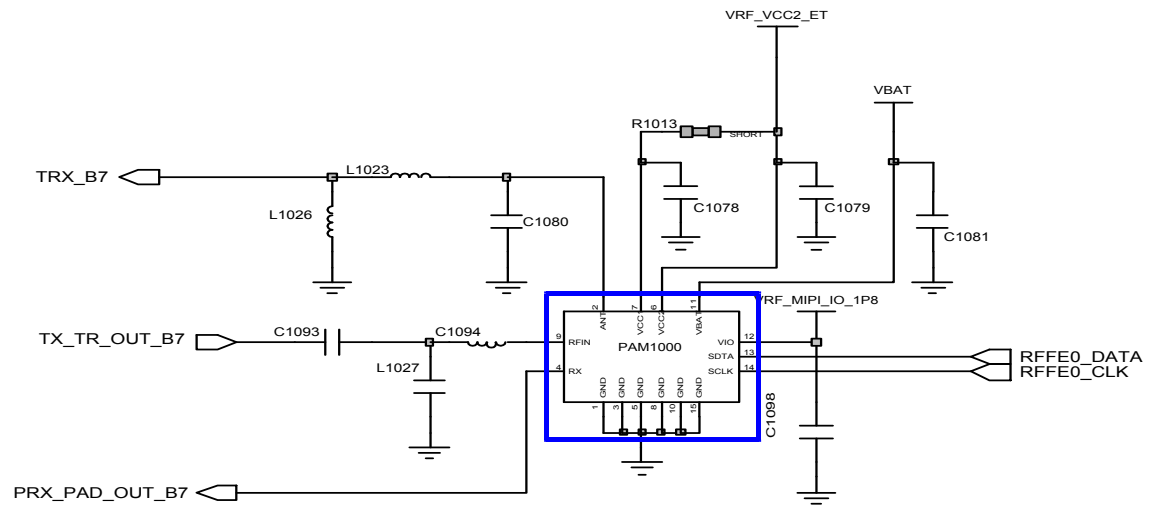
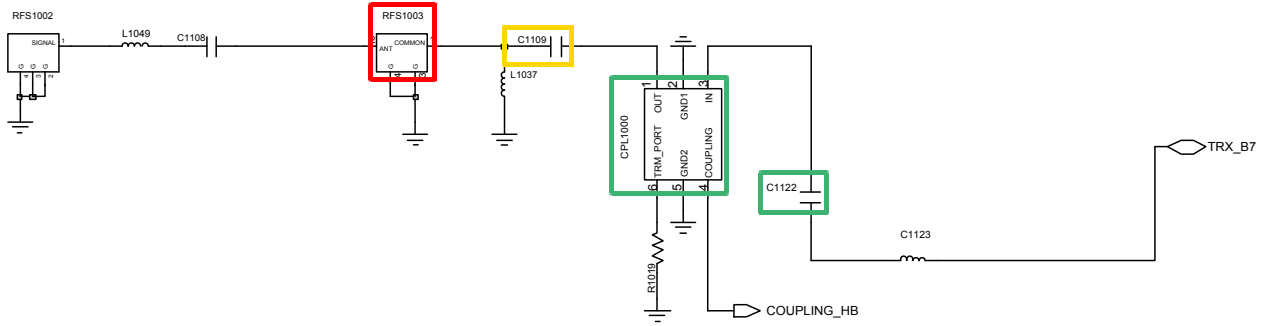
8-3-27. LTE 20 RX

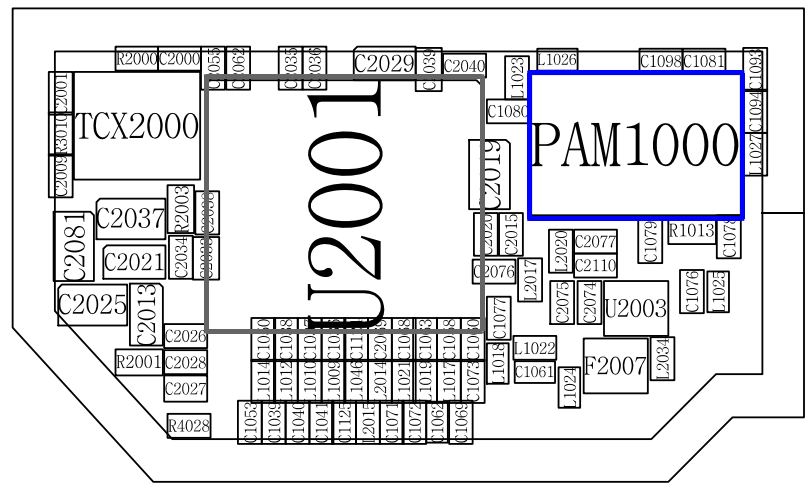
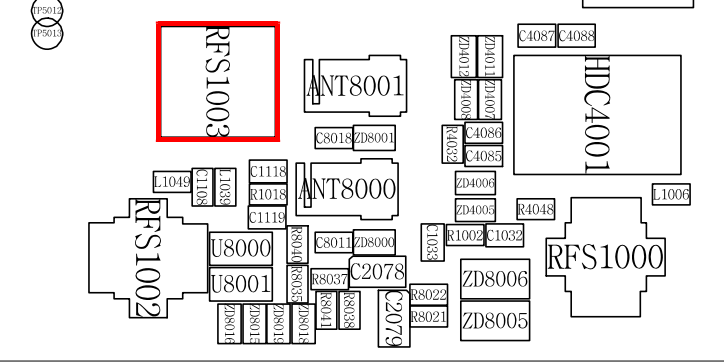
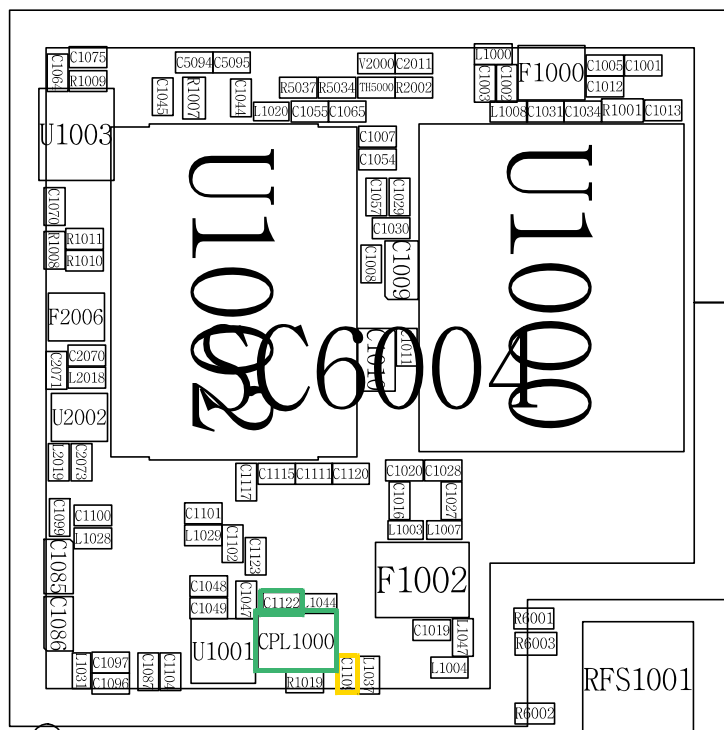




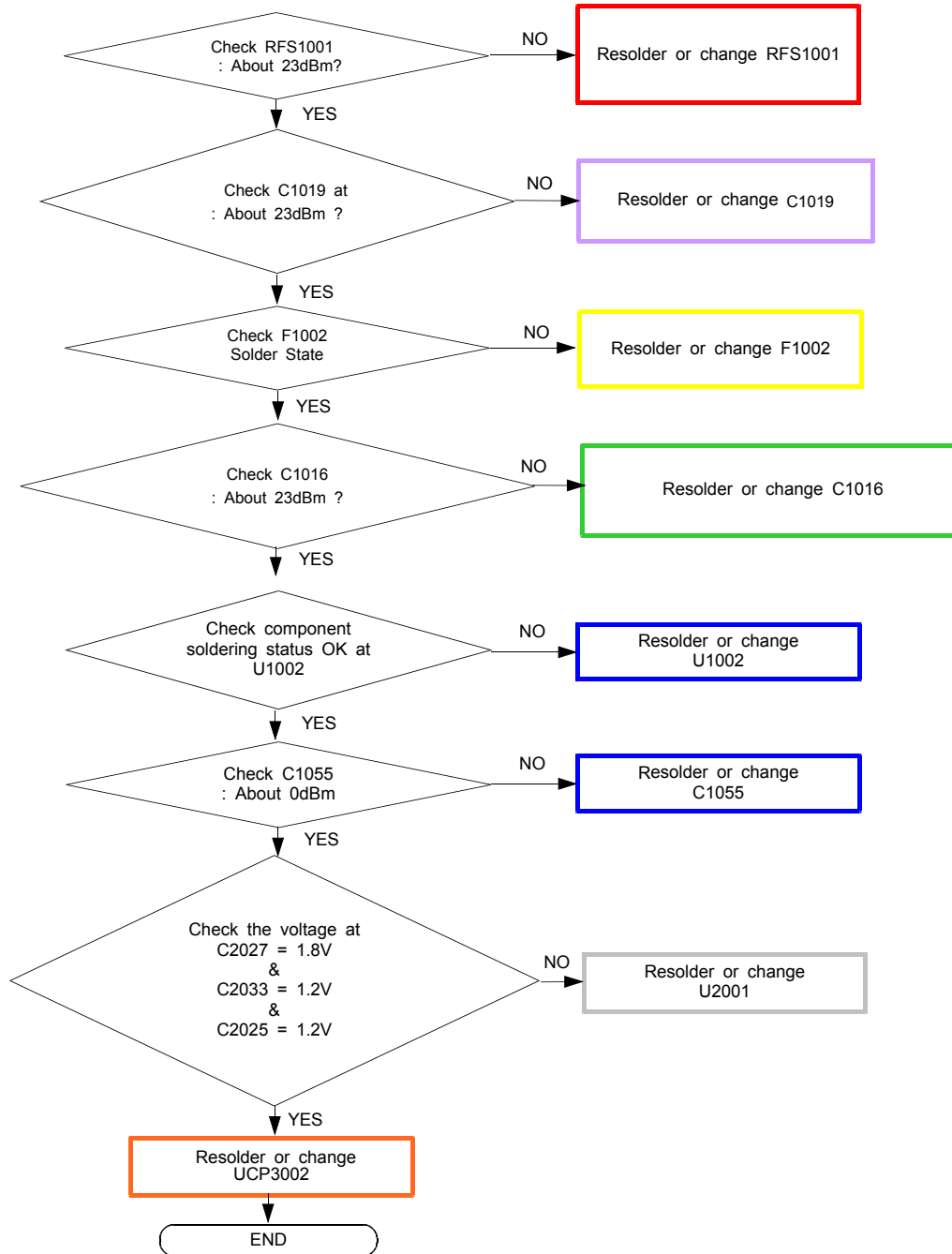
8-3-28. LTE 7 RX

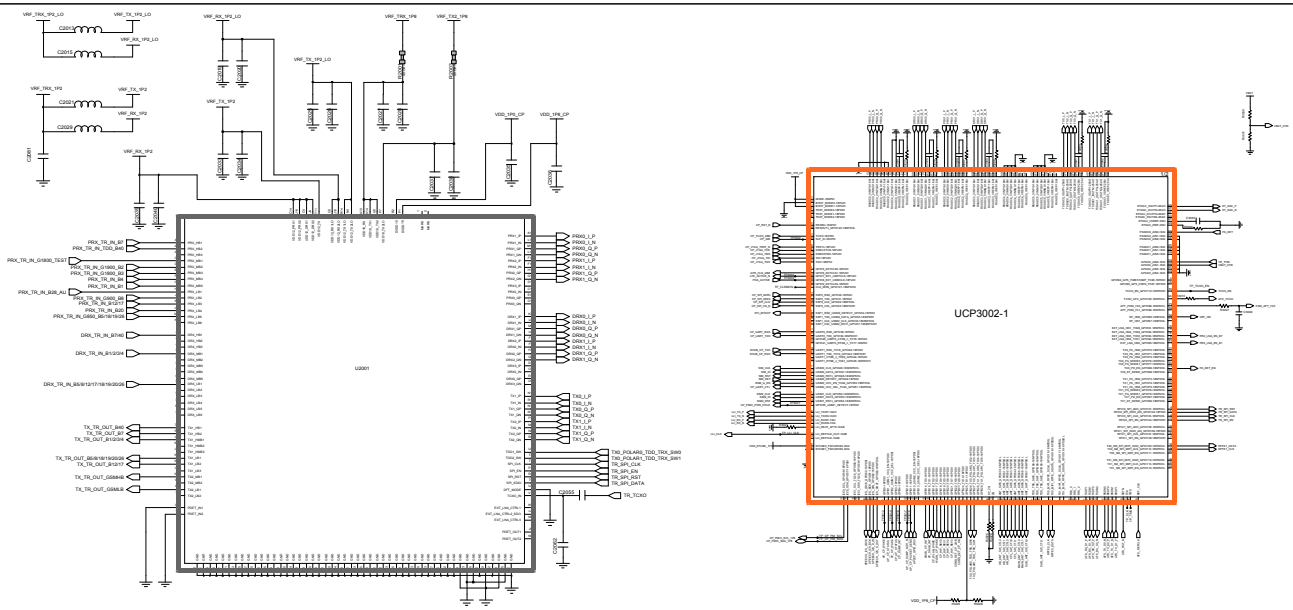
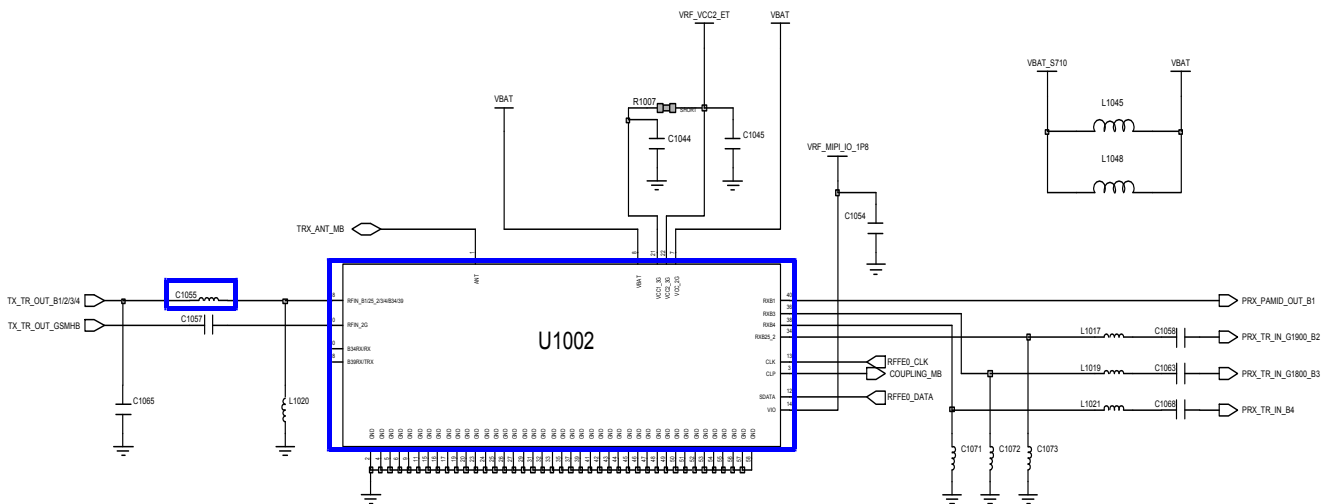
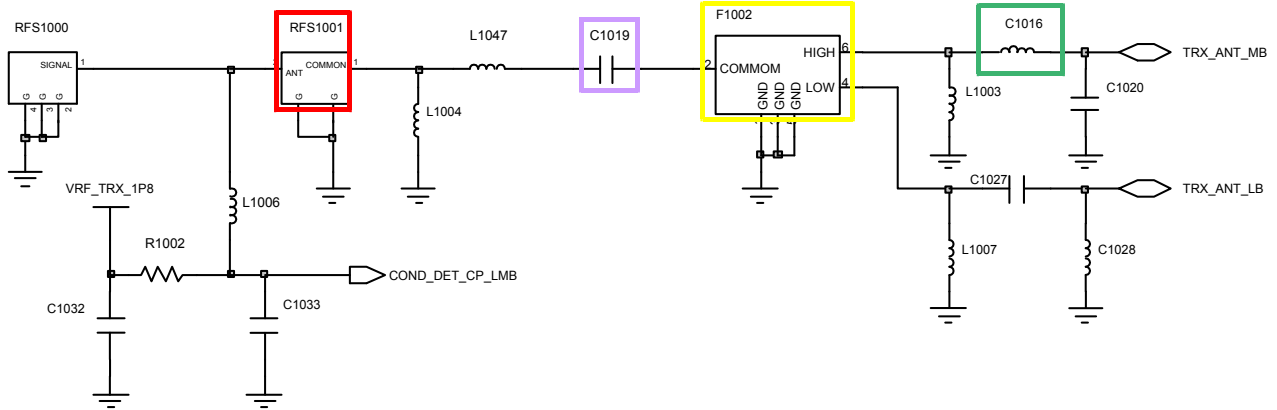


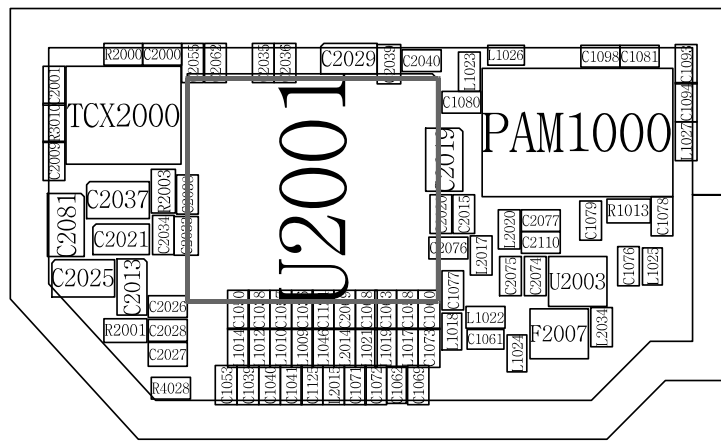
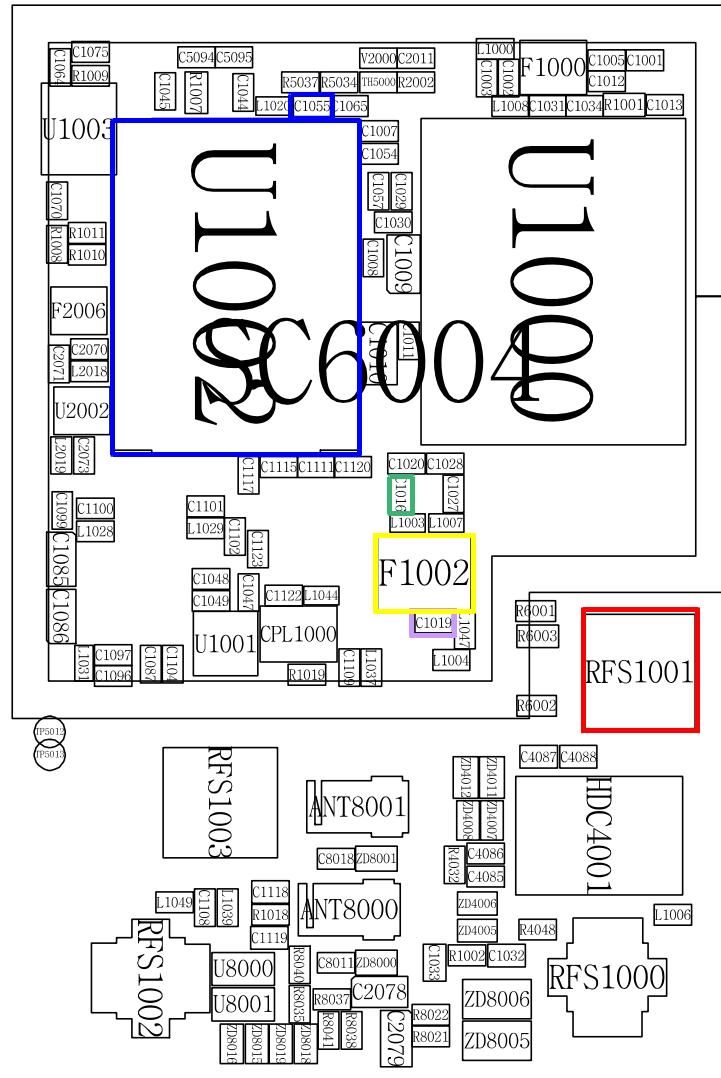




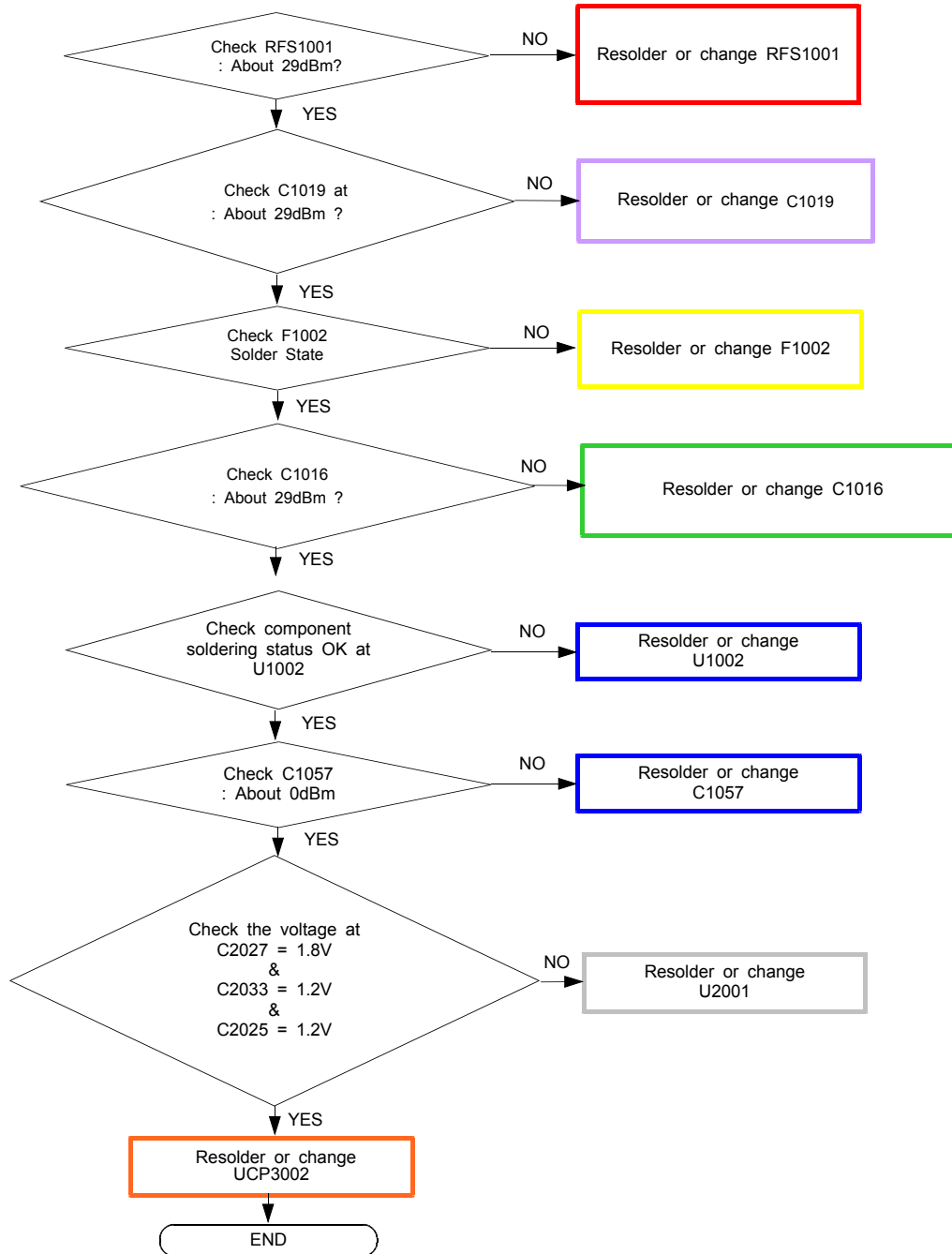
8-3-29. WCDMA 1, 2, 3, 4 / LTE 1, 2, 3, 4 TX

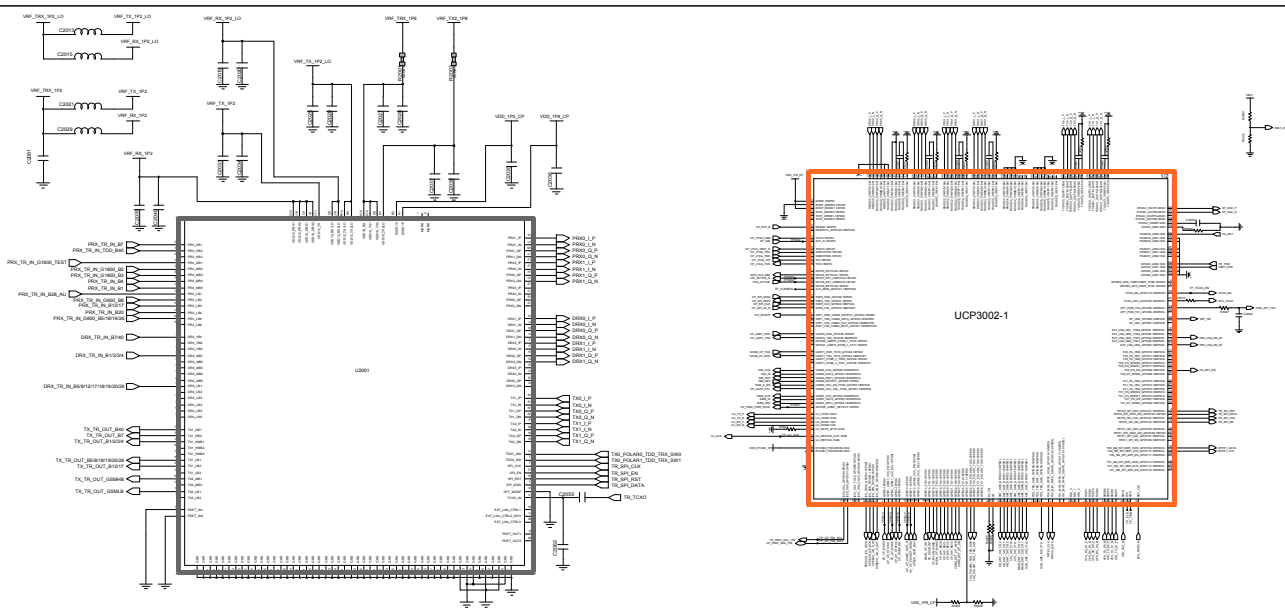
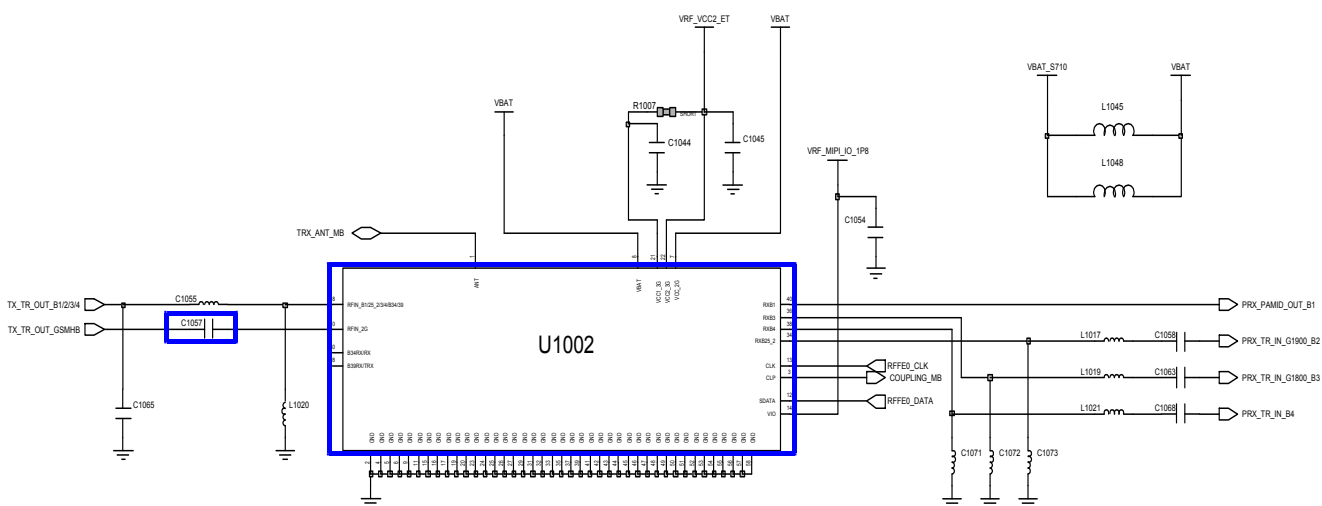
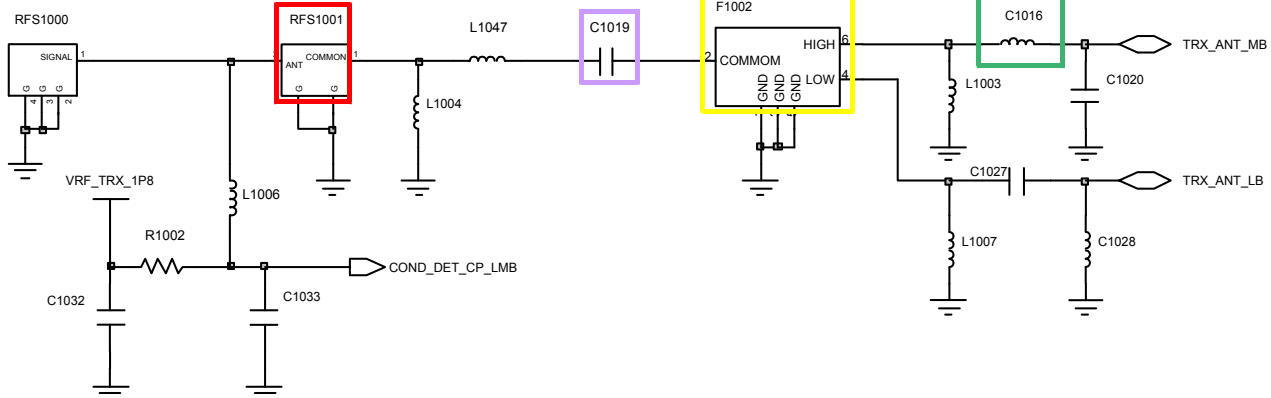


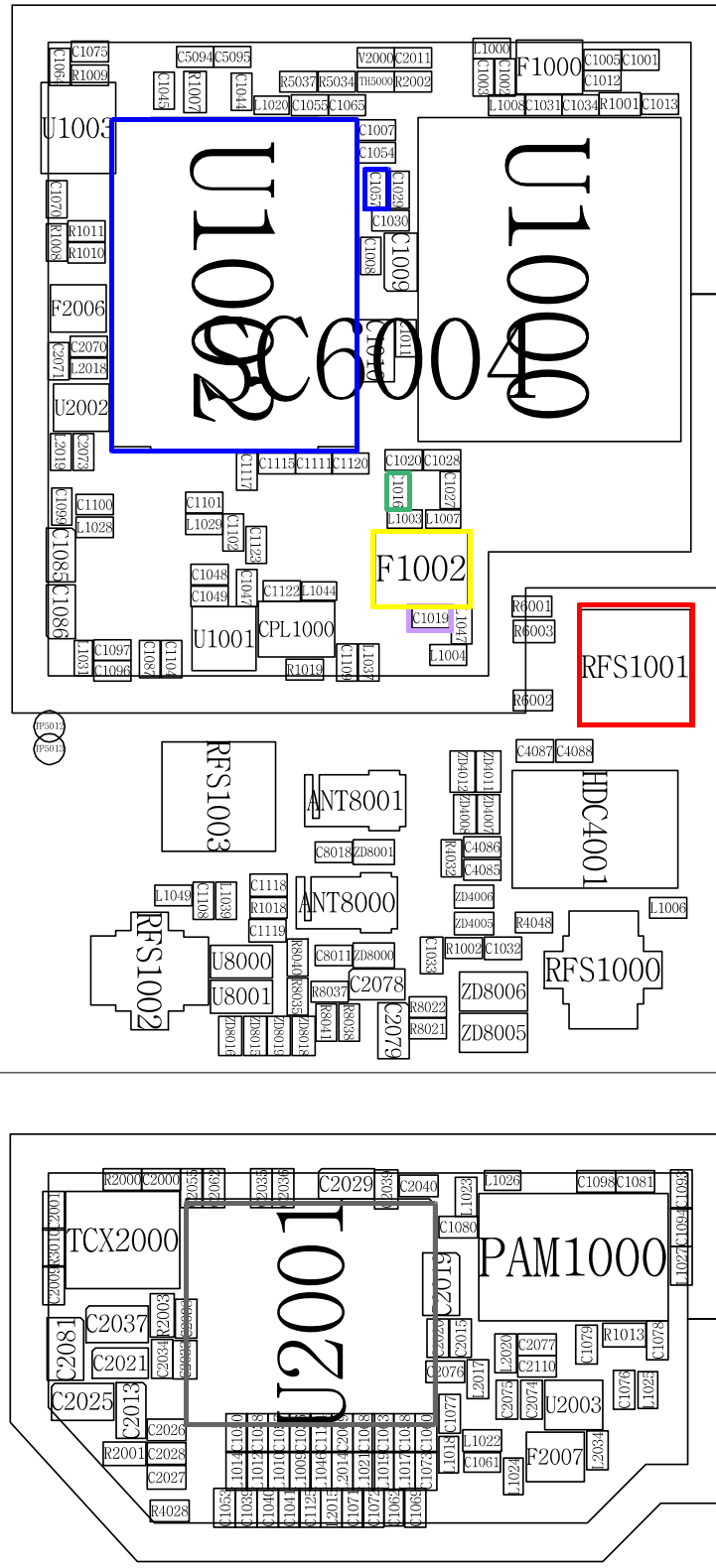




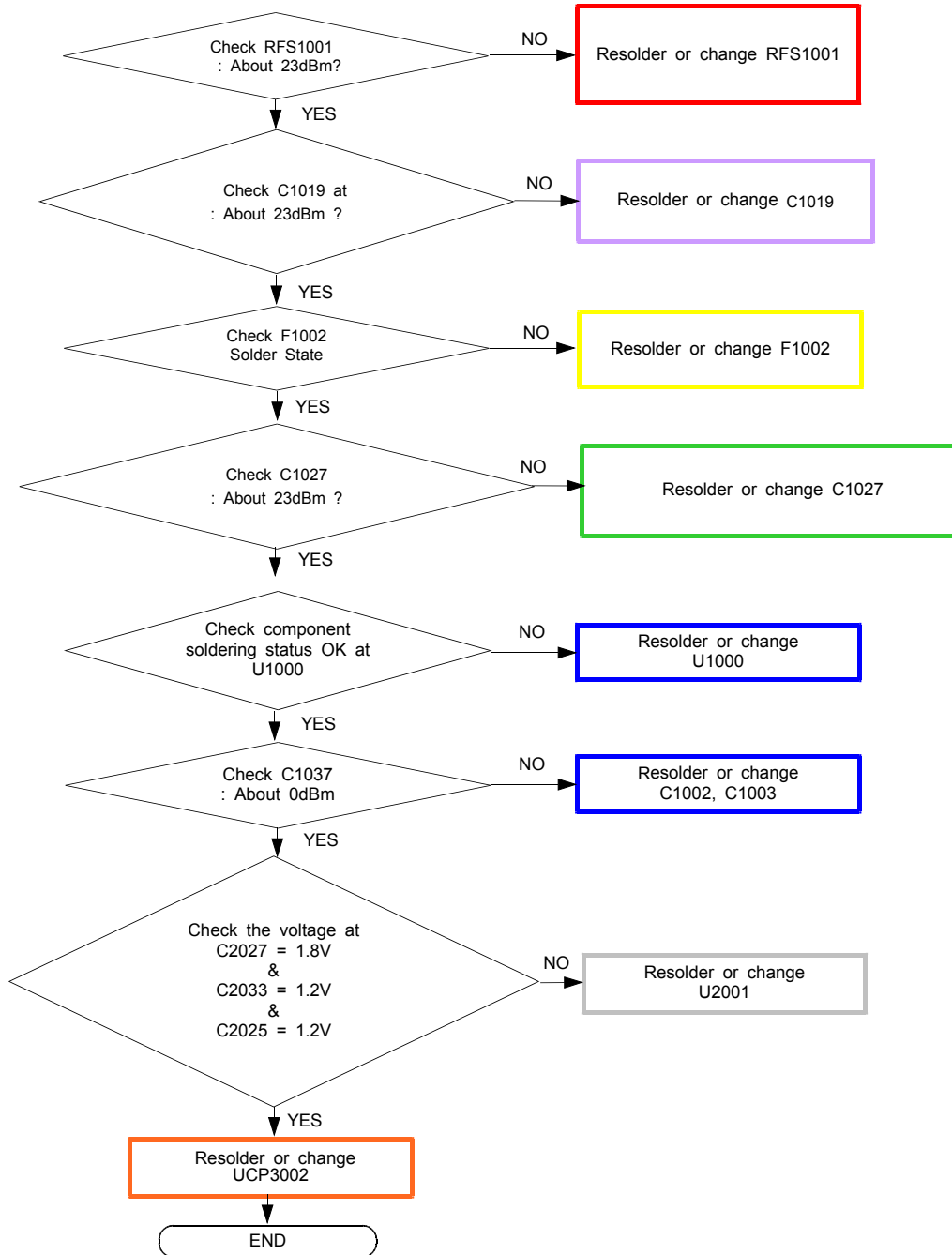
8-3-30. GSM1800, 1900 TX



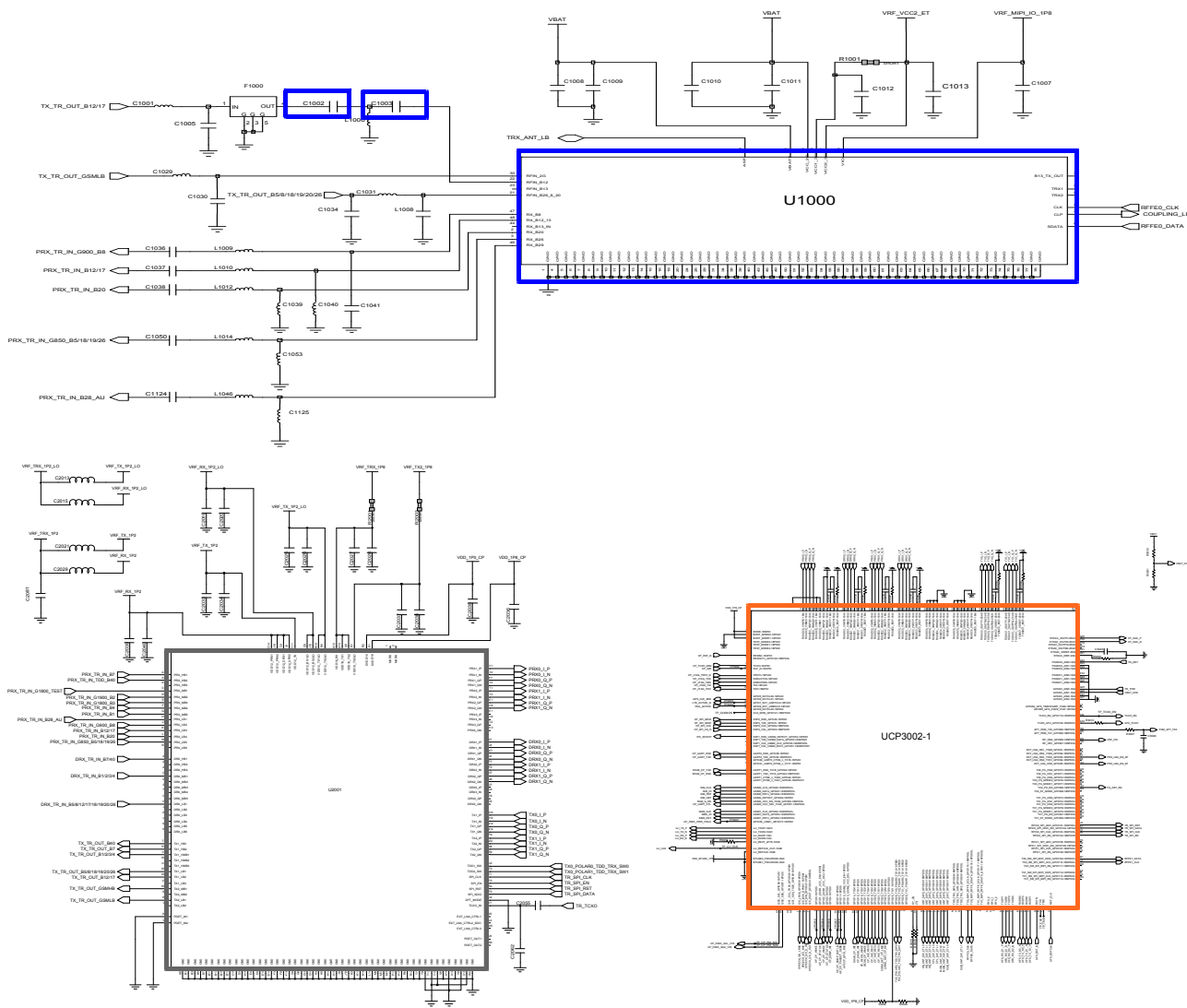
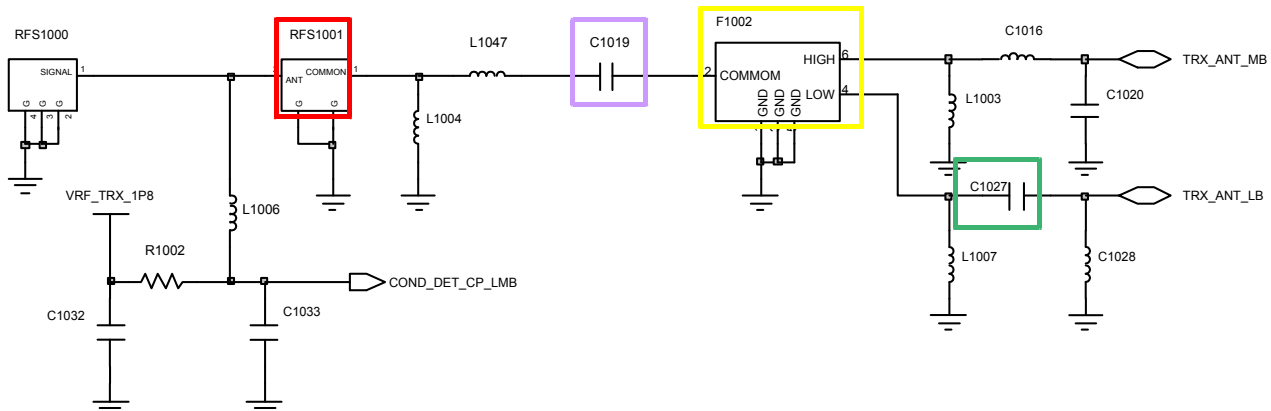


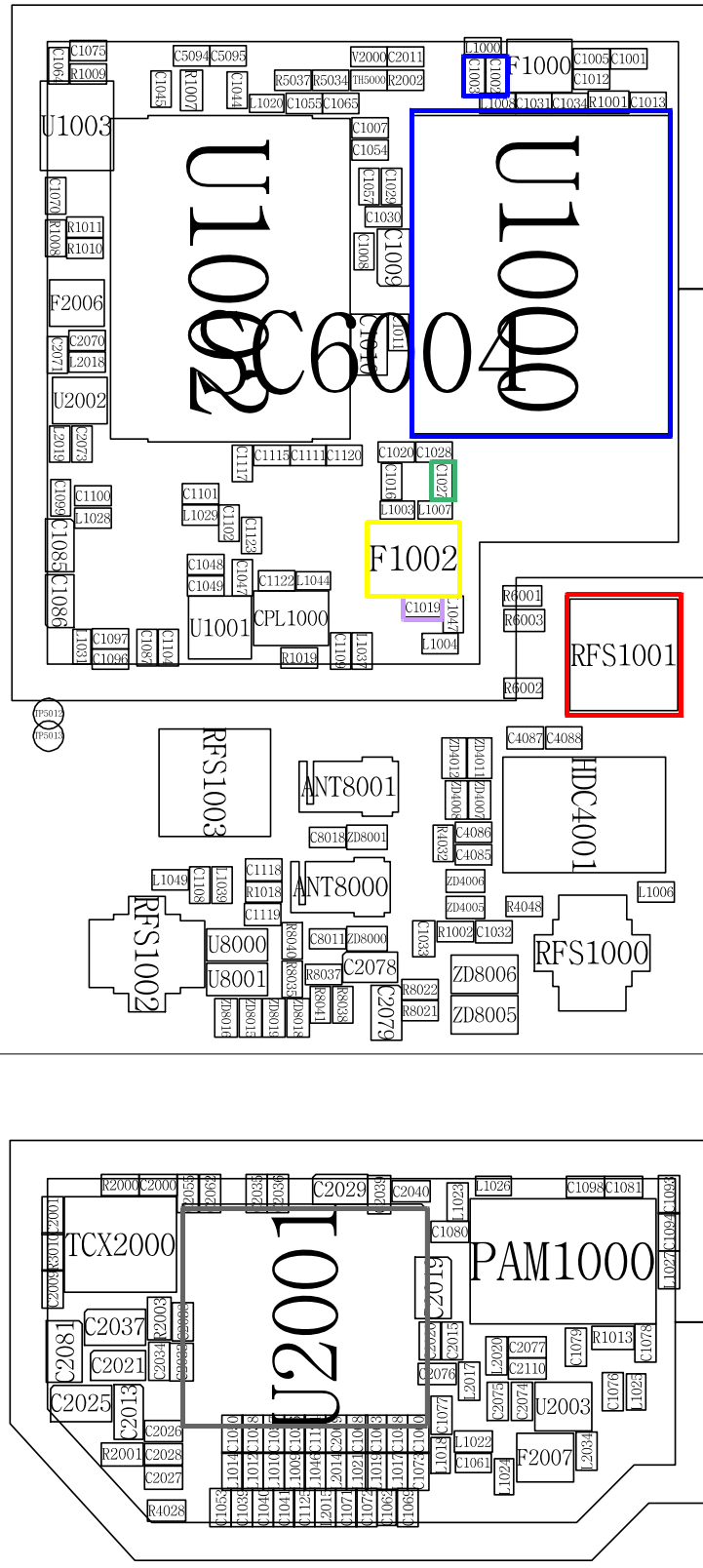


8-3-31. LTE 12, 17 TX

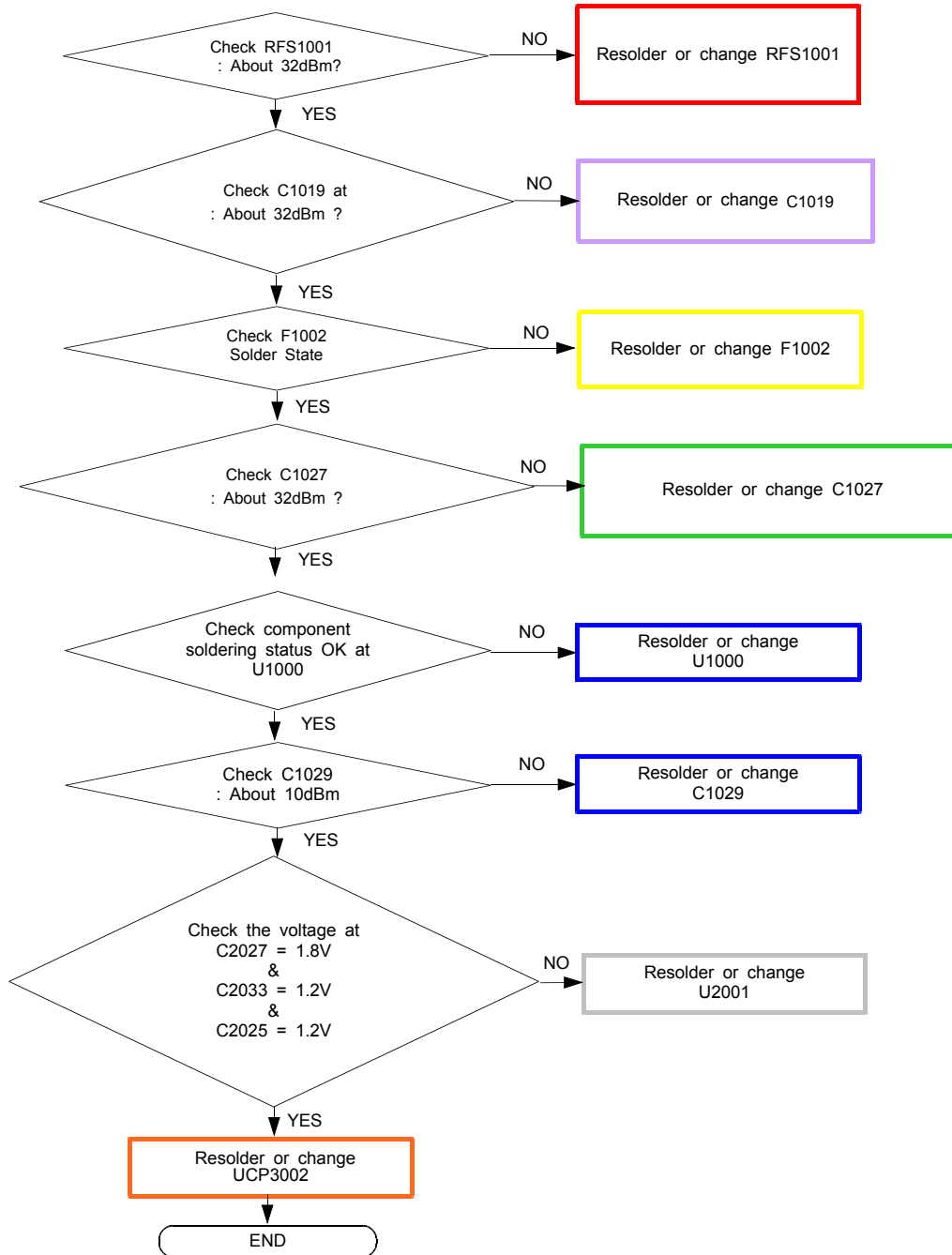


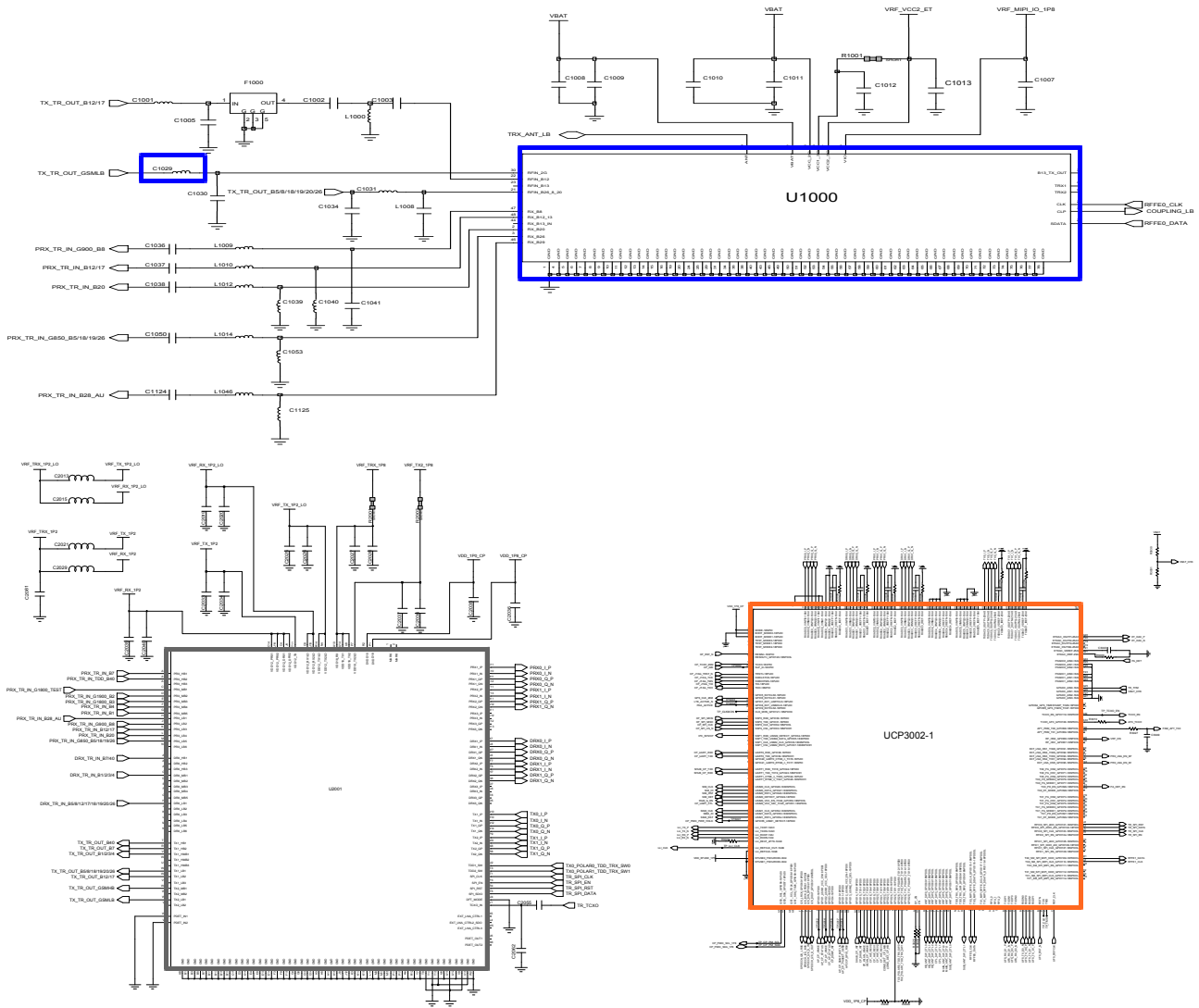
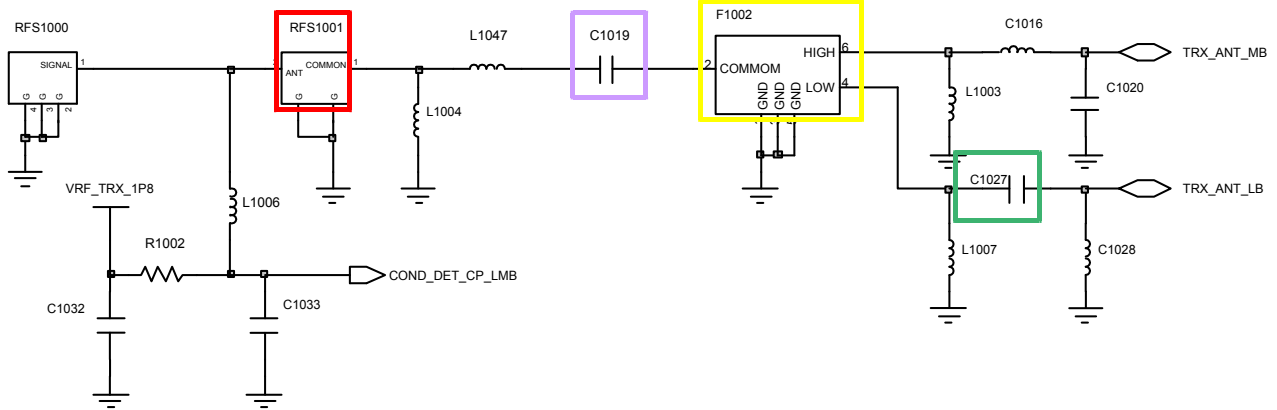
Level 3 Repair

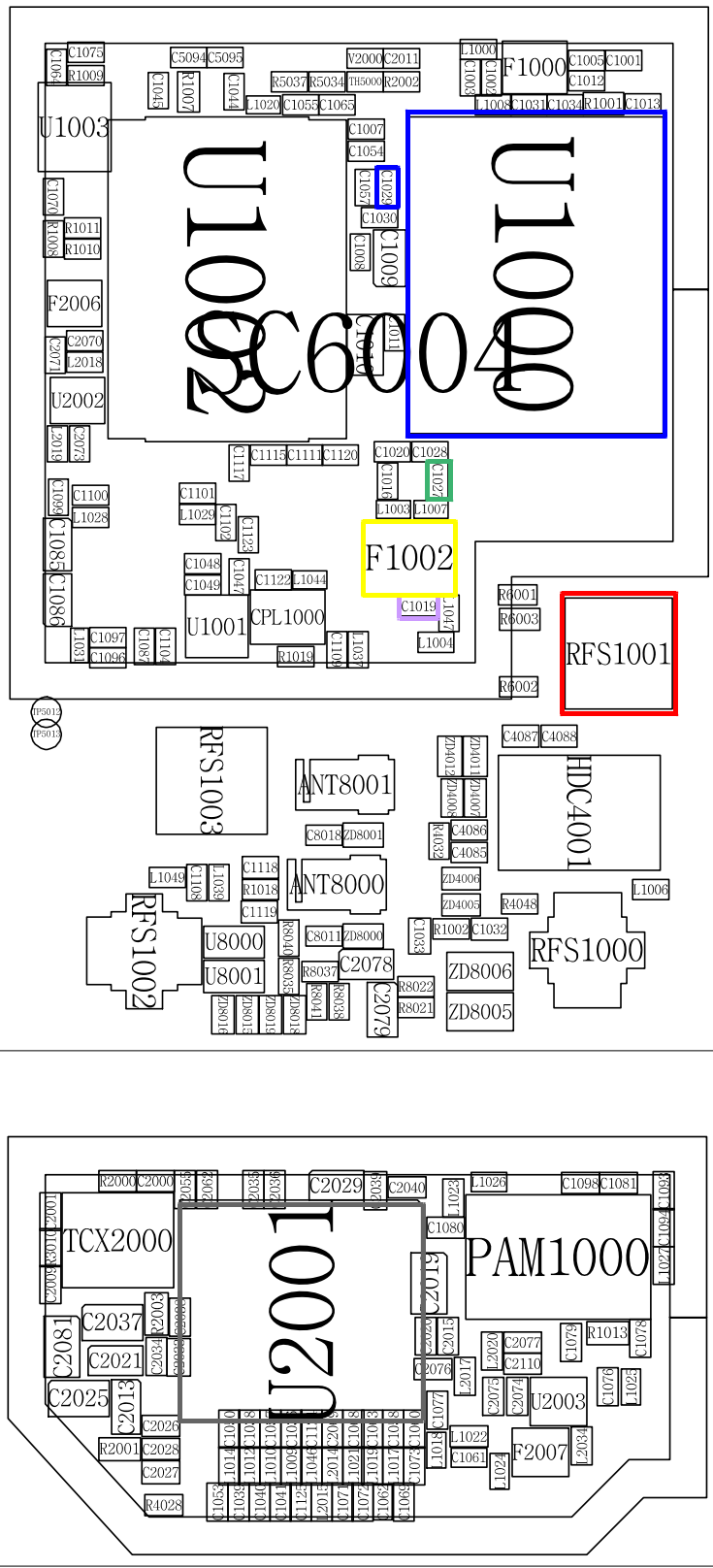




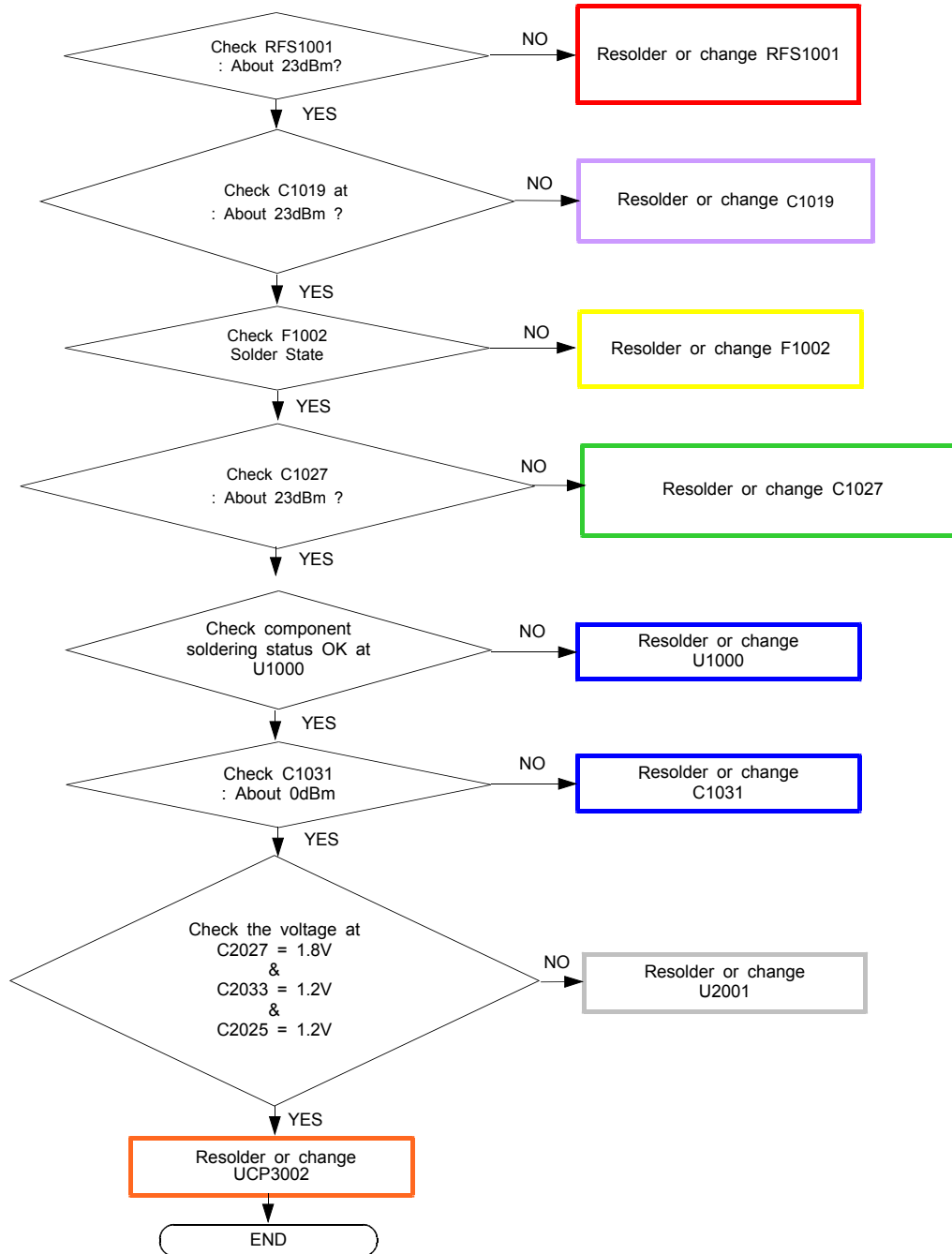
8-3-32. GSM850, 900 TX



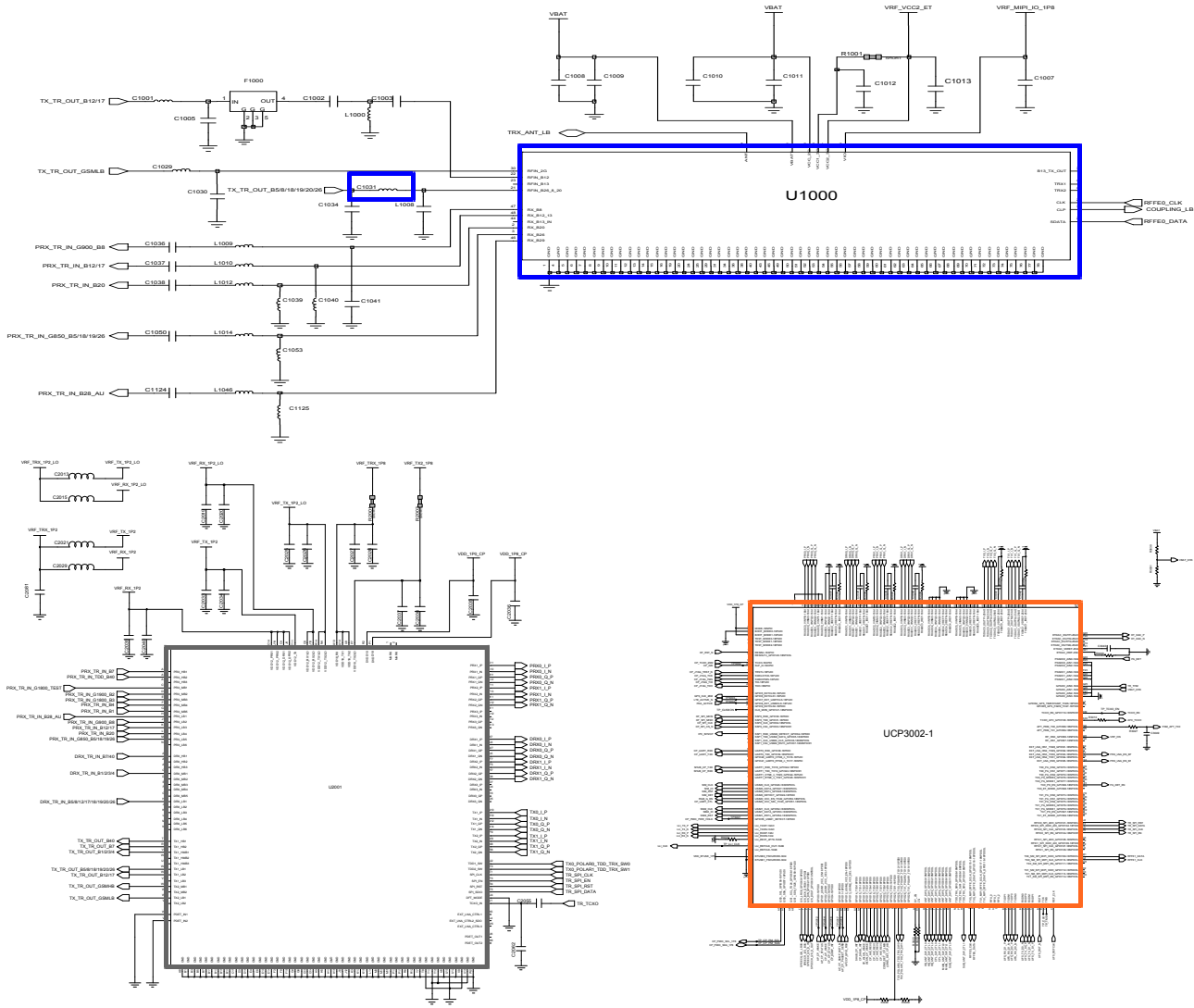
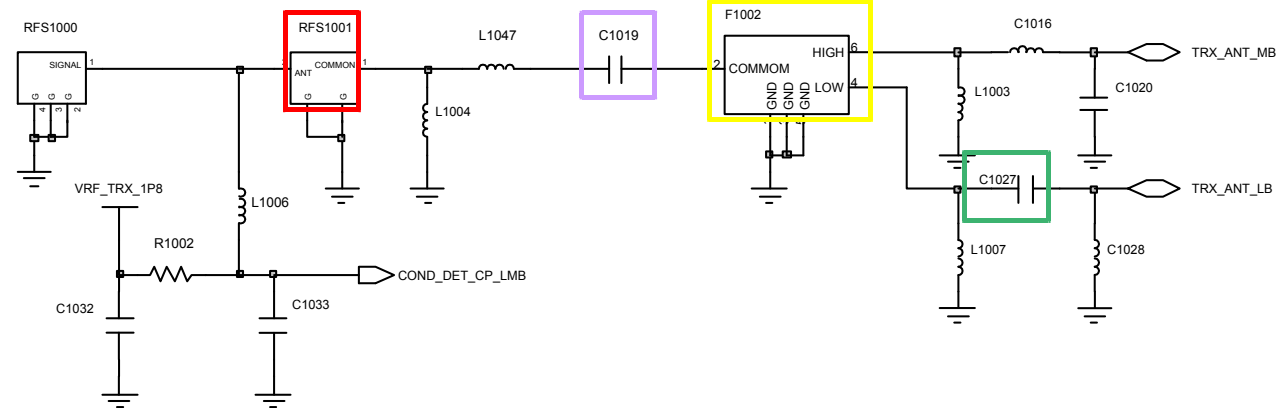


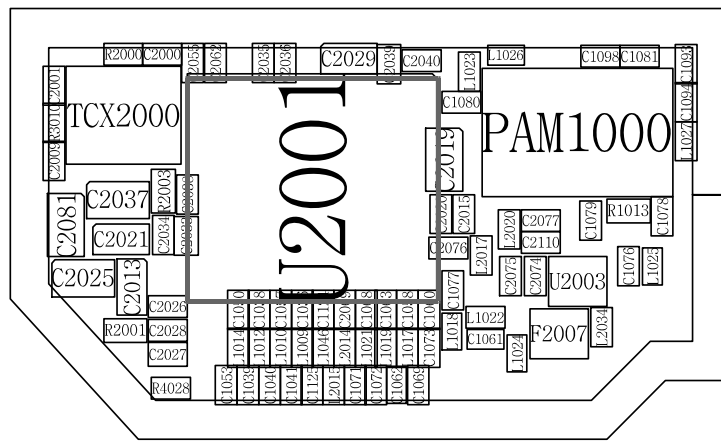
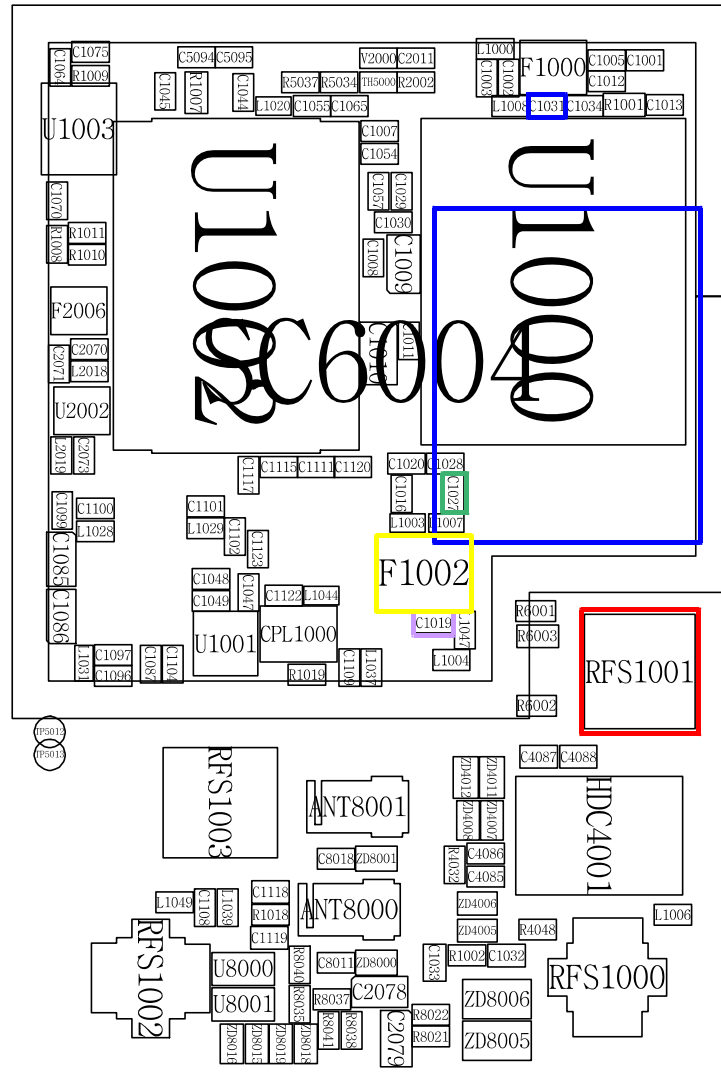


8-3-33. LTE 5, 8, 18, 19, 20, 26 TX

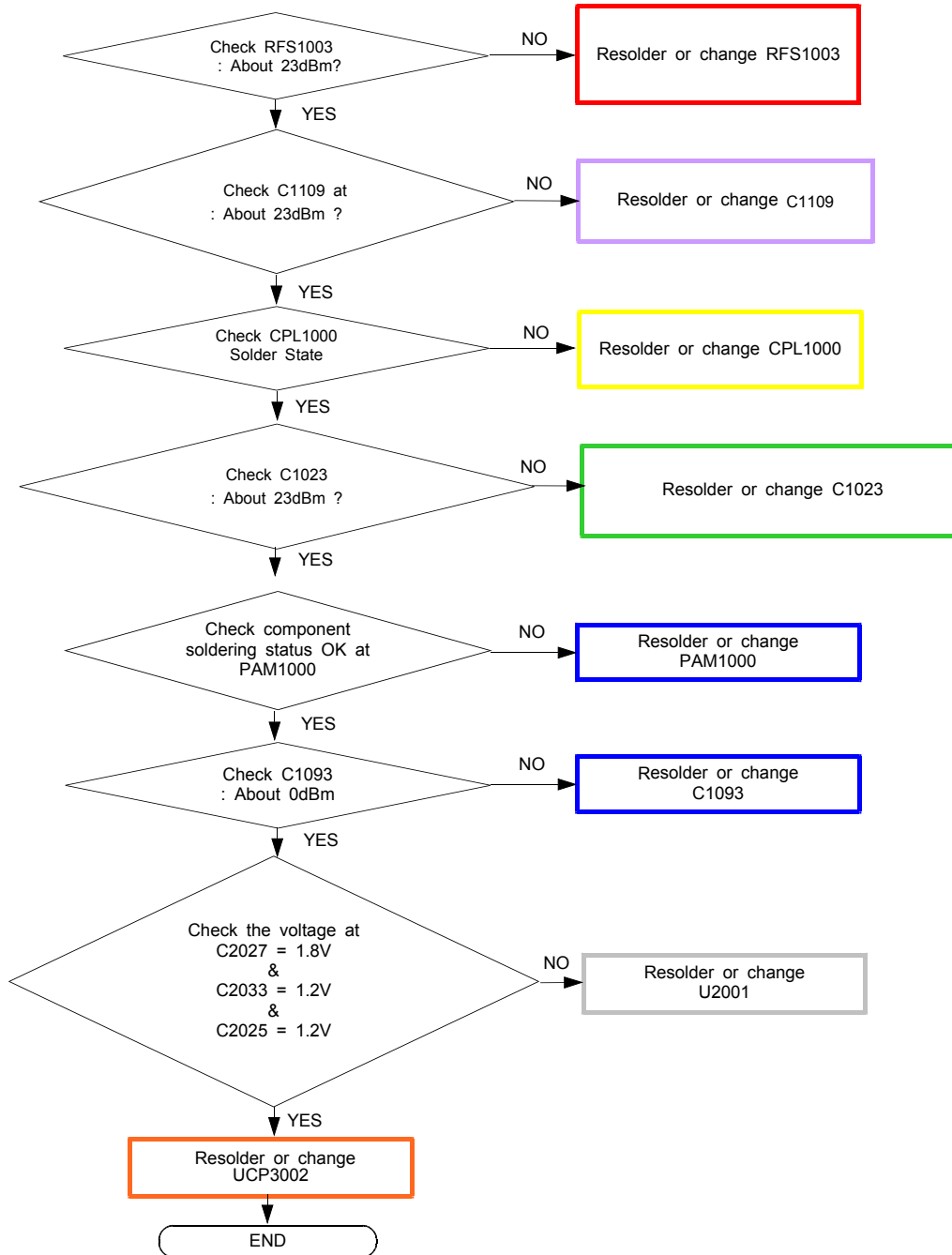


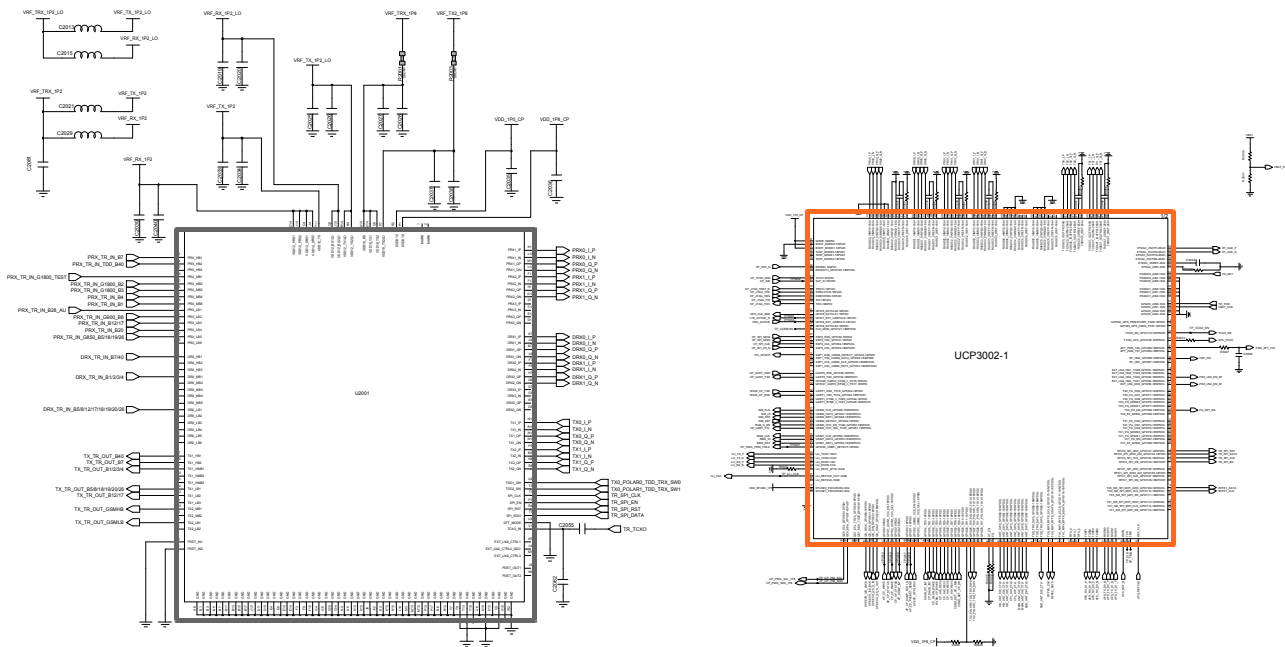
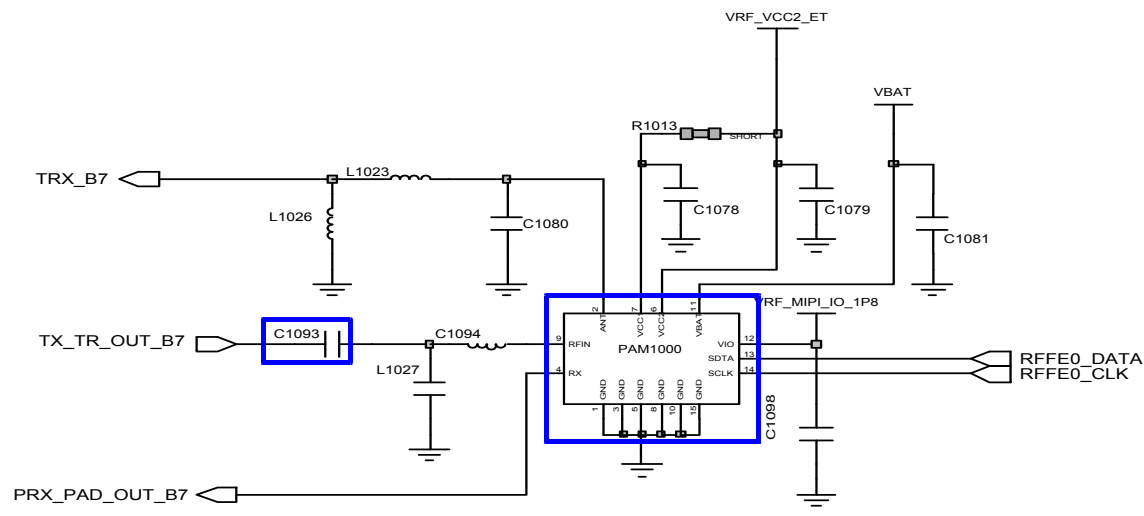
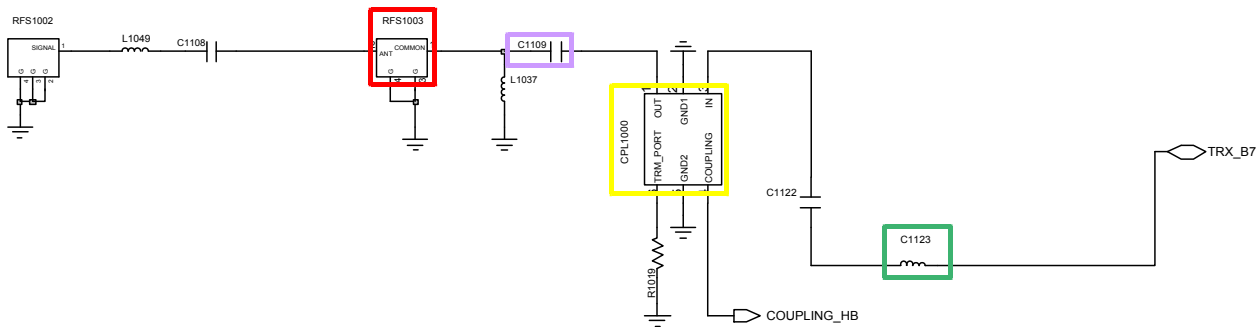
Level 3 Repair

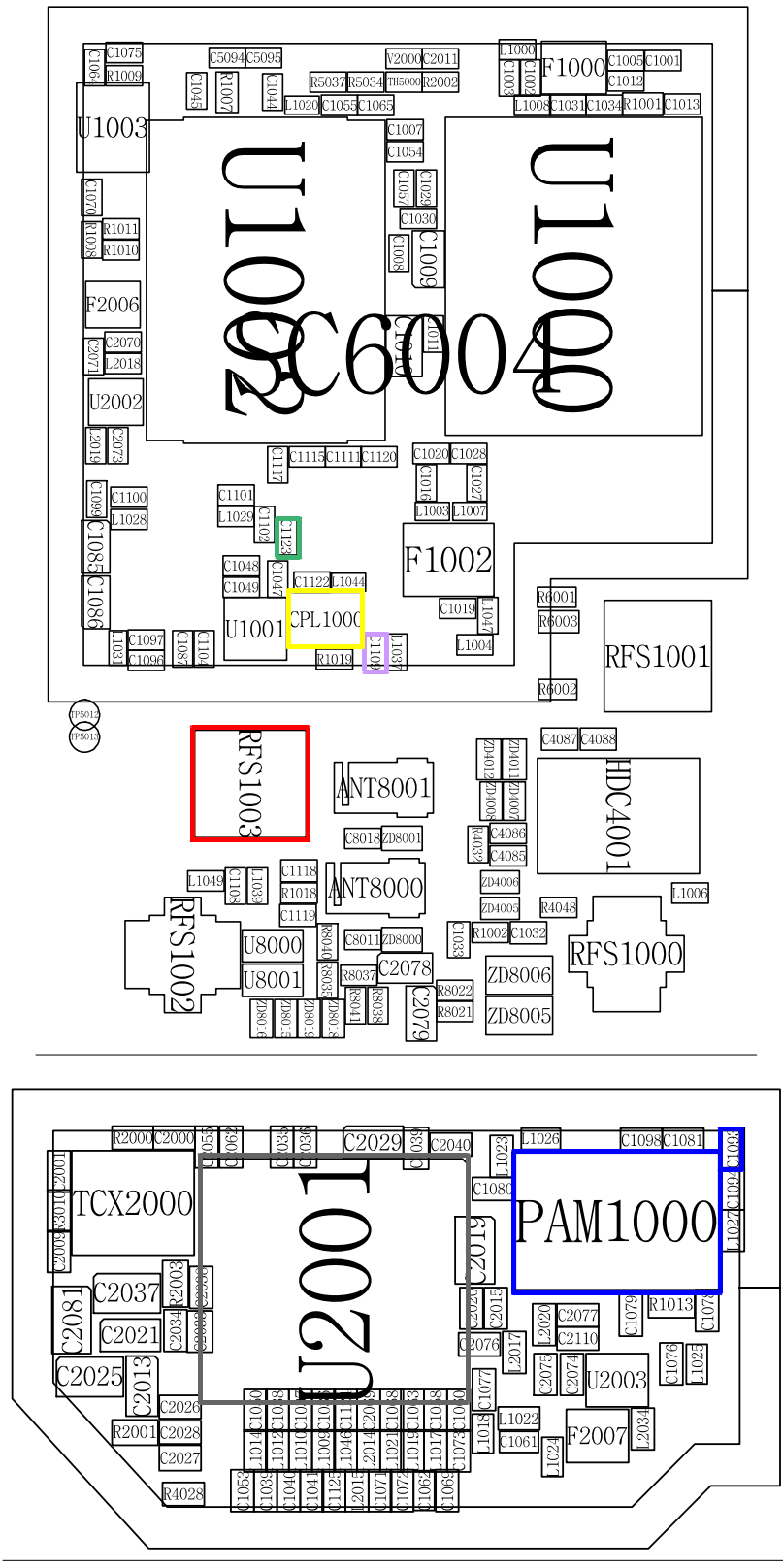




8-3-34. LTE 7 TX







8-4. Service Schematics

- NC Point(Top View)

UCP5000 (AP)

NC : AT12

A	VDD1	VDD2	VDD3	VDD4	VDD5	VDD6	VDD7	VDD8	VDD9	VDD10	VDD11	VDD12	VDD13	VDD14	VDD15	VDD16	VDD17	VDD18	VDD19	VDD20	VDD21	VDD22	VDD23	VDD24	VDD25	VDD26	VDD27	VDD28	VDD29	VDD30	VDD31	VDD32	VDD33	VDD34
---	------	------	------	------	------	------	------	------	------	-------	-------	-------	-------	-------	-------	-------	-------	-------	-------	-------	-------	-------	-------	-------	-------	-------	-------	-------	-------	-------	-------	-------	-------	-------

Confidential and proprietary-the contents in this service guide subject to change without prior notice.

Distribution, transmission, or infringement of any content or data from this document without Samsung's written authorization is strictly prohibited.