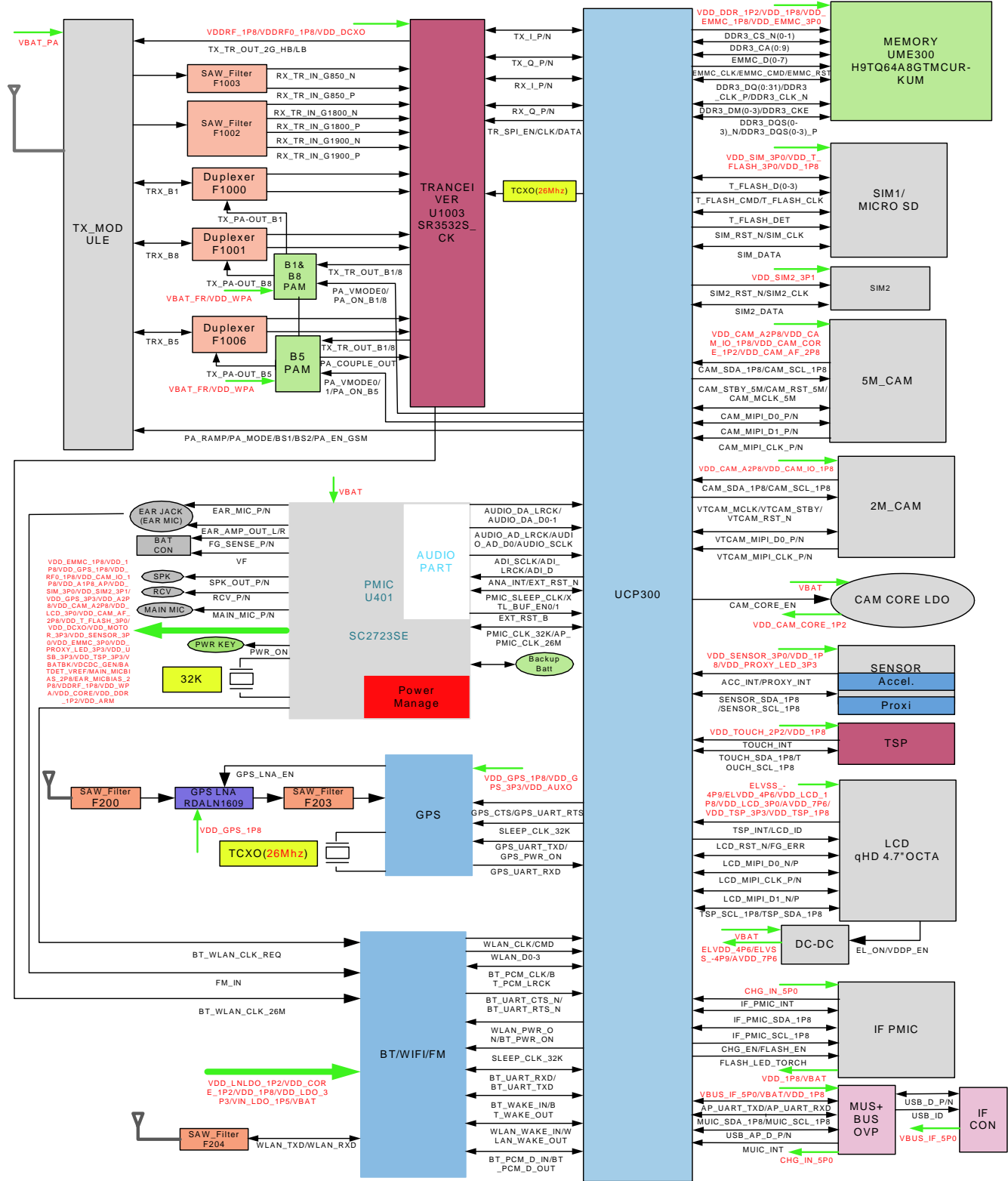


# 8. Level 3 Repair (VIETMOBILE.VN)

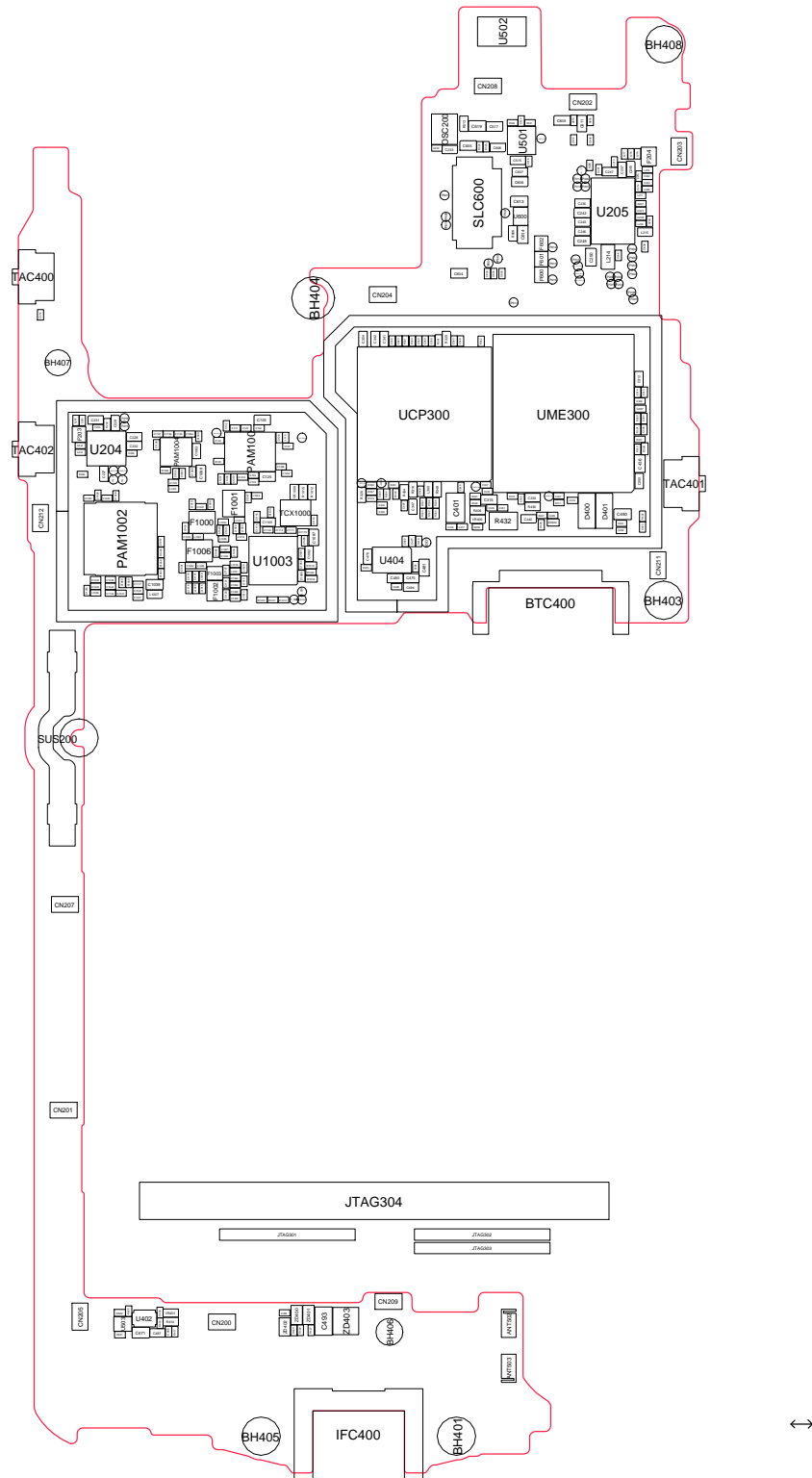
## 8-1. Block Diagram

### SM-J200H Block Diagram

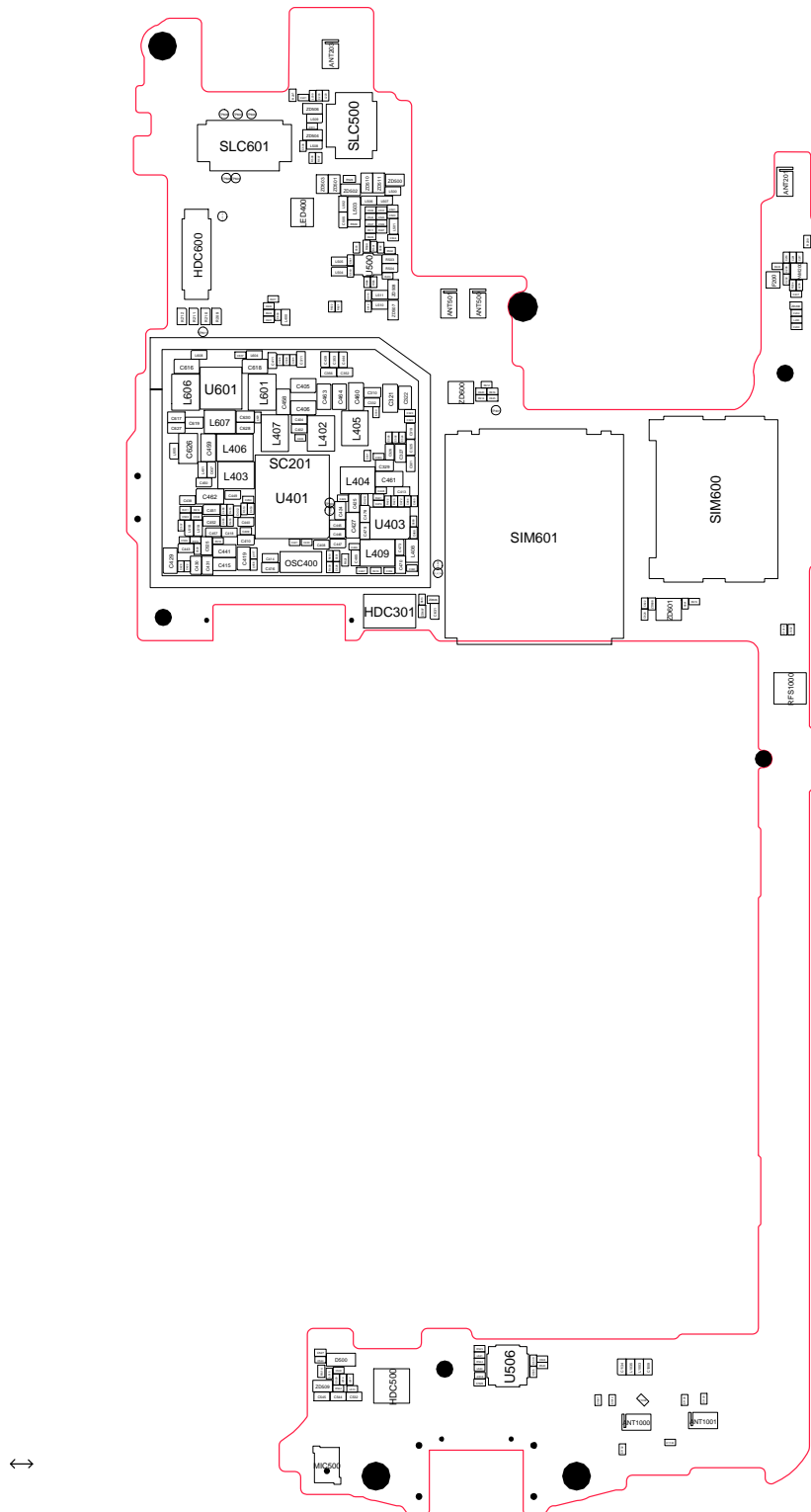


## 8-2. PCB Diagrams

### 8-2-1. Top

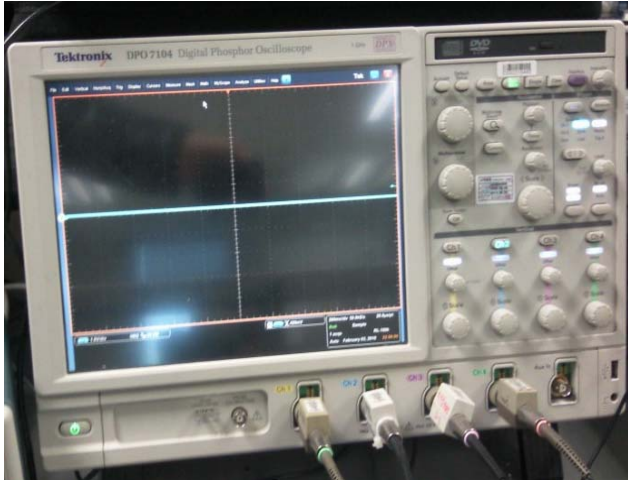


8-2-2. Bottom



### 8-3. Flow Chart of Troubleshooting

#### Equipments



↑ Oscilloscope



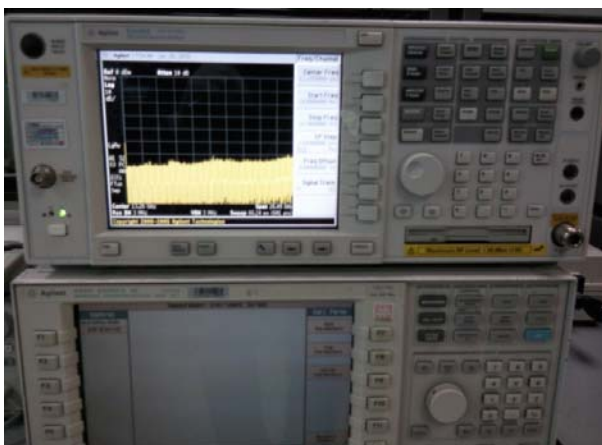
a Digital Multi-meter



á Power Supply



á + driver,ESD Safe Tweezer

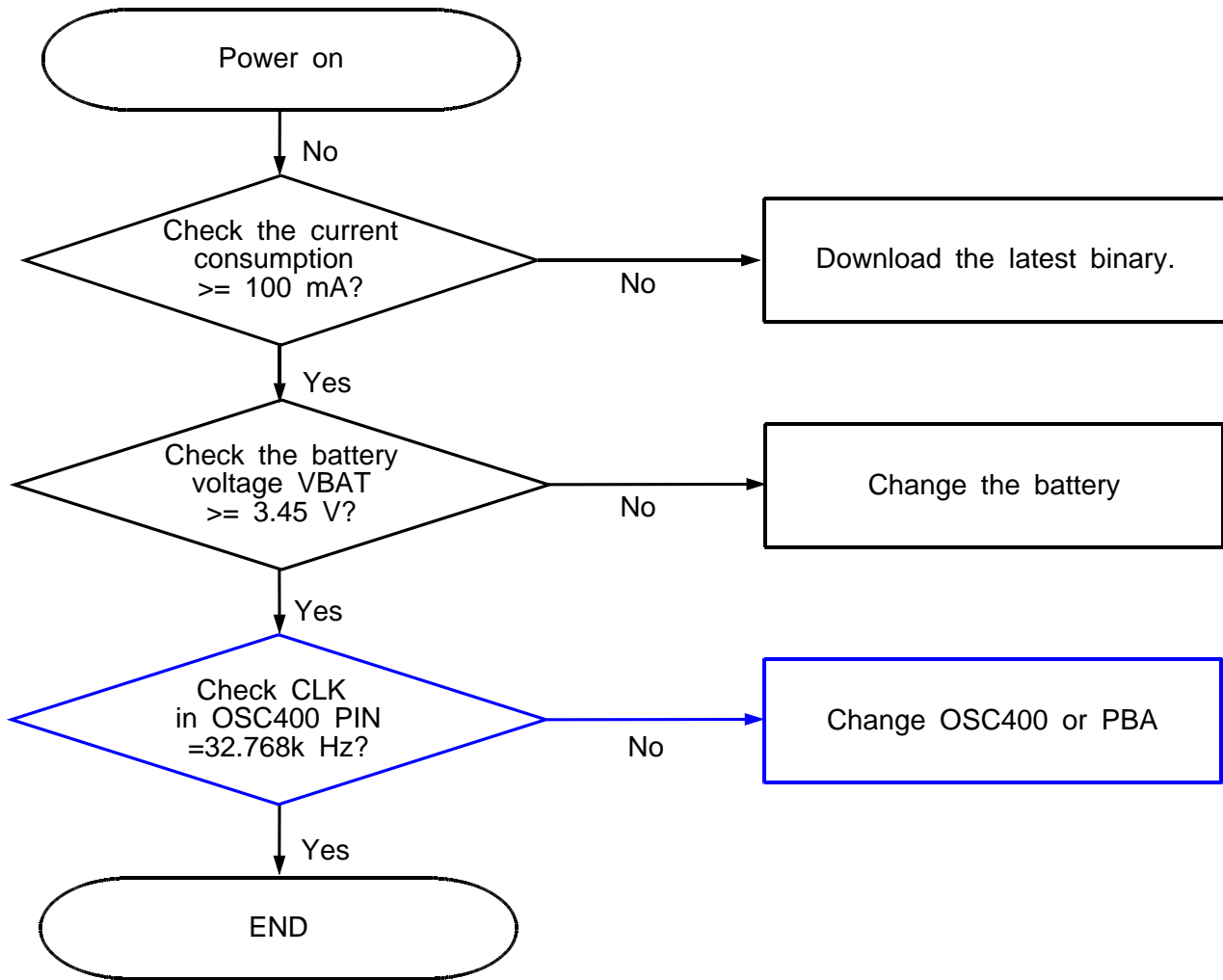


á 8960 & Spectrum Analyzer

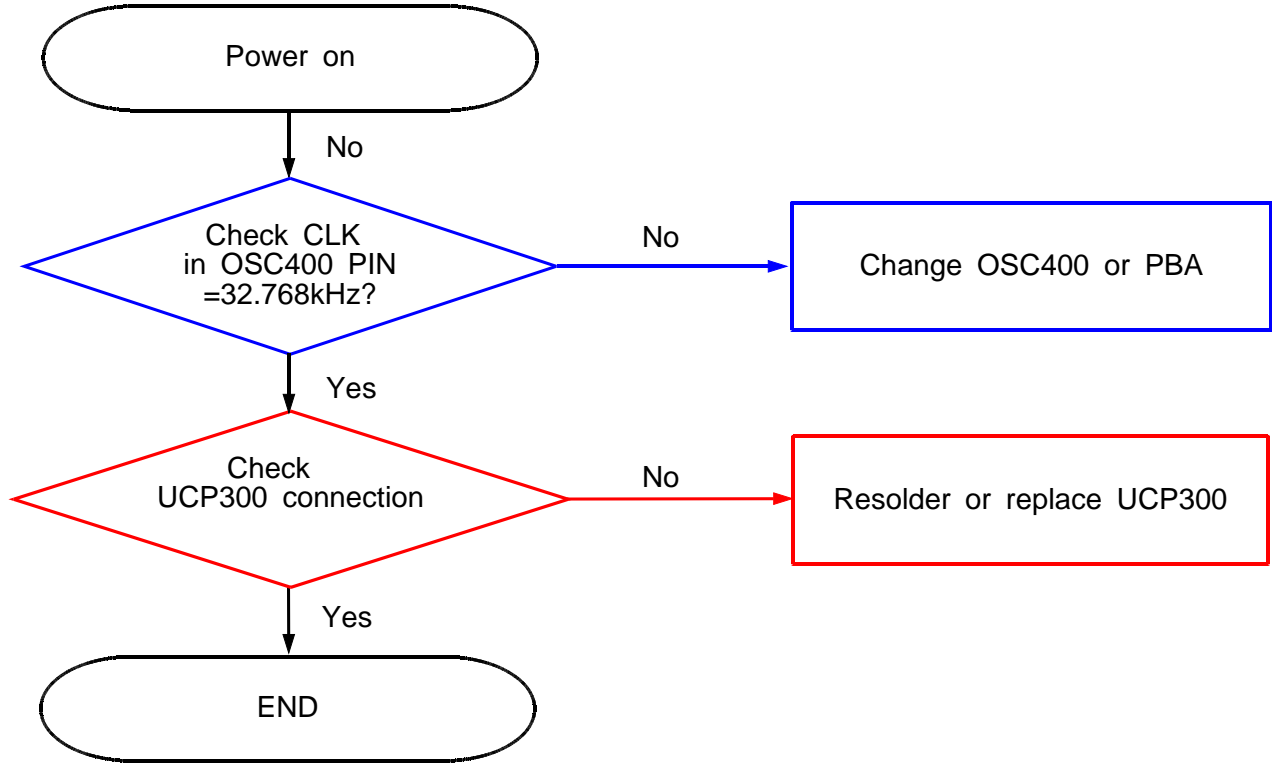


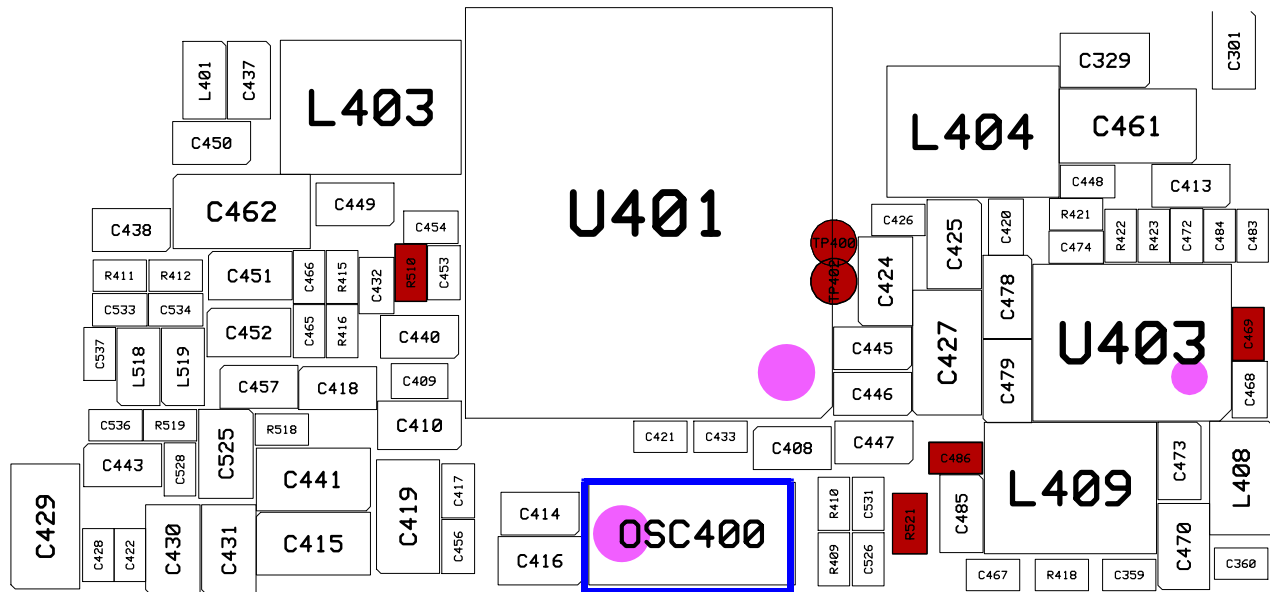
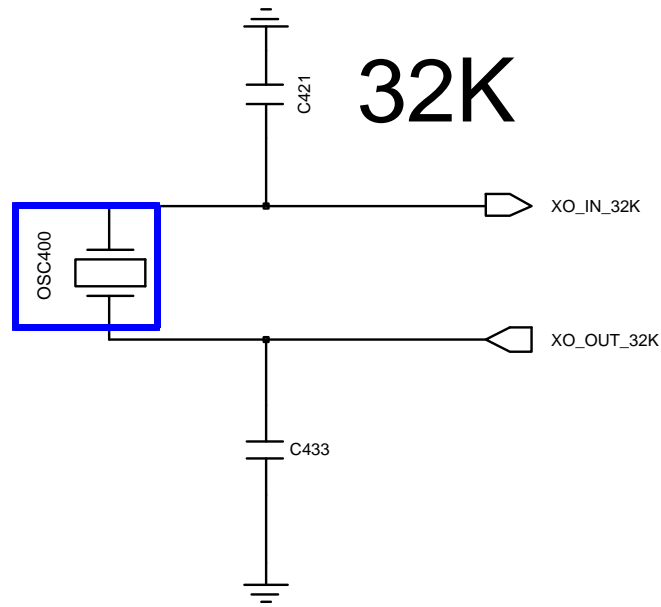
á Soldering iron

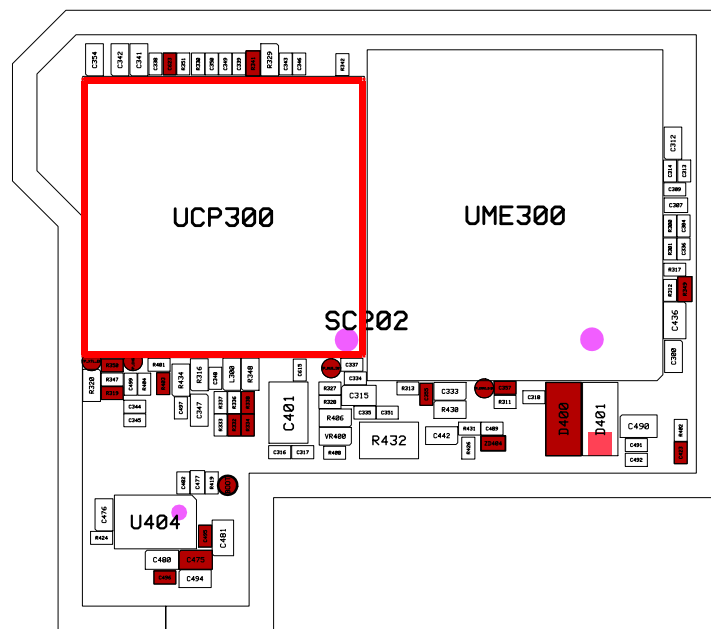
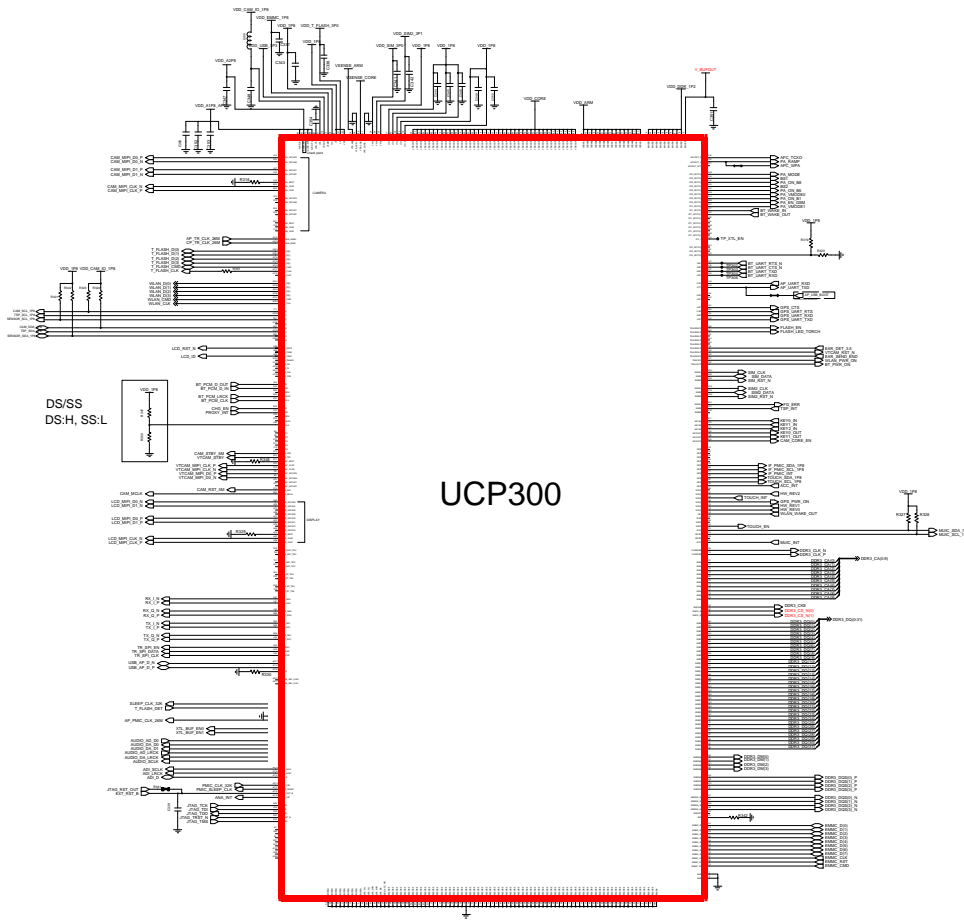
## 8-3-1. Power On



8-3-2. Initial

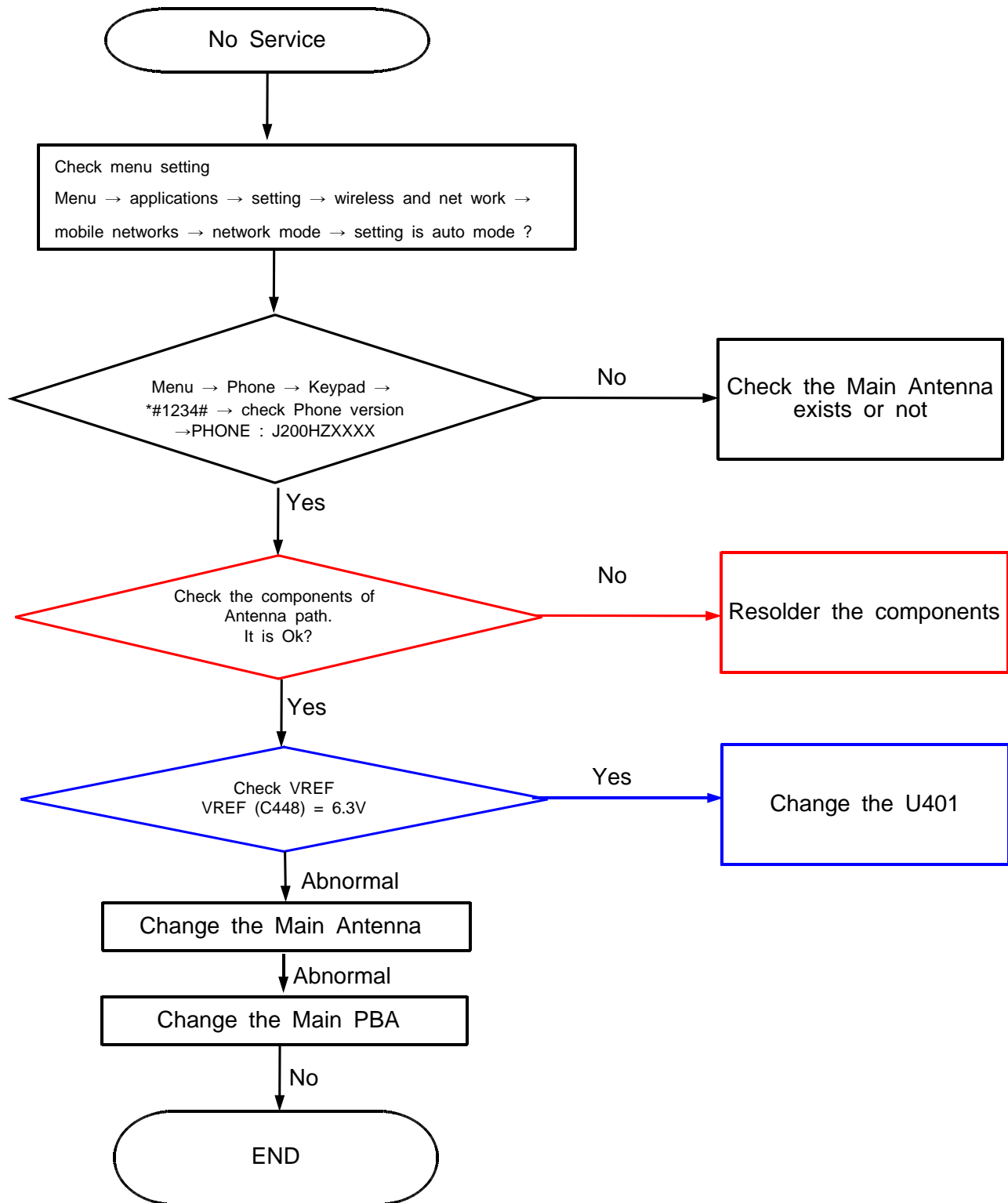






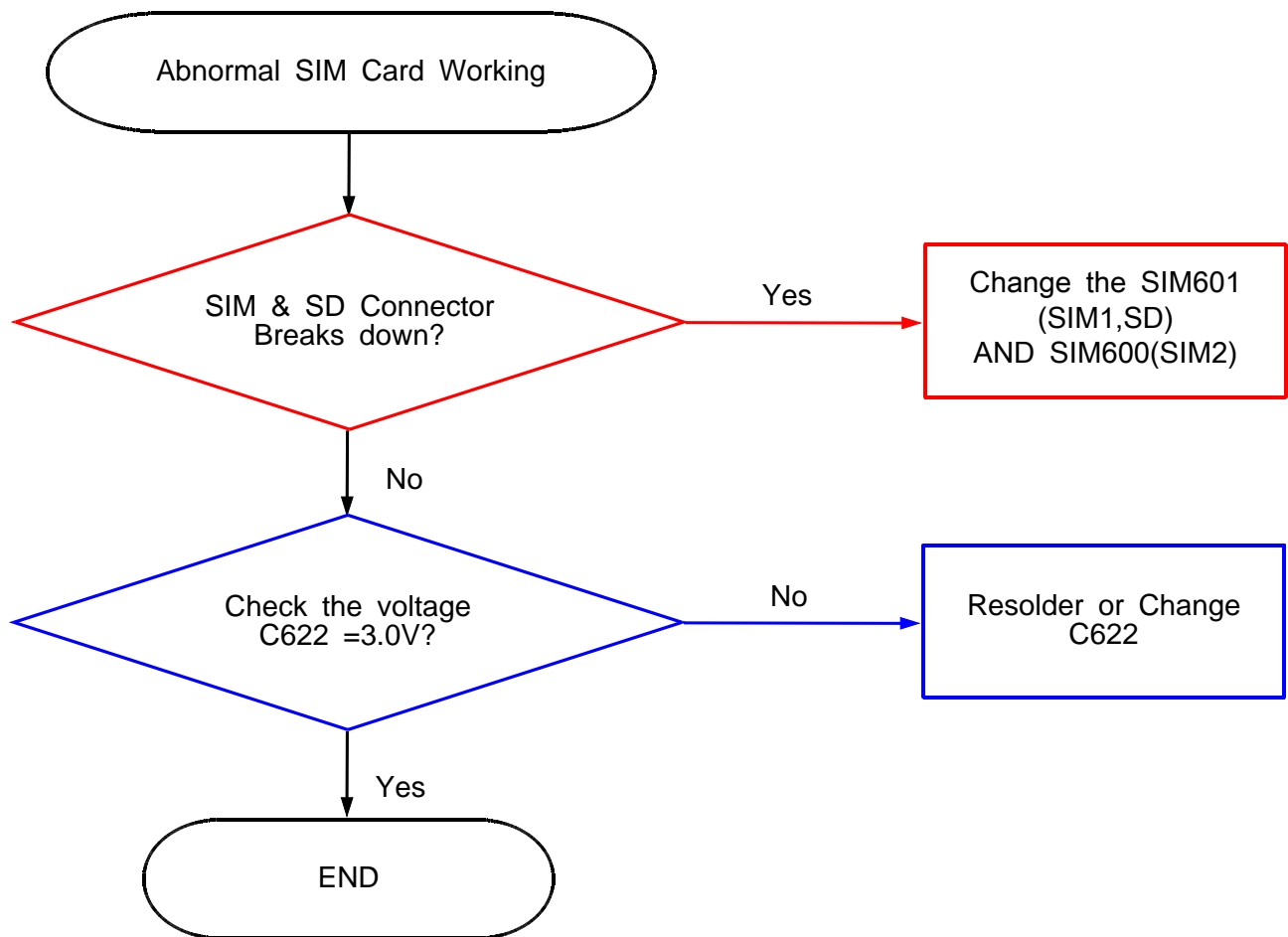


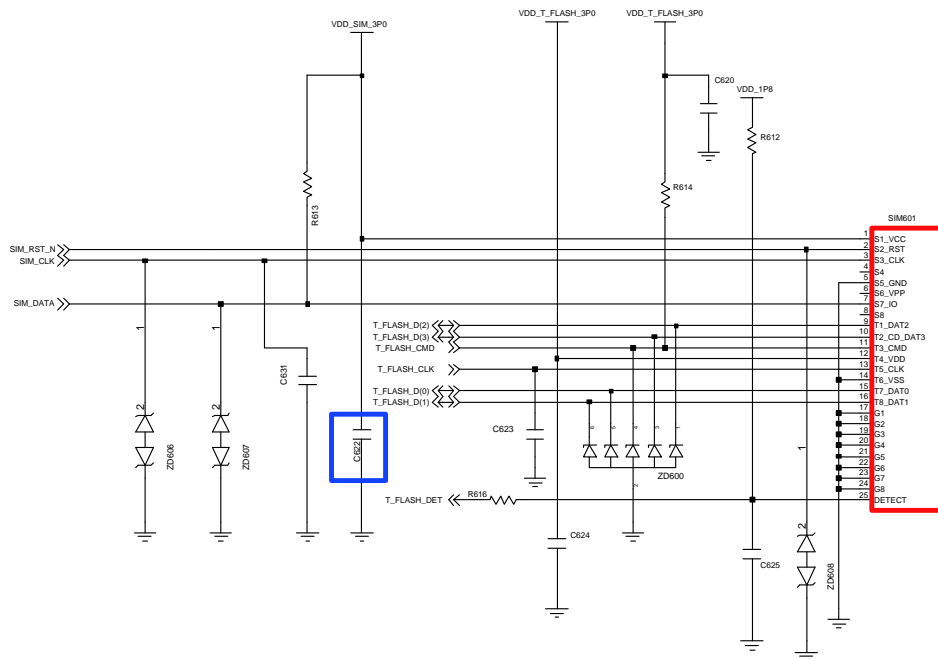
8-3-3. No Service.



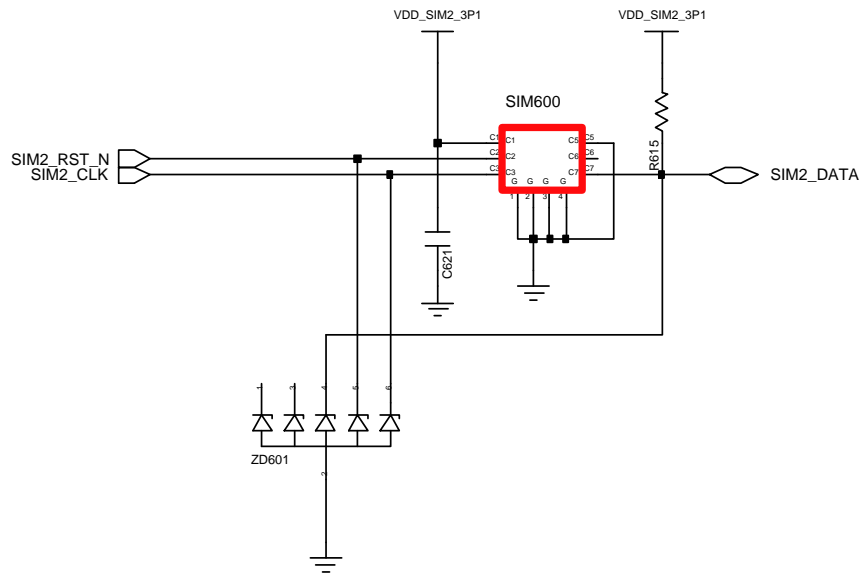


## 8-3-4. SIM &amp; SD Card Working

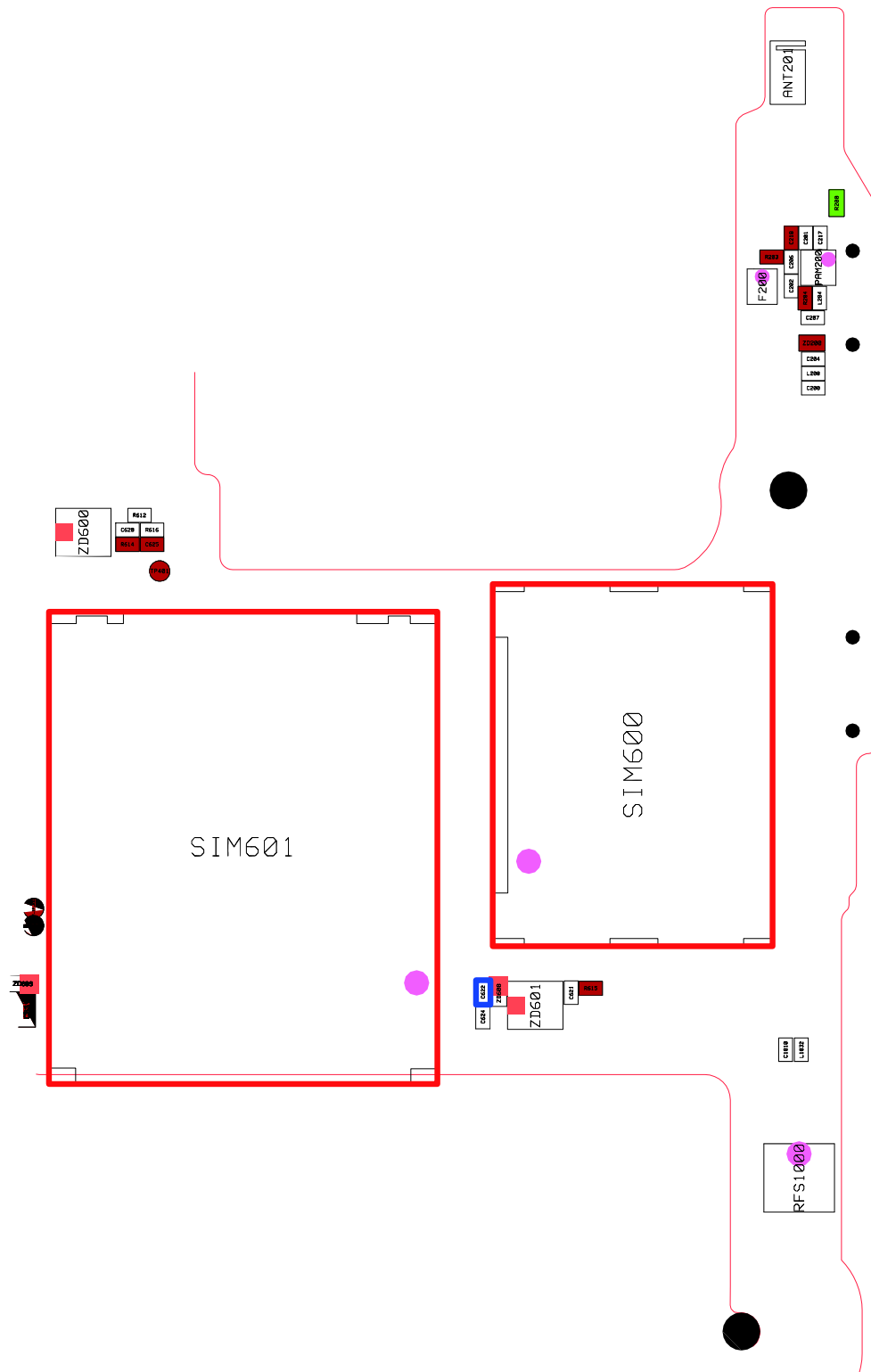




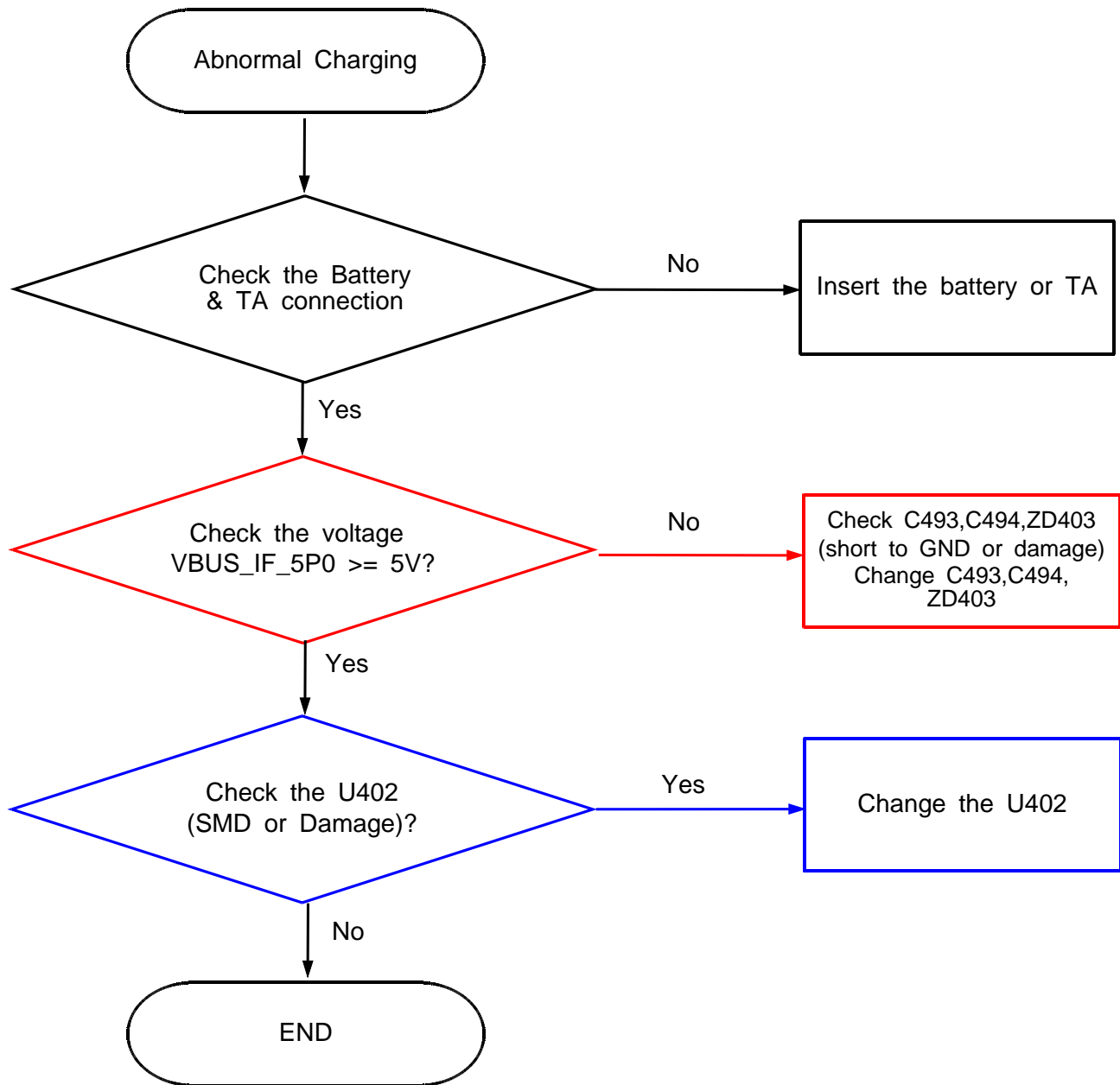
SIM1 / SD Card Connector

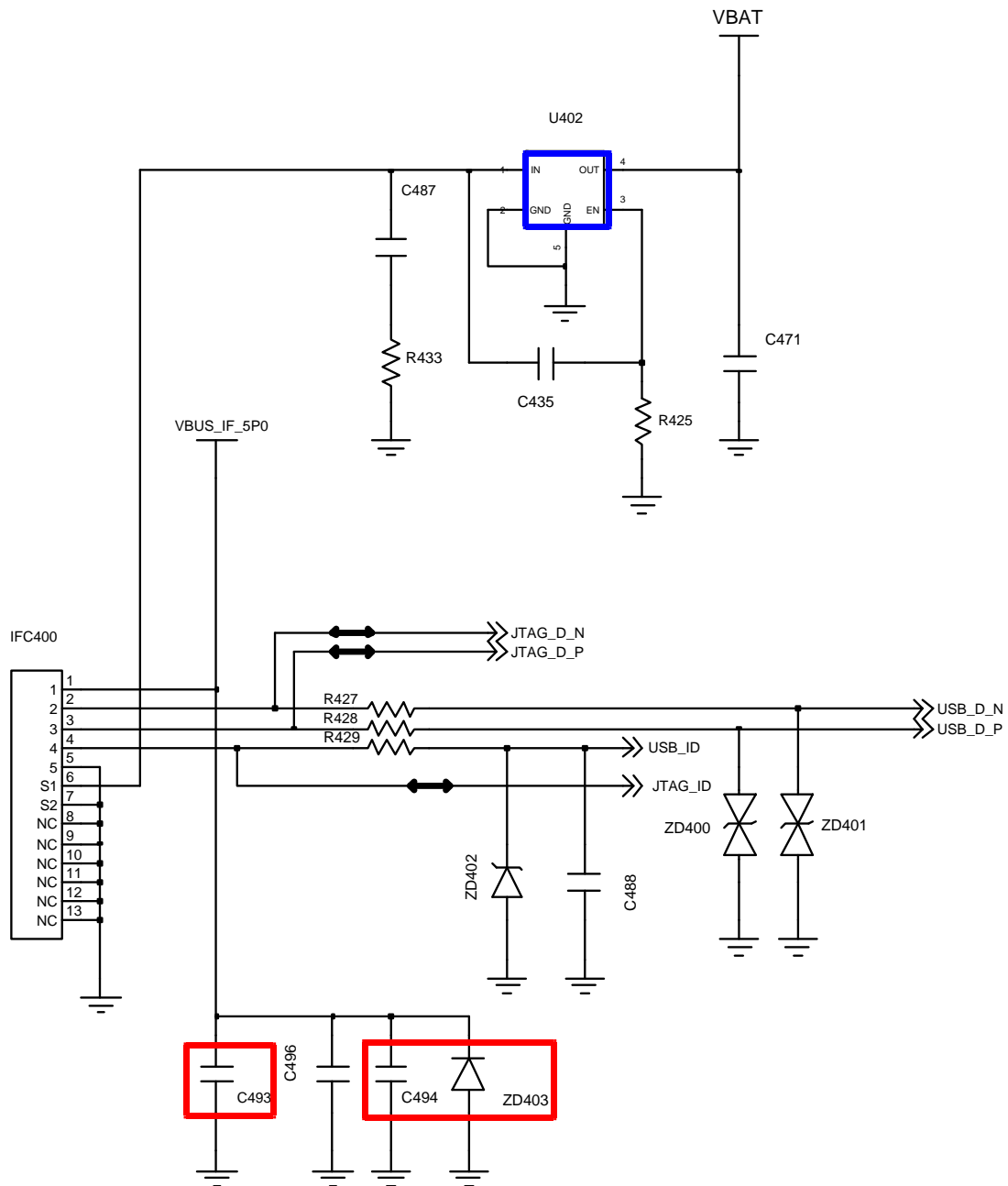


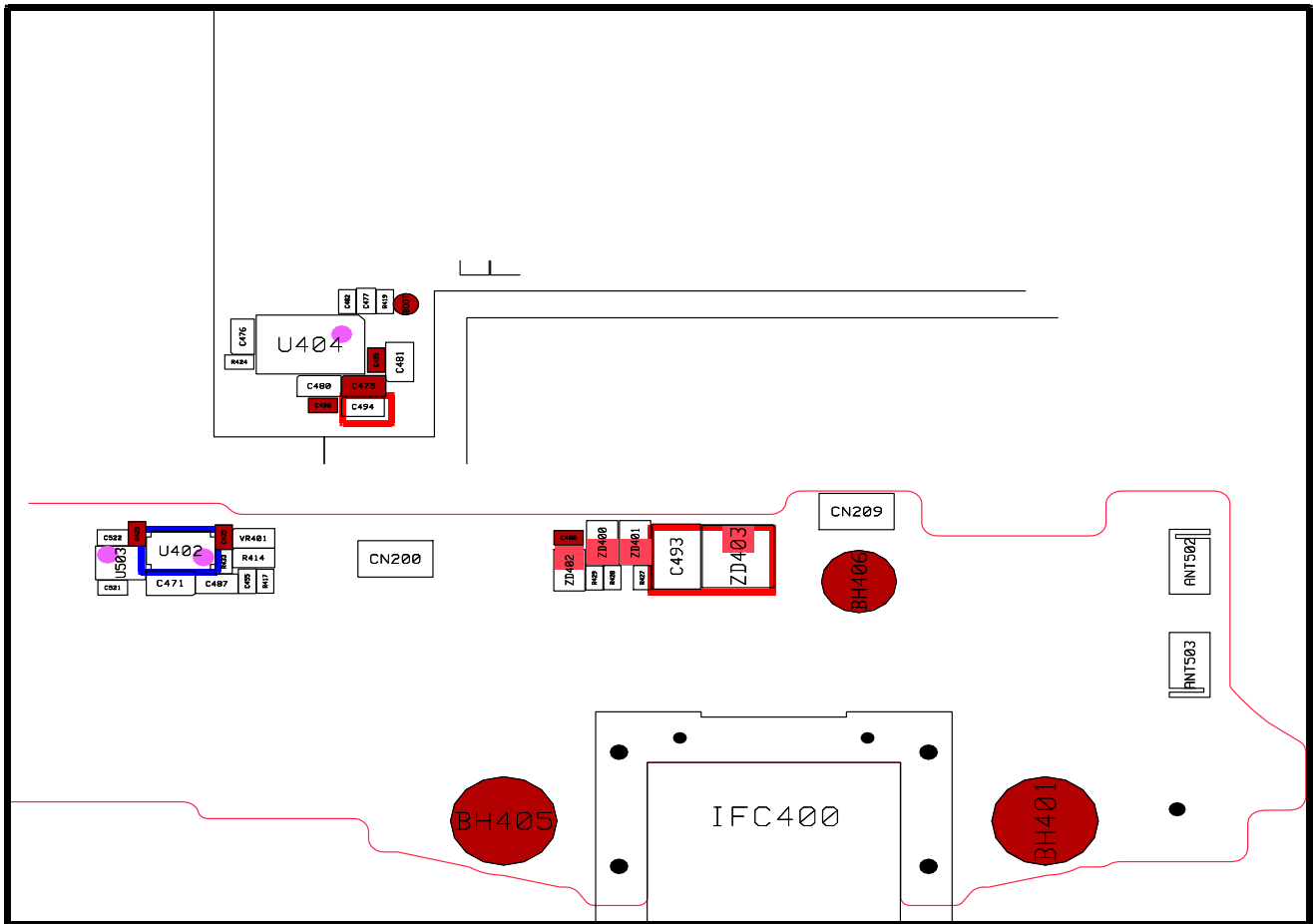
SIM2 Connector



8-3-5. Charging part

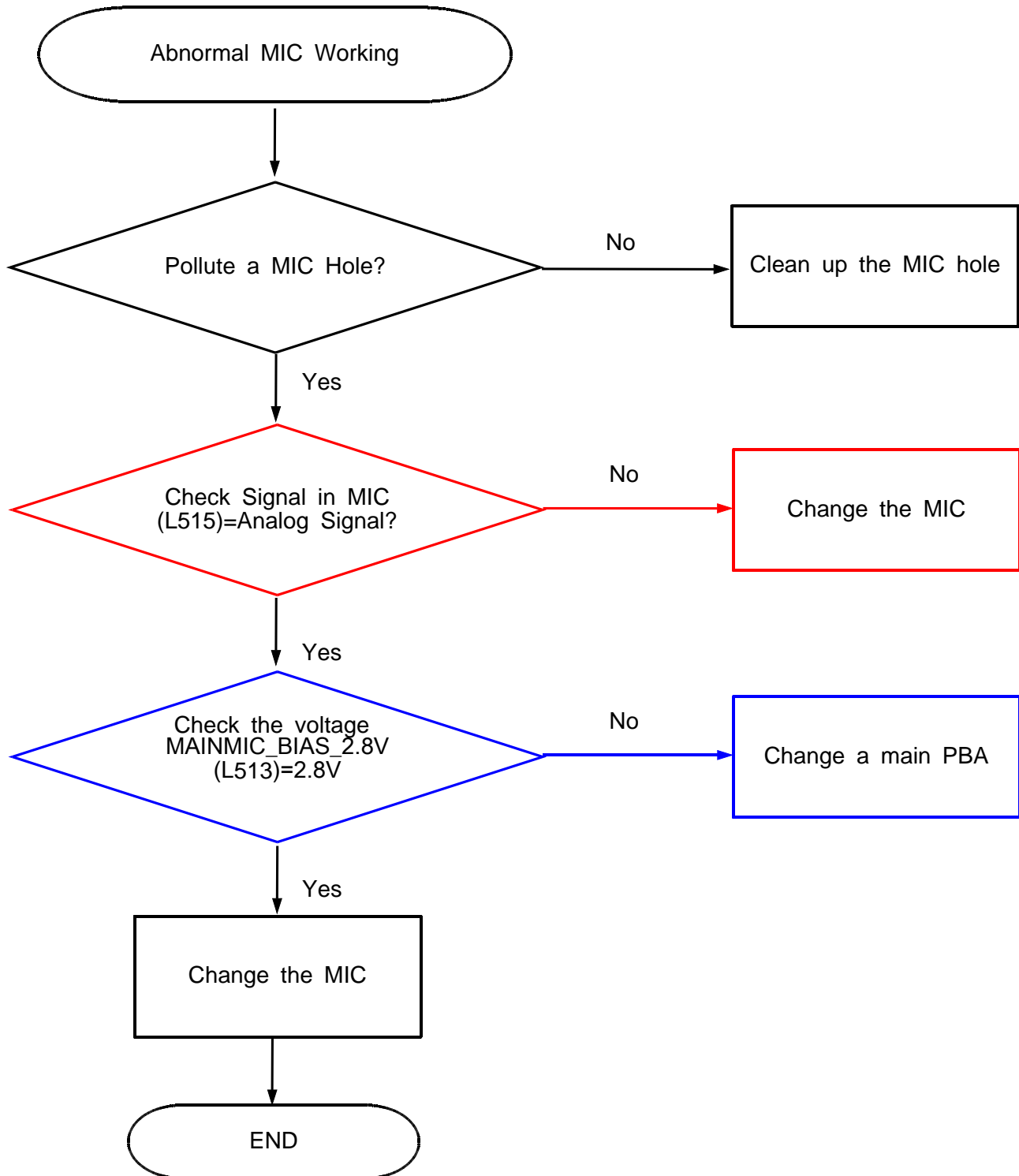


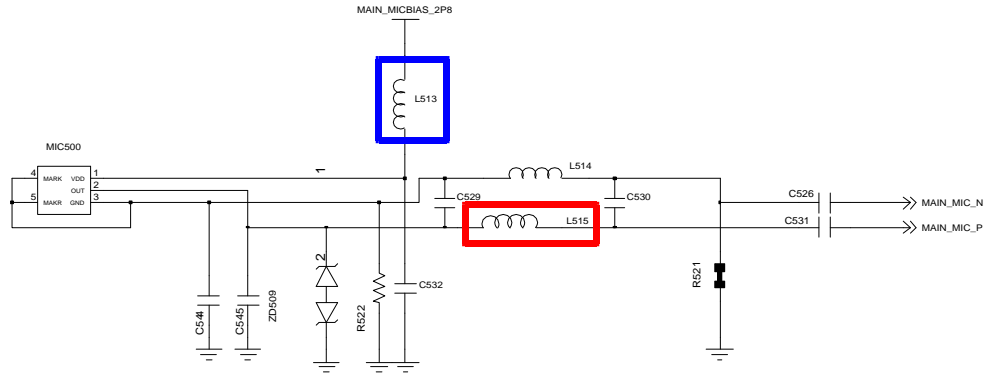




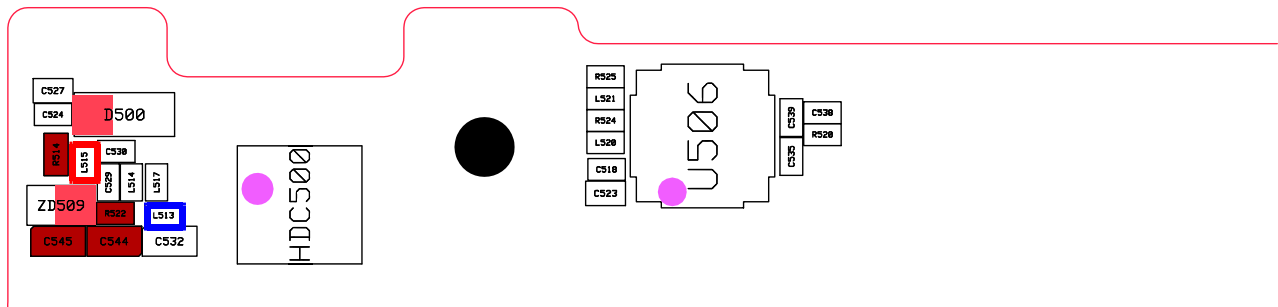


## 8-3-6. Microphone Part

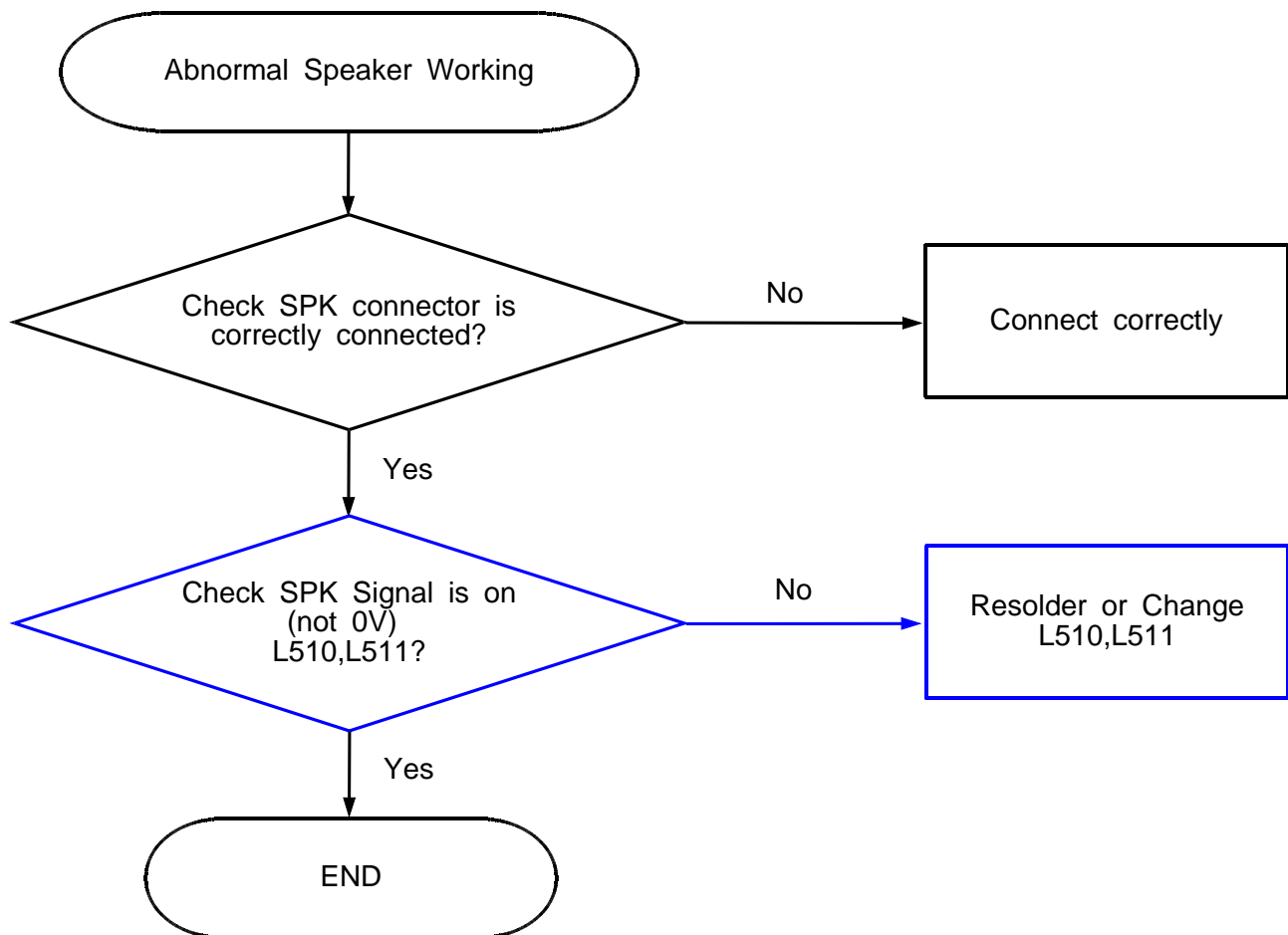


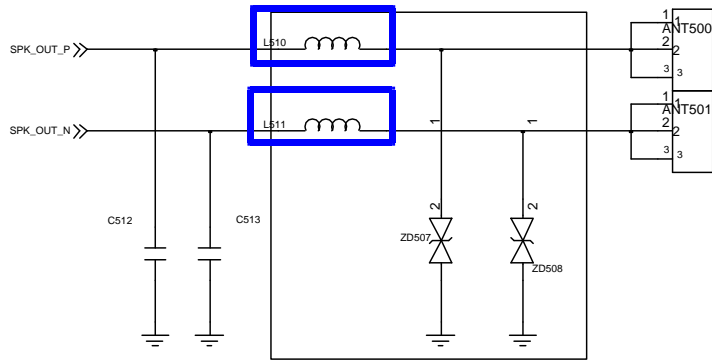


## MAIN MIC

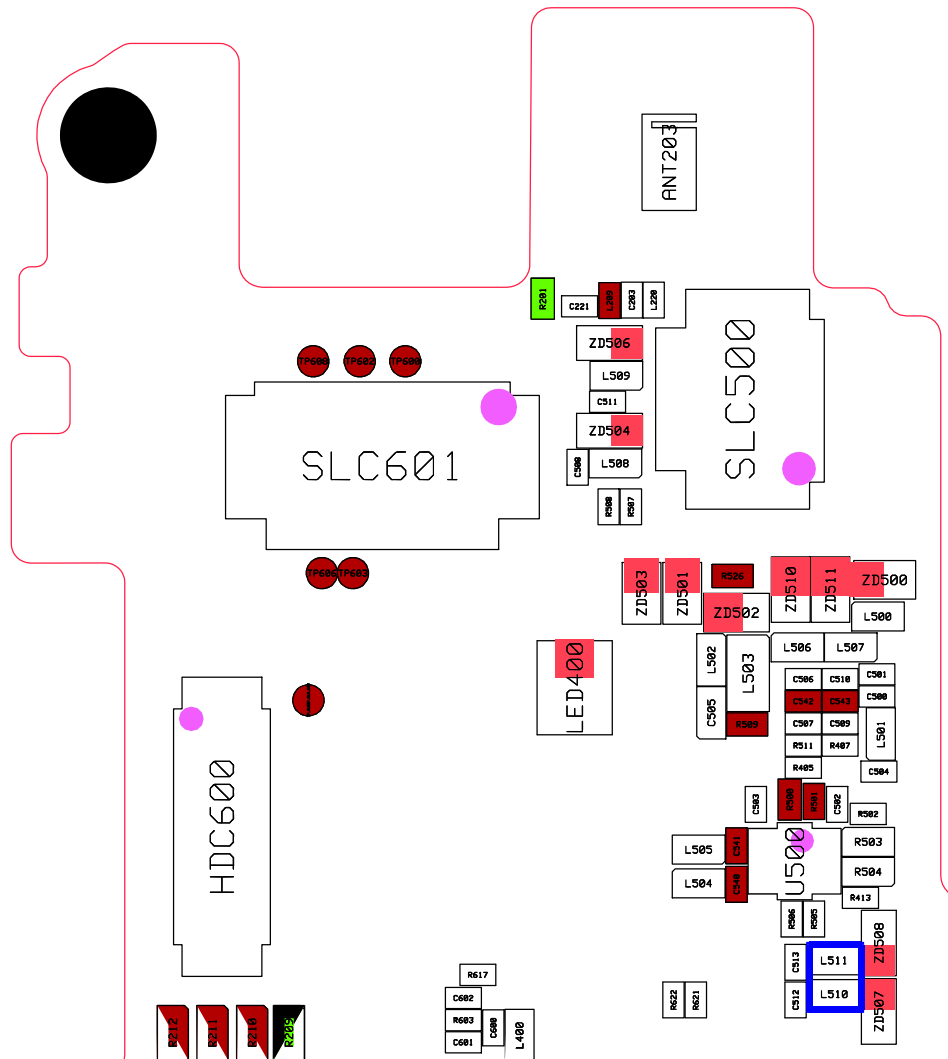


## 8-3-7. Speaker Part

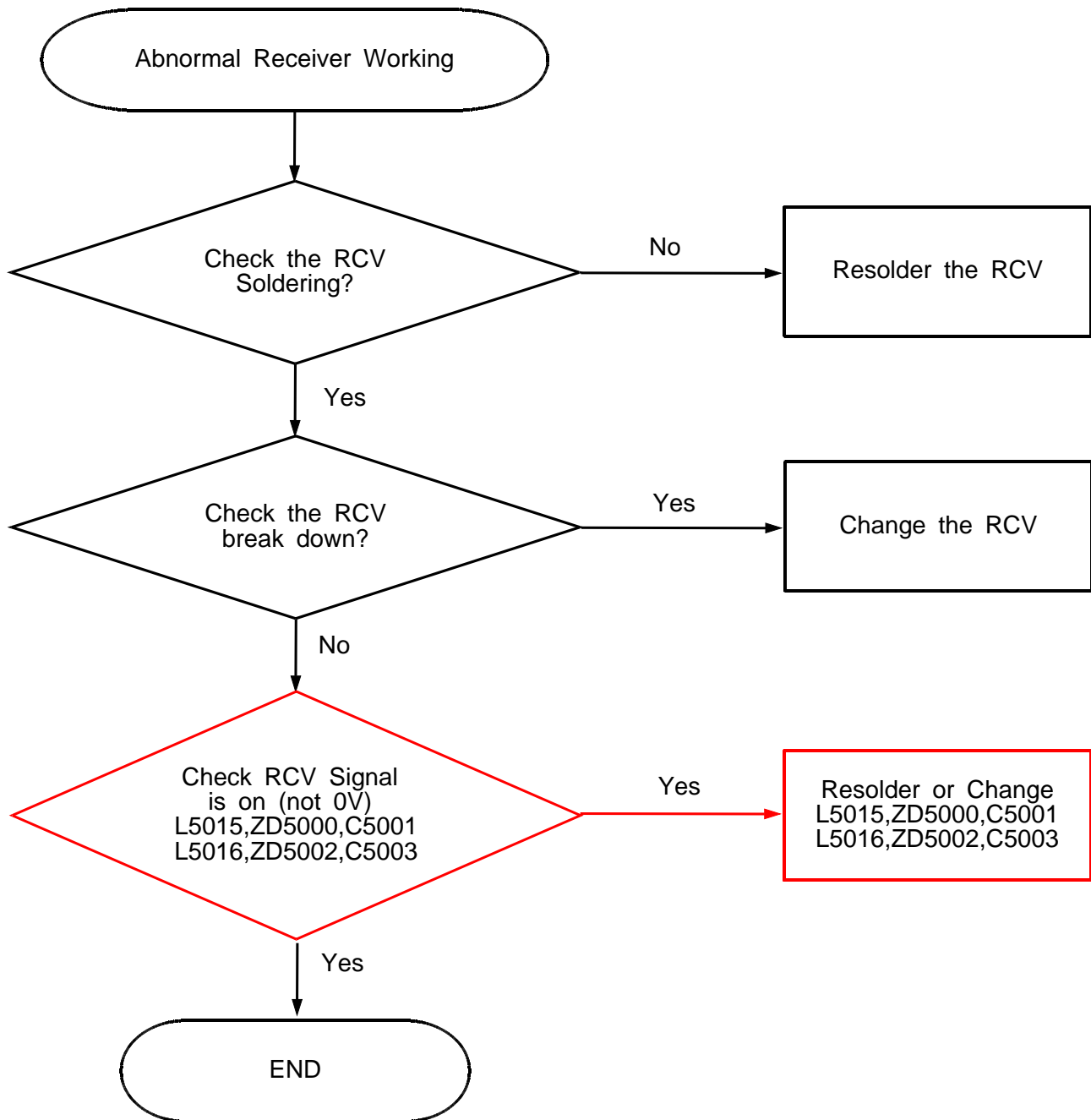


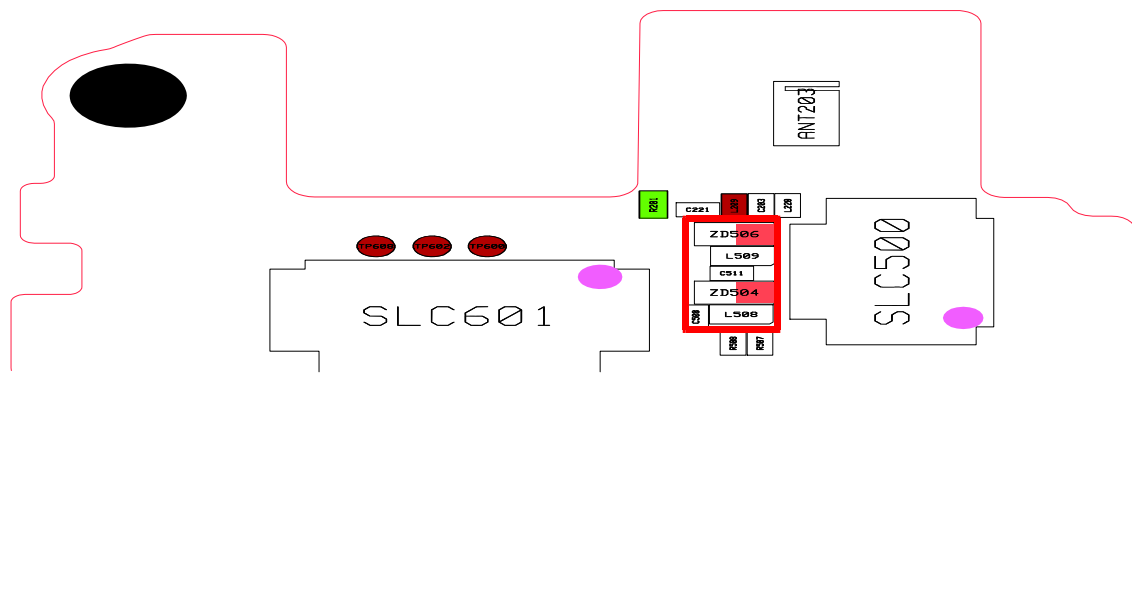
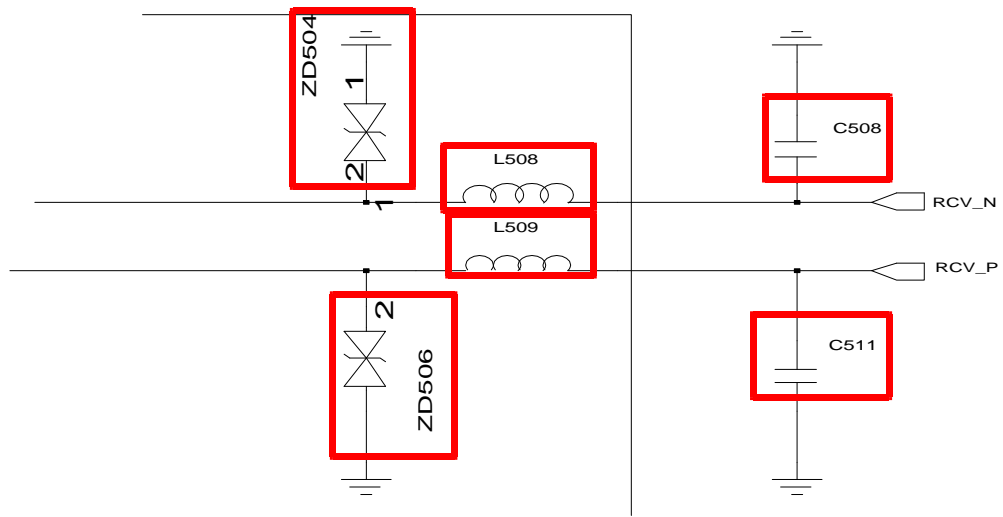


# SPK

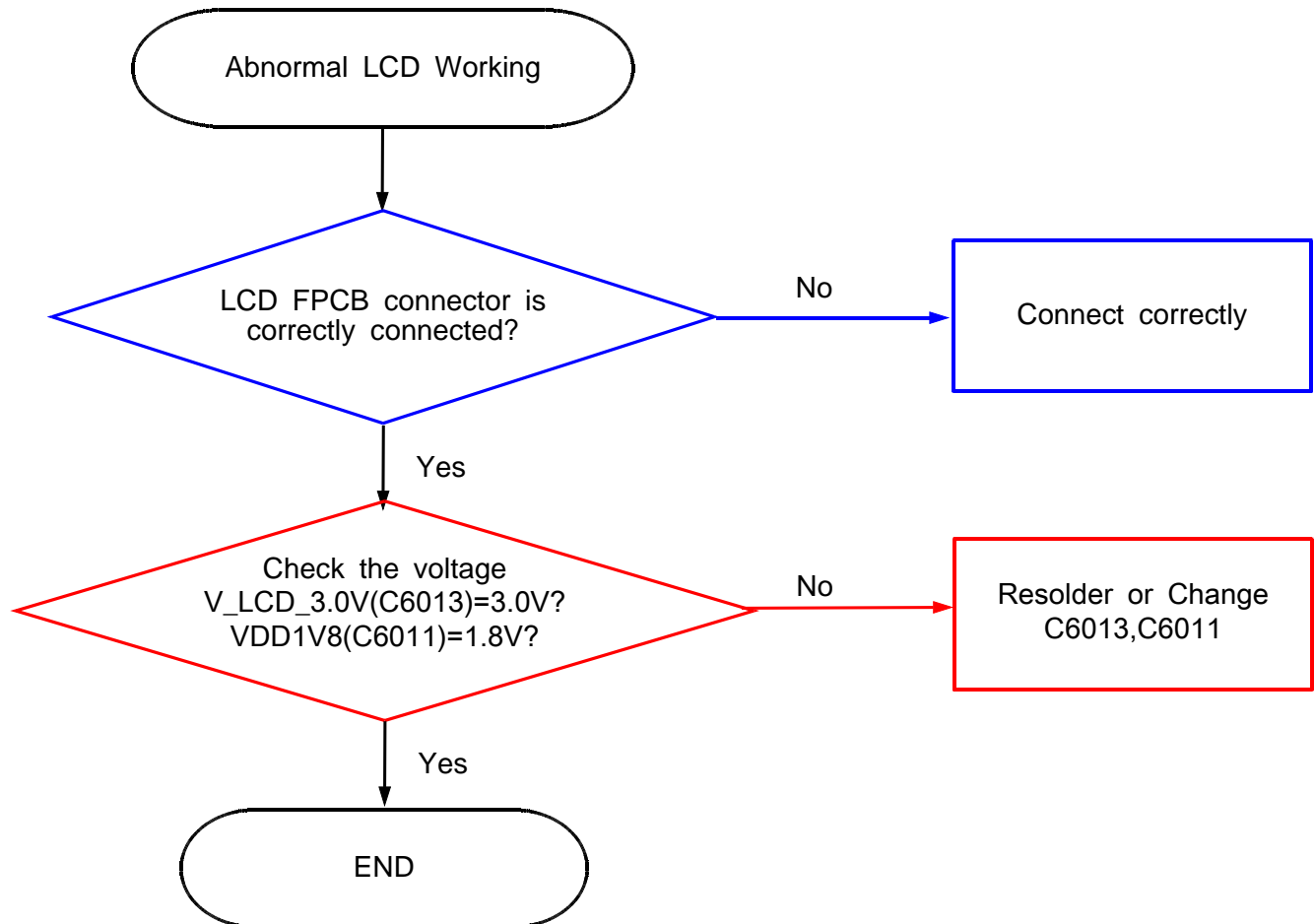


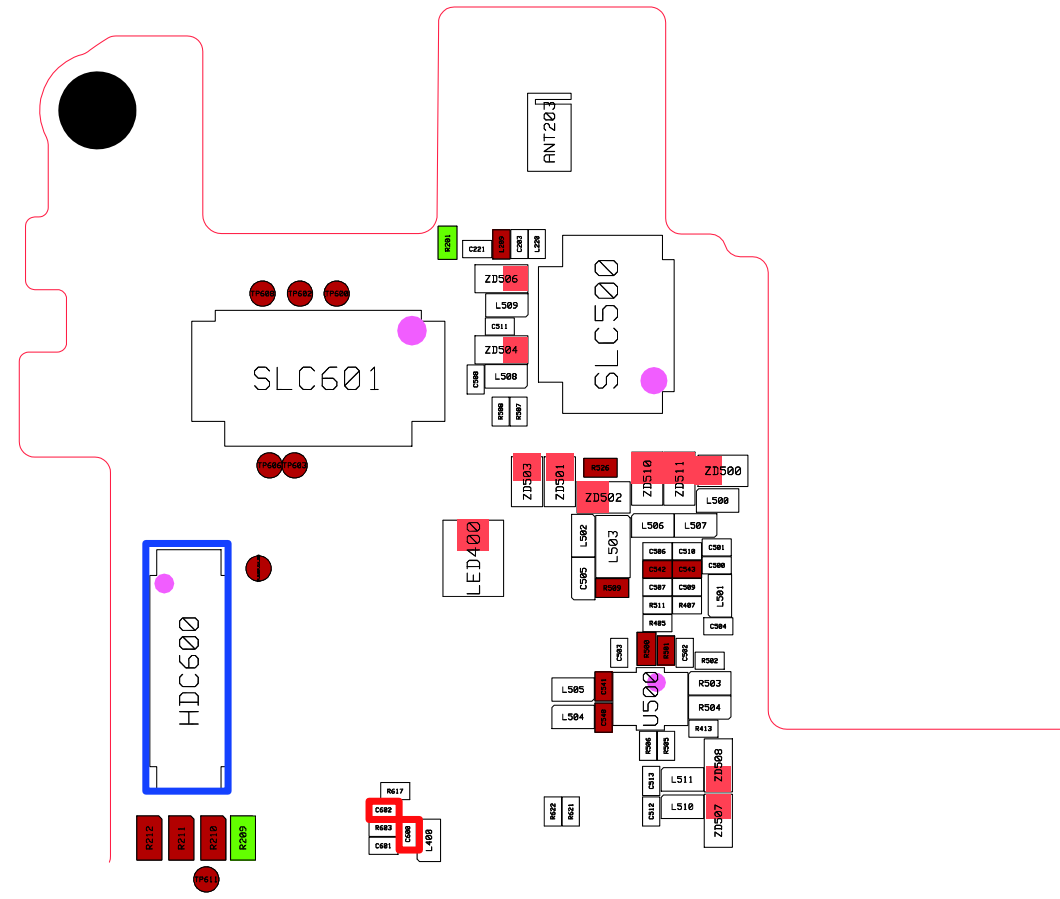
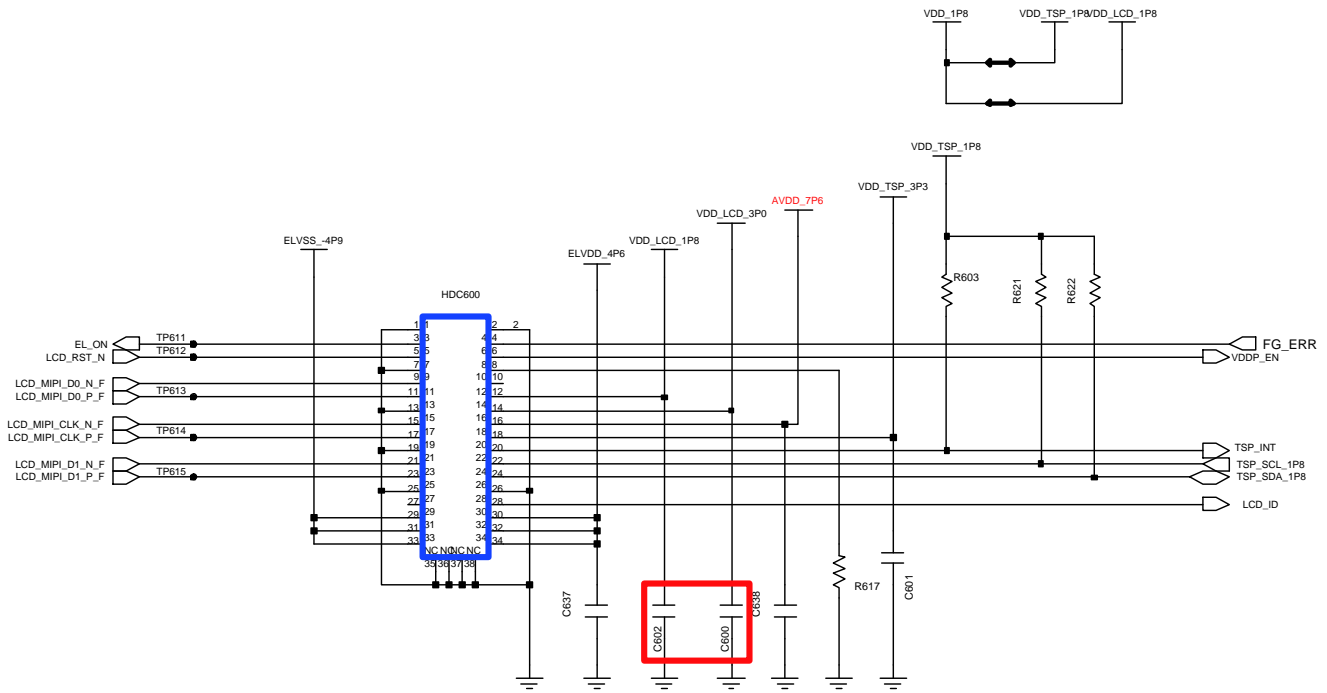
8-3-8. Receiver Part





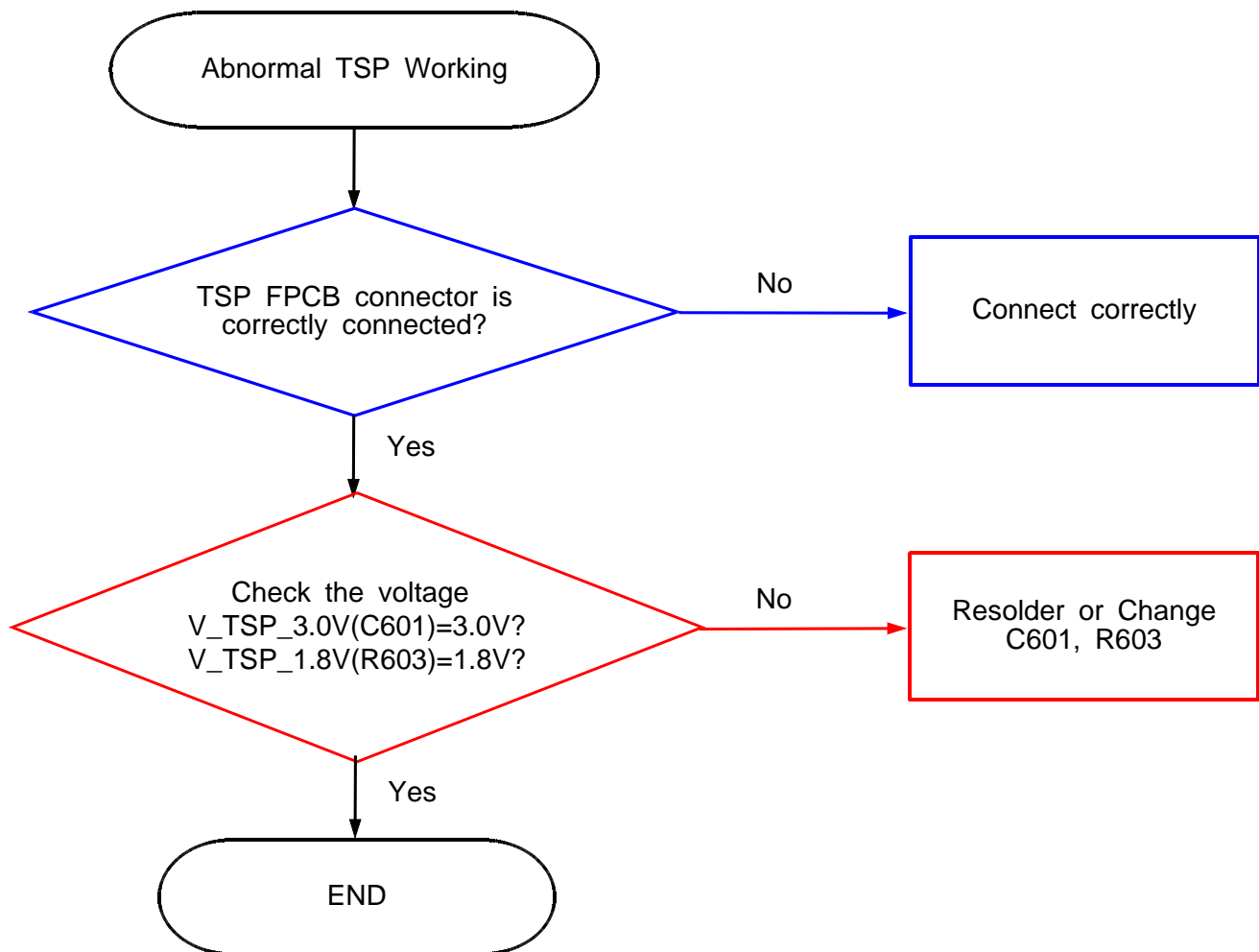
## 8-3-9. LCD Working

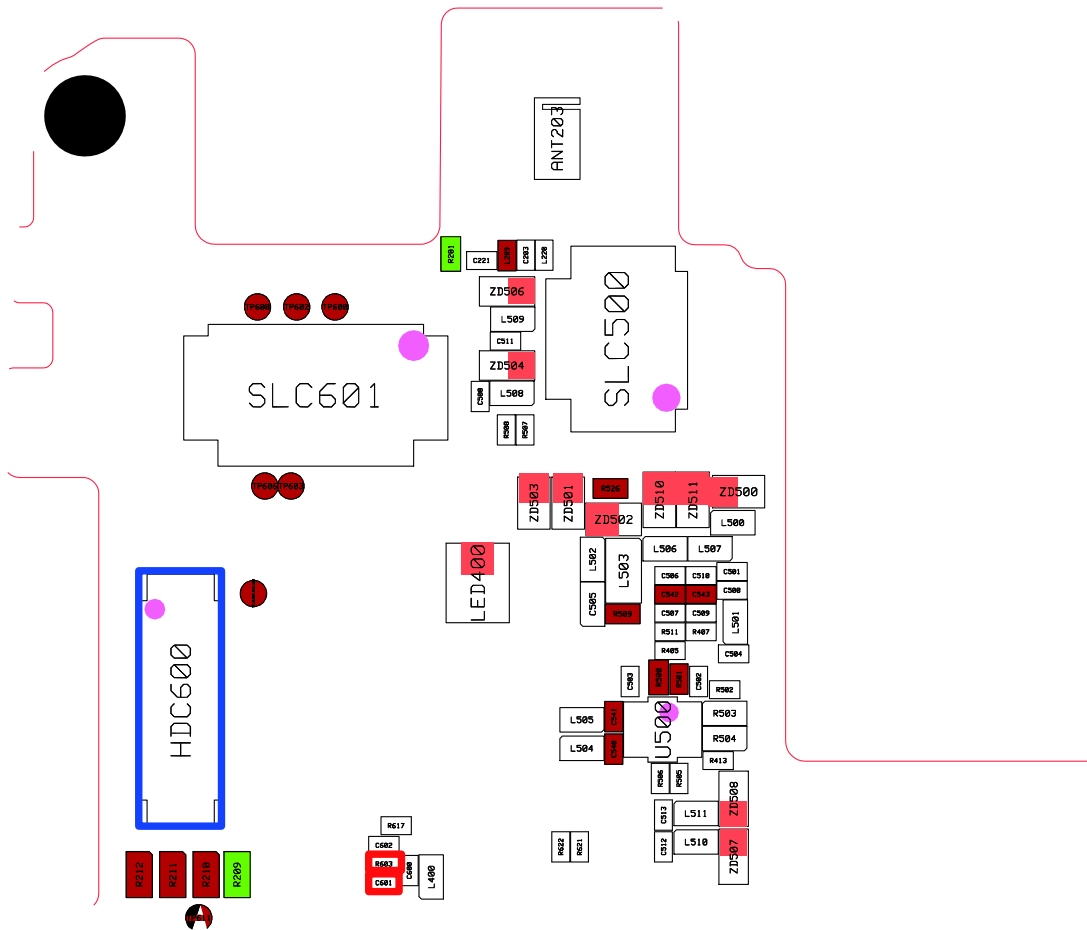
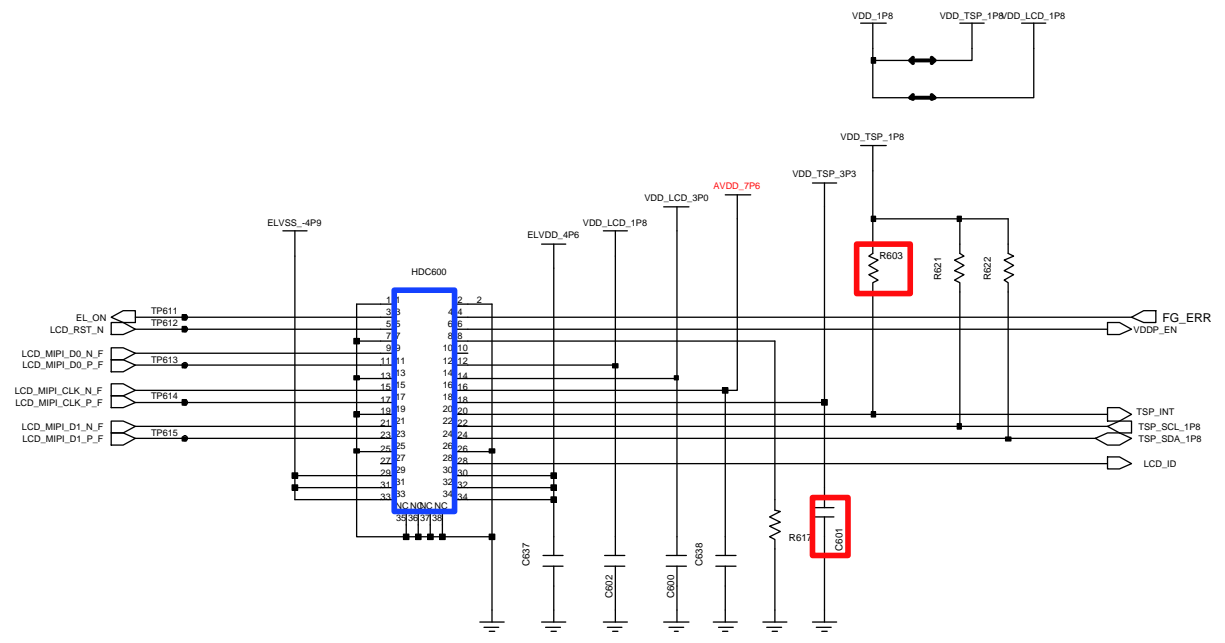




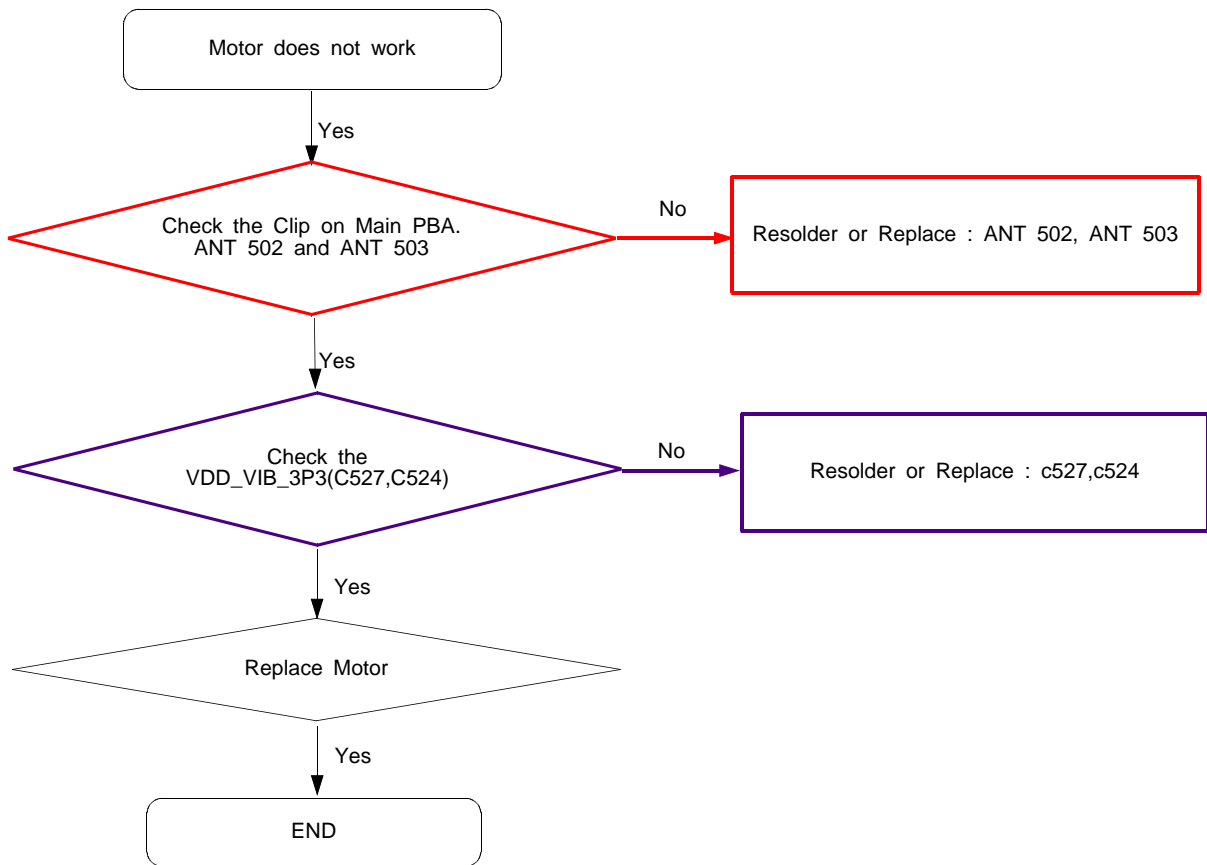


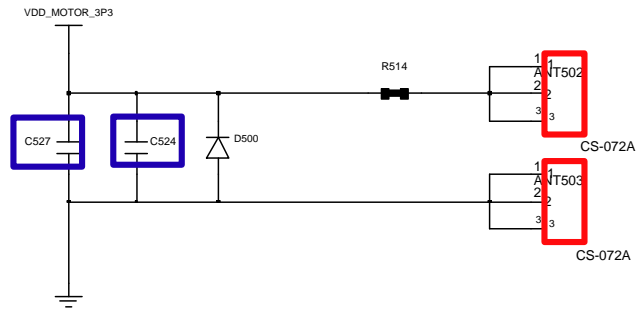
## 8-3-10. TSP Working



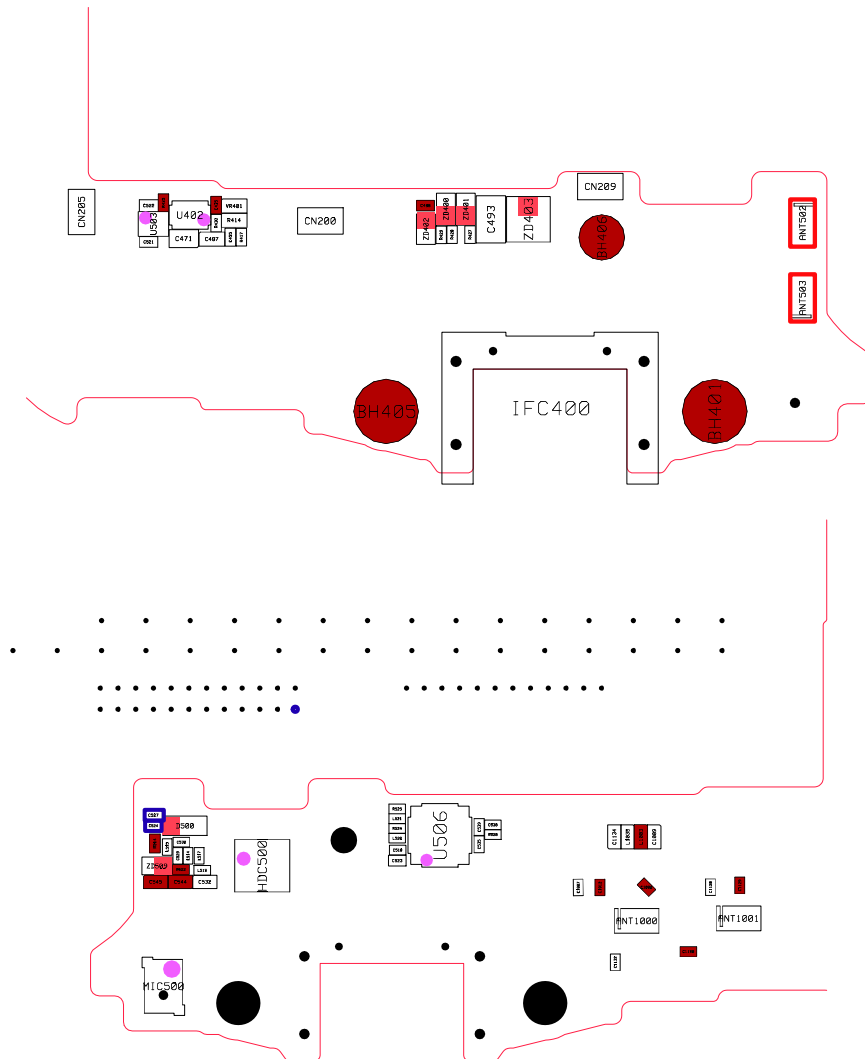


8-3-11.MOTOR WORKING

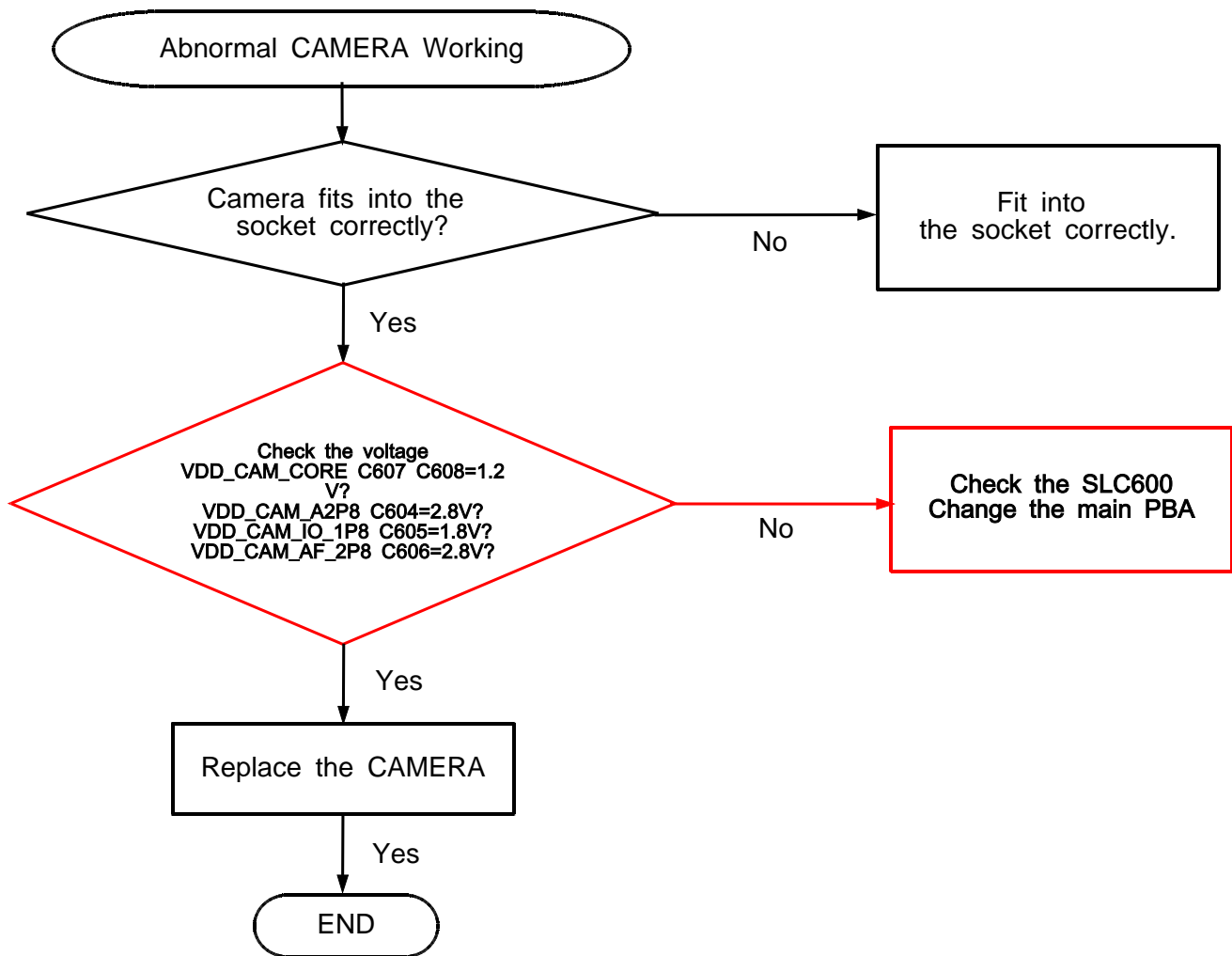


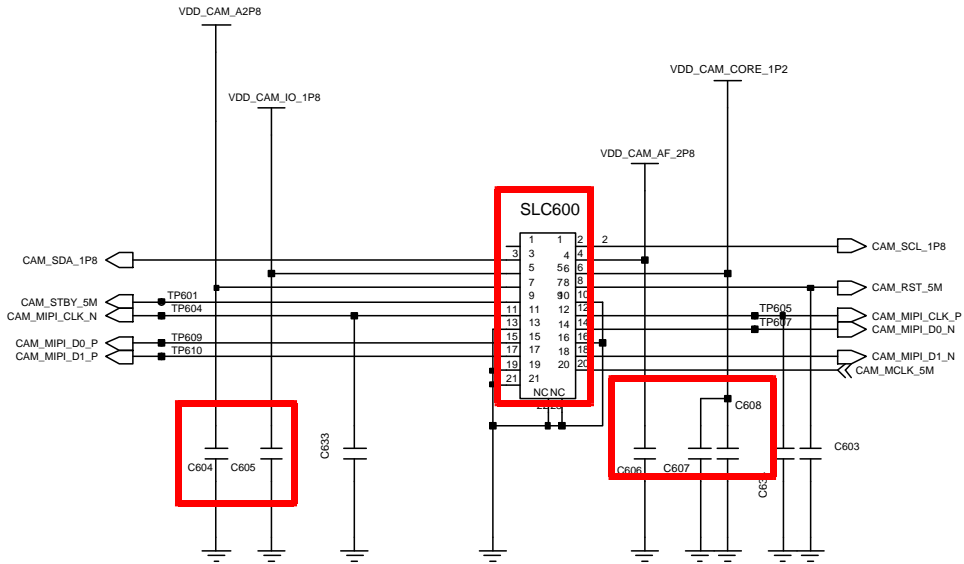
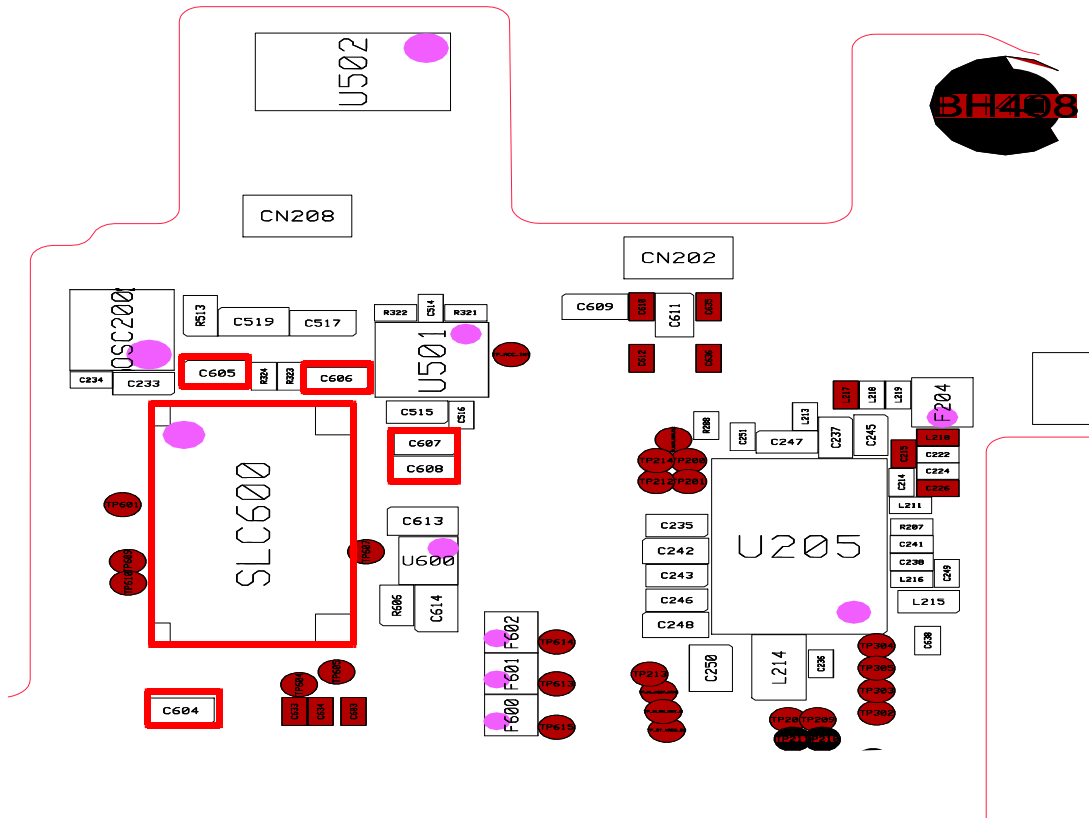


# Vibrator LDO / PAD



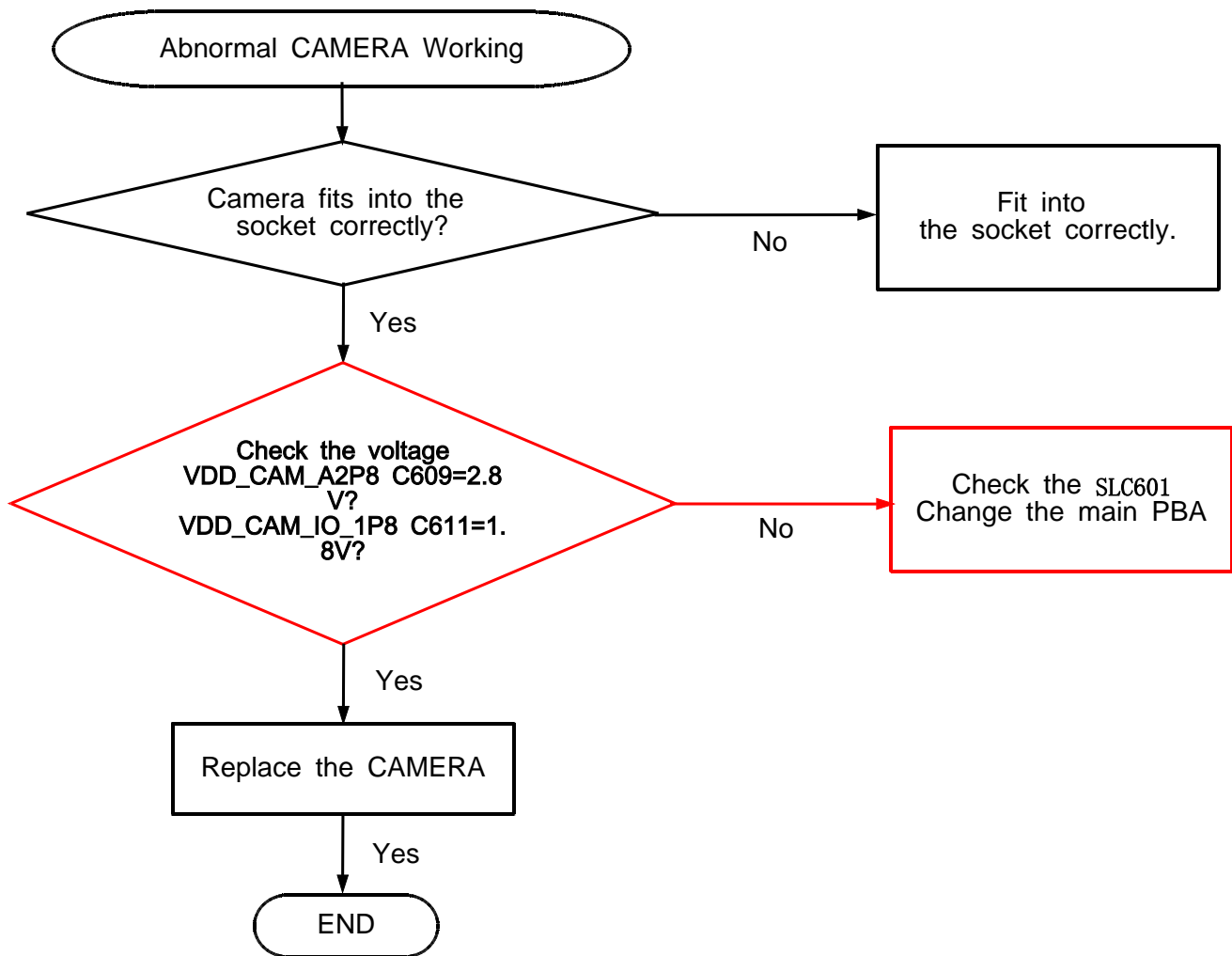
## 8-3-12 5M CAM

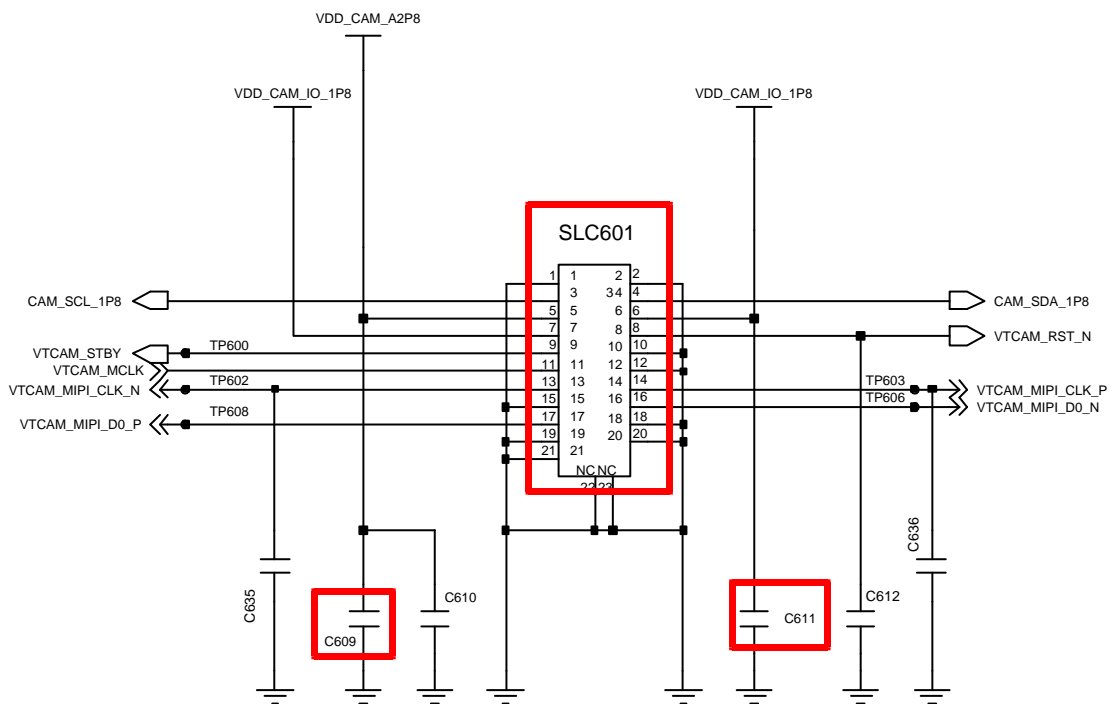
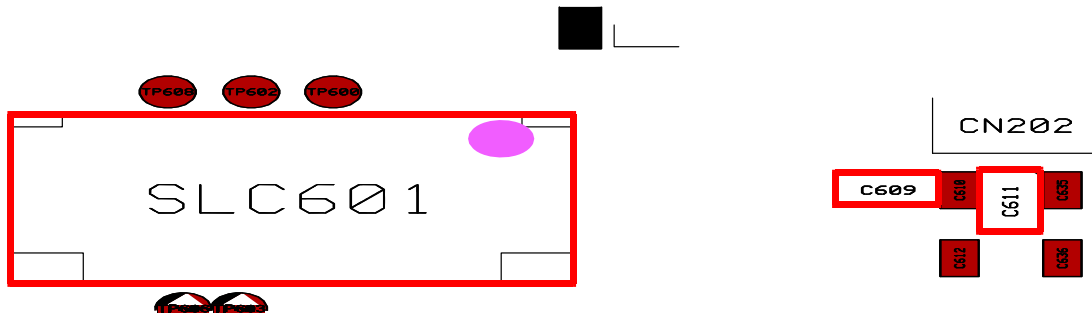




## 5M CAM [Soc. type]

8-3-13 2M CAM





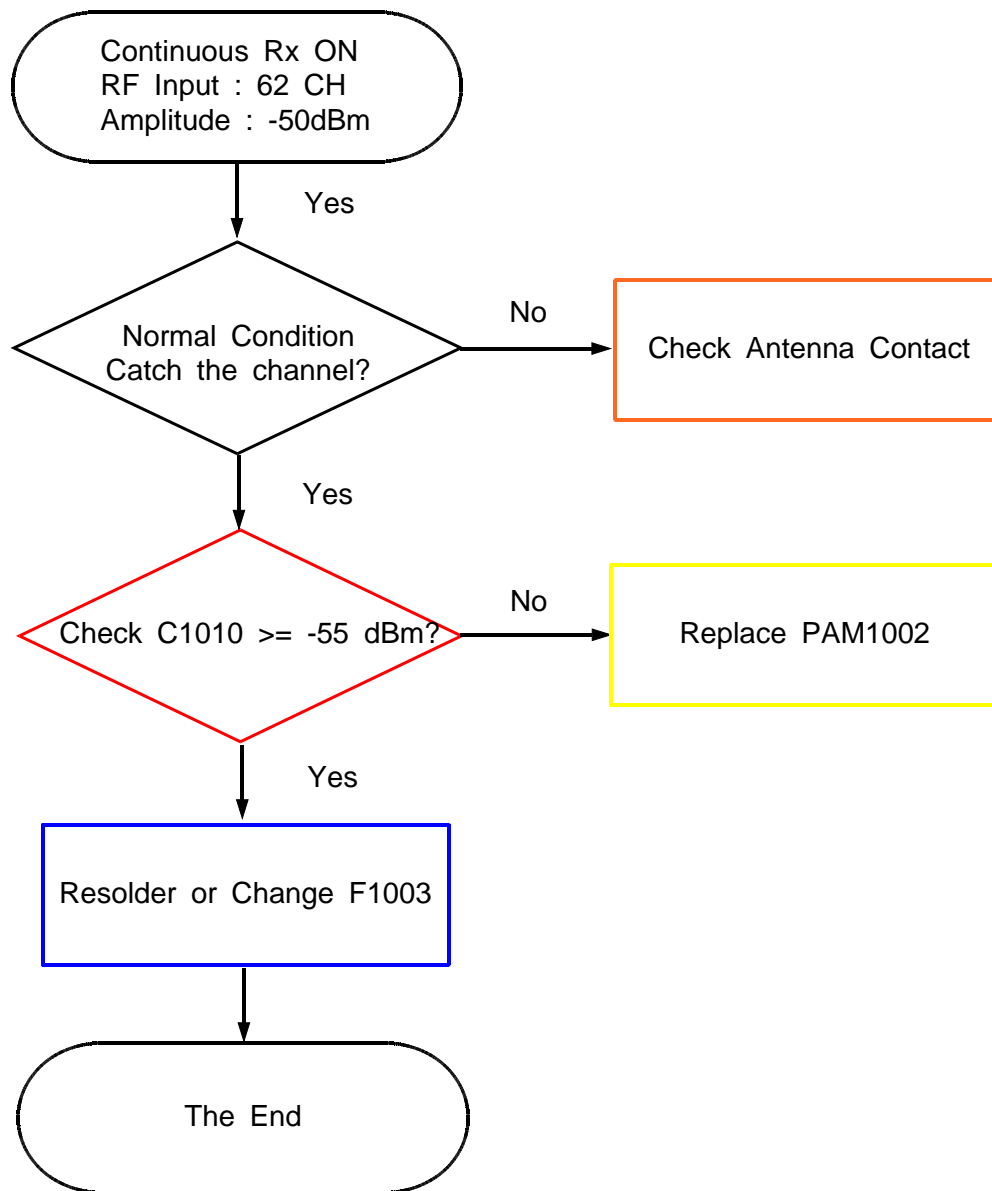
## 2M CAM



## 8-3-14. GSM850 RX

\*\*If you check the tx chain,

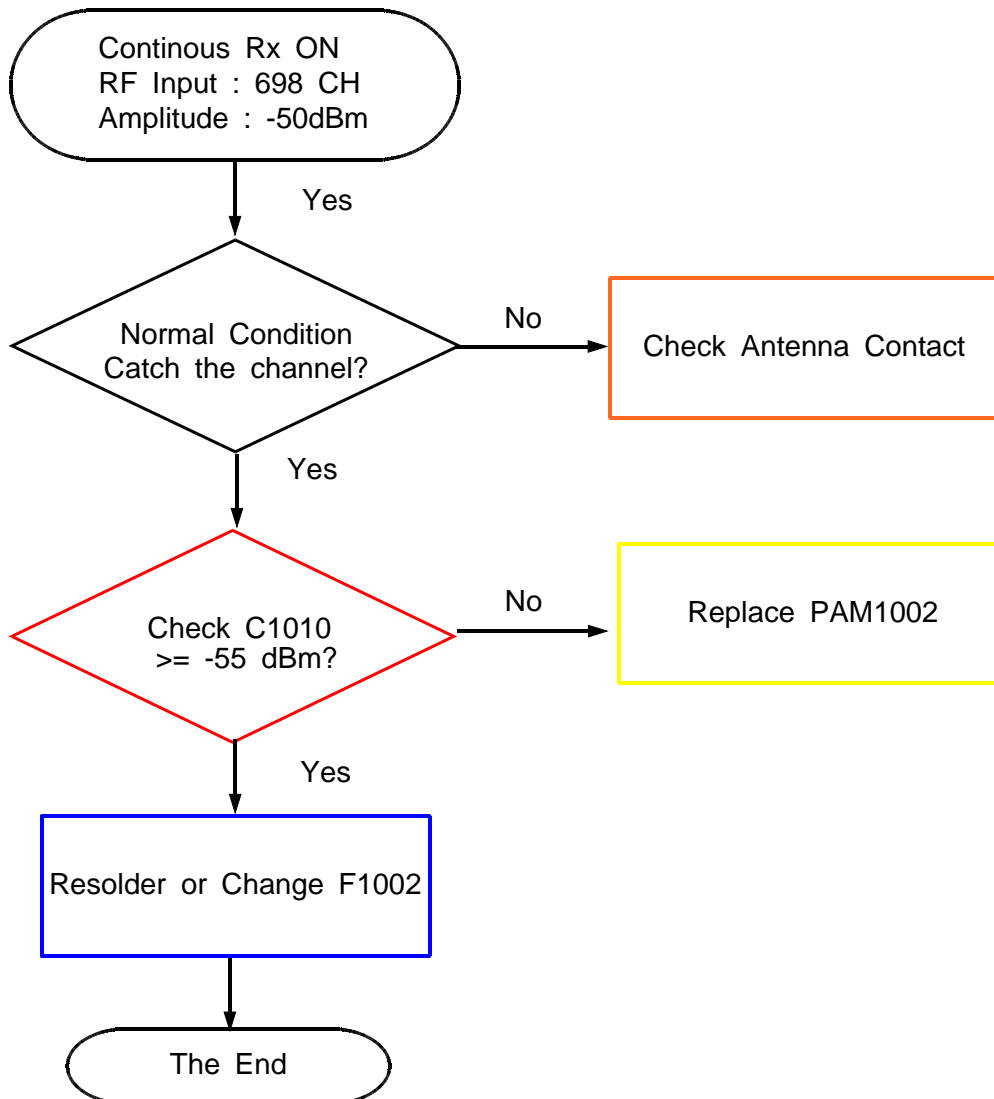
Check the not only RF Device but also resistor, inductor and capacitor.



### 8-3-15. DCS/PCS RX

\*\*If you check the tx chain,

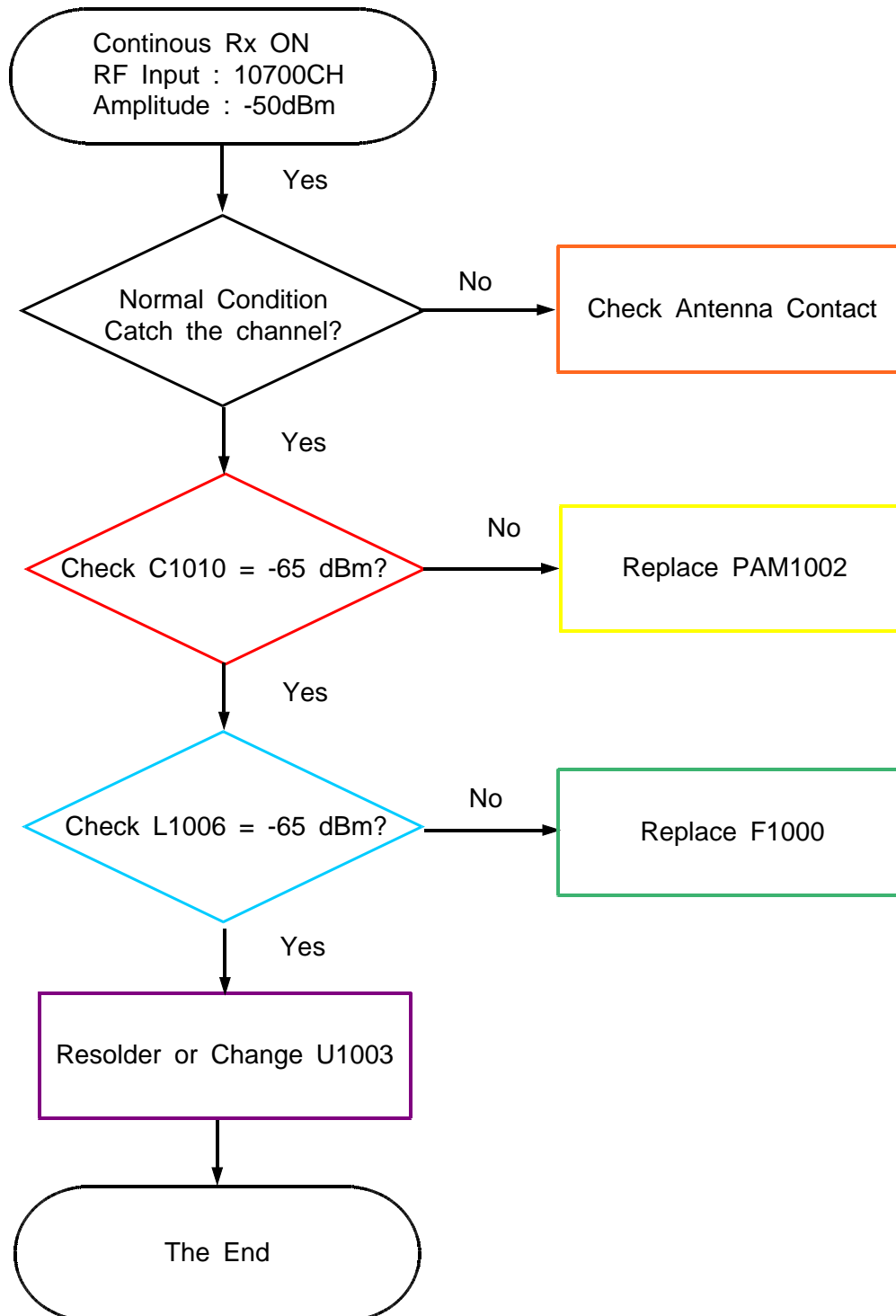
Check the not only RF Device but also resistor, inductor and capacitor.



## 8-3-16. WCDMA Band1 RX

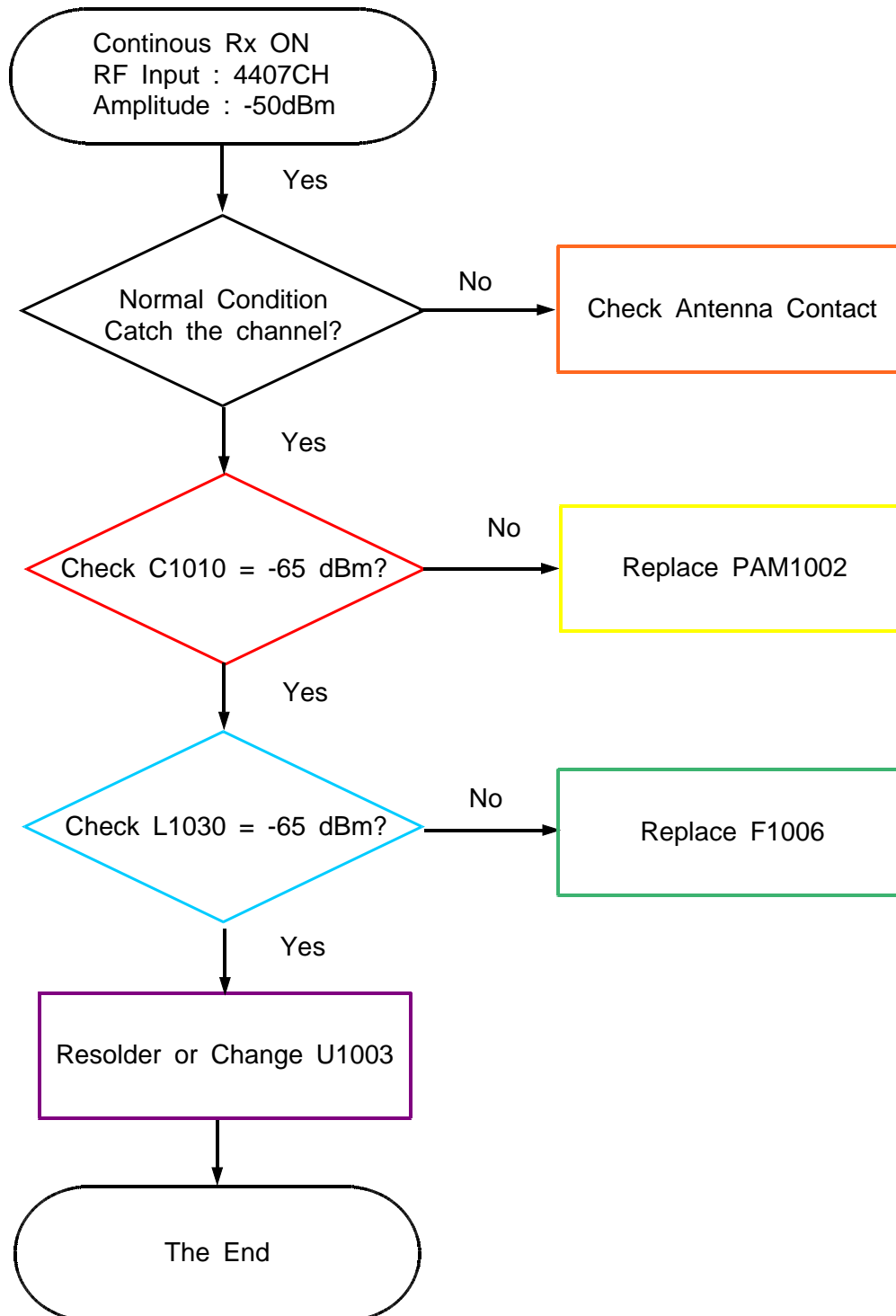
\*\*If you check the tx chain,

Check the not only RF Device but also resistor, inductor and capacitor.



8-3-17. WCDMA Band5 RX

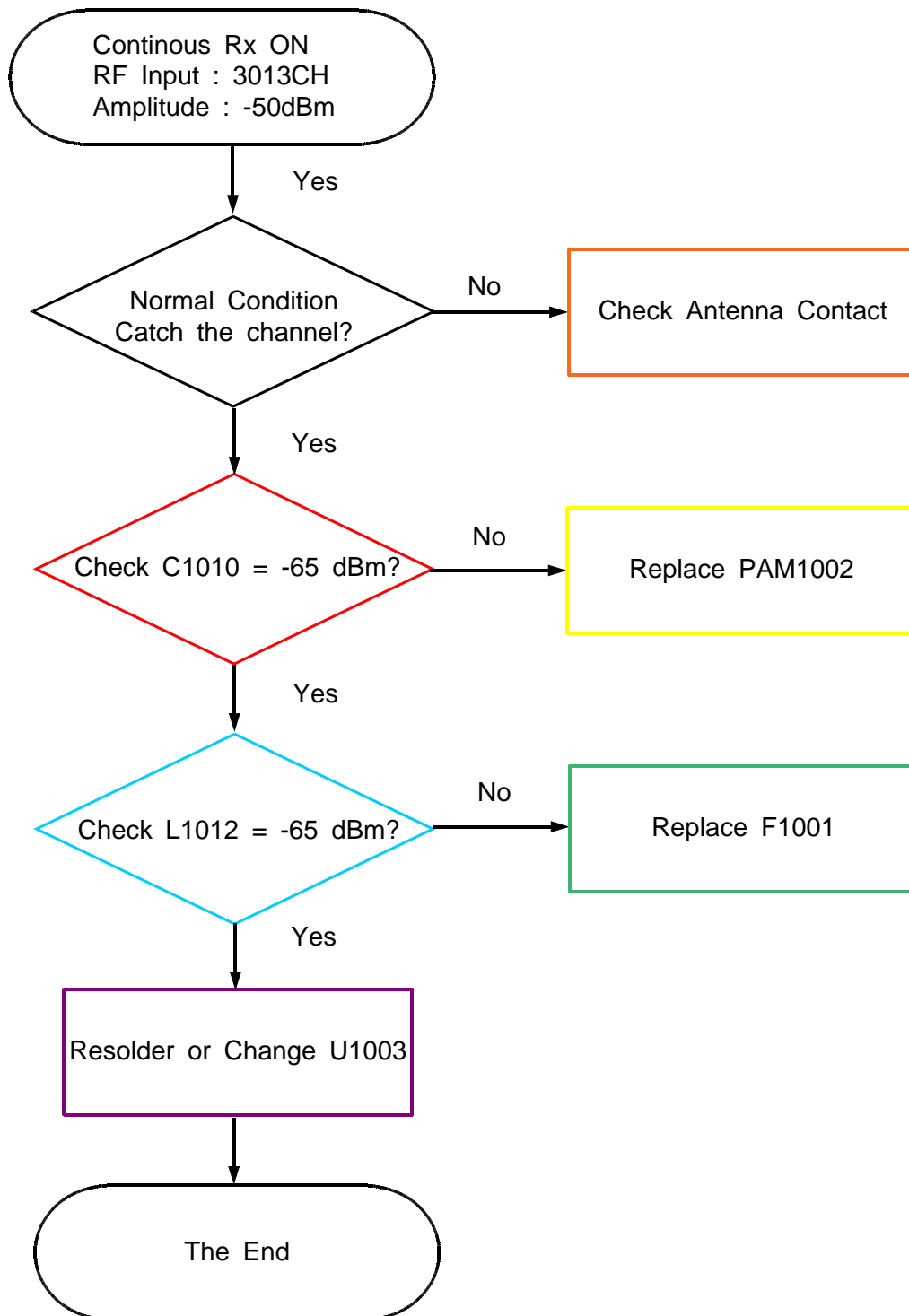
\*\*If you check the tx chain,  
Check the not only RF Device but also resistor, inductor and capacitor.

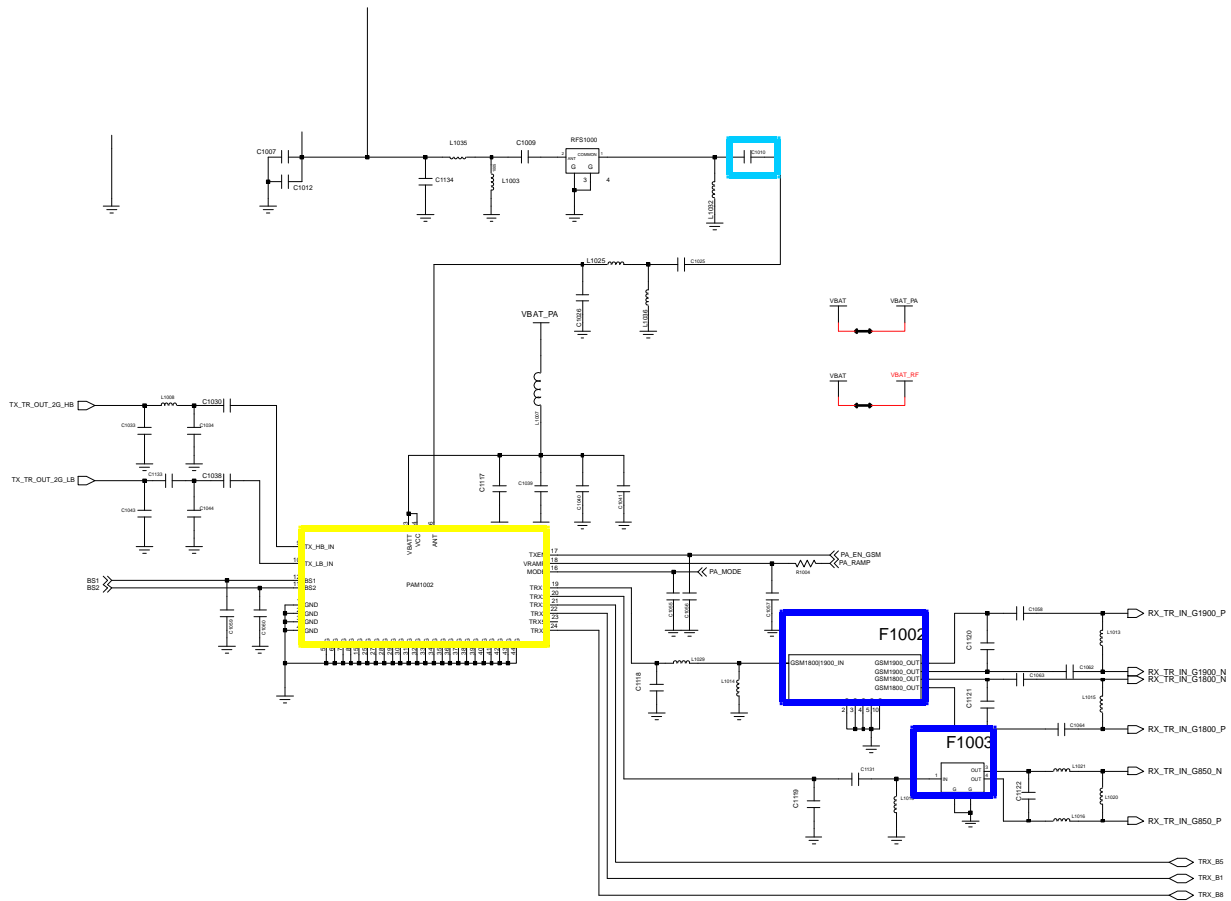


## 8-3-18. WCDMA Band8 RX

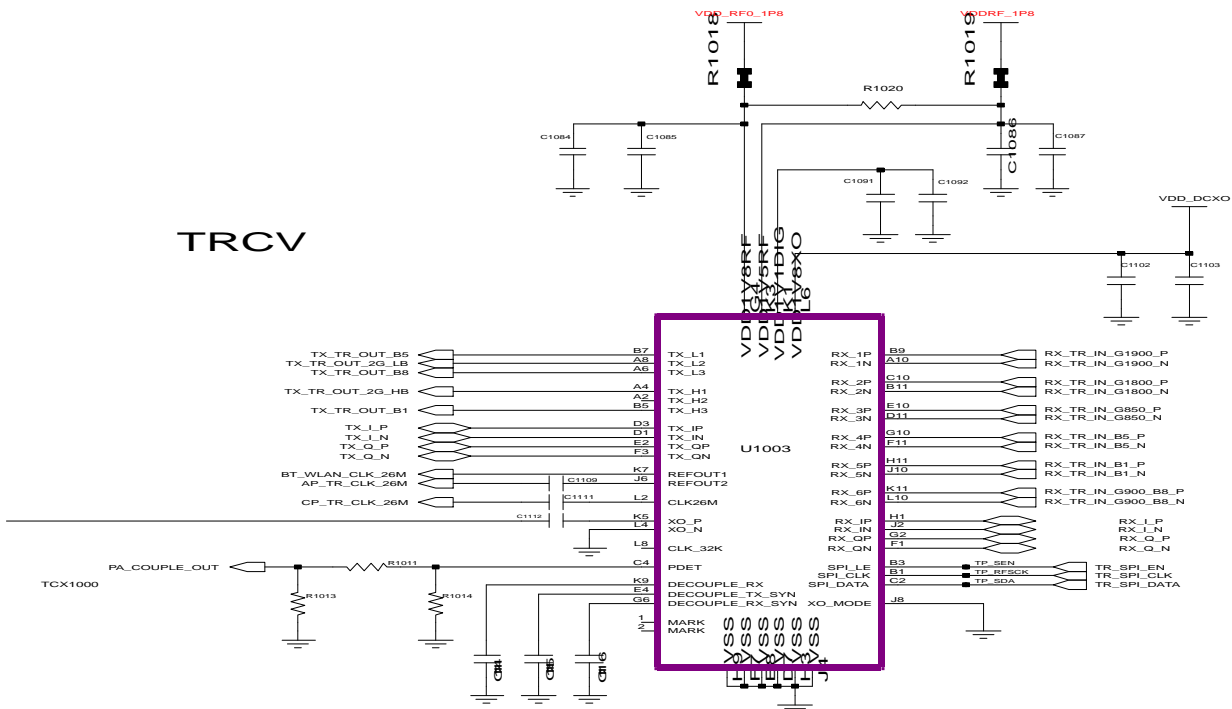
\*\*If you check the tx chain,

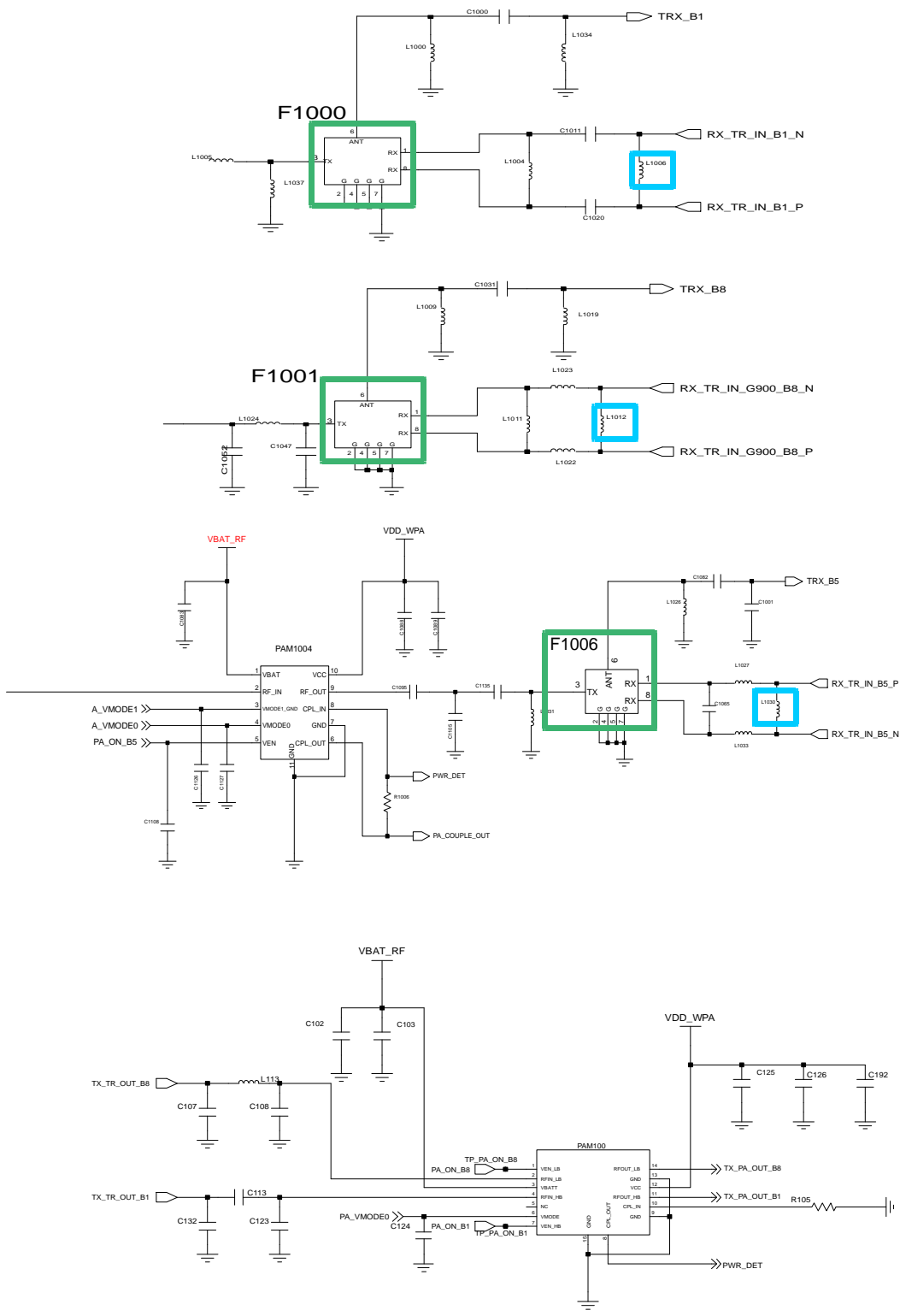
Check the not only RF Device but also resistor, inductor and capacitor.



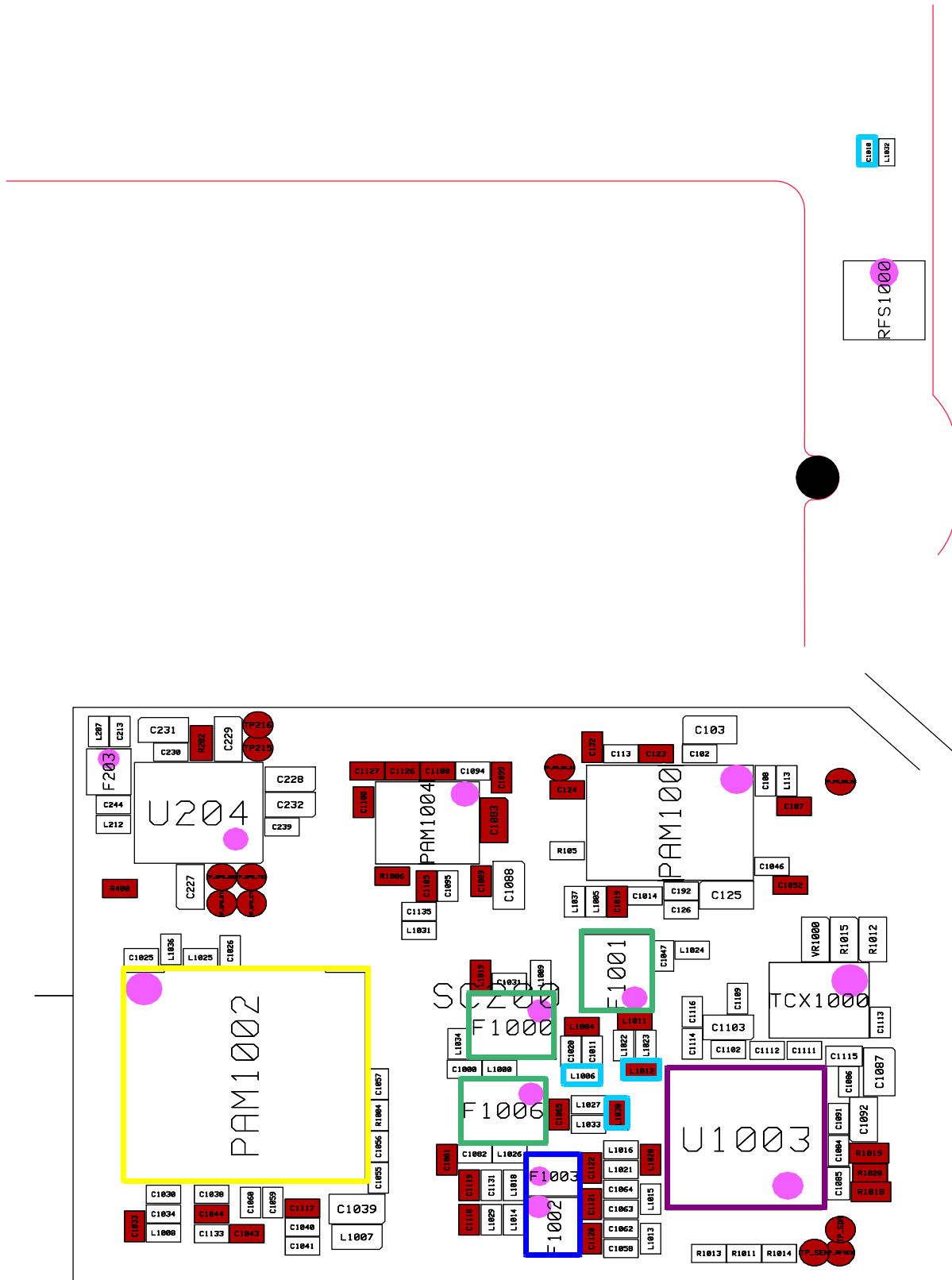


TRCV





# 3G PA

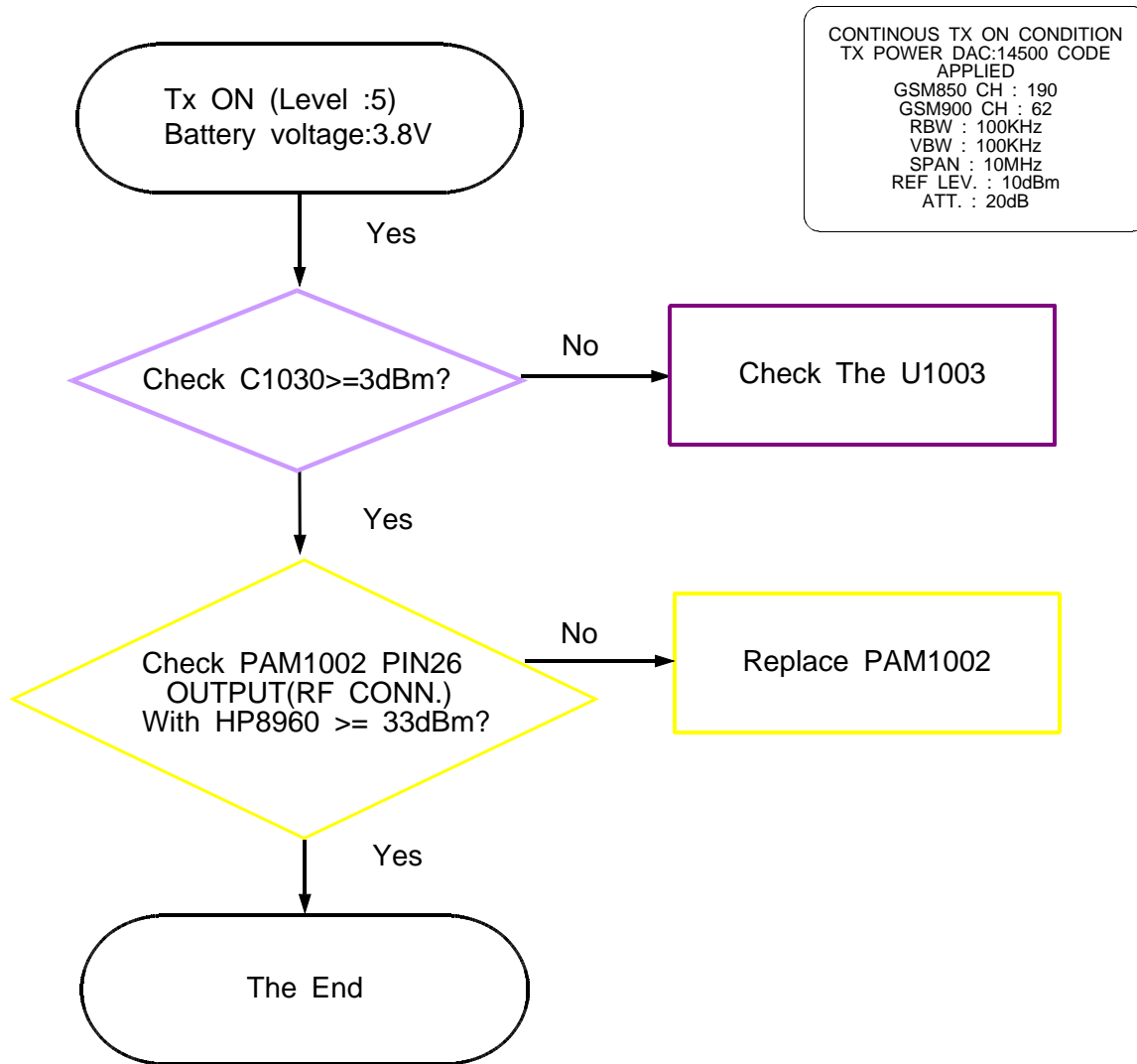




8-3-19. GSM850/900 TX

\*\*If you check the tx chain,

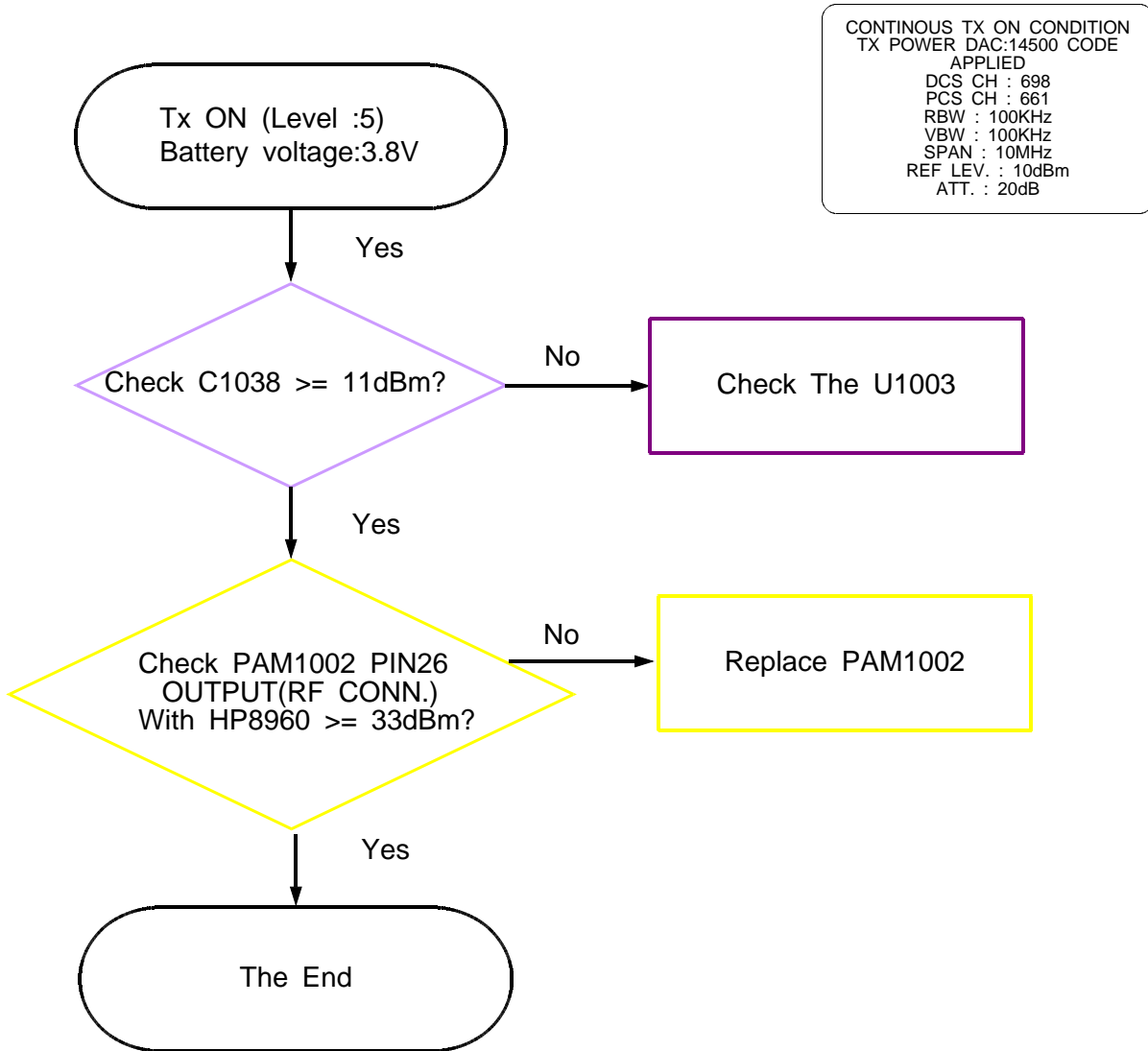
Check the not only RF Device but also resistor, inductor and capacitor.



8-3-20. DCS/PCS TX

\*\*If you check the tx chain,

Check the not only RF Device but also resistor, inductor and capacitor.

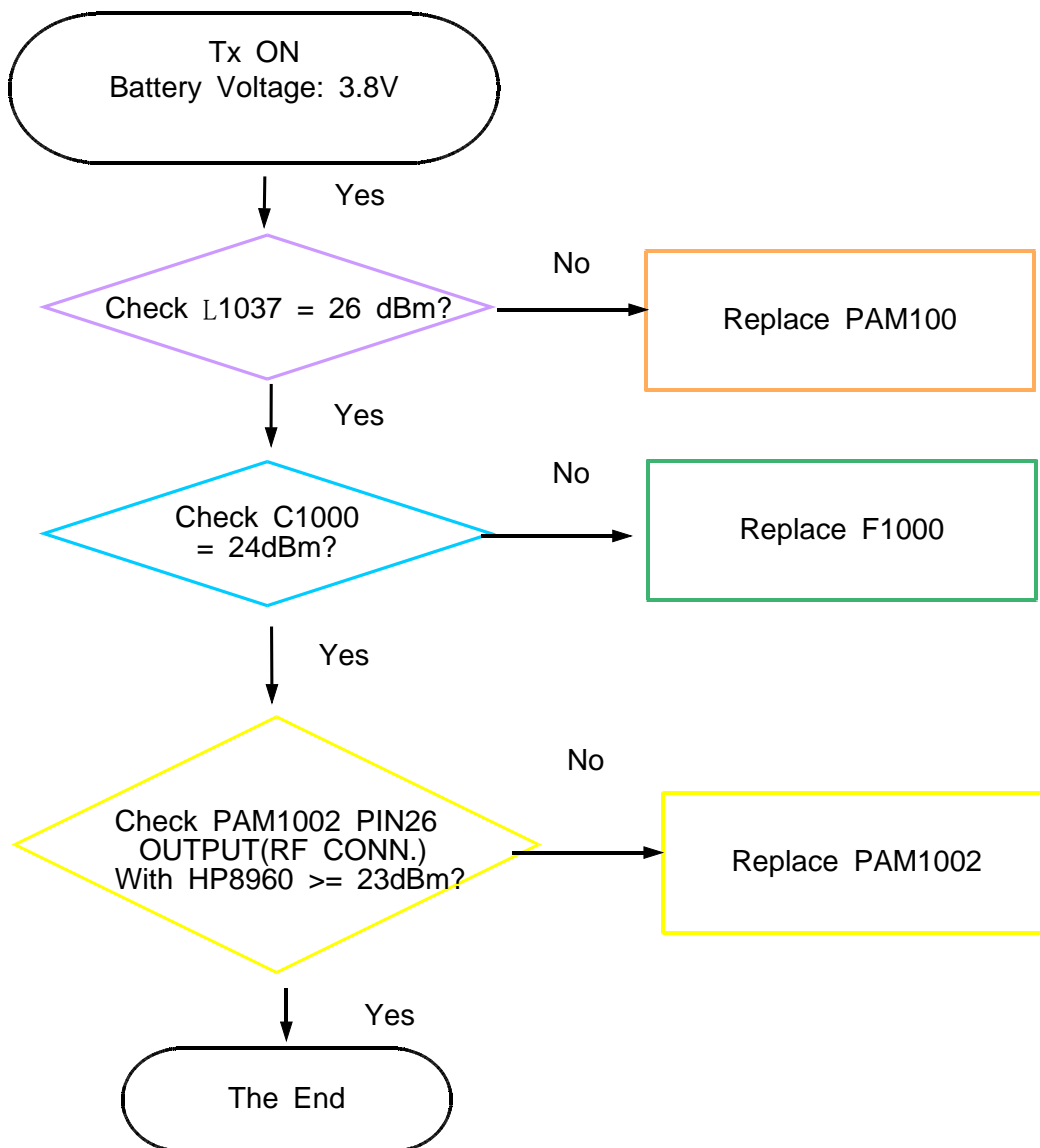


8-3-21. WCDMA Band1 TX

\*\*If you check the tx chain,

Check the not only RF Device but also resistor, inductor and capacitor.

CONTINUOUS TX ON CONDITION  
 TX POWER DAC:120 CODE APPLIED  
 CH : 10700  
 RBW : 100KHz  
 VBW : 100KHz  
 SPAN : 10MHz  
 REF LEV. : 10dBm  
 ATT. : 20dB

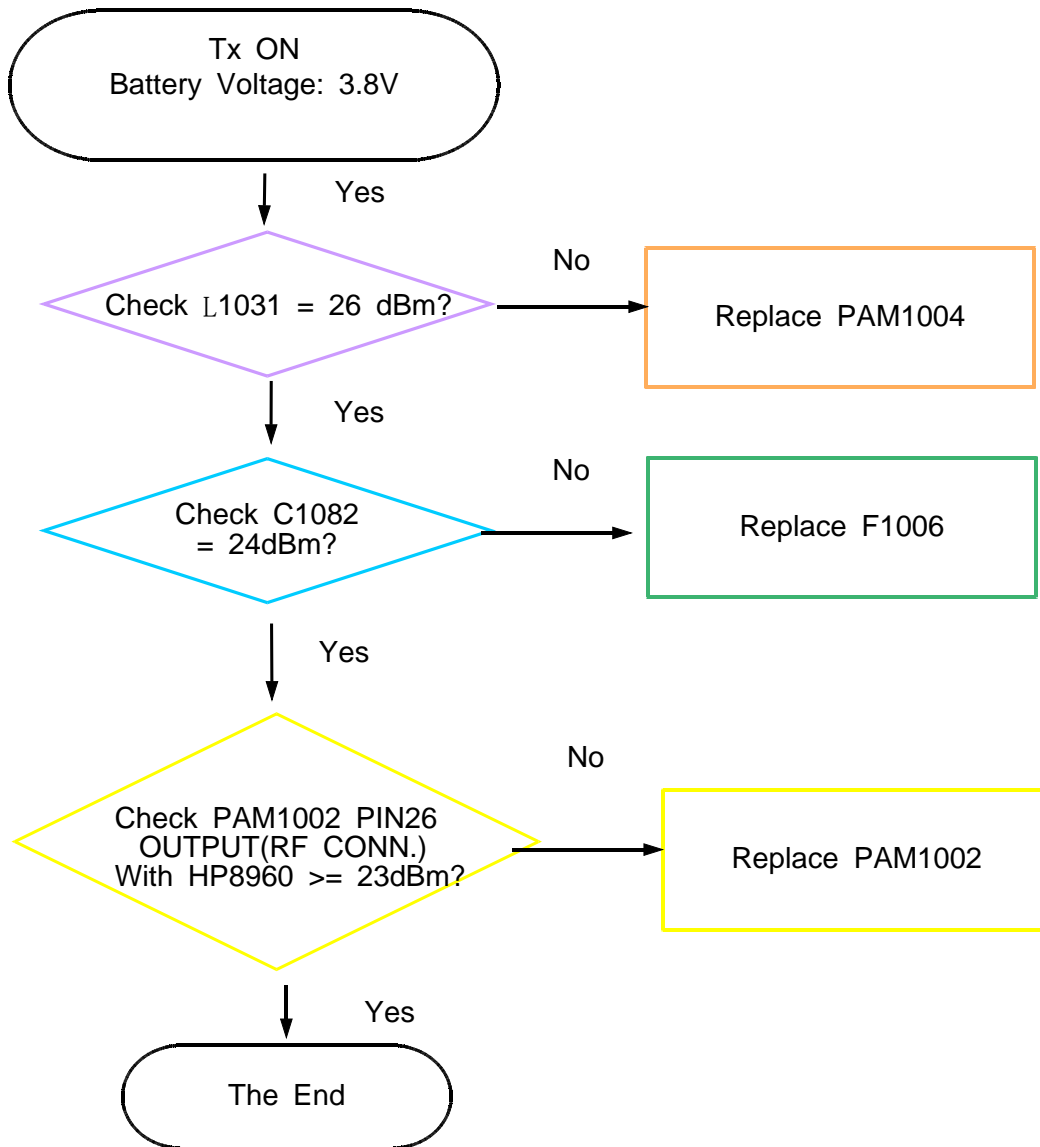


8-3-22. WCDMA Band5 TX

\*\*If you check the tx chain,

Check the not only RF Device but also resistor, inductor and capacitor.

CONTINUOUS TX ON CONDITION  
 TX POWER DAC:120 CODE APPLIED  
 CH : 4407  
 RBW : 100KHz  
 VBW : 100KHz  
 SPAN : 10MHz  
 REF LEV. : 10dBm  
 ATT. : 20dB

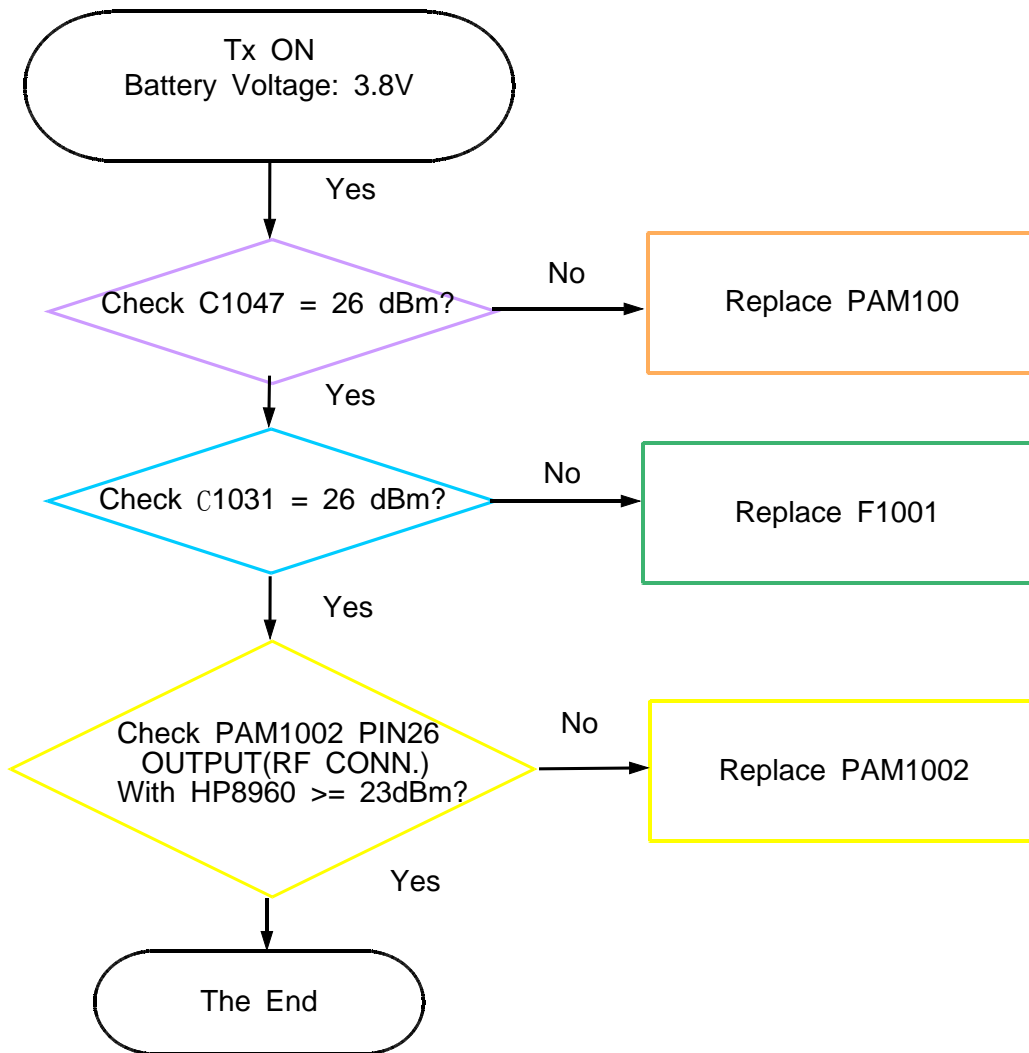


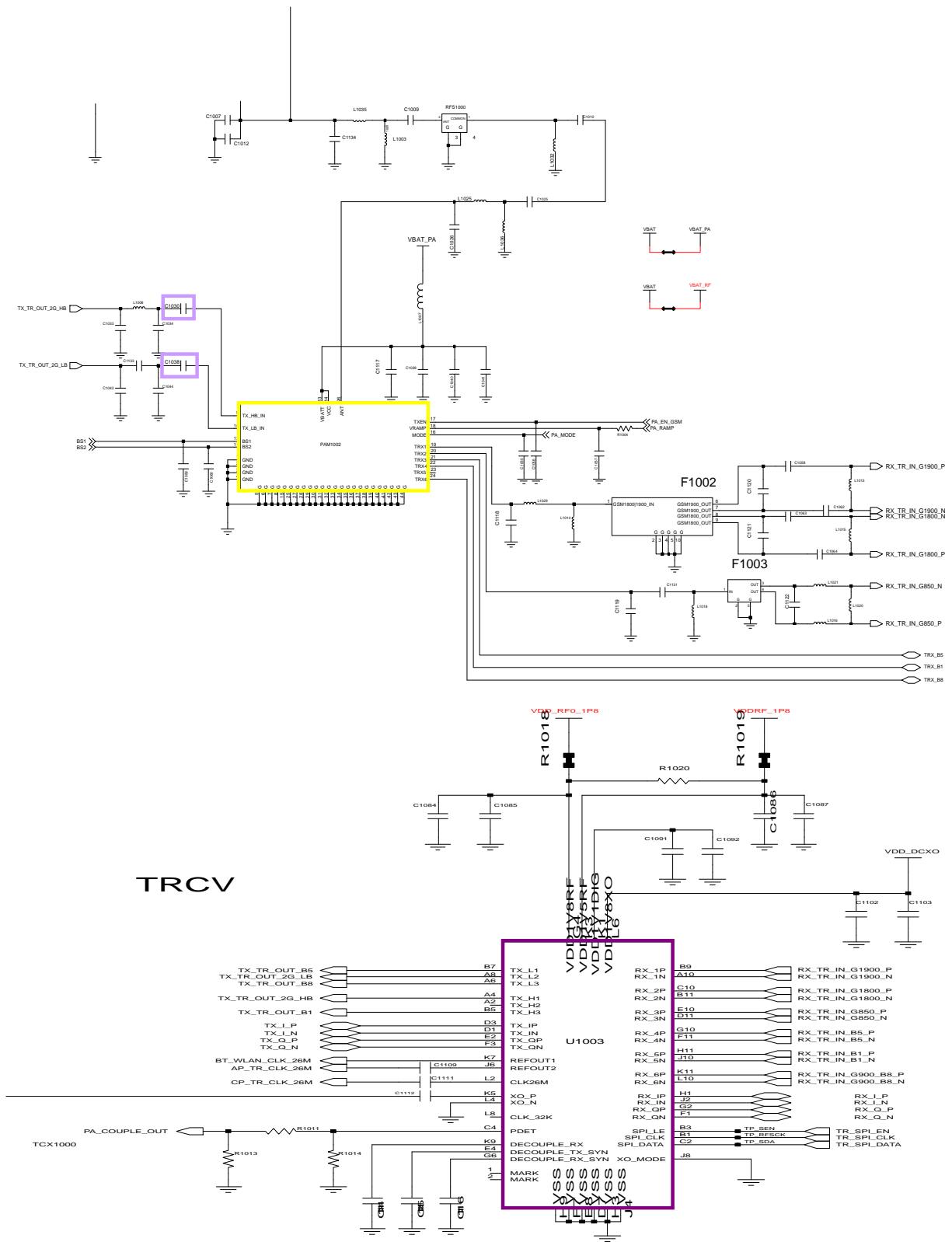
8-3-23. WCDMA Band8 TX

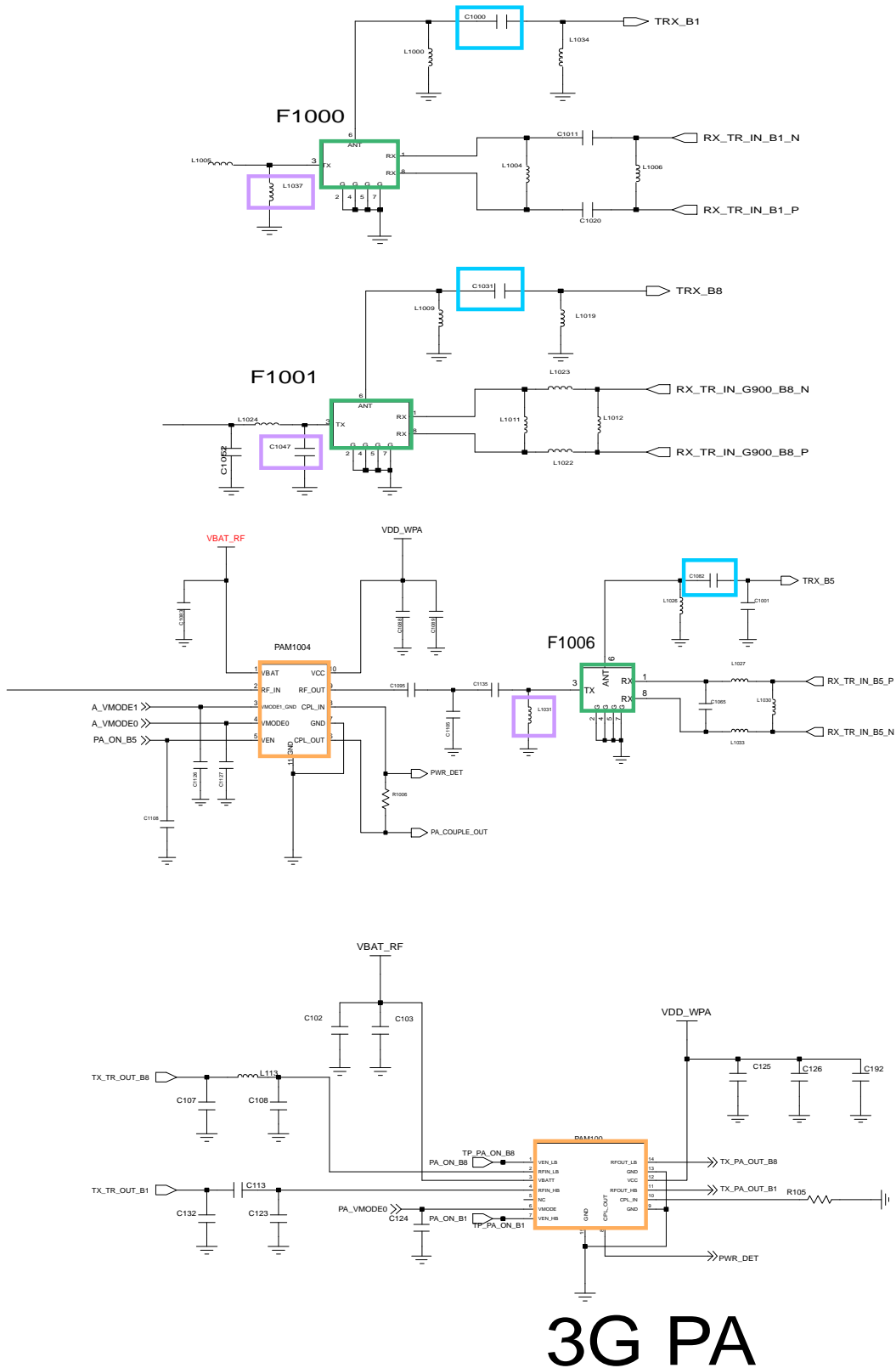
\*\*If you check the tx chain,

Check the not only RF Device but also resistor, inductor and capacitor.

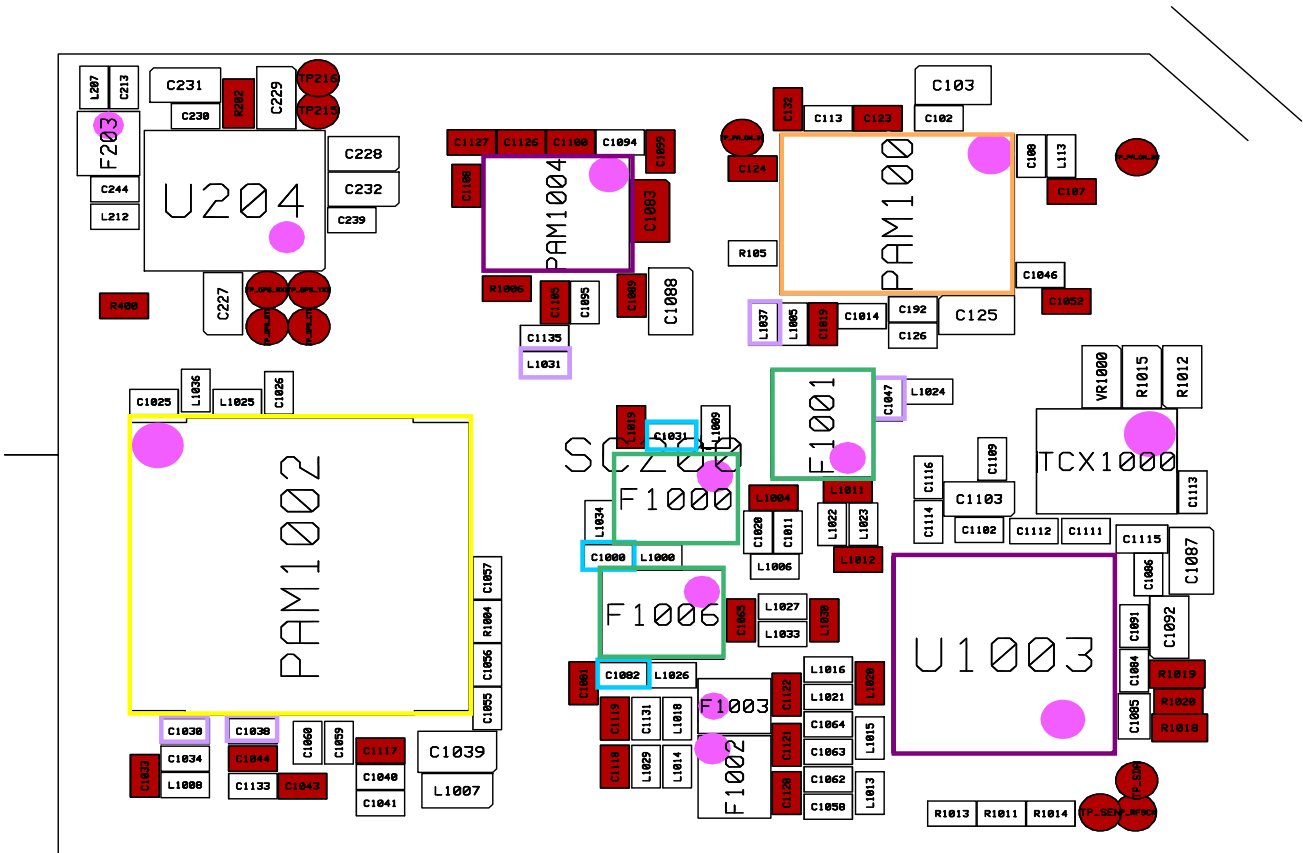
CONTINUOUS TX ON CONDITION  
 TX POWER DAC:120 CODE APPLIED  
 CH : 3013  
 RBW : 100KHz  
 VBW : 100KHz  
 SPAN : 10MHz  
 REF LEV. : 10dBm  
 ATT. : 20dB





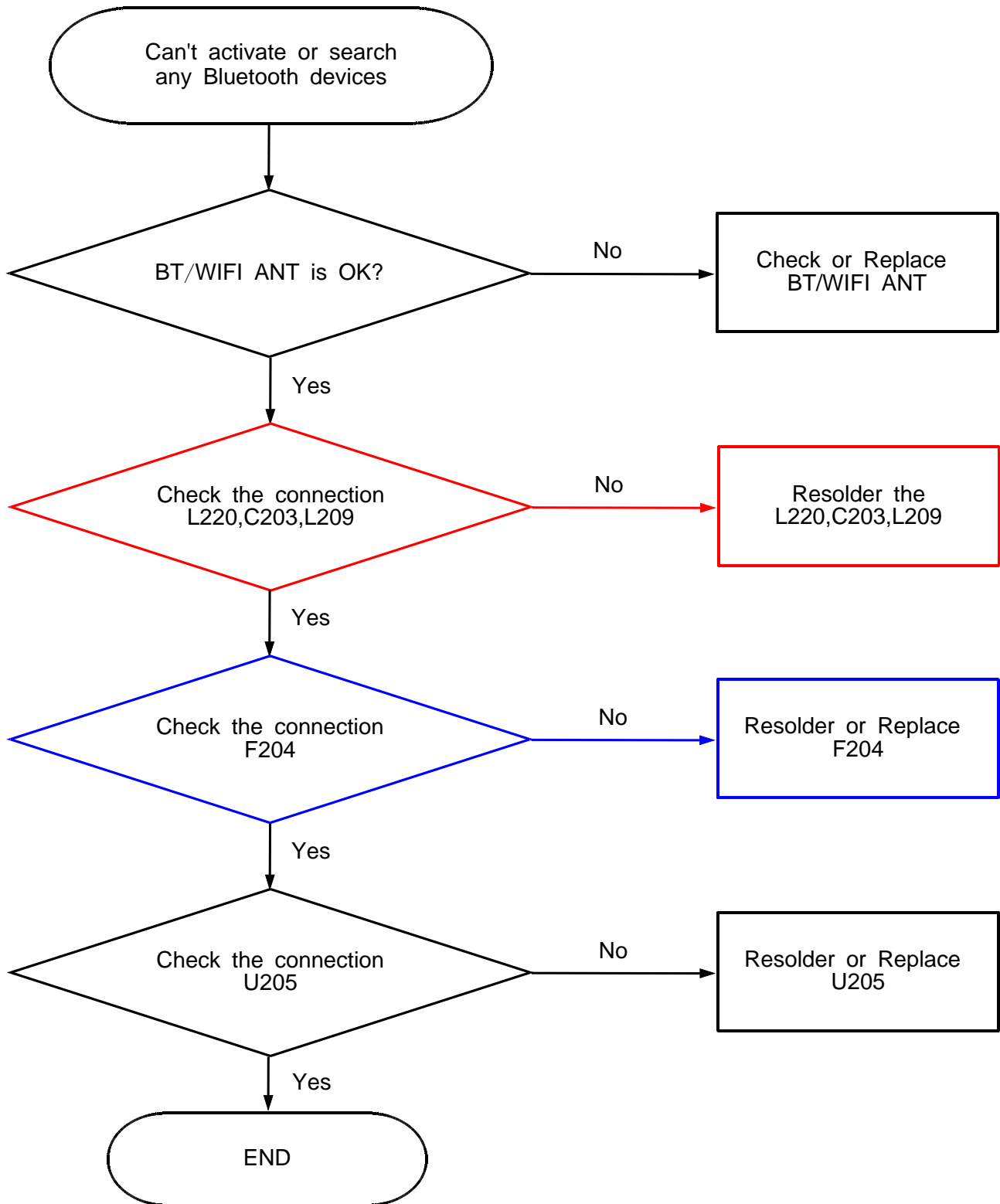


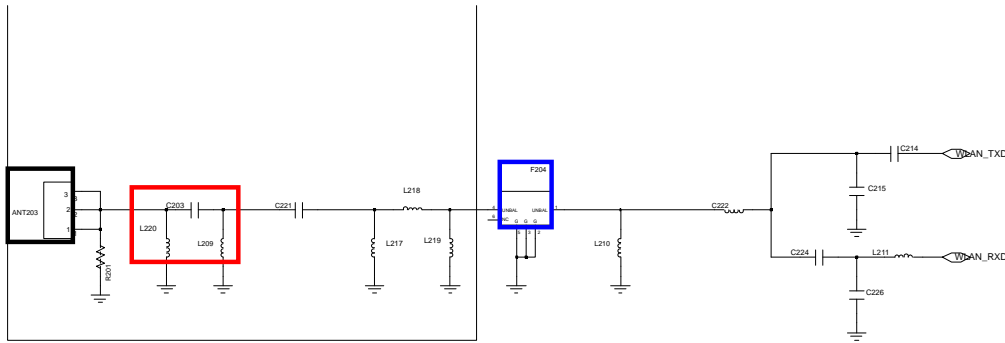
# 3G PA



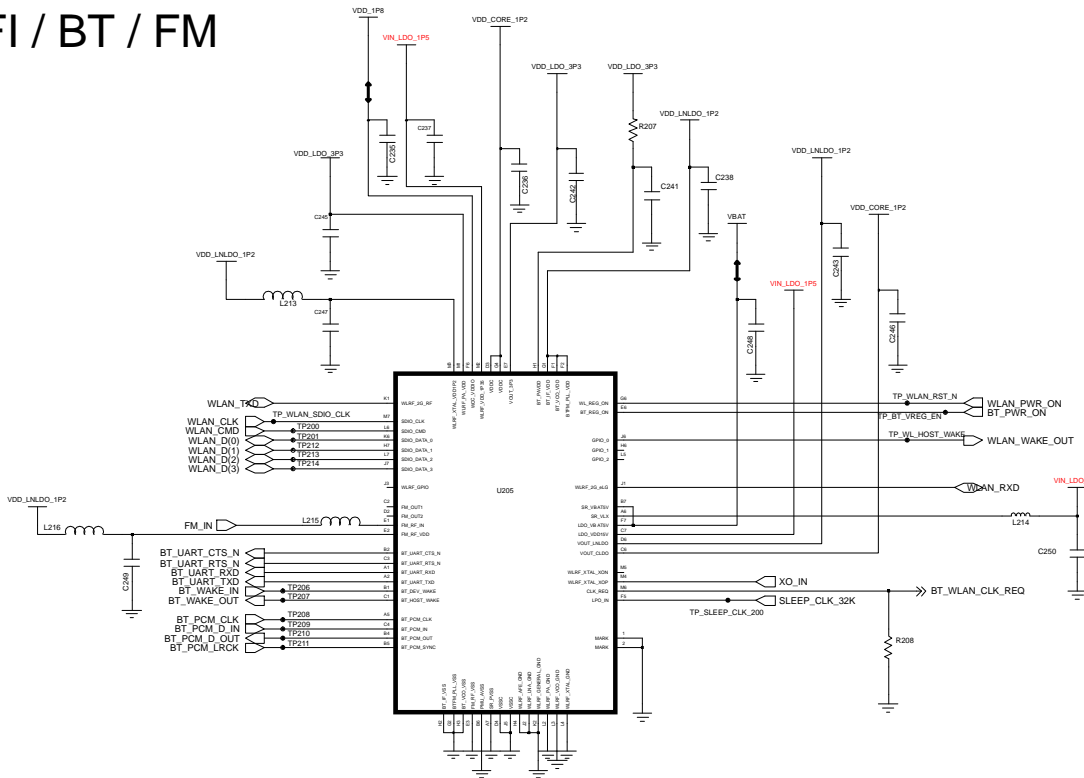


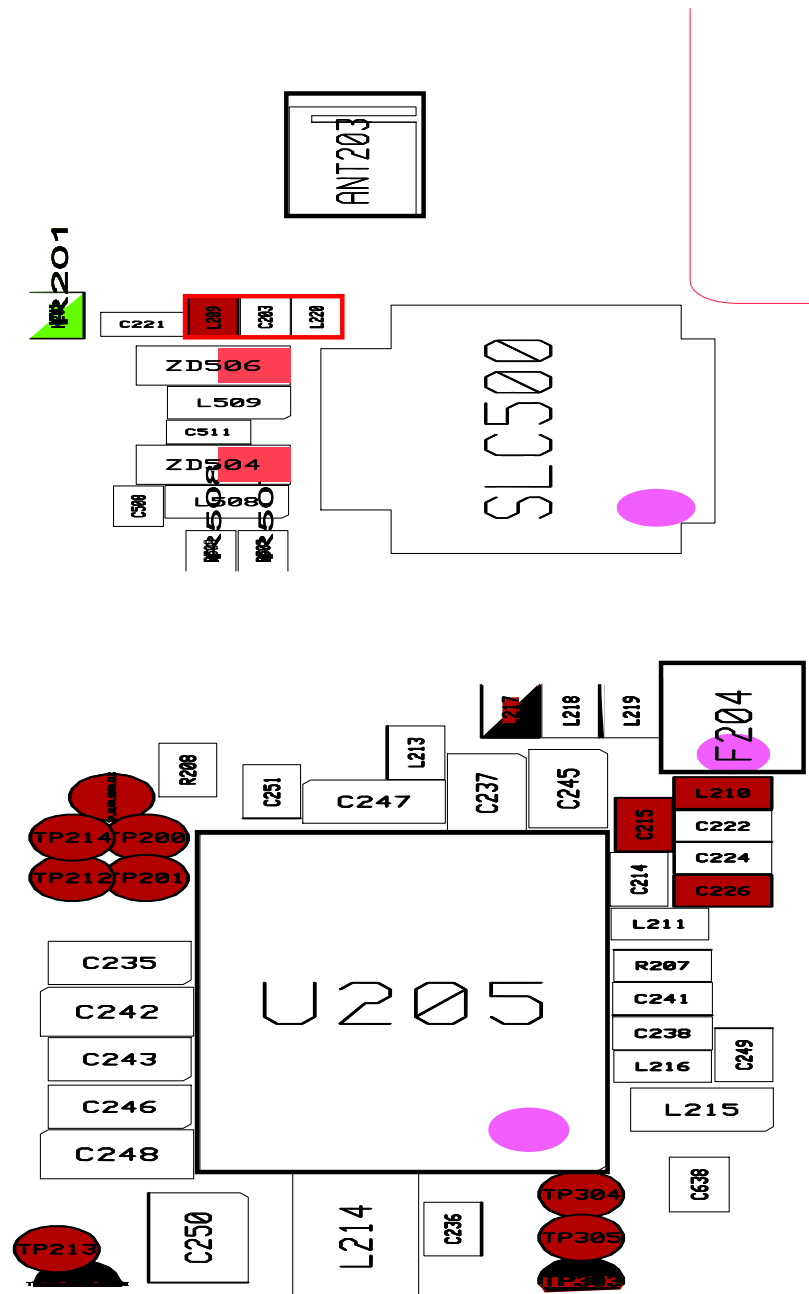
8-3-24. Bluetooth/WIFI



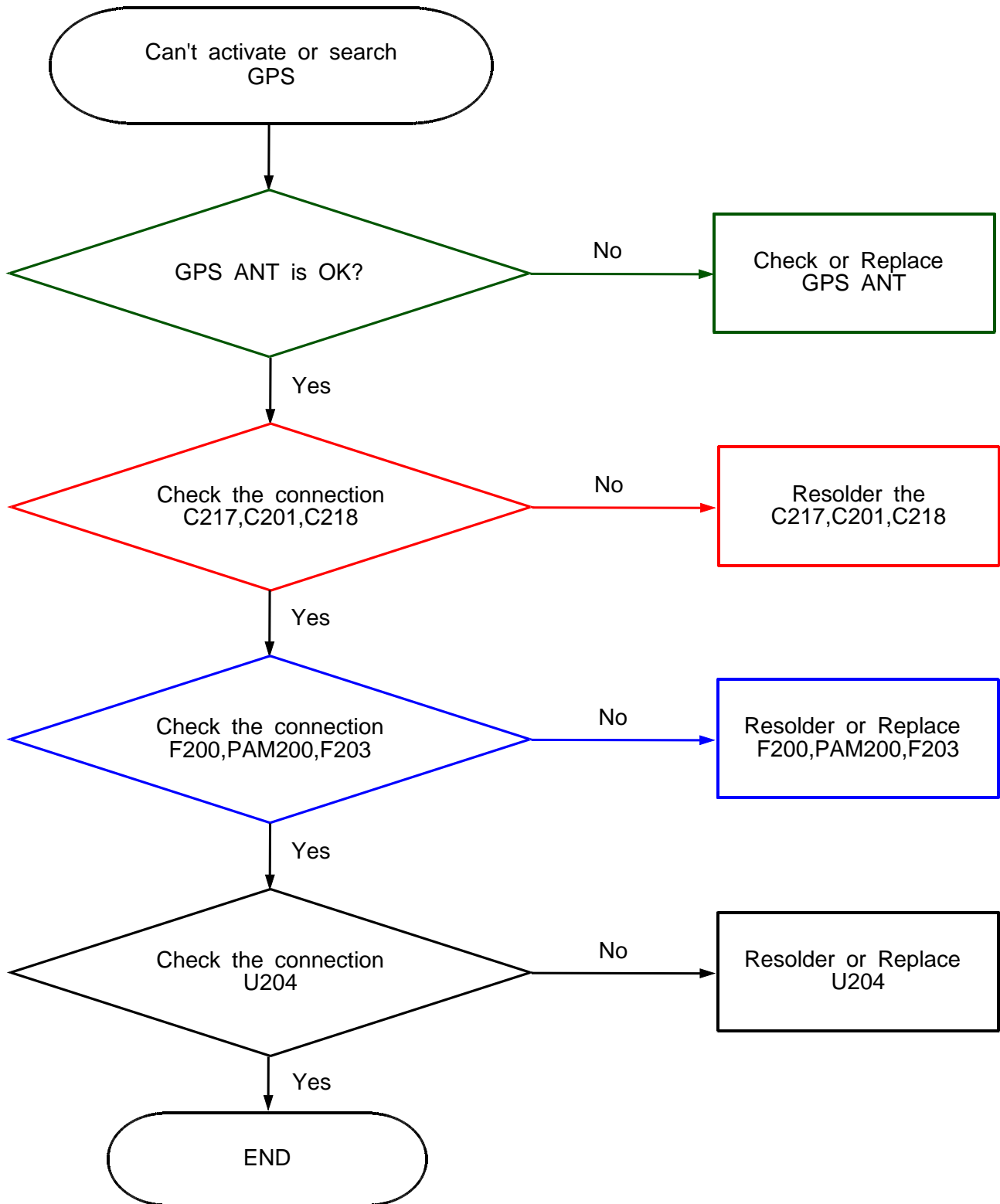


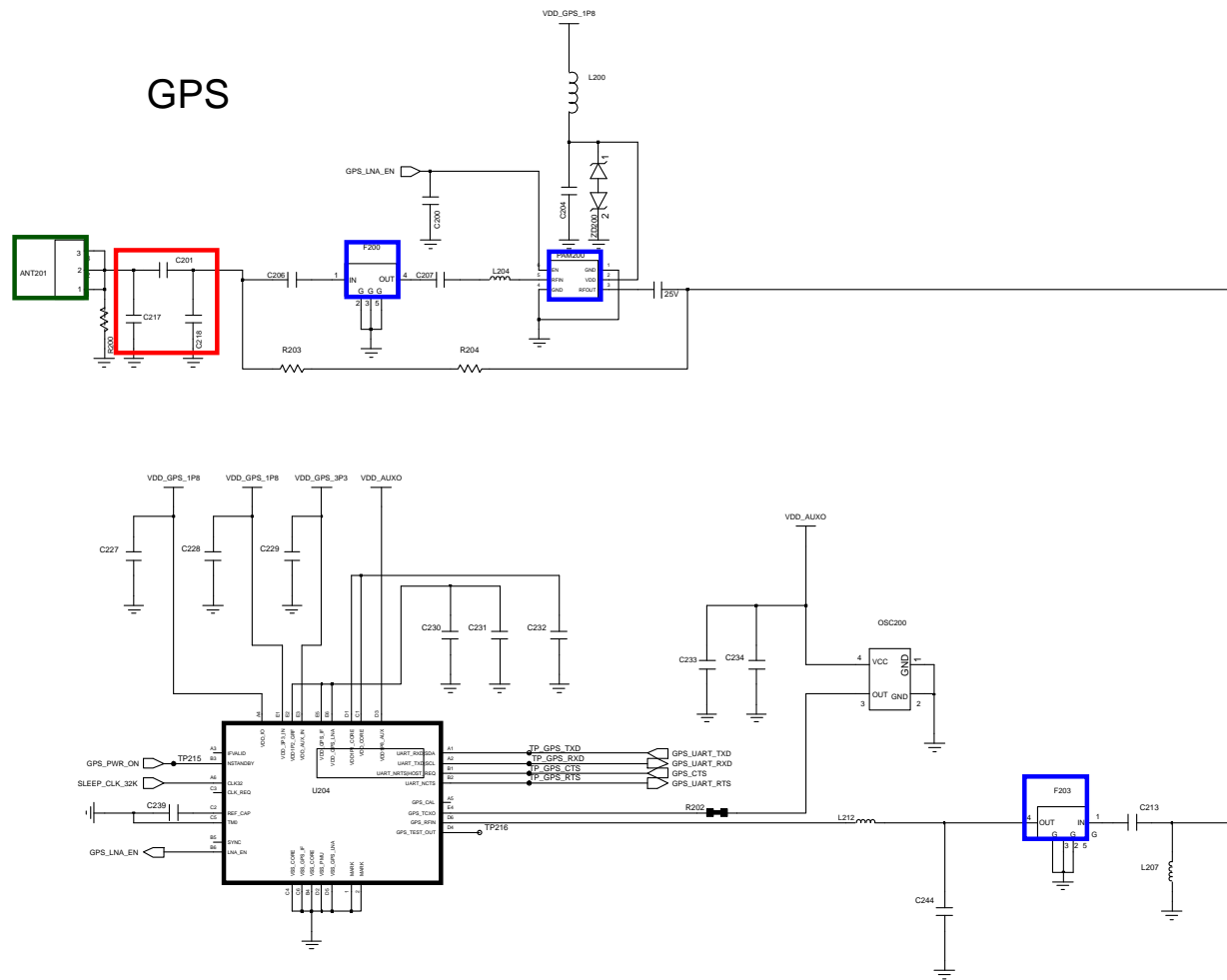
## WIFI / BT / FM

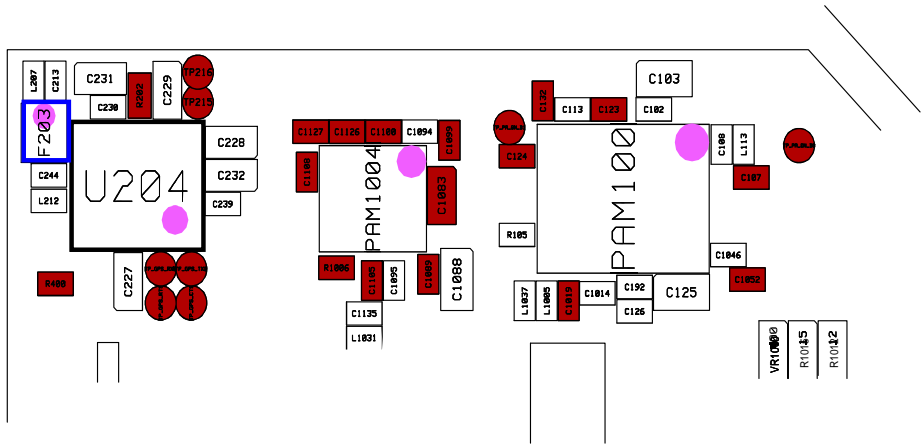
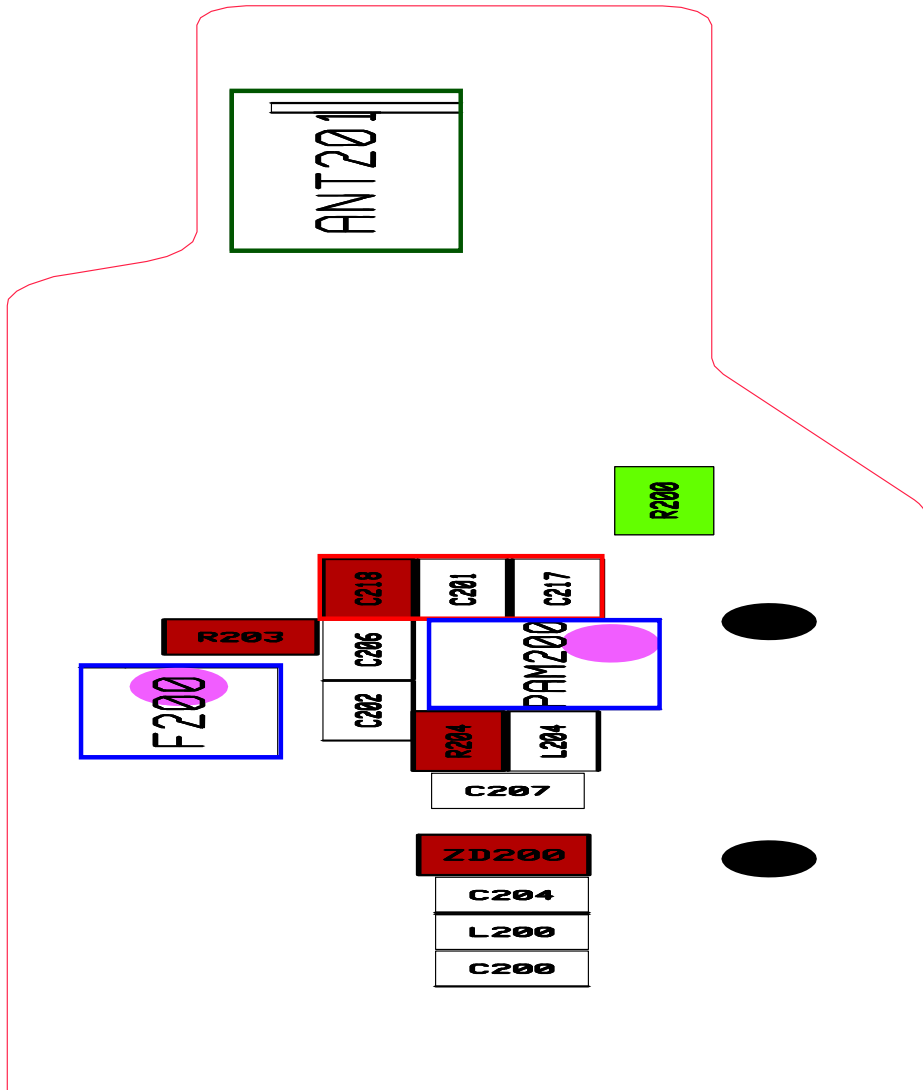




8-3-25. GPS







8-4. Service Schematics

● : NC

UME300 (Memory) ● ○

	1	2	3	4	5	6	7	8	9	10	11	12	13	14
A	○	○	○	○	○	○	○	○	○	○	○	○	○	○
B	○	○	○	○	○	○	○	○	○	○	○	○	○	○
C		○	○	○	○	○	○	○	○	○	○	○	○	
D		○	○	○	○	○	○	○						
E														
F		○	○	○	○			○	○	○	○	○	○	
G		○	●	○	○			○	○	○	○	○	○	
H		○	○	○	○			○	○	○	○	○	○	
J		○	○	○	○			○	○	○	○	○	○	
K		○	○	○	○			○	○	○	○	○	○	
L		○	○	○	○			○	○	○	○	○	○	
M		○	○	○	○			○	○	○	○	○	○	
N		○	○	○	○			○	○	○	○	○	○	
P		○	○	○	○			○	○	○	○	○	○	
R		○	○	○	○			○	○	○	○	○	○	
T		○	○	○	○			○	○	○	○	○	○	
U		○	○	○	○			○	○	○	○	○	○	
V		○	○	○	○			○	○	○	○	○	○	
W		○	○	○	○			○	○	○	○	○	○	
Y		○	○	○	○			○	○	○	○	○	○	
AA	○	○	○	○	○			○	○	○	○	○	○	○
AB	○	○	○	○	○			○	○	○	○	○	○	○

**U403 (MicroUSB Switching IC)**

	1	2	3
A	O	O	O
B	O	O	O
C	O	O	O
D	O	O	O
E	O	O	O
F	O	O	O