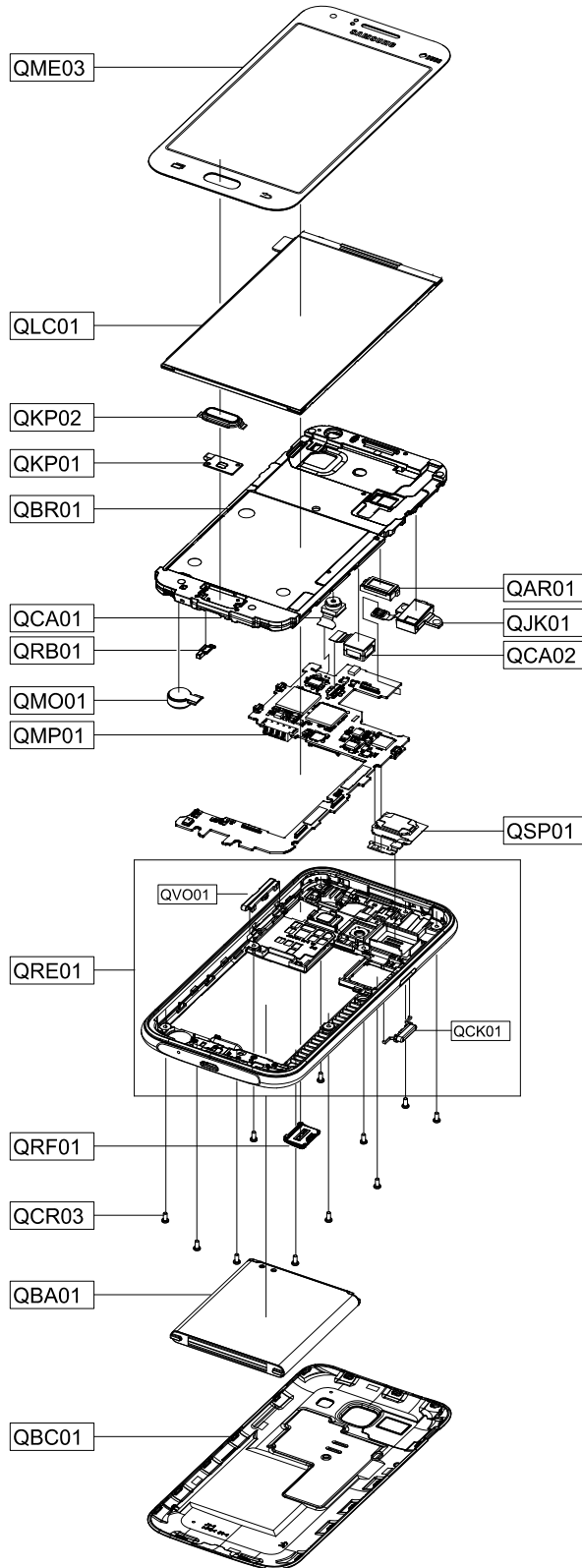


4. Exploded View and Parts List

4-1. Cellular phone Exploded View



4-2. Cellular phone Parts list

Design LOC		Description	SEC CODE
QSP01		SPEAKER	3001-002805
QAR01		AUDIO-RECEIVER	3009-001694
QCR03		SCREW-MACHINE L3	6001-001811
QMO01		MOTOR DC-VIBRATION	GH31-00716A
QBA01		INNER BATTERY PACK-EB-BJ100CBE,1850MAH	GH43-04412A
QKP01		UNIT-HOMEKEY FPCB (J100F)	GH59-14335A
QJK01		UNIT-EARJACK FPCB (SM-J100F)	GH59-14350A
QRF01		COVER-LCD CONN CAP	GH63-10037A
QRB01		RUBBER-HOME KEY HOLE-1	GH67-02376A
QMP01		A/S ASSY-PBA MAIN(CIS)	GH82-09419A
QCA01		ASSY CAMERA-1/5" VT_MODULE(SM-J100F)	GH96-08037A
QME03		TOUCH SCREEN ASSY-DUOS_WHITE	GH96-08064B
QLC01		ASSY LCD-4.30 PLS WVGA SM-J100F ASSY	GH96-08068A
QCA02		ASSY CAMERA-MODULE 5M AF 1/4" SM-J100H	GH96-08165A
QKP02		ASSY KEY-HOME	GH98-36026A
QBR01		ASSY BRACKET-FRONT	GH98-36019A
QRE01		ASSY CASE-REAR	GH98-36088A
	QVO01	KEY-VOLUME	GH64-04607A
	QCK01	KEY-POWER	GH64-04606A
QBC01		ASSY COVER-BATTERY	GH98-36089A

5. MAIN Electrical Parts List

SEC-CODE	Design LOC	Description
0401-001110	D500	Diode
0403-001972	ZD404	Diode
0406-001223	ZD501,ZD502,ZD503	Diode
0406-001223	ZD507	Diode
0406-001413	ZD403,ZD500,ZD506	Diode
0406-001413	ZD508,ZD509,ZD510	Diode
0406-001568	D602,ZD600,ZD601	Diode
0406-001592	D600,D601,ZD602	Diode
0406-001633	ZD402	Diode
0406-001665	D400	Diode
0406-001676	ZD400,ZD401	Diode
0406-001695	ZD514,ZD515	Diode
0505-002388	Q600	TR
0601-003507	LED400	FLASH LED
1001-001928	U502	IC
1009-001066	U504	IC
1108-000584	UME300	Memory
1201-003888	PAM101	RF PAM
1201-003924	PAM100	RF PAM
1203-008149	U600	LCD BLIC
1203-008251	U201	IC
1203-008268	U601	IC
1203-008416	U400	IC
1203-008463	U401	PMIC
1205-005067	U102	IC
1205-005106	U402	IC
1205-005134	U203	IC
1205-005175	U403	IC
1205-005183	UCP300	AP IC
1205-005220	U200	IC
1209-002275	U500	IC
1209-002335	U501	IC
1404-001694	VR100,VR400,VR401	Thermistor
2007-000141	R600	R-CHIP
2007-000162	R426	R-CHIP
2007-000165	R601	R-CHIP
2007-003025	R407,R408	R-CHIP
2007-007107	R111	R-CHIP
2007-007156	R435	R-CHIP
2007-007538	R110	R-CHIP

Main Electrical Parts List

SEC-CODE	Design LOC	Description
2007-007741	R300,R301	R-CHIP
2007-007798	R606	R-CHIP
2007-007861	R403,R404	R-CHIP
2007-007981	R608,R611	R-CHIP
2007-008043	R116	R-CHIP
2007-008045	R423	R-CHIP
2007-008055	R201,R512,R610	R-CHIP
2007-008403	R503	R-CHIP
2007-008419	R413,R414,R415,R416	R-CHIP
2007-008419	R430,R520,R623	R-CHIP
2007-008420	R621	R-CHIP
2007-008478	R102,R410,R411	R-CHIP
2007-008483	R612,R613,R614,R615	R-CHIP
2007-008483	R616	R-CHIP
2007-008516	R302,R303,R318,R326	R-CHIP
2007-008516	R333,R334,R339,R417	R-CHIP
2007-008516	R507,R509,R607	R-CHIP
2007-008531	R218,R433	R-CHIP
2007-008587	R420,R421,R516,R519	R-CHIP
2007-008588	R320,R321,R322,R323	R-CHIP
2007-008588	R324,R325,R328,R329	R-CHIP
2007-008648	R412	R-CHIP
2007-008774	R431,R432	R-CHIP
2007-008788	R312	R-CHIP
2007-008806	R101	R-CHIP
2007-008816	R523	R-CHIP
2007-009111	R200	R-CHIP
2007-009155	R502	R-CHIP
2007-009170	R424,R618	R-CHIP
2007-009212	R505	R-CHIP
2007-009233	R434	R-CHIP
2007-009314	R604	R-CHIP
2007-009398	R605	R-CHIP
2007-009801	R117,R118	R-CHIP
2007-009838	R427	R-CHIP
2007-009920	R319,R342	R-CHIP
2007-009969	R506	R-CHIP
2007-010202	R405,R406	R-CHIP
2007-010233	R315,R316,R330	R-CHIP
2007-010848	R429	R-CHIP

SEC-CODE	Design LOC	Description
2007-011043	R331	R-CHIP
2007-011648	R409	R-CHIP
2203-000438	C508	C-CERAMIC,CHIP
2203-000627	C613	C-CERAMIC,CHIP
2203-000854	C633	C-CERAMIC,CHIP
2203-001239	C483	C-CERAMIC,CHIP
2203-002709	C422	C-CERAMIC,CHIP
2203-005249	C600	C-CERAMIC,CHIP
2203-005288	C111,C112	C-CERAMIC,CHIP
2203-005682	C249,C514,C527,C531	C-CERAMIC,CHIP
2203-005682	C534	C-CERAMIC,CHIP
2203-005683	C402,C533	C-CERAMIC,CHIP
2203-005725	C107,C115,C116,C117	C-CERAMIC,CHIP
2203-005725	C146,C234	C-CERAMIC,CHIP
2203-005729	C526,C532,C535,C536	C-CERAMIC,CHIP
2203-005732	C477,C525,C619	C-CERAMIC,CHIP
2203-005736	C109,C121,C171,C213	C-CERAMIC,CHIP
2203-005736	L216	C-CERAMIC,CHIP
2203-005789	C635	C-CERAMIC,CHIP
2203-005792	C250	C-CERAMIC,CHIP
2203-006048	C601,C632	C-CERAMIC,CHIP
2203-006120	C222	C-CERAMIC,CHIP
2203-006121	C133	C-CERAMIC,CHIP
2203-006137	C447	C-CERAMIC,CHIP
2203-006187	C170,C172	C-CERAMIC,CHIP
2203-006194	C315,C339,C354	C-CERAMIC,CHIP
2203-006305	C150,C152,C154,C160	C-CERAMIC,CHIP
2203-006305	C202,C211,C400,L202	C-CERAMIC,CHIP
2203-006305	L207	C-CERAMIC,CHIP
2203-006324	C502	C-CERAMIC,CHIP
2203-006379	C467,C468	C-CERAMIC,CHIP
2203-006399	C224,C225,C228,C231	C-CERAMIC,CHIP
2203-006399	C232,C401,C426,C431	C-CERAMIC,CHIP
2203-006399	C439,C441,C519,C604	C-CERAMIC,CHIP
2203-006399	C630	C-CERAMIC,CHIP
2203-006400	C105,C164,C167	C-CERAMIC,CHIP
2203-006423	C305,C306,C307,C321	C-CERAMIC,CHIP
2203-006423	C322,C501,C507,C516	C-CERAMIC,CHIP
2203-006423	C517,C518,C521,C529	C-CERAMIC,CHIP
2203-006556	C100,C118,C126,C127	C-CERAMIC,CHIP

Main Electrical Parts List

SEC-CODE	Design LOC	Description
2203-006556	C132,C135,C136,C230	C-CERAMIC,CHIP
2203-006556	C454,C455,C528	C-CERAMIC,CHIP
2203-006562	C476,C603,C620	C-CERAMIC,CHIP
2203-006665	C125,C163,C165,C183	C-CERAMIC,CHIP
2203-006668	C453	C-CERAMIC,CHIP
2203-006681	C304,C319	C-CERAMIC,CHIP
2203-006707	C131	C-CERAMIC,CHIP
2203-006815	C523,C524	C-CERAMIC,CHIP
2203-006838	C437	C-CERAMIC,CHIP
2203-006839	C120,C420,C434,C537	C-CERAMIC,CHIP
2203-006839	C605	C-CERAMIC,CHIP
2203-006978	C482	C-CERAMIC,CHIP
2203-006979	C247	C-CERAMIC,CHIP
2203-007165	C221,C425,C443,C445	C-CERAMIC,CHIP
2203-007210	C334,C336	C-CERAMIC,CHIP
2203-007240	C311,C316,C460,C463	C-CERAMIC,CHIP
2203-007240	C465,C466,C515	C-CERAMIC,CHIP
2203-007270	C423,C461,C462,C464	C-CERAMIC,CHIP
2203-007271	C233,C303,C308,C317	C-CERAMIC,CHIP
2203-007271	C480,C500,C602	C-CERAMIC,CHIP
2203-007279	C312,C318,C478	C-CERAMIC,CHIP
2203-007317	C327,C335,C337	C-CERAMIC,CHIP
2203-007342	C505	C-CERAMIC,CHIP
2203-007369	C326,C618	C-CERAMIC,CHIP
2203-007391	C328,C329	C-CERAMIC,CHIP
2203-007393	C615	C-CERAMIC,CHIP
2203-007449	C151,C153,C155,C159	C-CERAMIC,CHIP
2203-007449	C323,C355,C356,C365	C-CERAMIC,CHIP
2203-007449	C367,C368,C369,C373	C-CERAMIC,CHIP
2203-007449	C428,C456,C457,C458	C-CERAMIC,CHIP
2203-007449	C459,C473,C607,C609	C-CERAMIC,CHIP
2203-007449	C610	C-CERAMIC,CHIP
2203-007474	C320	C-CERAMIC,CHIP
2203-007687	C611	C-CERAMIC,CHIP
2203-007775	C102,C104,C205,C210	C-CERAMIC,CHIP
2203-007775	C403	C-CERAMIC,CHIP
2203-007795	C122,C406,C413,C419	C-CERAMIC,CHIP
2203-007795	C432,C444,C452,C469	C-CERAMIC,CHIP
2203-007795	C612,C616	C-CERAMIC,CHIP
2203-007796	C103,C201,C203,C204	C-CERAMIC,CHIP

SEC-CODE	Design LOC	Description
2203-007796	C206,C208,C218,C219	C-CERAMIC,CHIP
2203-007796	C226,C227,C404,C407	C-CERAMIC,CHIP
2203-007796	C408,C409,C411,C414	C-CERAMIC,CHIP
2203-007796	C415,C446,C451,C506	C-CERAMIC,CHIP
2203-008094	C520	C-CERAMIC,CHIP
2203-008095	C200	C-CERAMIC,CHIP
2203-008097	C220,C309,C313,C324	C-CERAMIC,CHIP
2203-008097	C325,C331,C332,C352	C-CERAMIC,CHIP
2203-008097	C353,C357,C358,C359	C-CERAMIC,CHIP
2203-008097	C360,C361,C362,C363	C-CERAMIC,CHIP
2203-008097	C364,C448,C503,C504	C-CERAMIC,CHIP
2203-008097	C622	C-CERAMIC,CHIP
2203-008242	C608	C-CERAMIC,CHIP
2203-008243	C366	C-CERAMIC,CHIP
2203-008470	C207,C209	C-CERAMIC,CHIP
2203-008654	C472,C475	C-CERAMIC,CHIP
2203-008790	TA400	C-CERAMIC,CHIP
2203-008876	C157,C310,C330,C333	C-CERAMIC,CHIP
2203-008876	C370,C405,C410,C412	C-CERAMIC,CHIP
2203-008876	C416,C417,C418,C427	C-CERAMIC,CHIP
2203-008876	C429,C430,C433,C436	C-CERAMIC,CHIP
2203-008876	C440,C442,C474	C-CERAMIC,CHIP
2203-008886	C156,C158	C-CERAMIC,CHIP
2203-009048	C421,C424,C435,C438	C-CERAMIC,CHIP
2703-001231	L408	INDUCTOR-SMD
2703-002199	L500,L516	INDUCTOR-SMD
2703-002267	C110	INDUCTOR-SMD
2703-002367	C184	INDUCTOR-SMD
2703-002959	L100,L515	INDUCTOR-SMD
2703-002961	L205	INDUCTOR-SMD
2703-003004	L214	INDUCTOR-SMD
2703-003293	L517	INDUCTOR-SMD
2703-003686	L604	INDUCTOR-SMD
2703-003878	L503	INDUCTOR-SMD
2703-004013	L126	INDUCTOR-SMD
2703-004018	L204	INDUCTOR-SMD
2703-004025	L402,L405,L406	INDUCTOR-SMD
2703-004032	L116	INDUCTOR-SMD
2703-004034	C145,C147,C148,C149	INDUCTOR-SMD
2703-004034	L125,L203	INDUCTOR-SMD

Main Electrical Parts List

SEC-CODE	Design LOC	Description
2703-004035	L118,L129	INDUCTOR-SMD
2703-004036	C169	INDUCTOR-SMD
2703-004037	L127	INDUCTOR-SMD
2703-004038	C139	INDUCTOR-SMD
2703-004295	C119	INDUCTOR-SMD
2703-004328	C173,C214,L119,L606	INDUCTOR-SMD
2703-004363	L124	INDUCTOR-SMD
2703-004366	L121,L123,L213	INDUCTOR-SMD
2703-004371	C128	INDUCTOR-SMD
2703-004555	L401,L403,L404	INDUCTOR-SMD
2703-004599	L400	INDUCTOR-SMD
2703-004914	L210	INDUCTOR-SMD
2703-004976	L109,L115	INDUCTOR-SMD
2703-005007	L602	INDUCTOR-SMD
2801-004820	OSC400	CRYSTAL-UNIT
2801-005144	OSC100	CRYSTAL-UNIT
2805-001113	OSC200	CRYSTAL-UNIT
2904-002111	F101	FILTER-SWA
2904-002132	F201	FILTER-SWA
2904-002247	F102	FILTER-SWA
2909-001307	F200	FILTER-SWA
2910-000314	F103	FILTER-SWA
2910-000319	F104	FILTER-SWA
3003-001208	MIC500	Main MIC
3301-001438	L208	CORE-FERRITE BEAD
3301-001787	L502,L504	CORE-FERRITE BEAD
3301-001812	L518,L519,L605	CORE-FERRITE BEAD
3301-001876	L501,L505,L513,L600	CORE-FERRITE BEAD
3301-001895	L201,L209	CORE-FERRITE BEAD
3301-001917	L507,L508,L509,L510	CORE-FERRITE BEAD
3301-001917	L511,L512,L514	CORE-FERRITE BEAD
3301-002063	L601	CORE-FERRITE BEAD
3301-002078	L506	CORE-FERRITE BEAD
3301-002228	L101	CORE-FERRITE BEAD
3301-002254	L407	CORE-FERRITE BEAD
3404-001547	TAC500,TAC501,TAC502	Tact Switch
3705-001708	RFS100	RF connector
3708-003254	HDC601,SLC600	Zip type connector
3709-001799	SIM600	SIM connector
3709-001840	SIM601	SIM connector

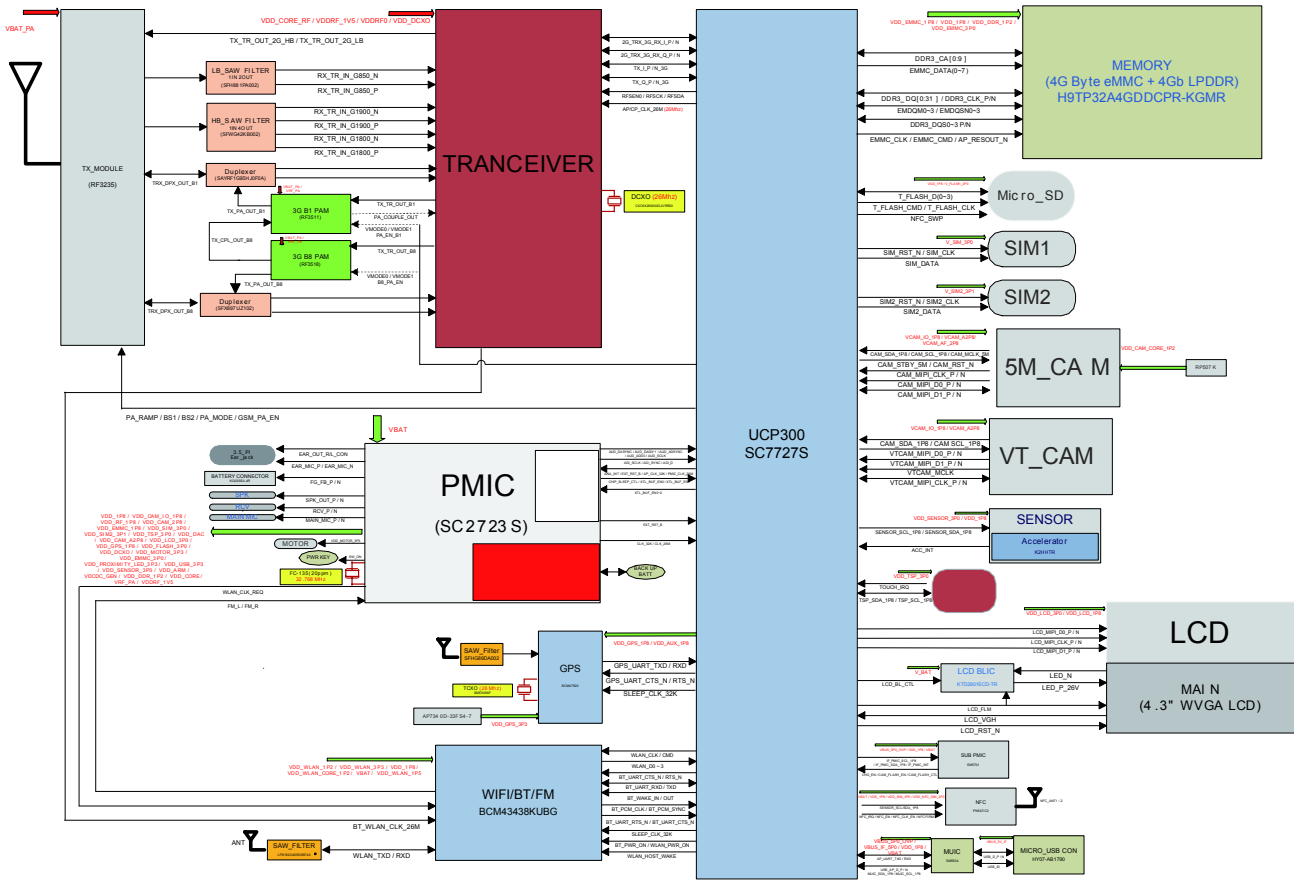
SEC-CODE	Design LOC	Description
3711-007478	HDC500	Connector
3711-008737	BTC400	Battery connector
3711-008931	HDC600	Connector
3712-001490	ANT100,ANT101,ANT200	ANT contact
3712-001490	ANT202,ANT500,ANT501	ANT contact
3712-001490	SPK500,SPK501	SPK contact
3712-001516	ANT502,ANT503	Home key contact
3722-003954	IFC400	IF Connector
GH61-04949A	ANT102,ANT103,ANT104	Contact
GH61-04949A	ANT105	Contact
GH62-00027A	ANT106	Contact
GH63-09965A	SC103	Shield can_GPS
GH63-10054A	SUS100	SUS PLATE
GH63-10055A	SUS101	SUS PLATE
GH80-03321A	R112,R119,R617	Solder cream bridge
GH98-36020A	SC100	Shield can_PMIC
GH98-36021A	SC102	Shield can_AP
GH98-36022A	SC101	Shield can_RF

Please consult the GSPN website (Samsung Portal) for the most recent version of the product's part list.

8. Level 3 Repair

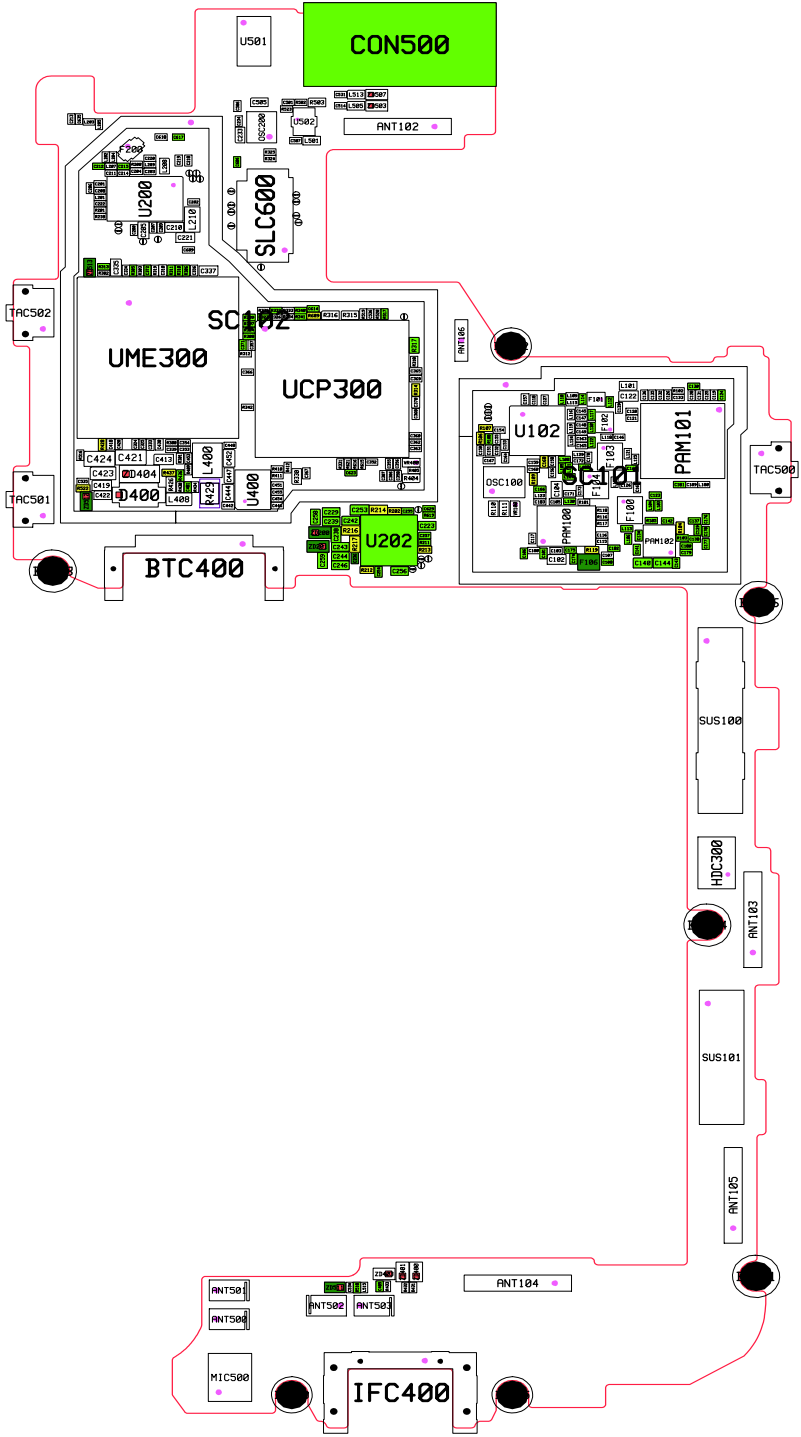
8-1. Block Diagram

SM-J100H(J1 3G) BLOCK DIAGRAM

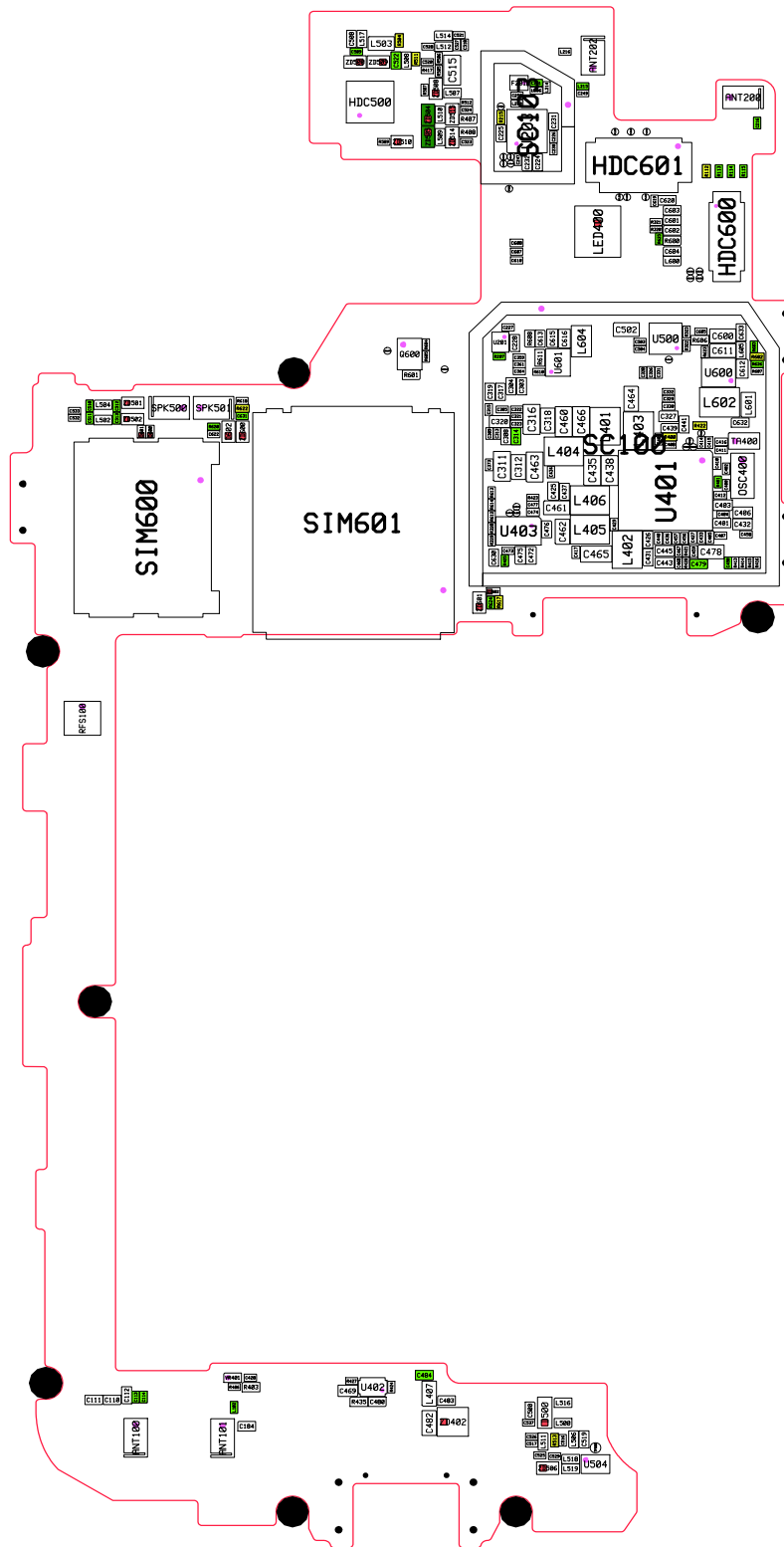


8-2. PCB Diagrams

8-2-1. Top

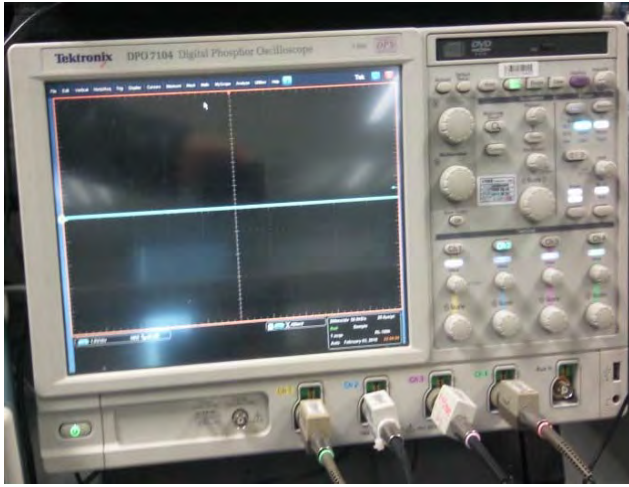


8-2-2. Bottom



8-3. Flow Chart of Troubleshooting

Equipments



↑ Oscilloscope



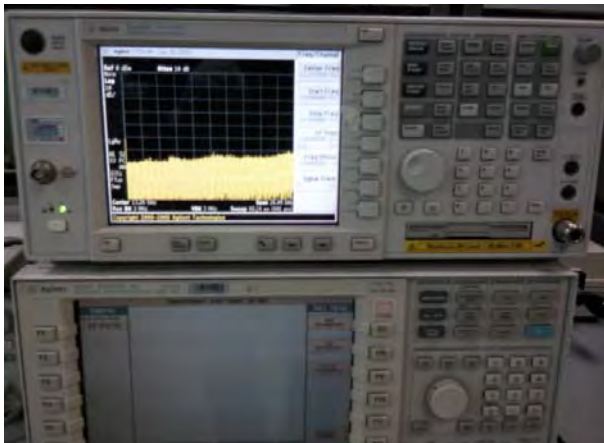
↑ Digital Multimeter



↑ Power Supply



↑ + driver, ESD Safe Tweezer

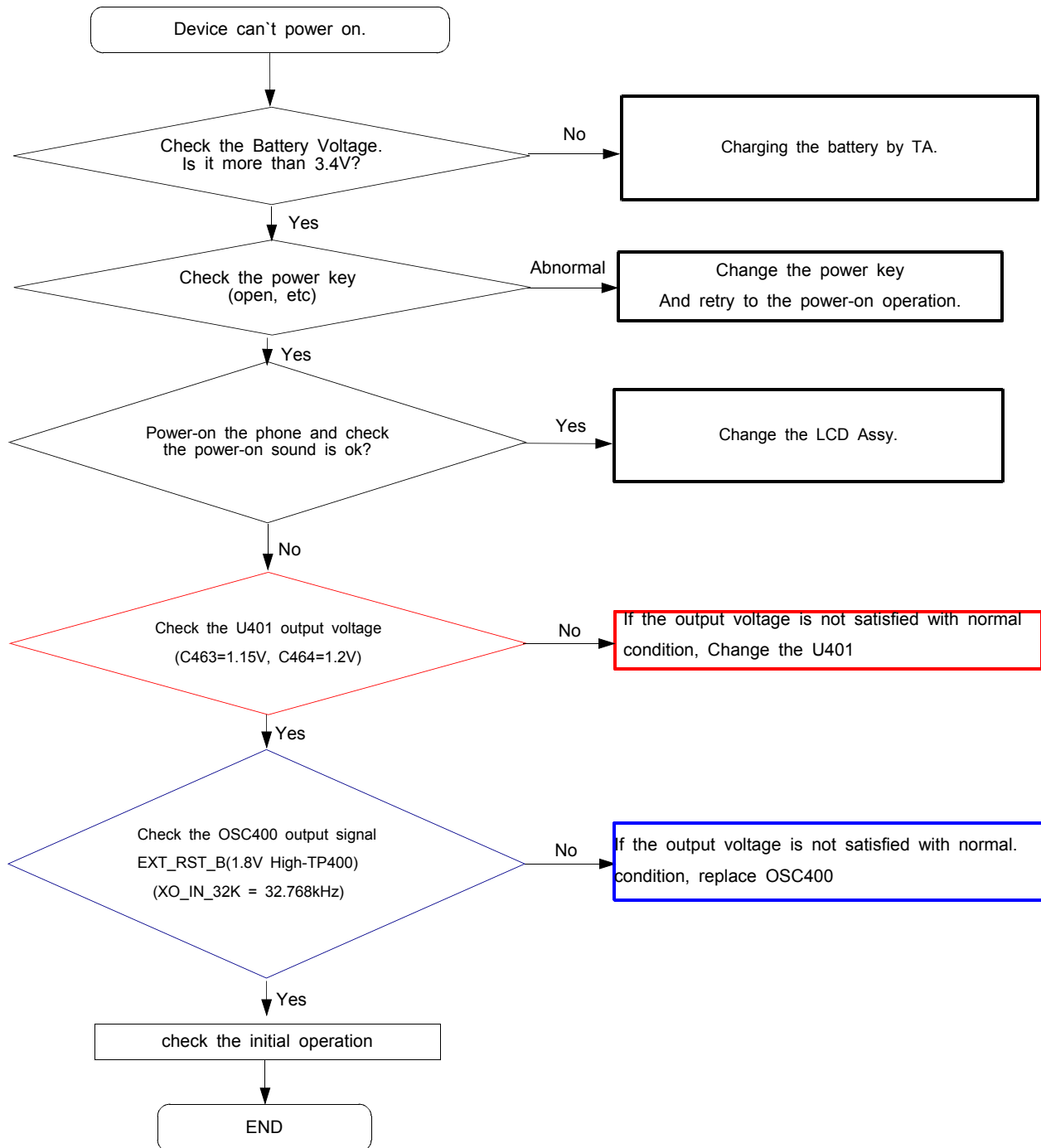


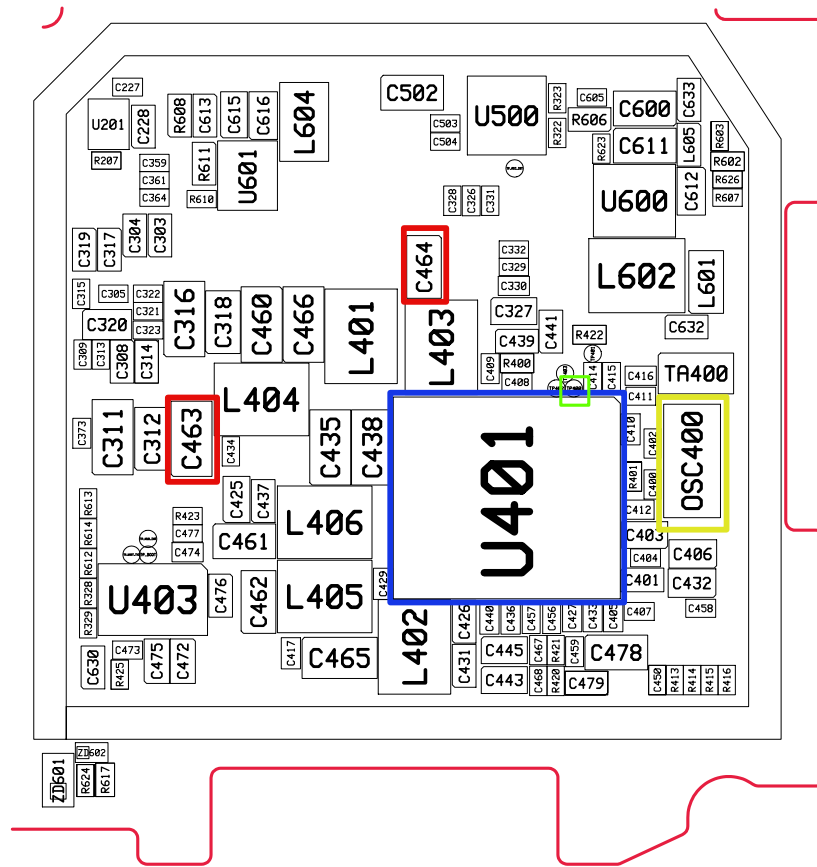
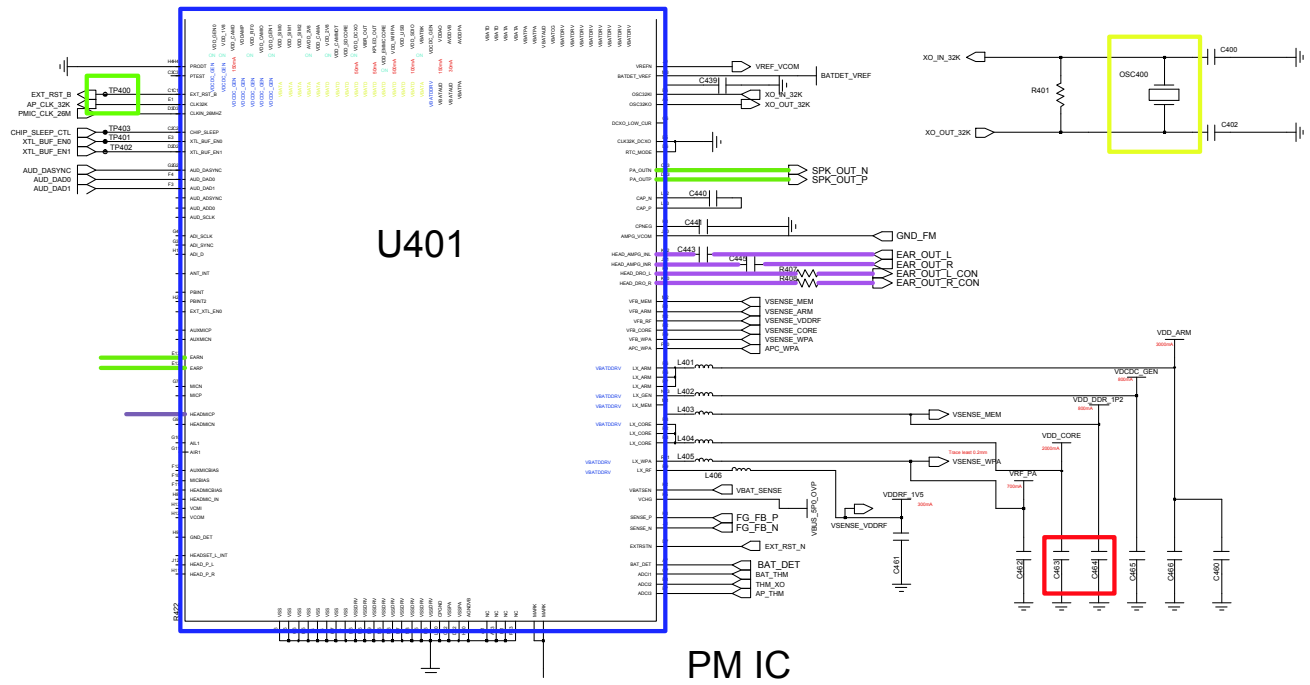
↑ 8960 & Spectrum Analyzer



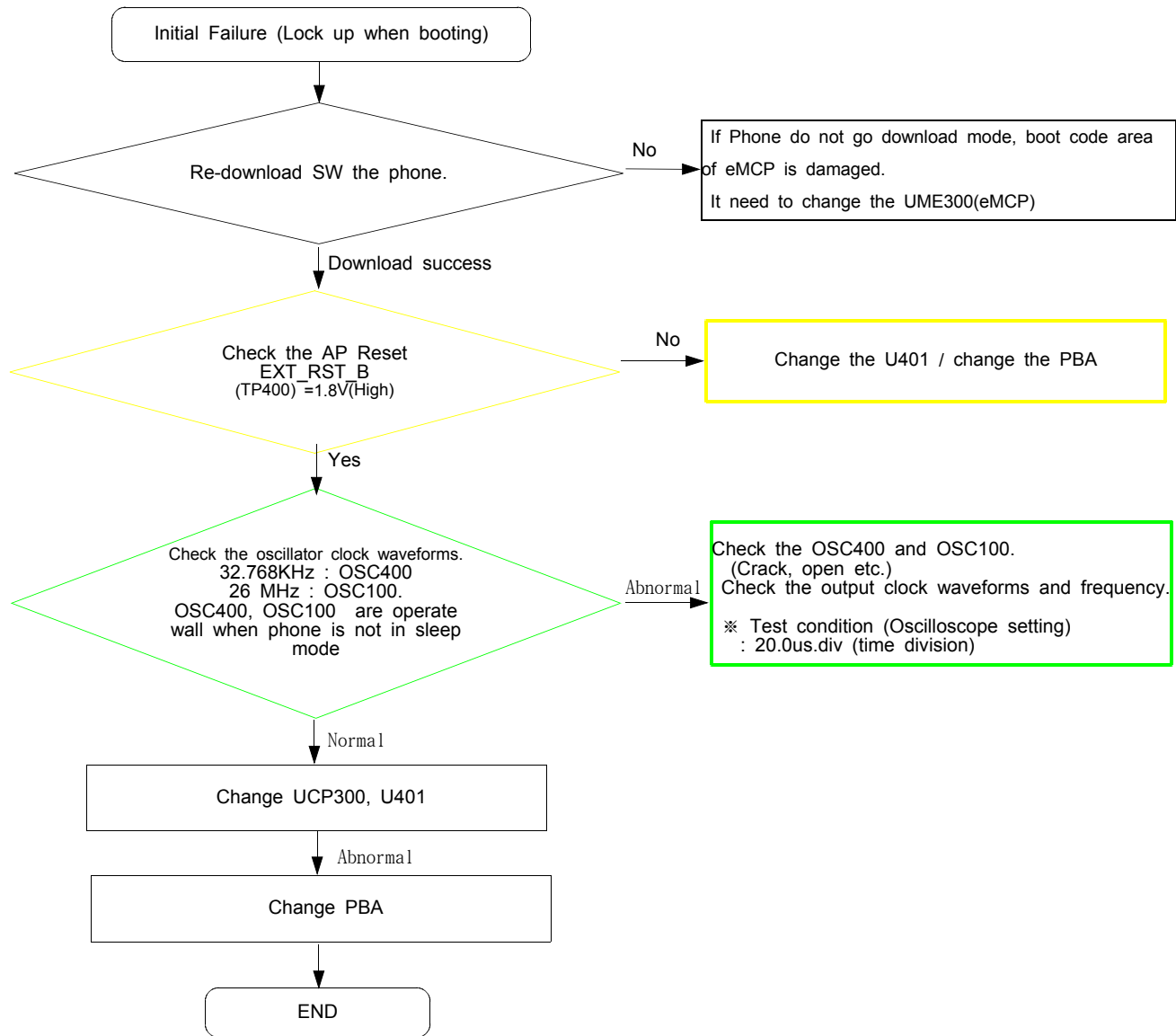
↑ Soldering iron

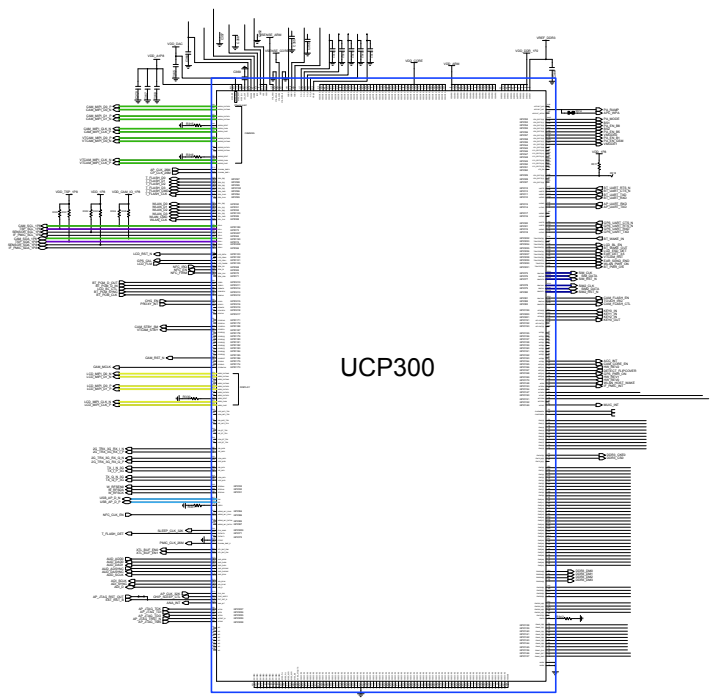
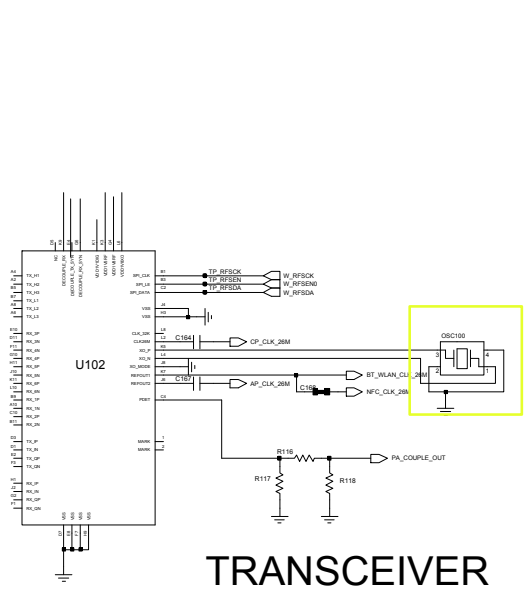
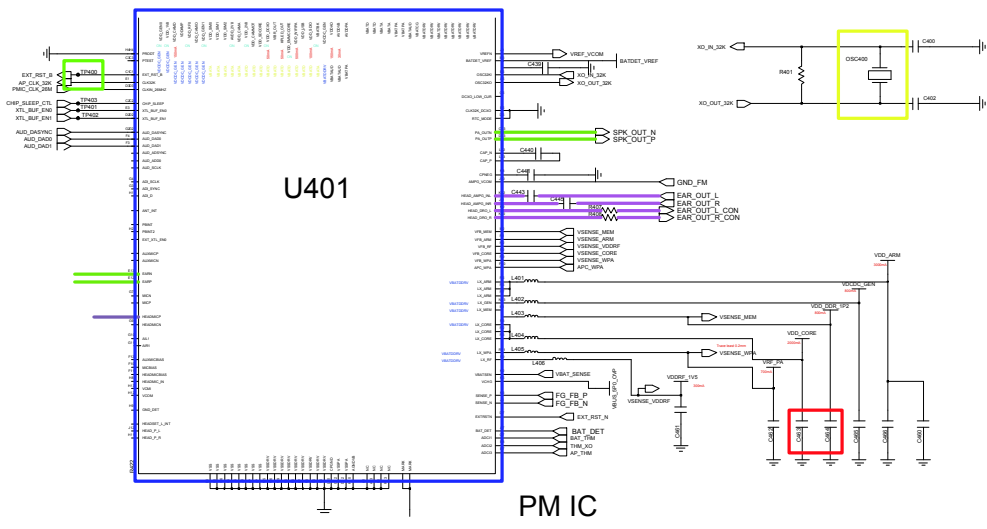
8-3-1. Power On

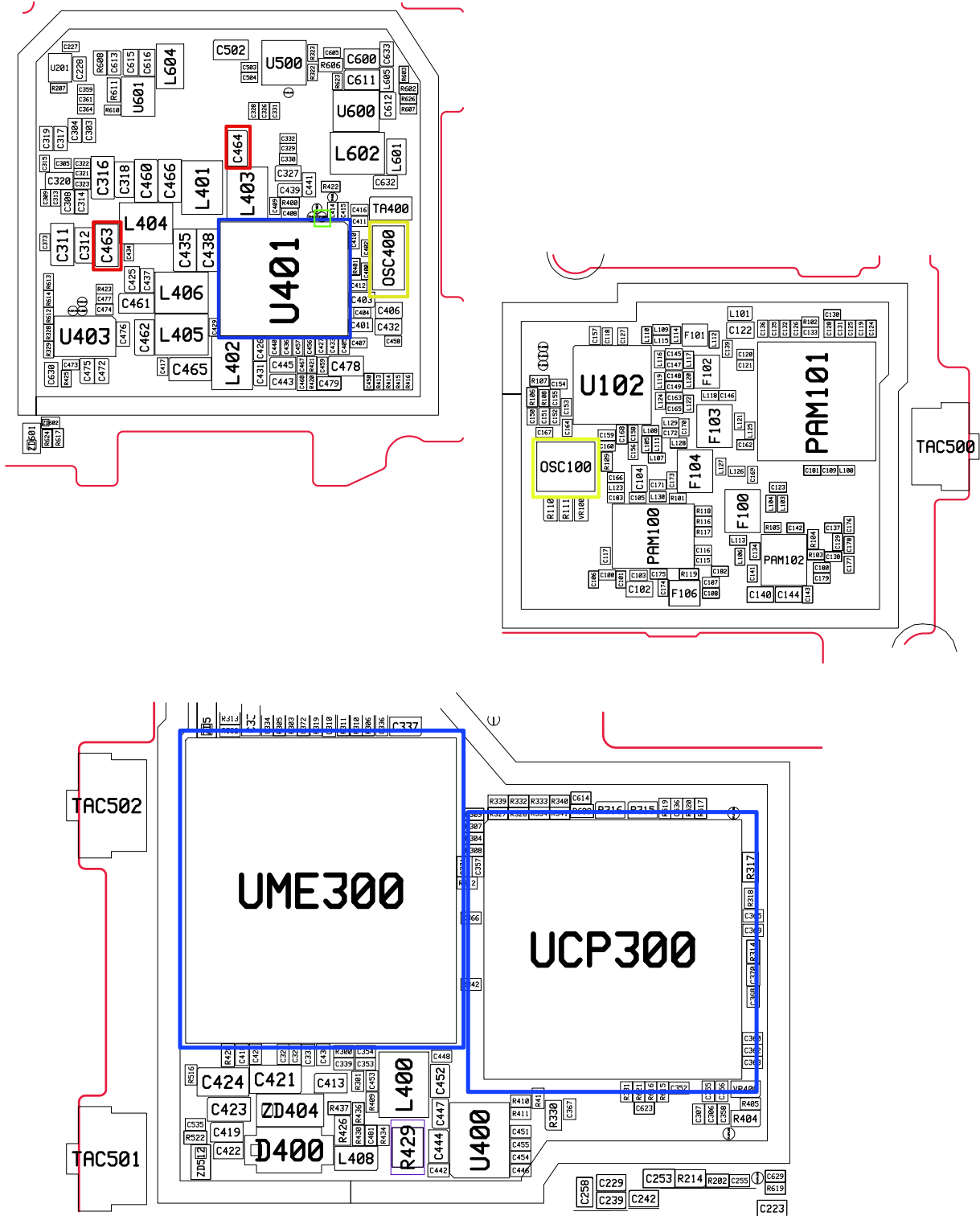




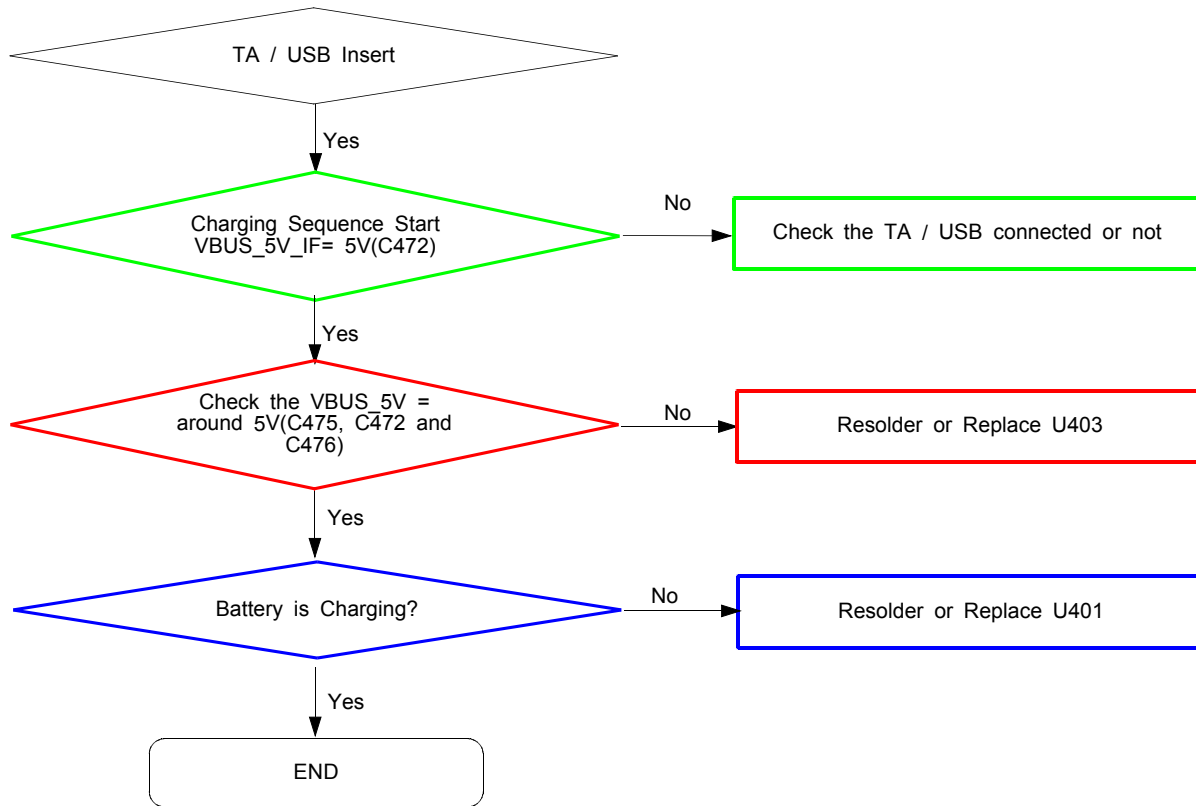
8-3-2. Initial (Lock up)

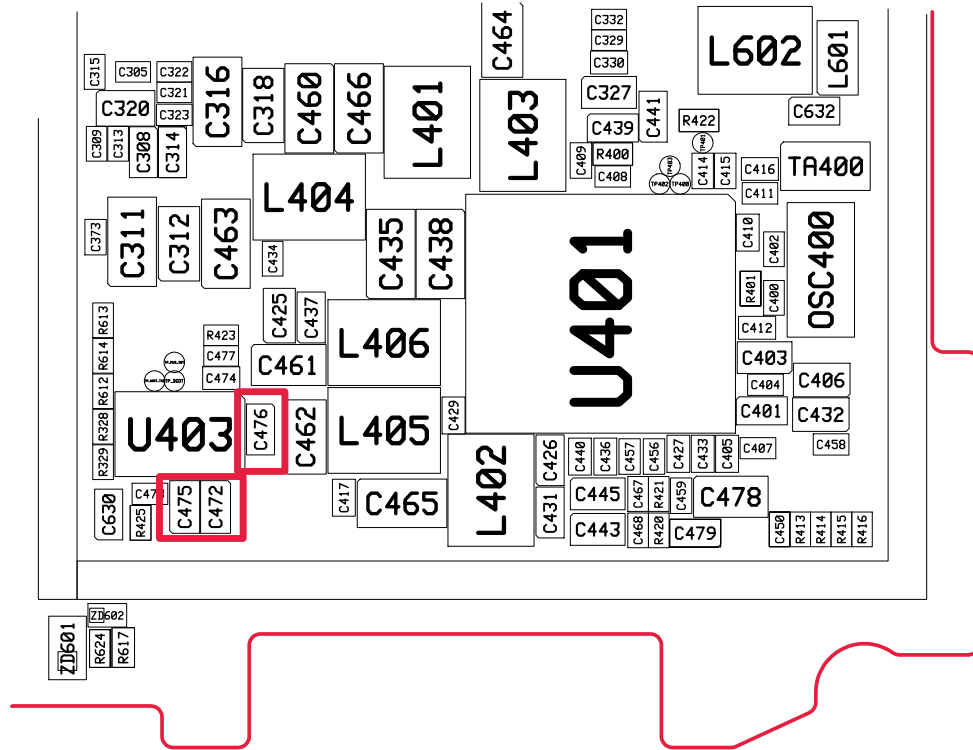
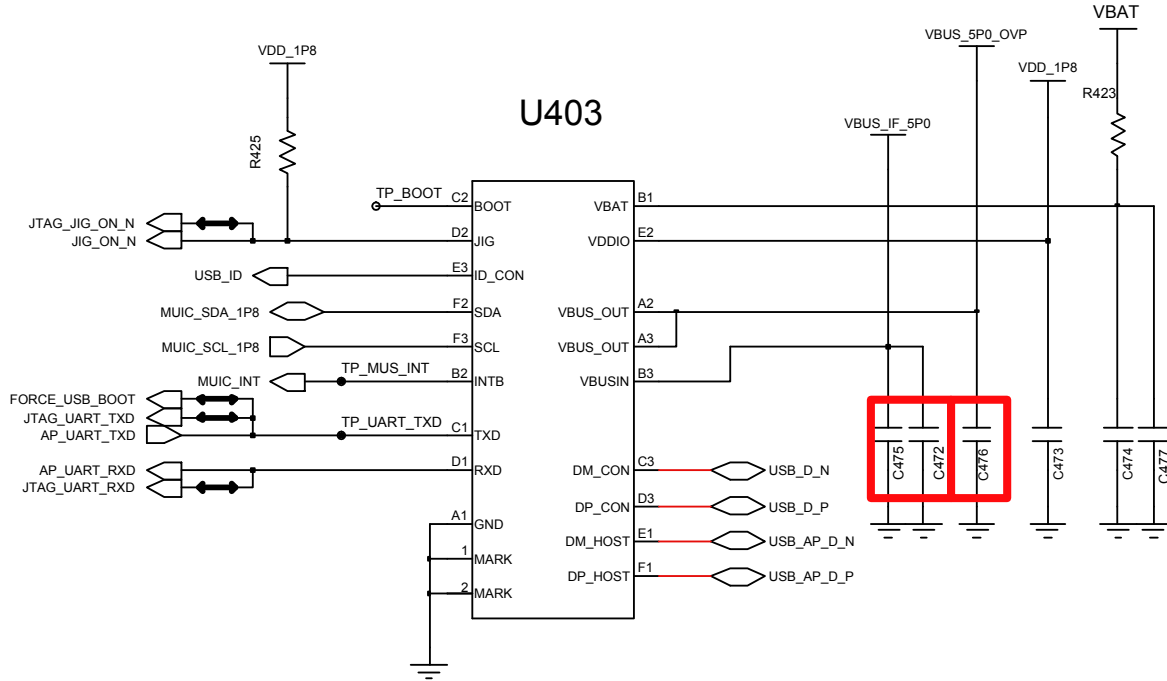




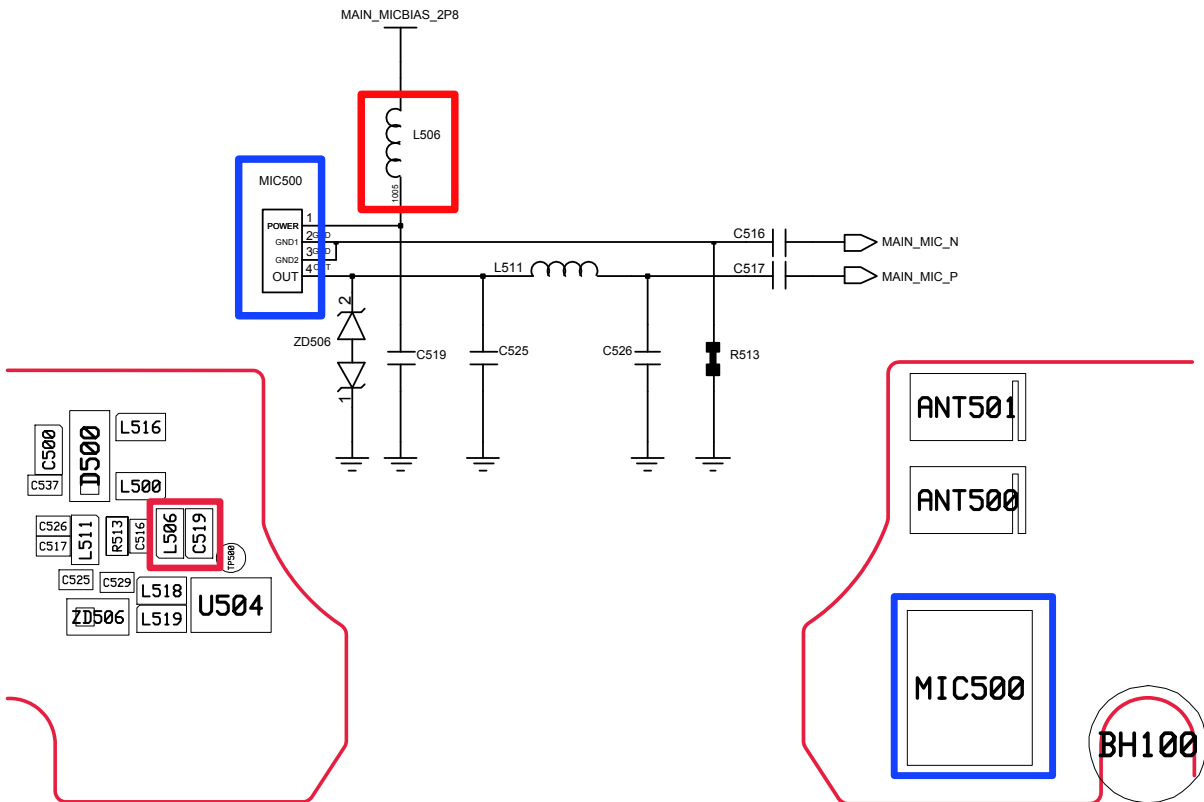
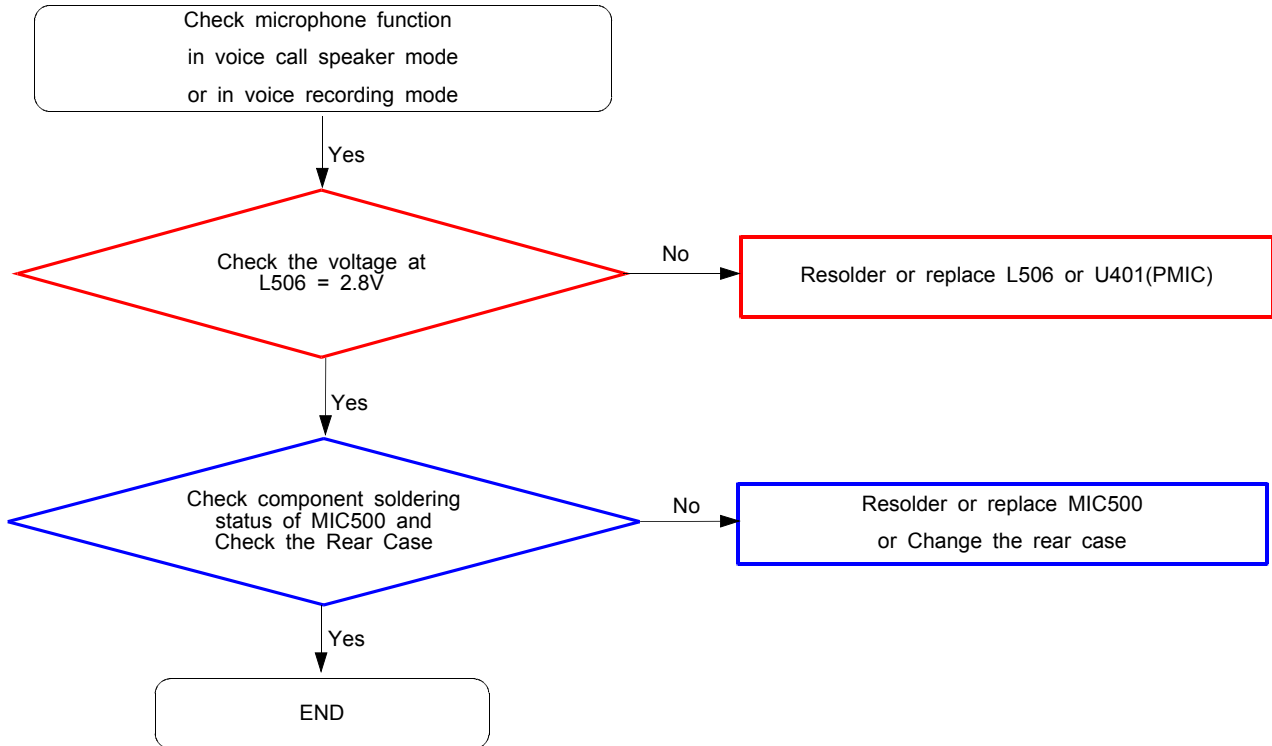


8-3-3. Charging Part

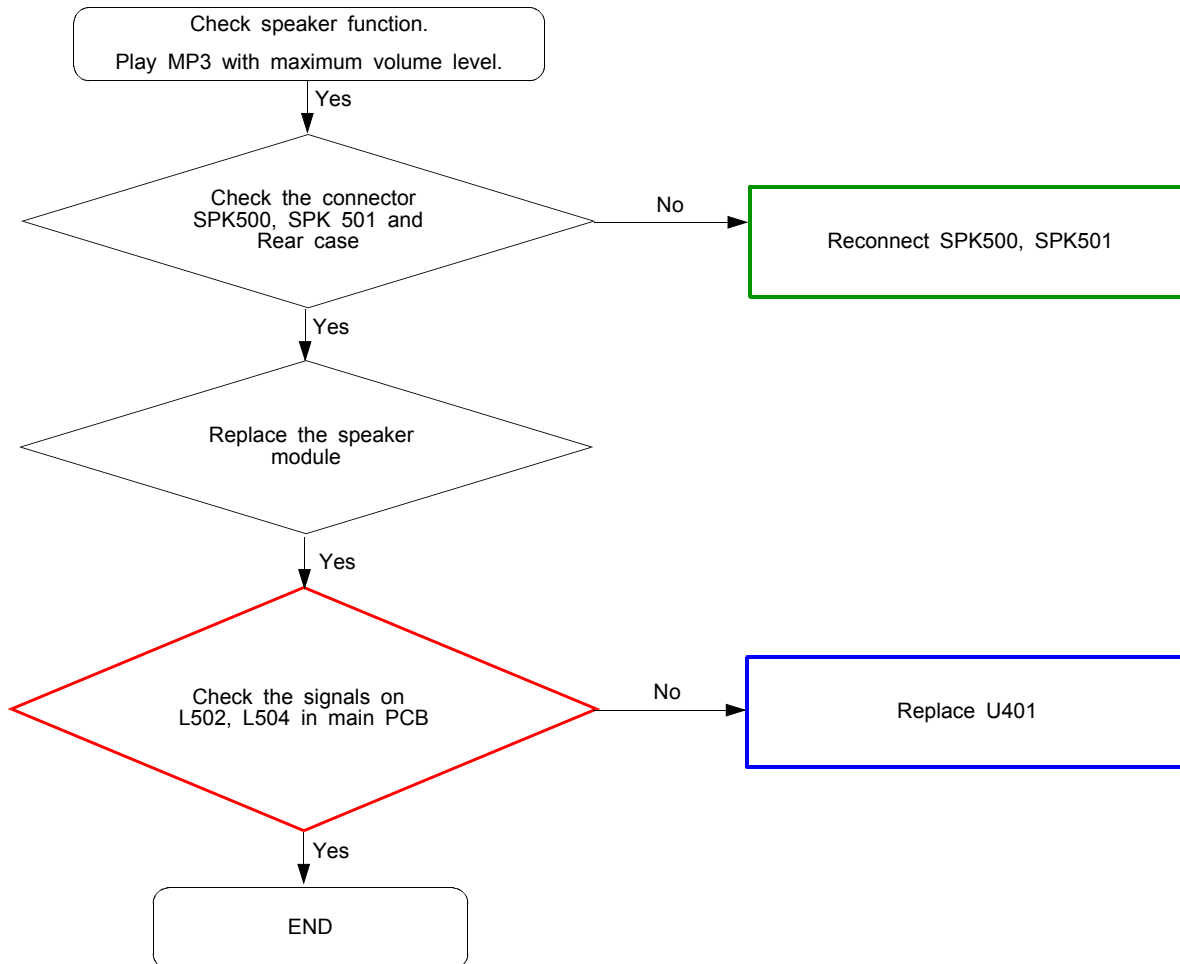


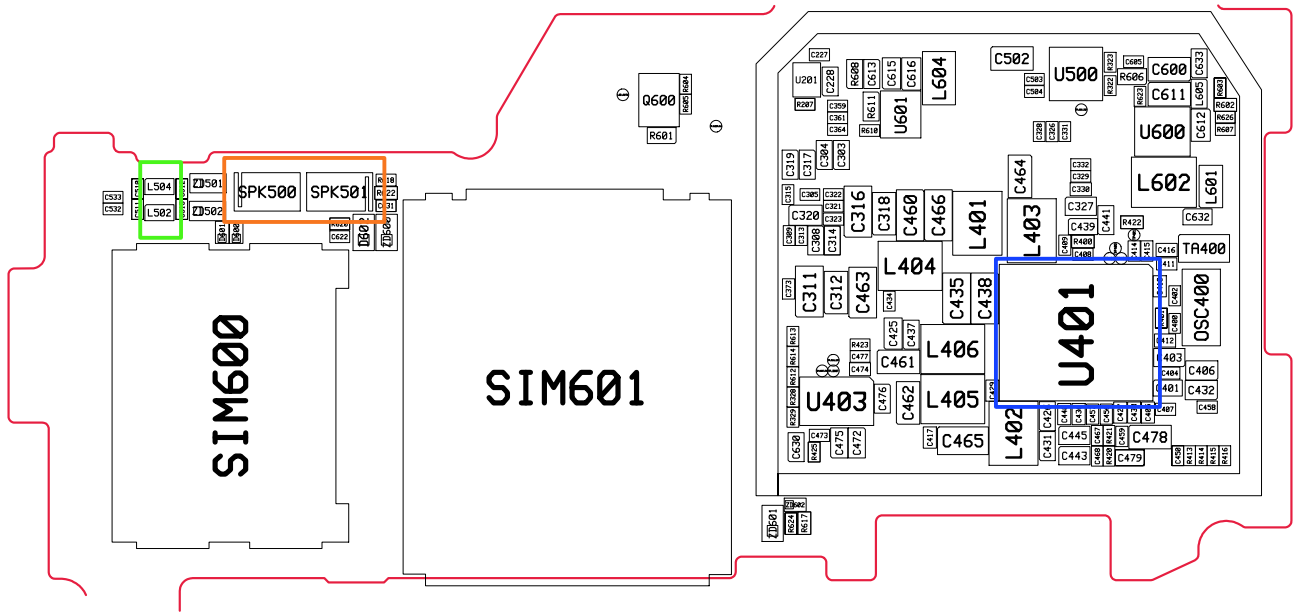
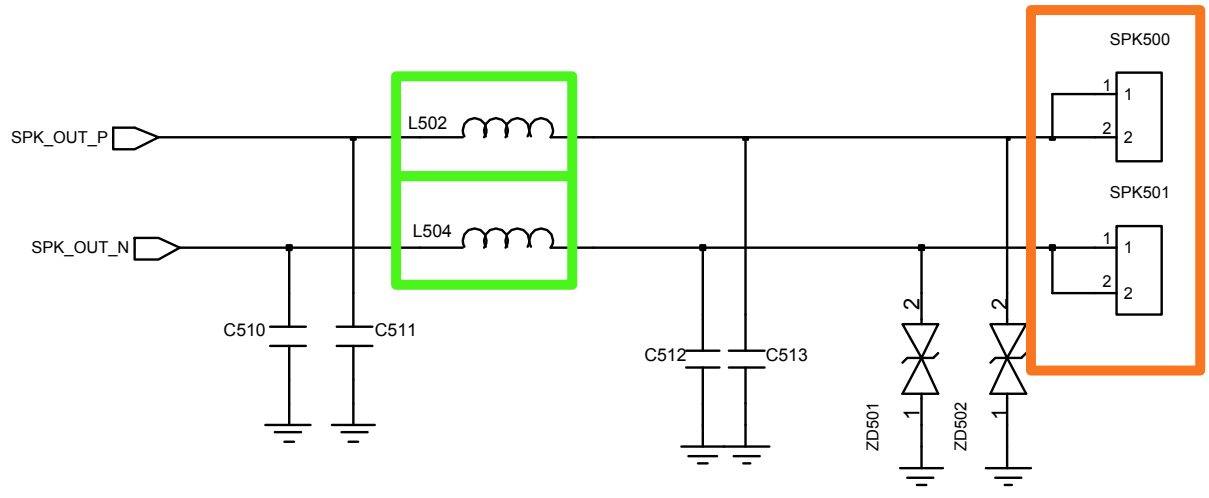


8-3-4. Microphone Part

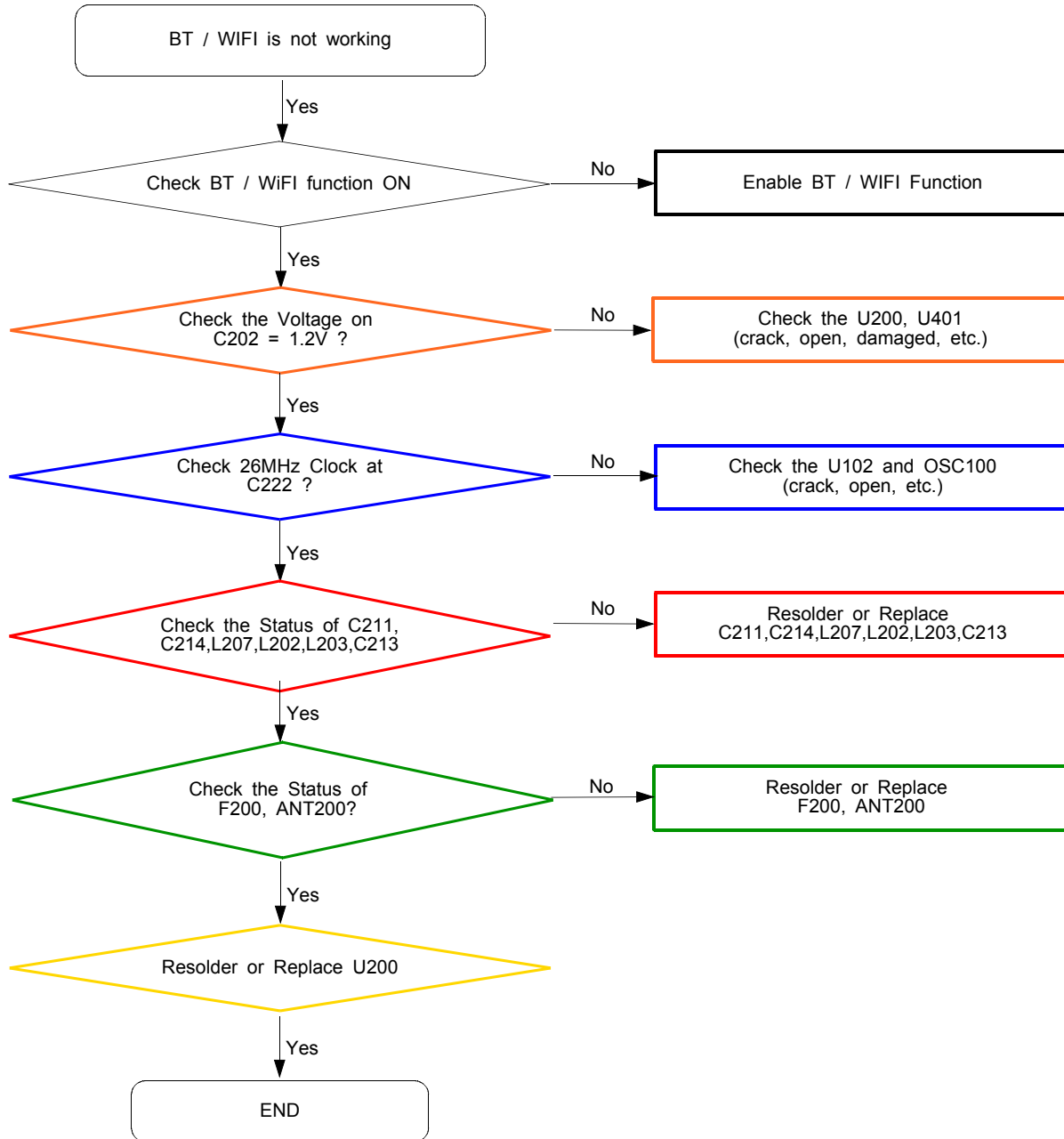


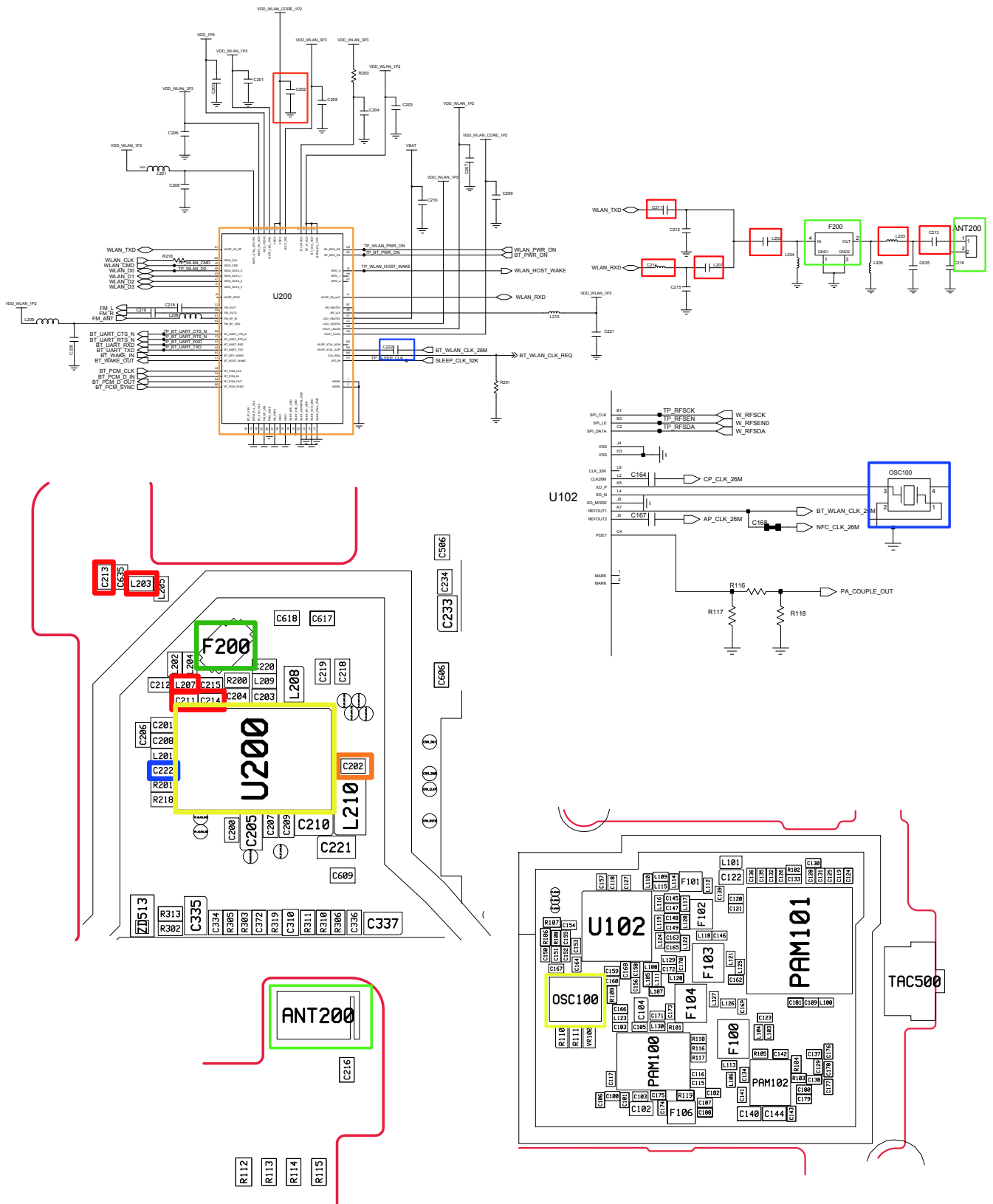
8-3-5. Speaker Part



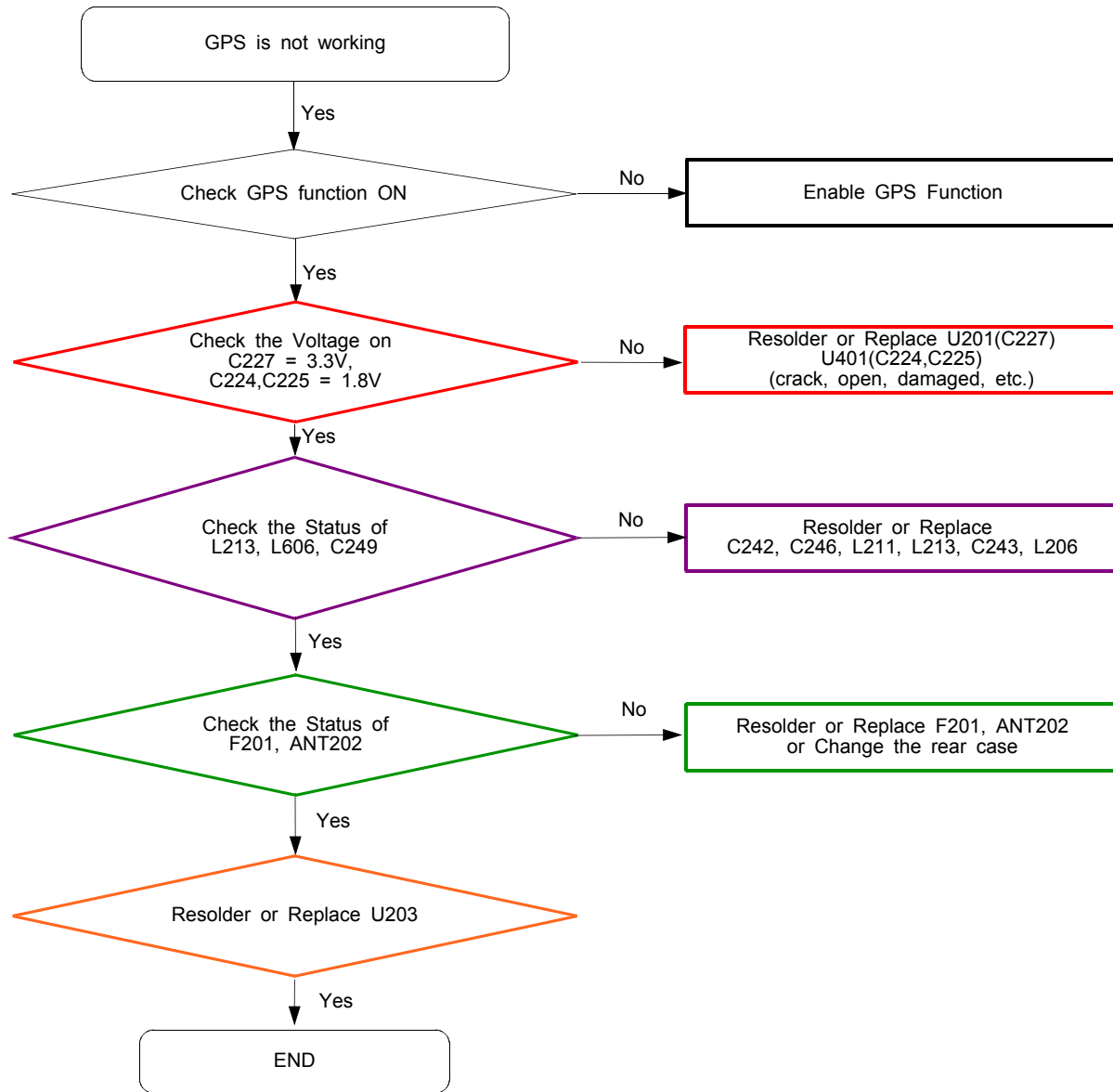


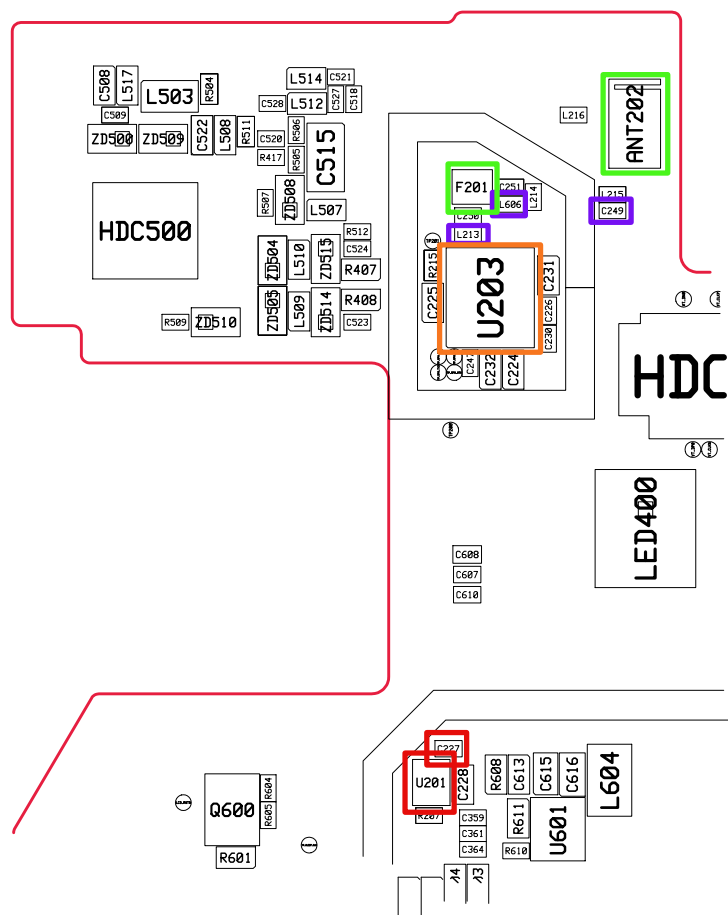
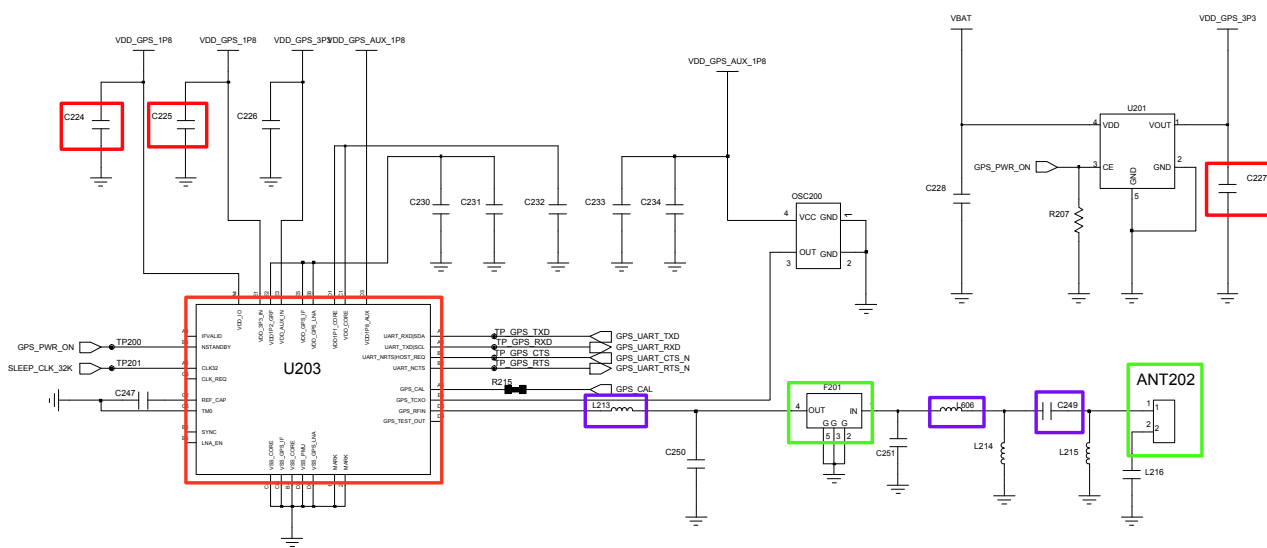
8-3-7. WIFI / BT Part



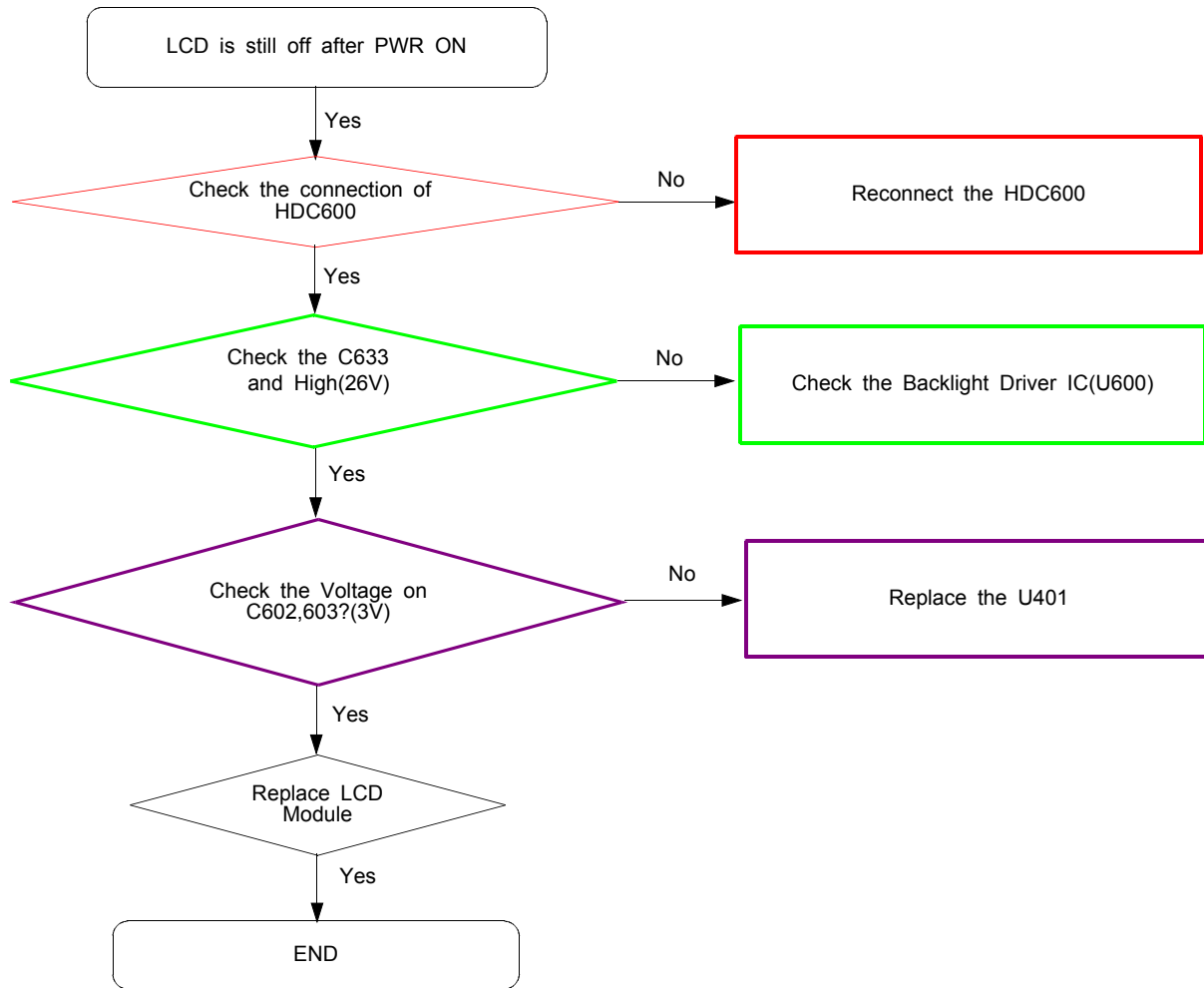


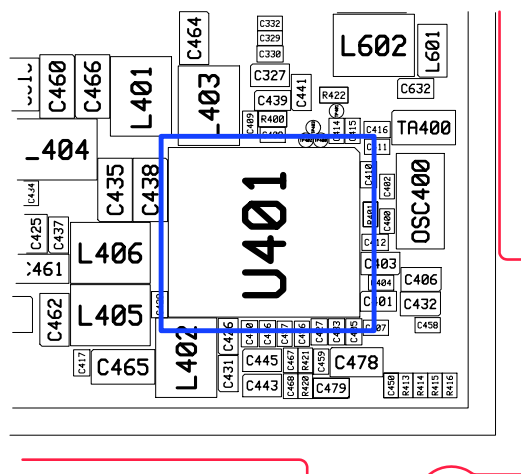
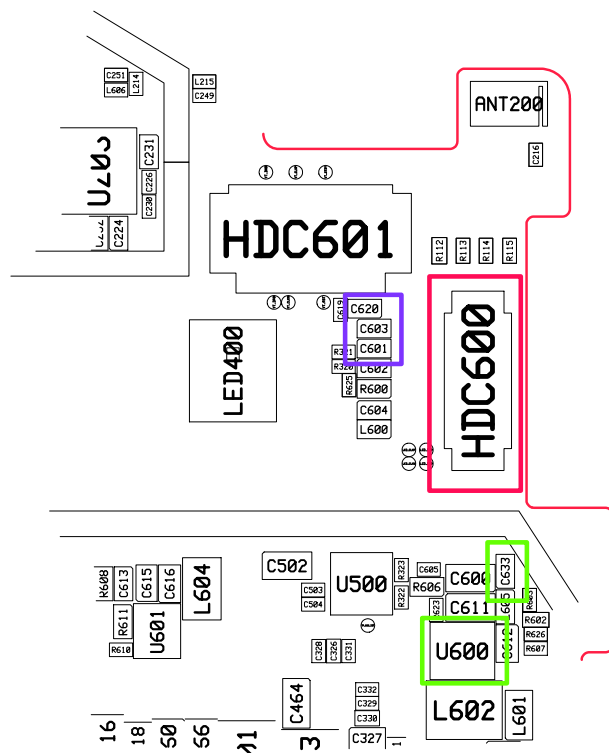
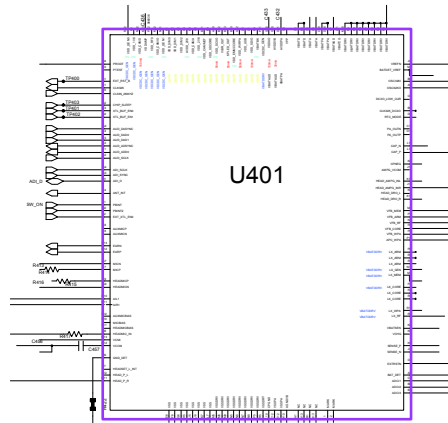
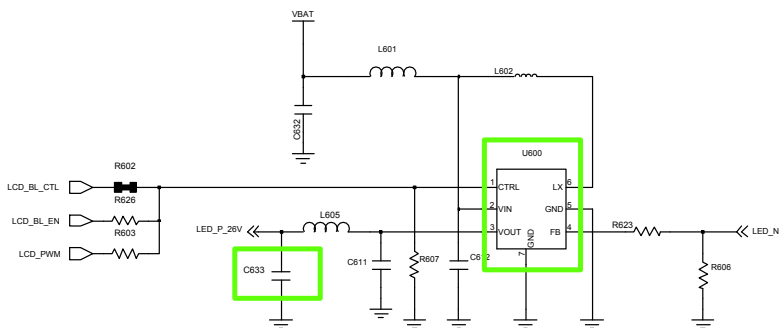
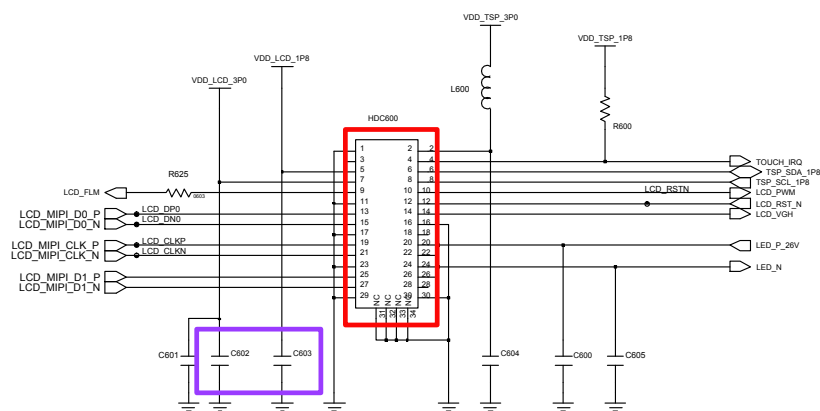
8-3-8. GPS Part



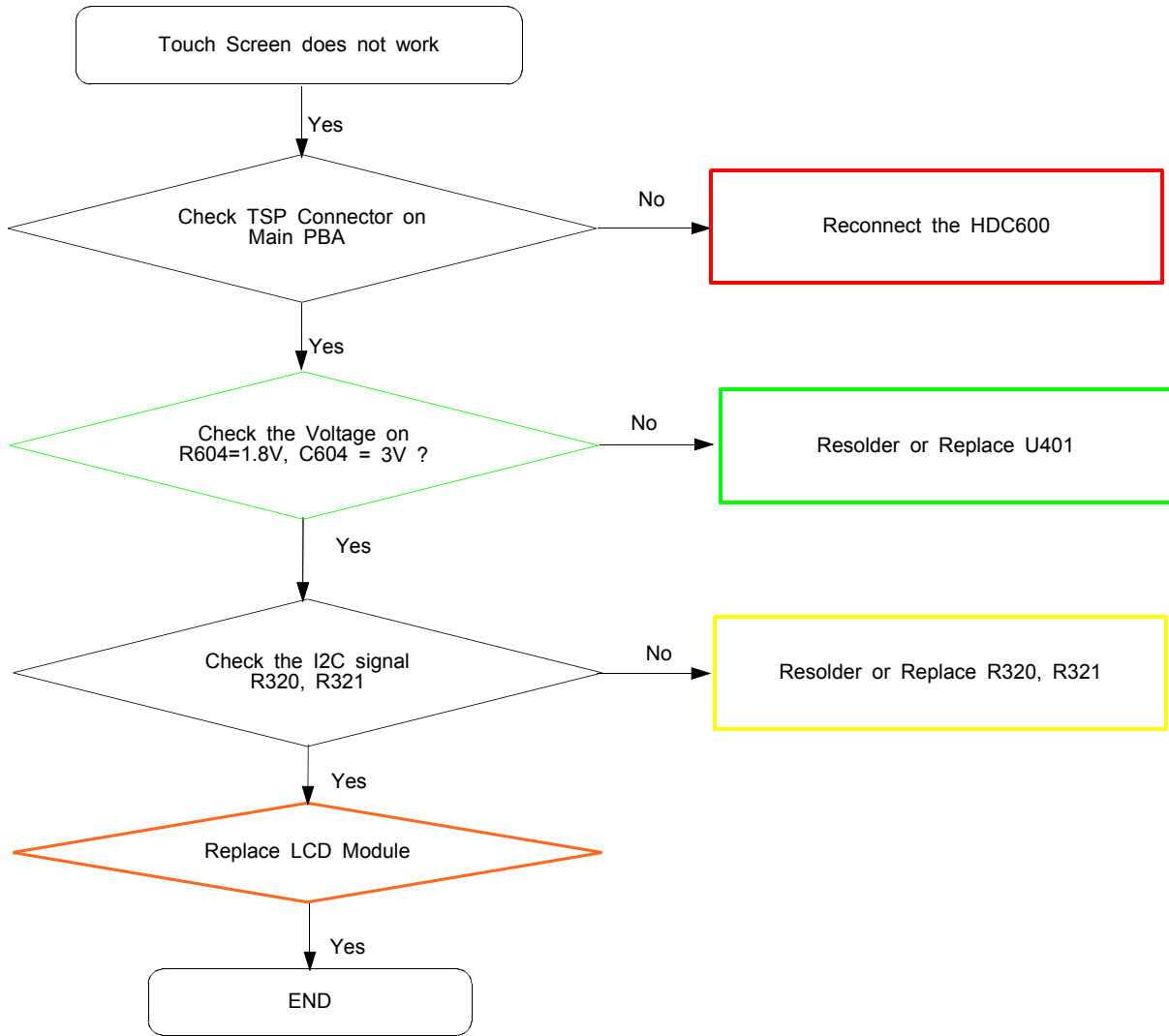


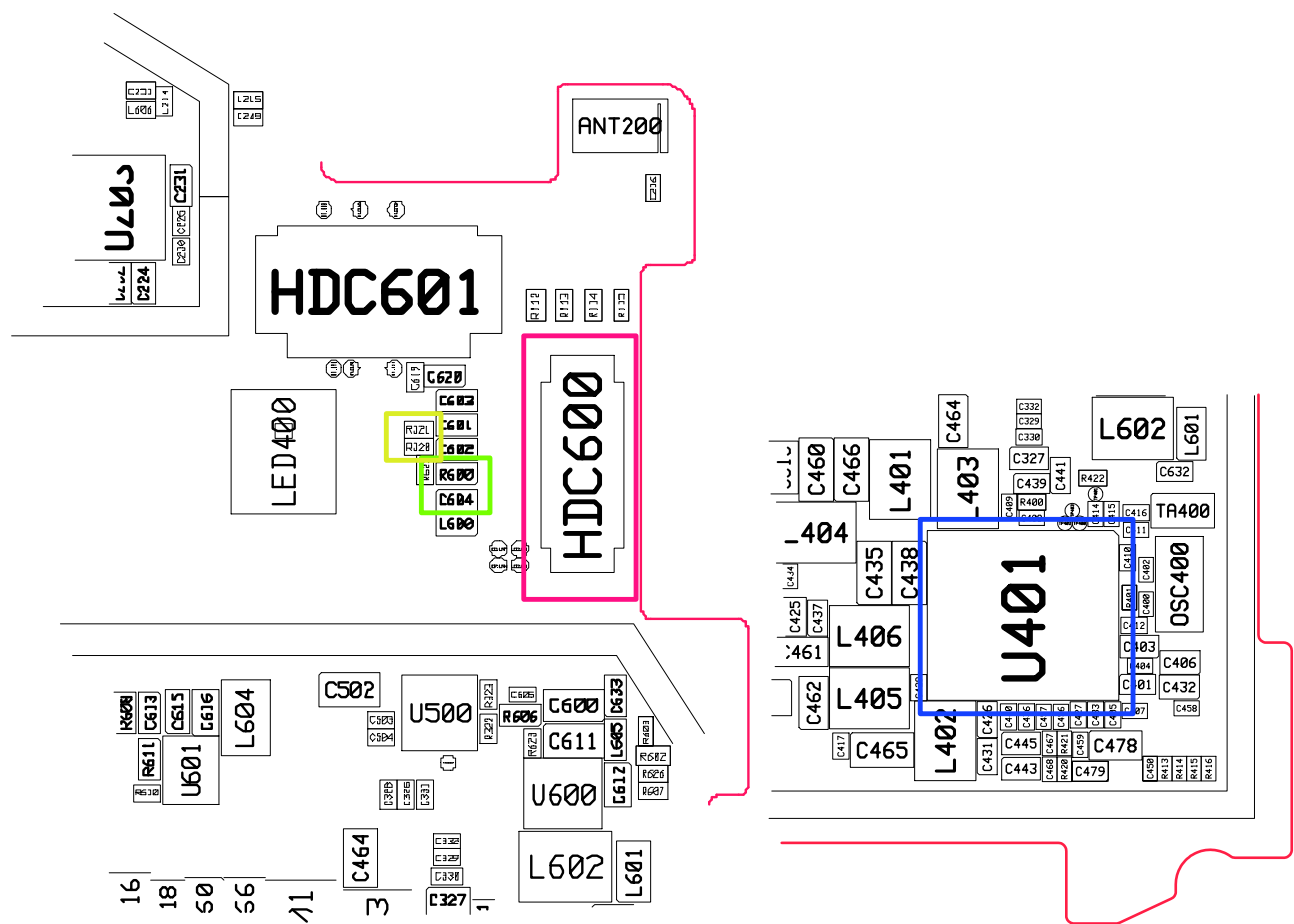
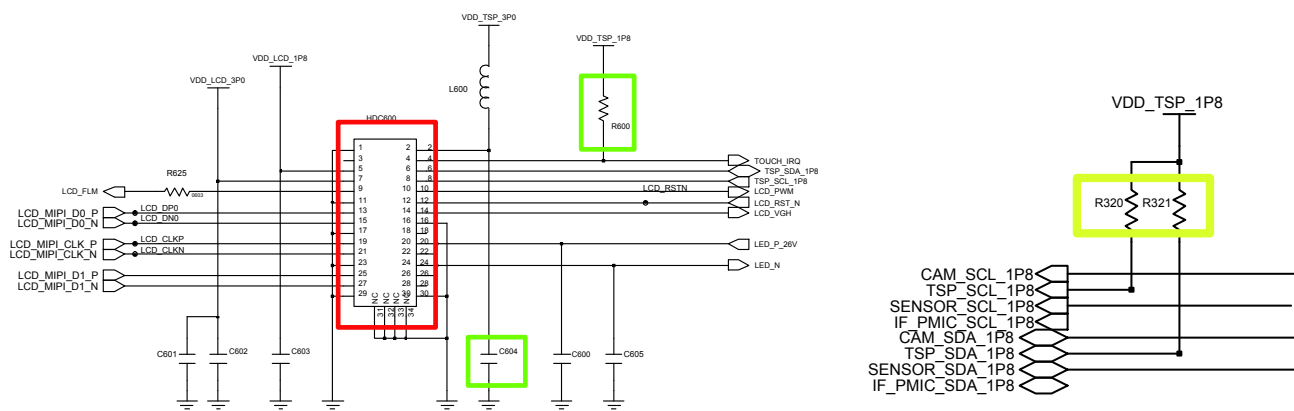
8-3-9. LCD



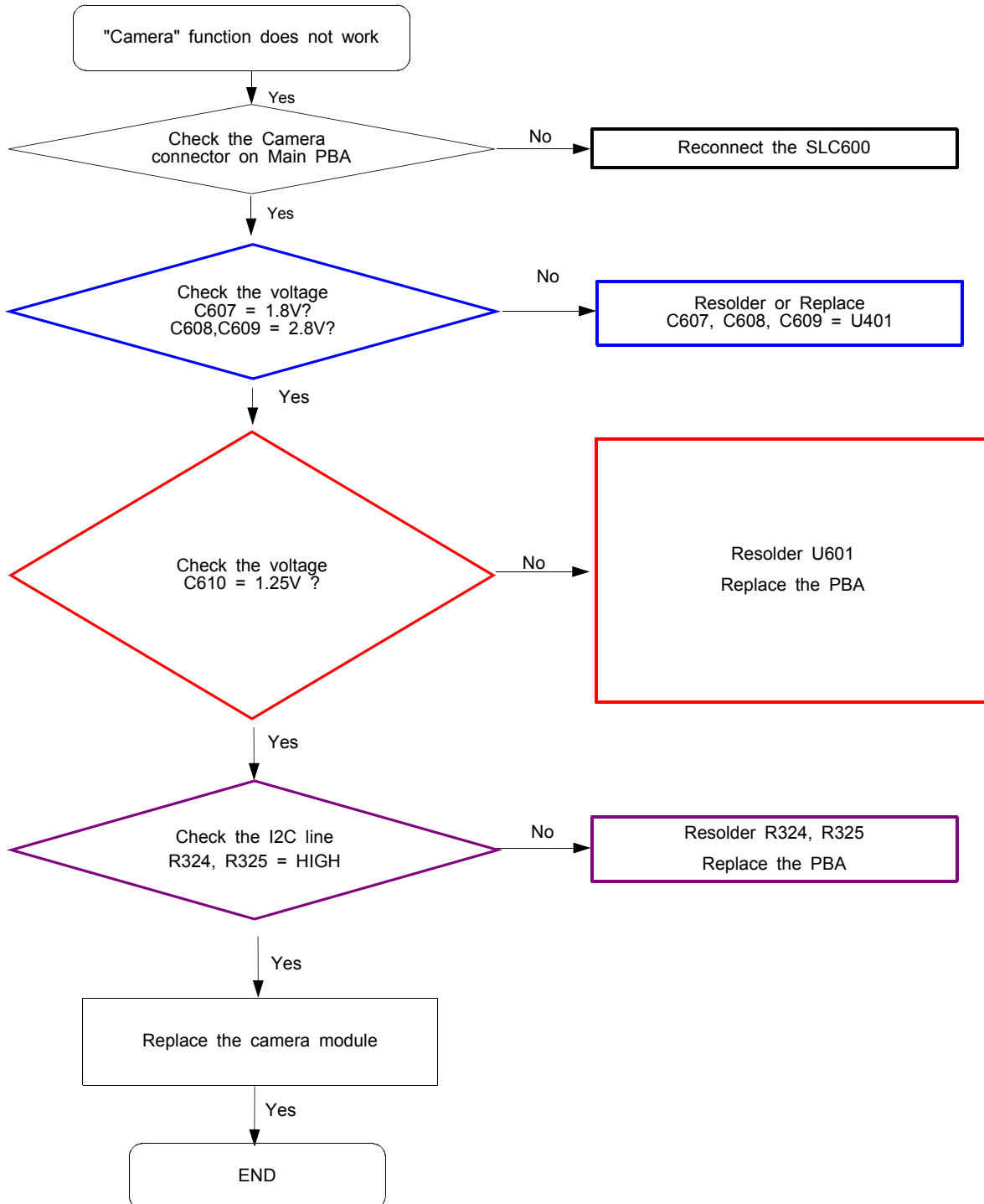


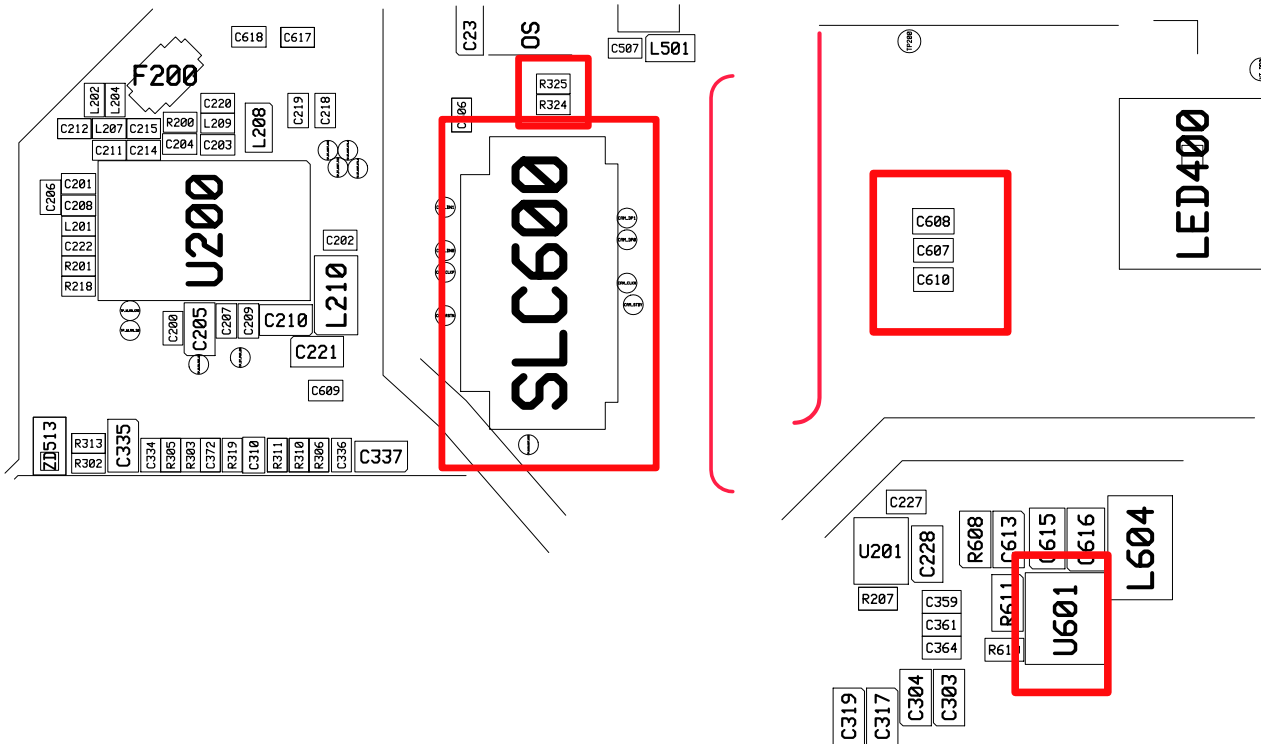
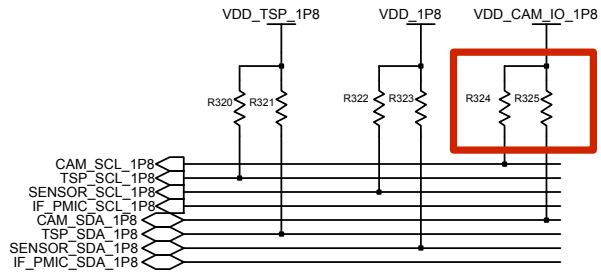
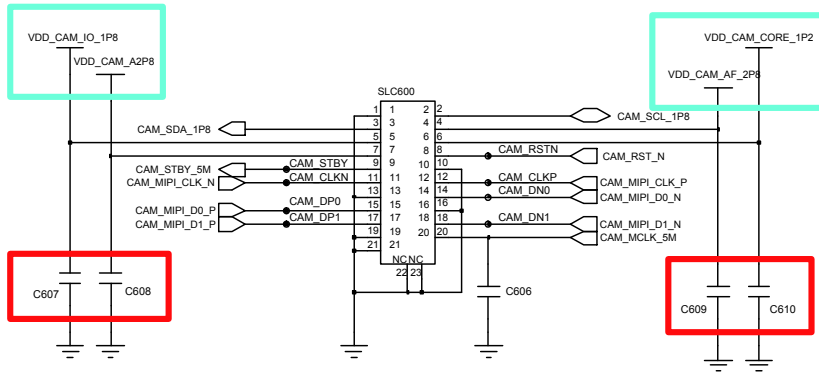
8-3-10. TSP



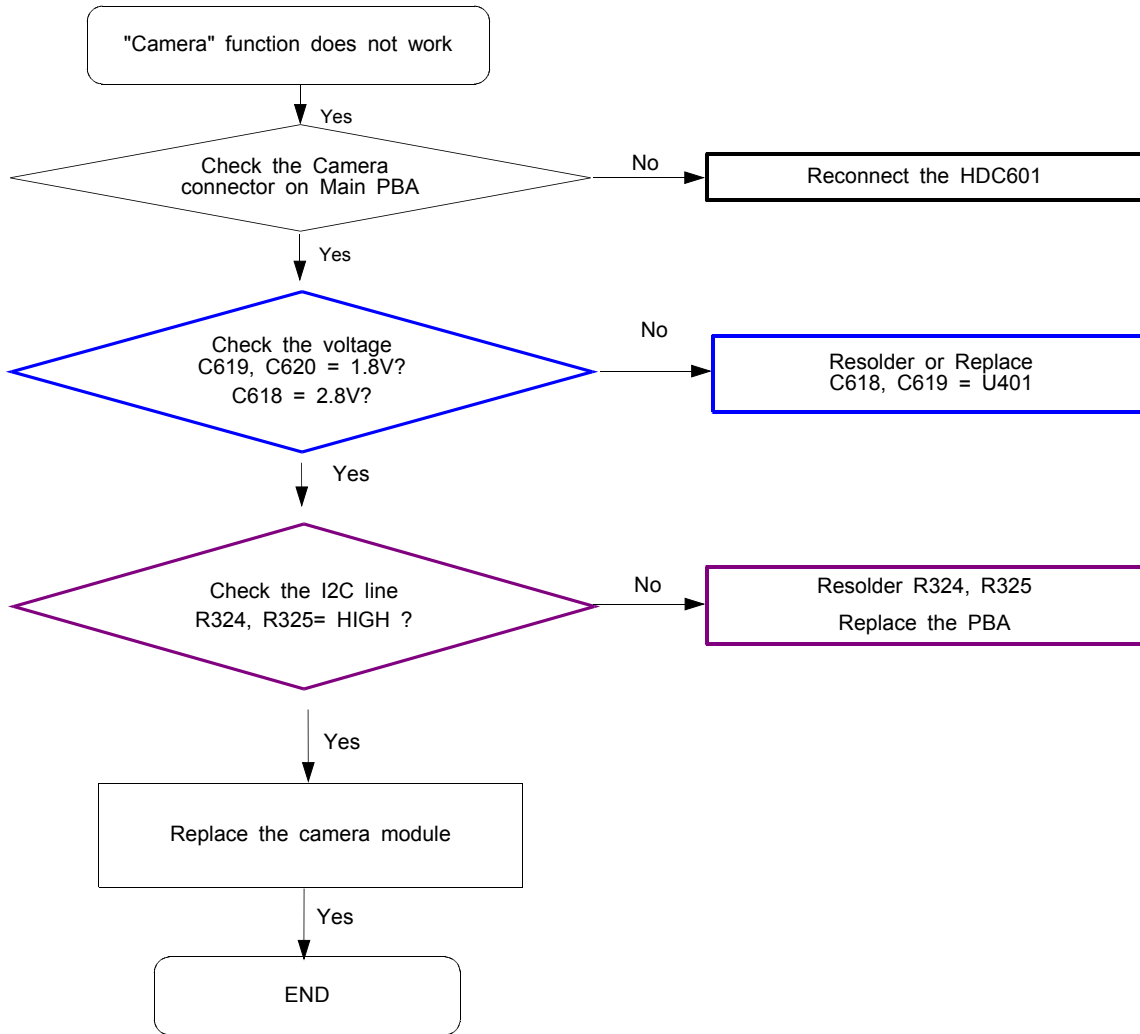


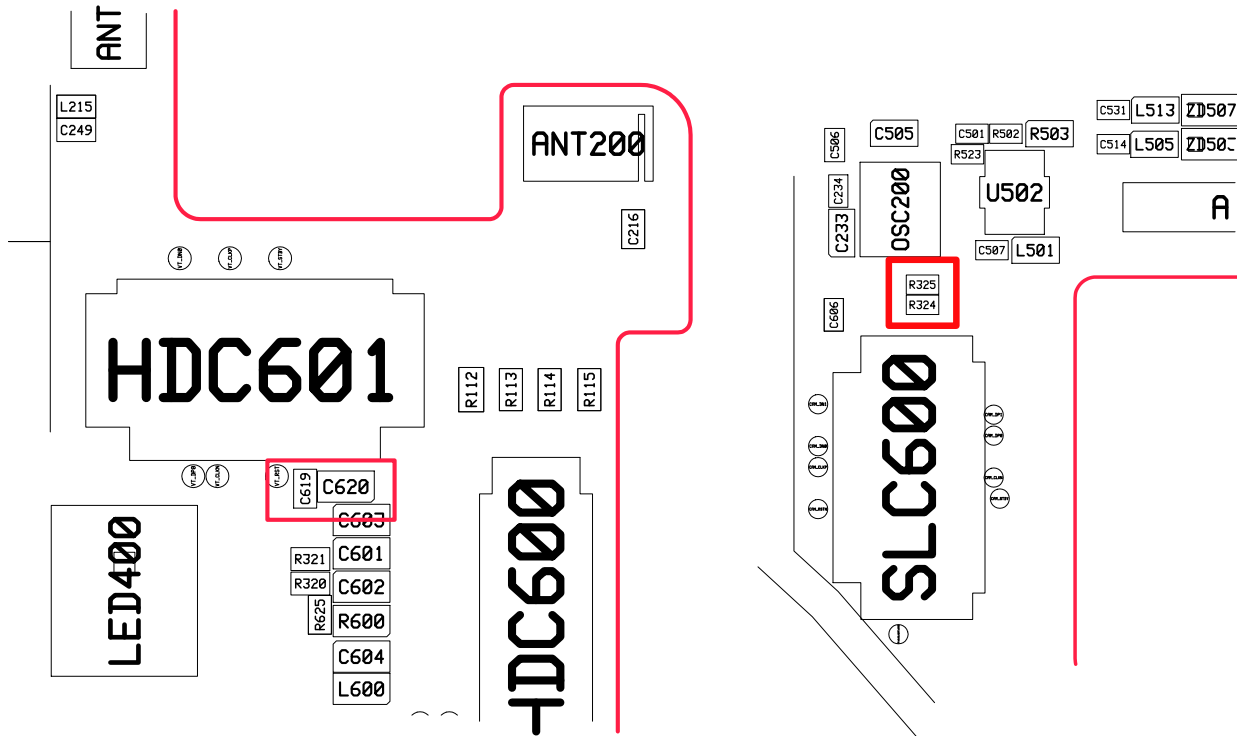
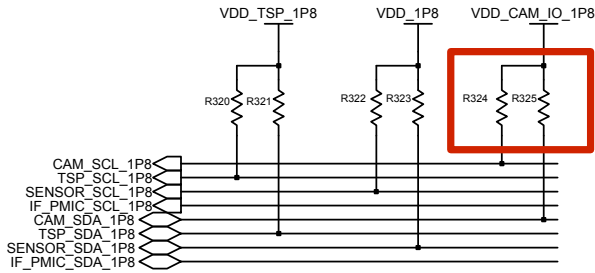
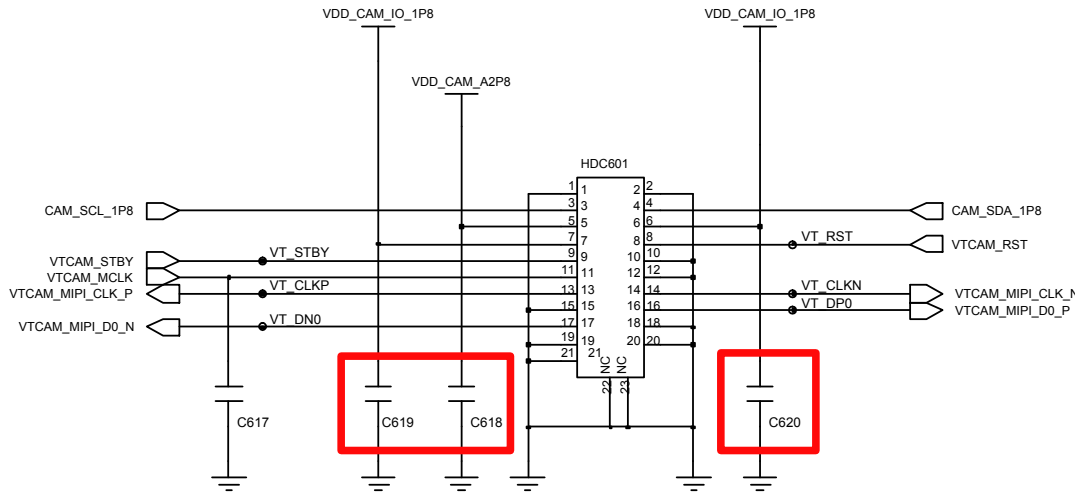
8-3-11. 5M CAM (Main)



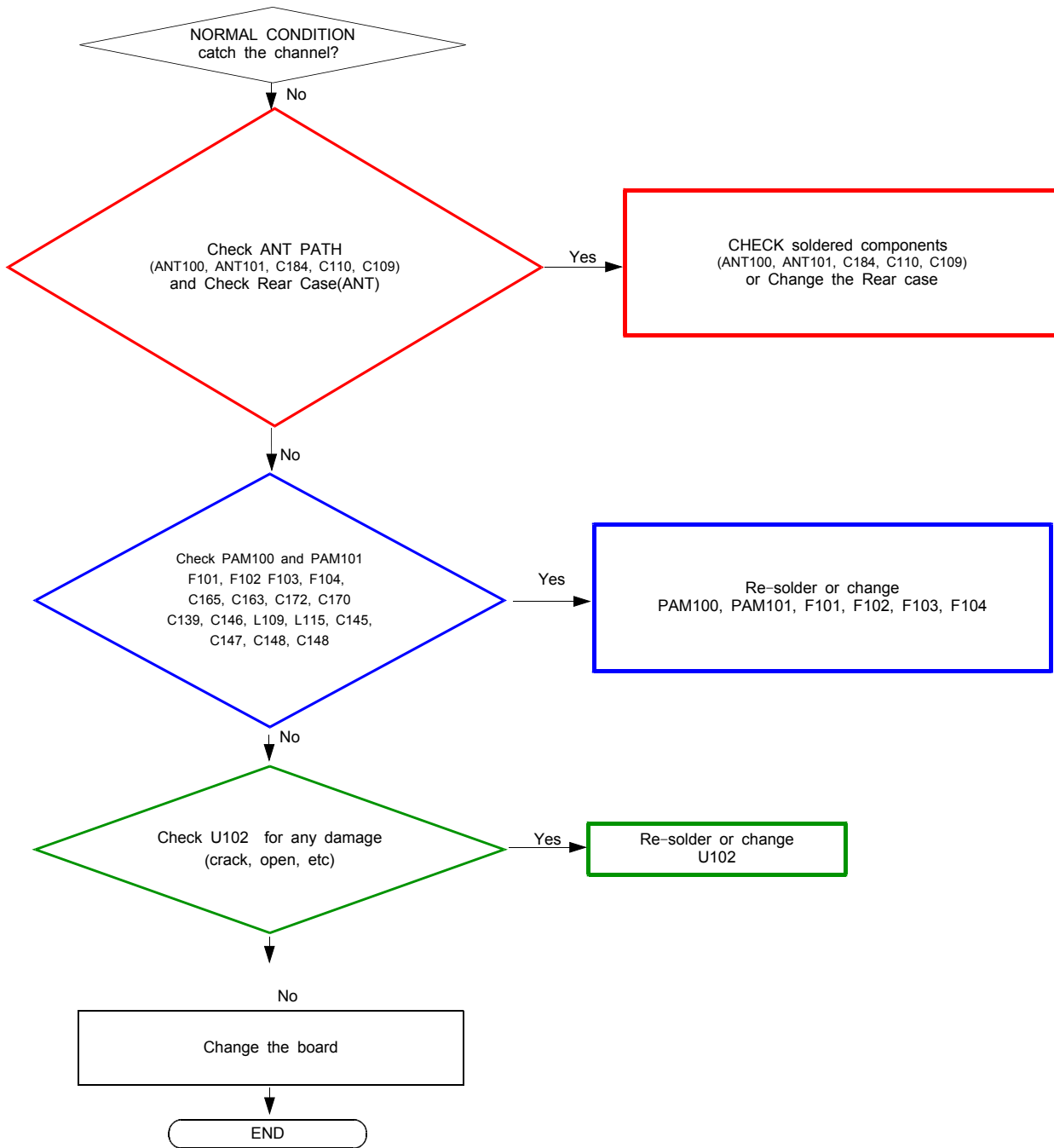


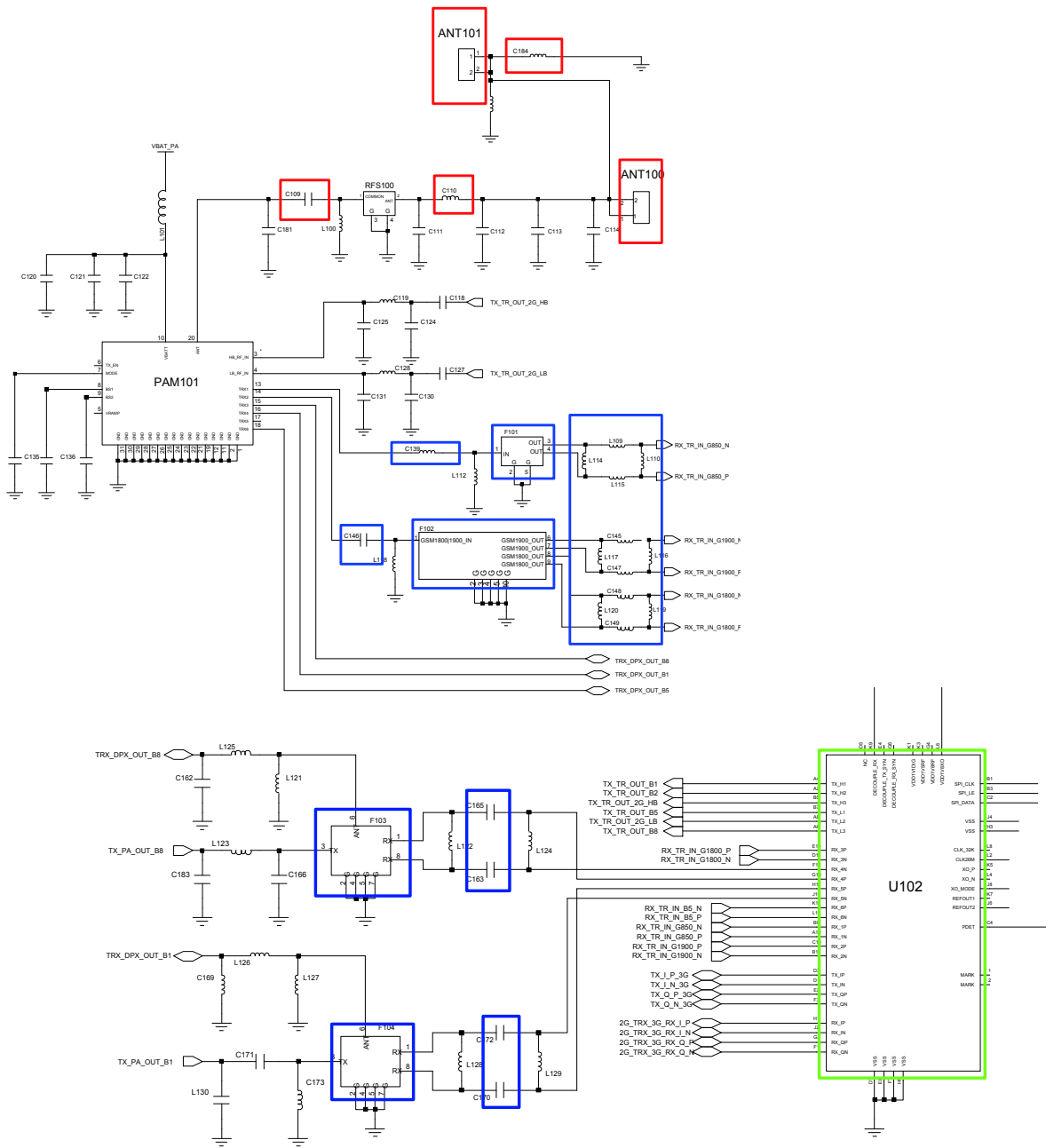
8-3-12. 2M CAM (Sub)

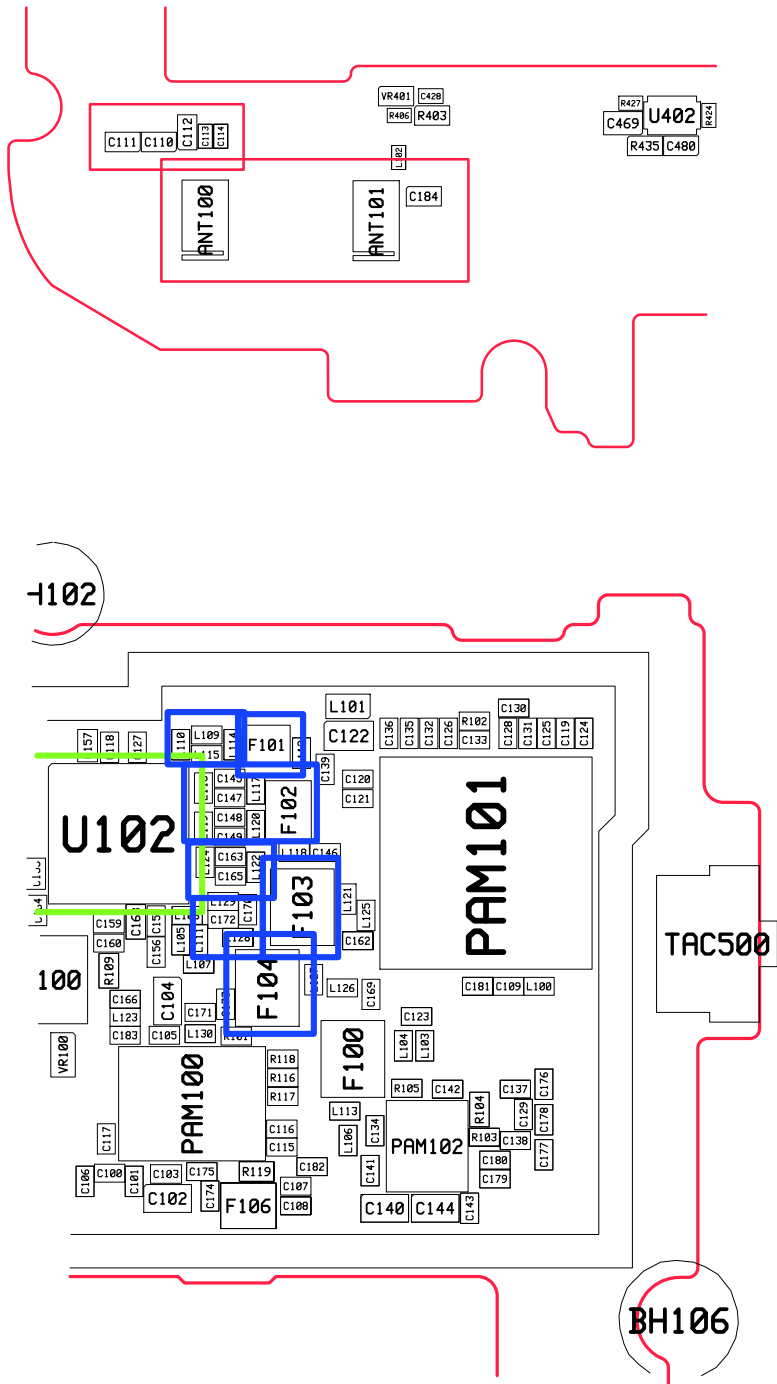




8-3-13. GSM 850,900,1800,1900 / WCDMA BAND 1,8 RX Path







8-3-14. GSM 850,900,1800,1900 / WCDMA BAND 1,8 TX Path

