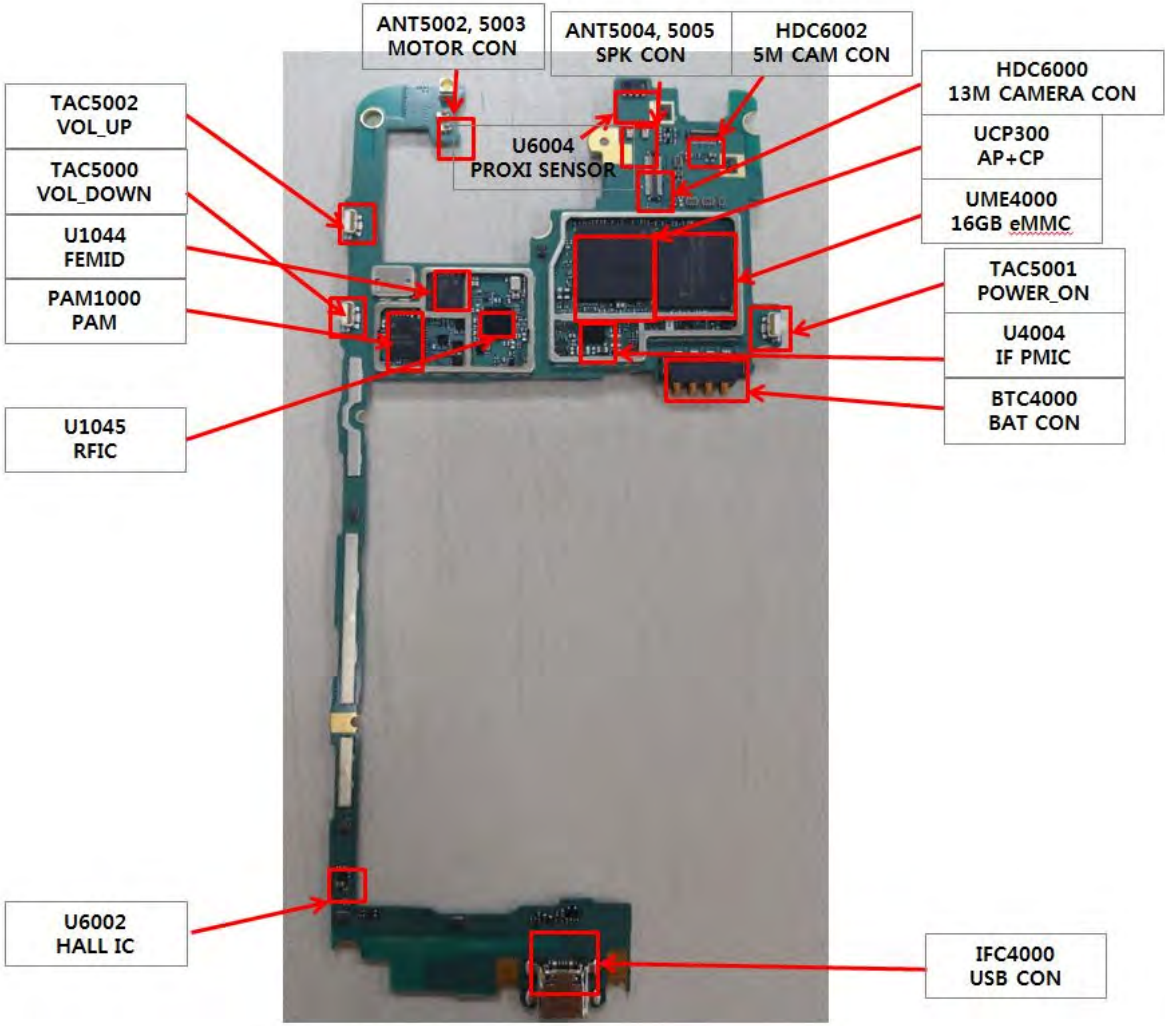
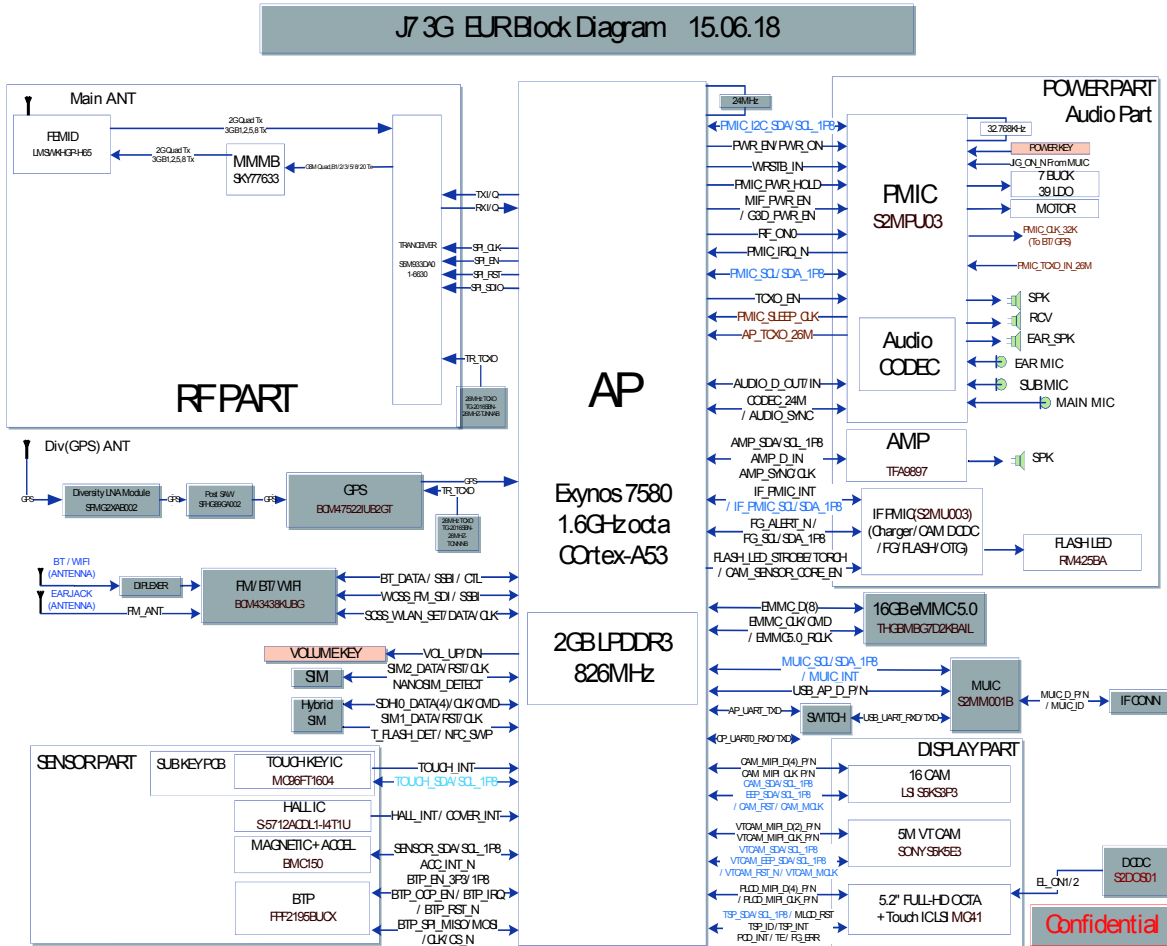


8. Level 3 Repair

8-1. Components Layout



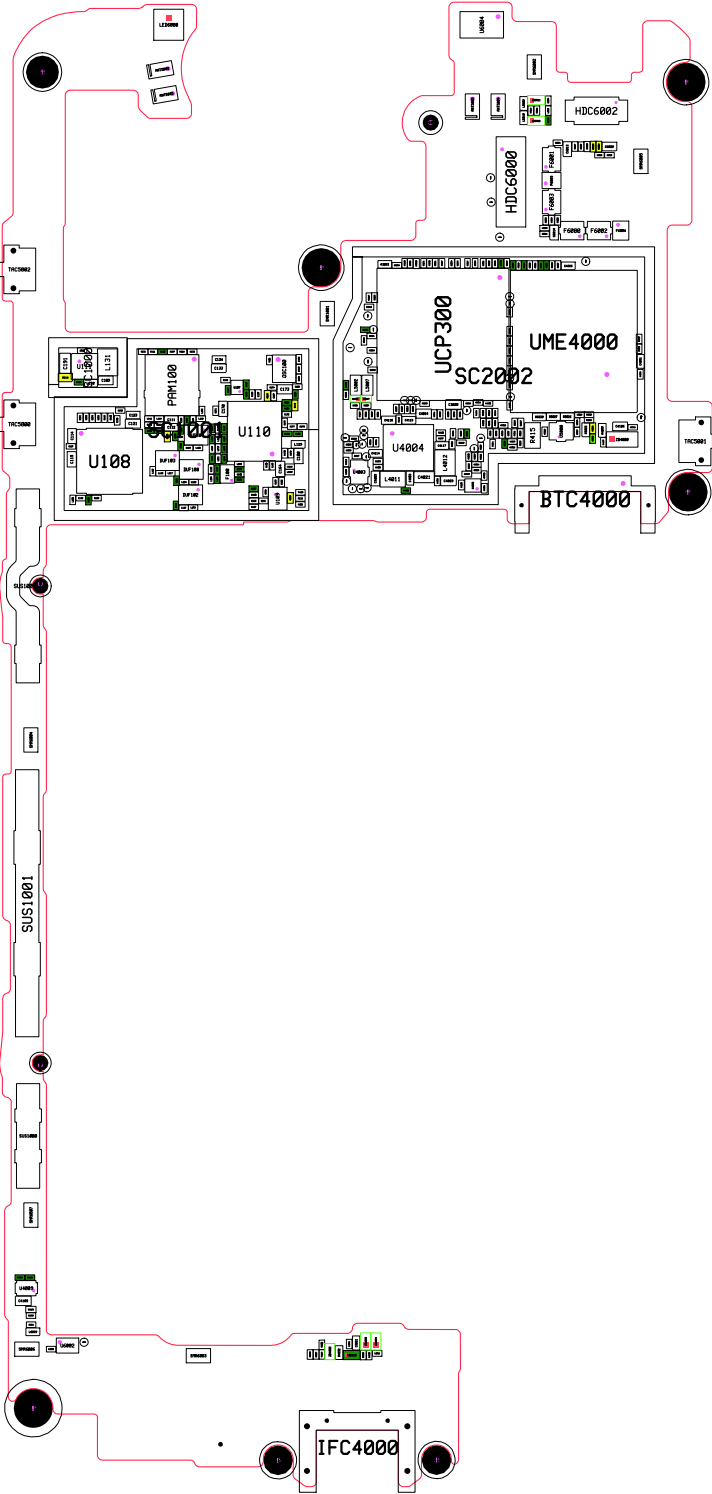
8-2. Block Diagram



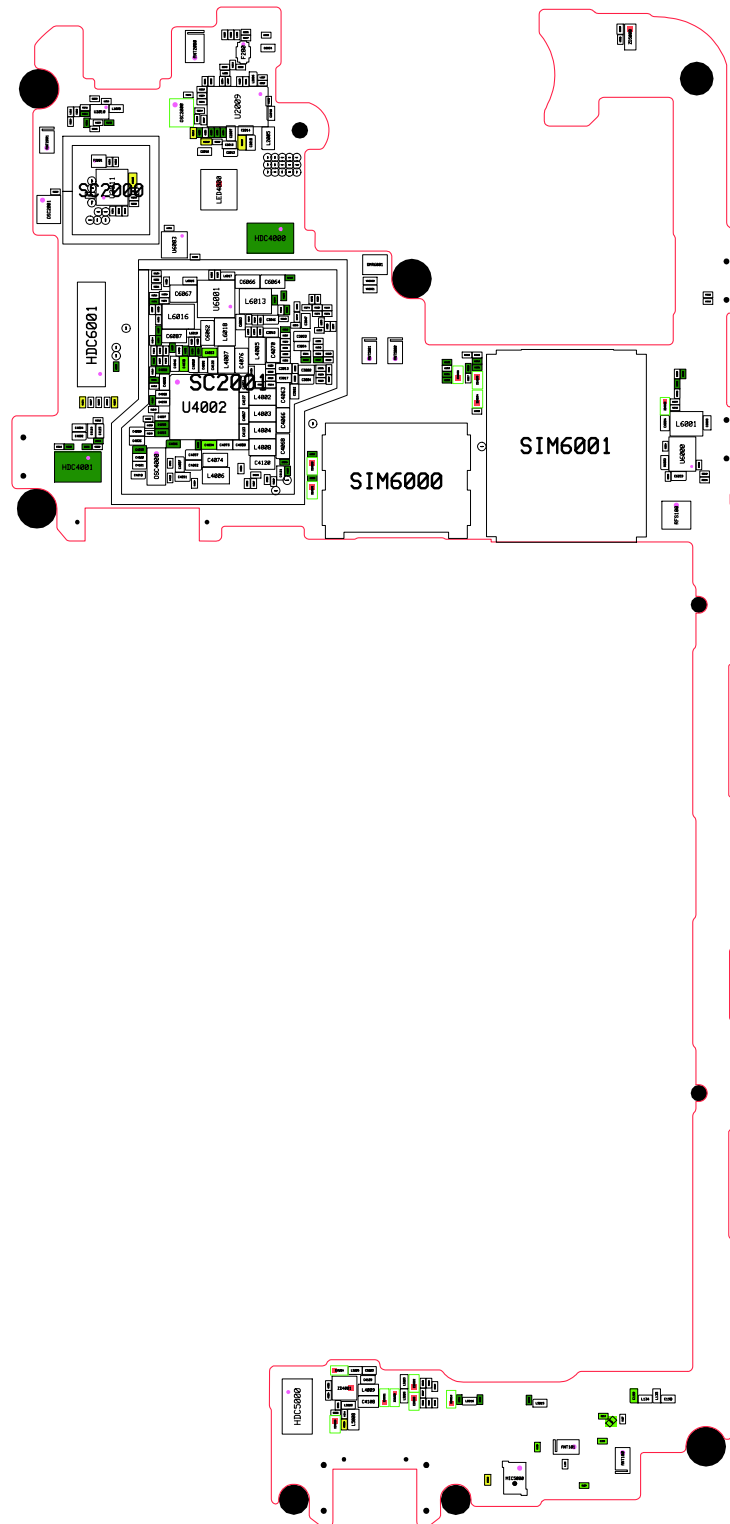
Confidential

8-3. PCB Diagrams

8-3-1. Top

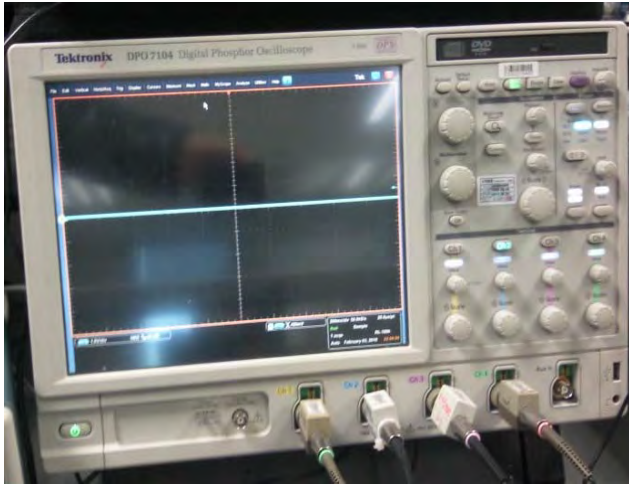


8-3-2. Bottom



8-4. Flow Chart of Troubleshooting

Equipments



↑ Oscilloscope



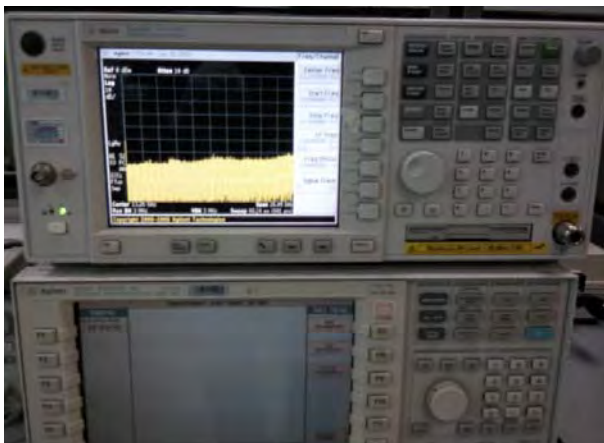
↑ Digital Multimeter



↑ Power Supply



↑ + driver, ESD Safe Tweezer

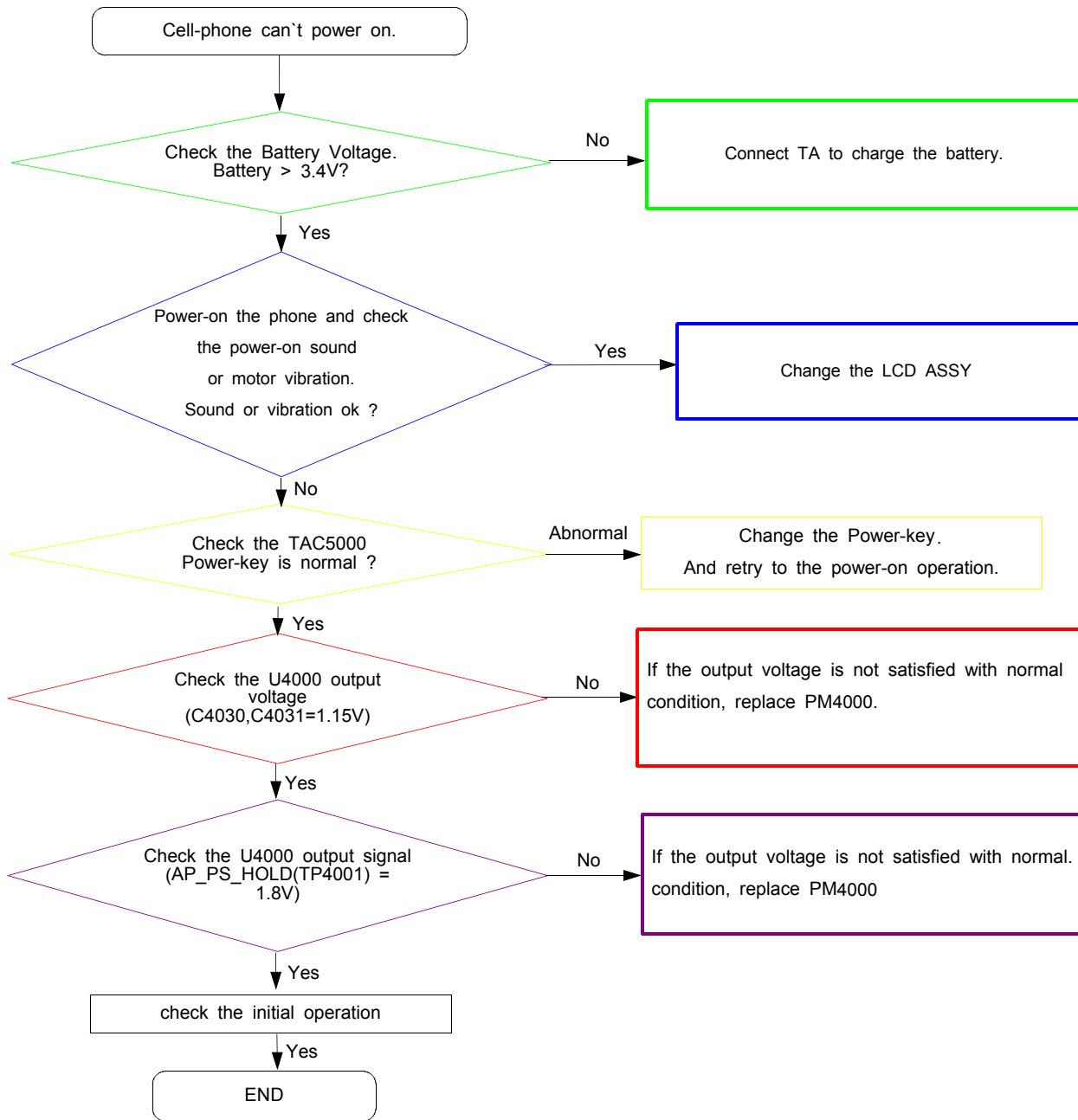


↑ 8960 & Spectrum Analyzer

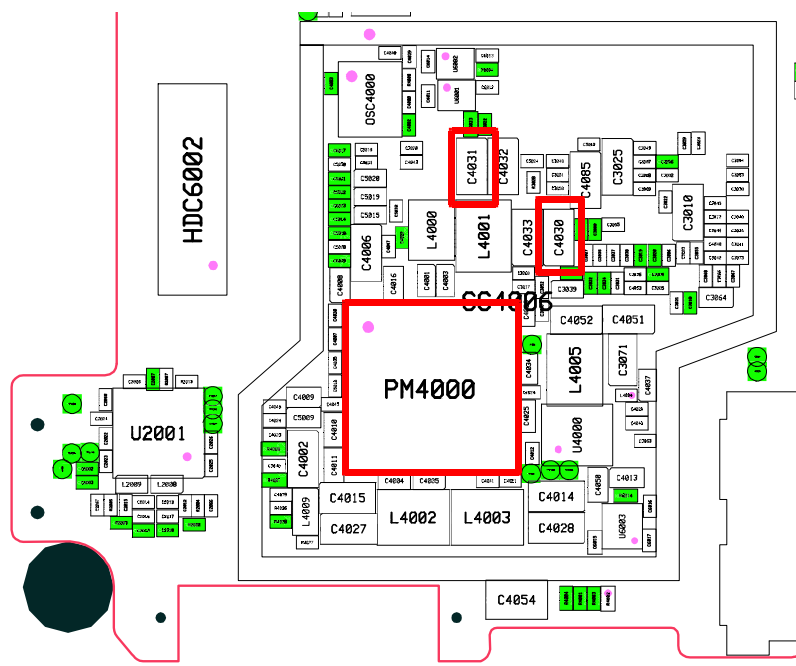
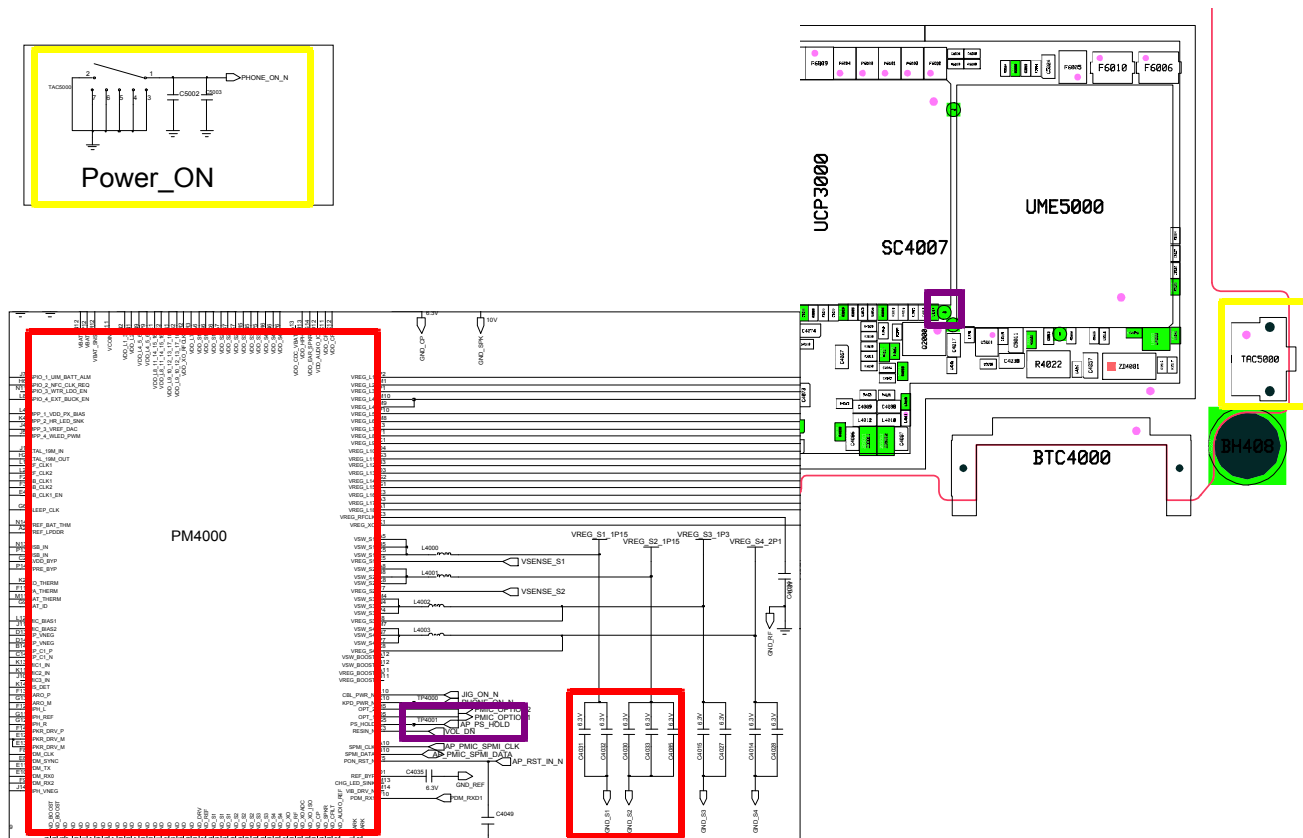
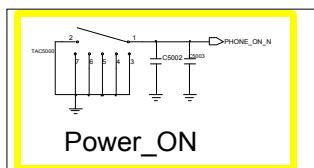


↑ Soldering iron

8-4-1. Power On



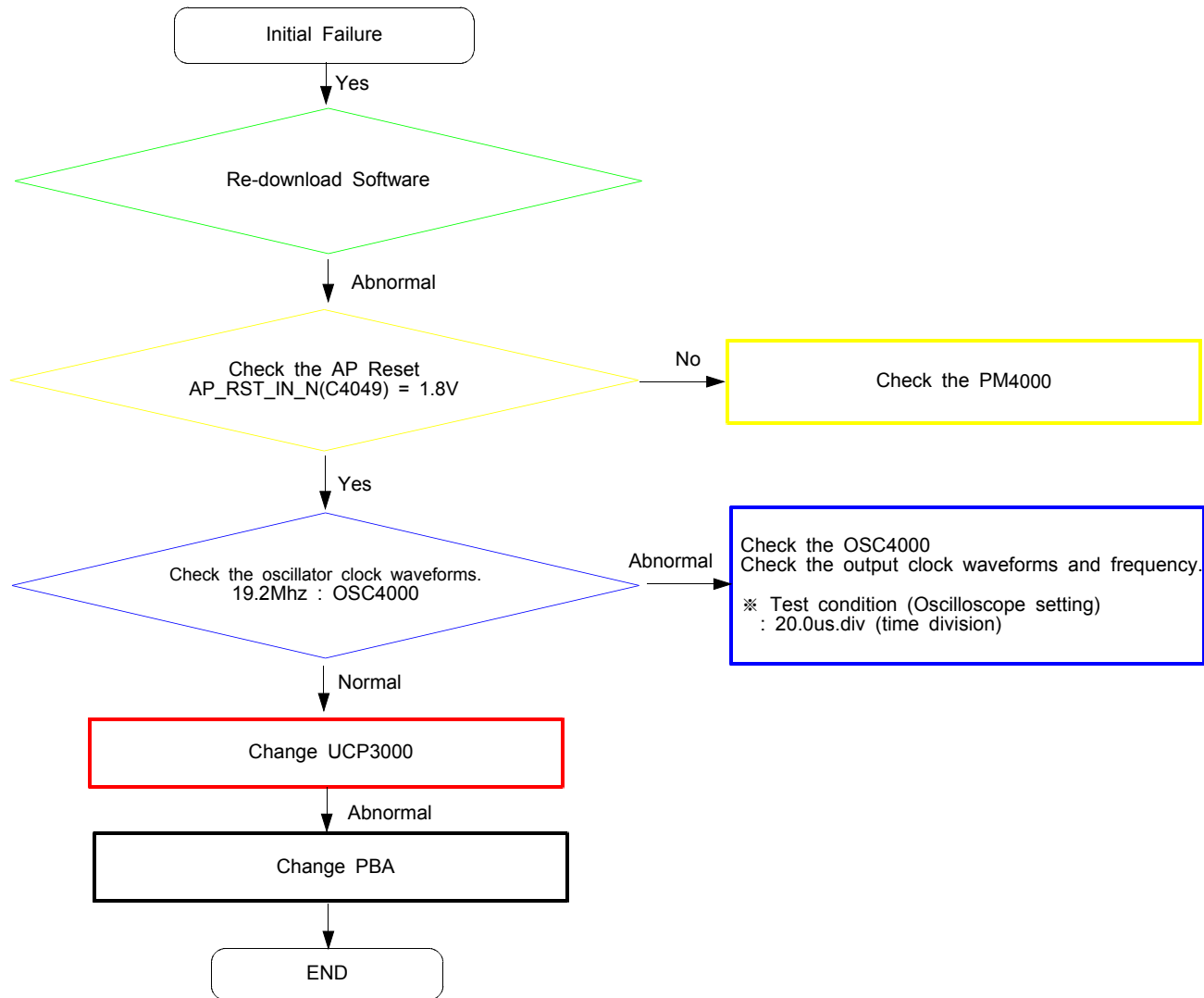
Level 3 Repair

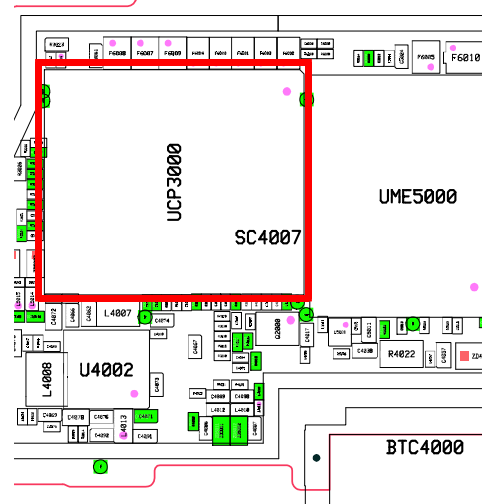
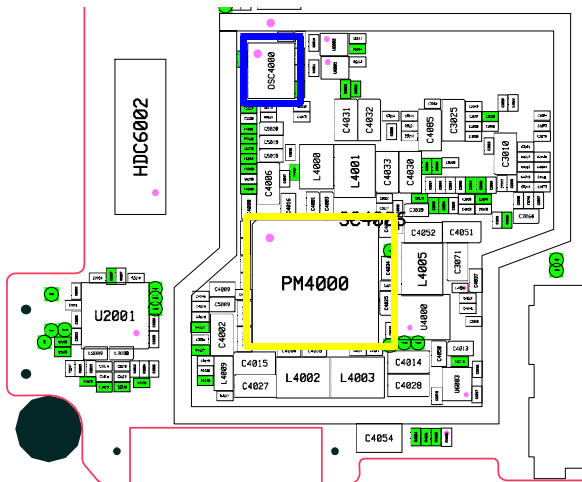
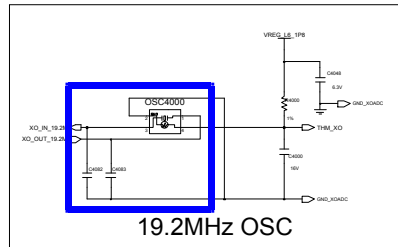
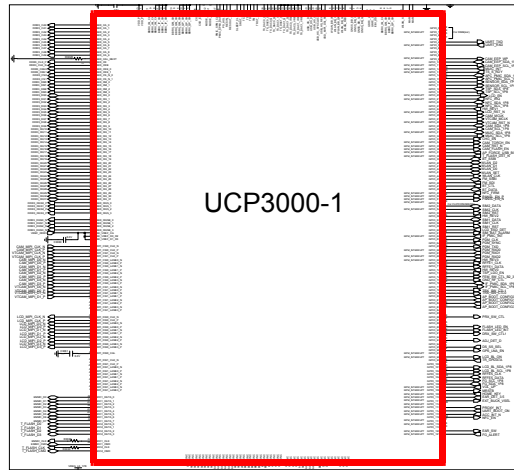
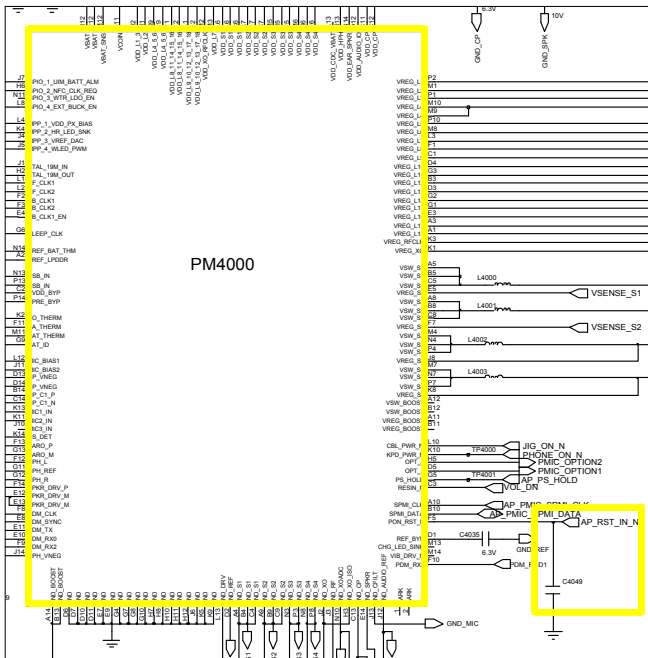


Confidential and proprietary-the contents in this service guide subject to change without prior notice.

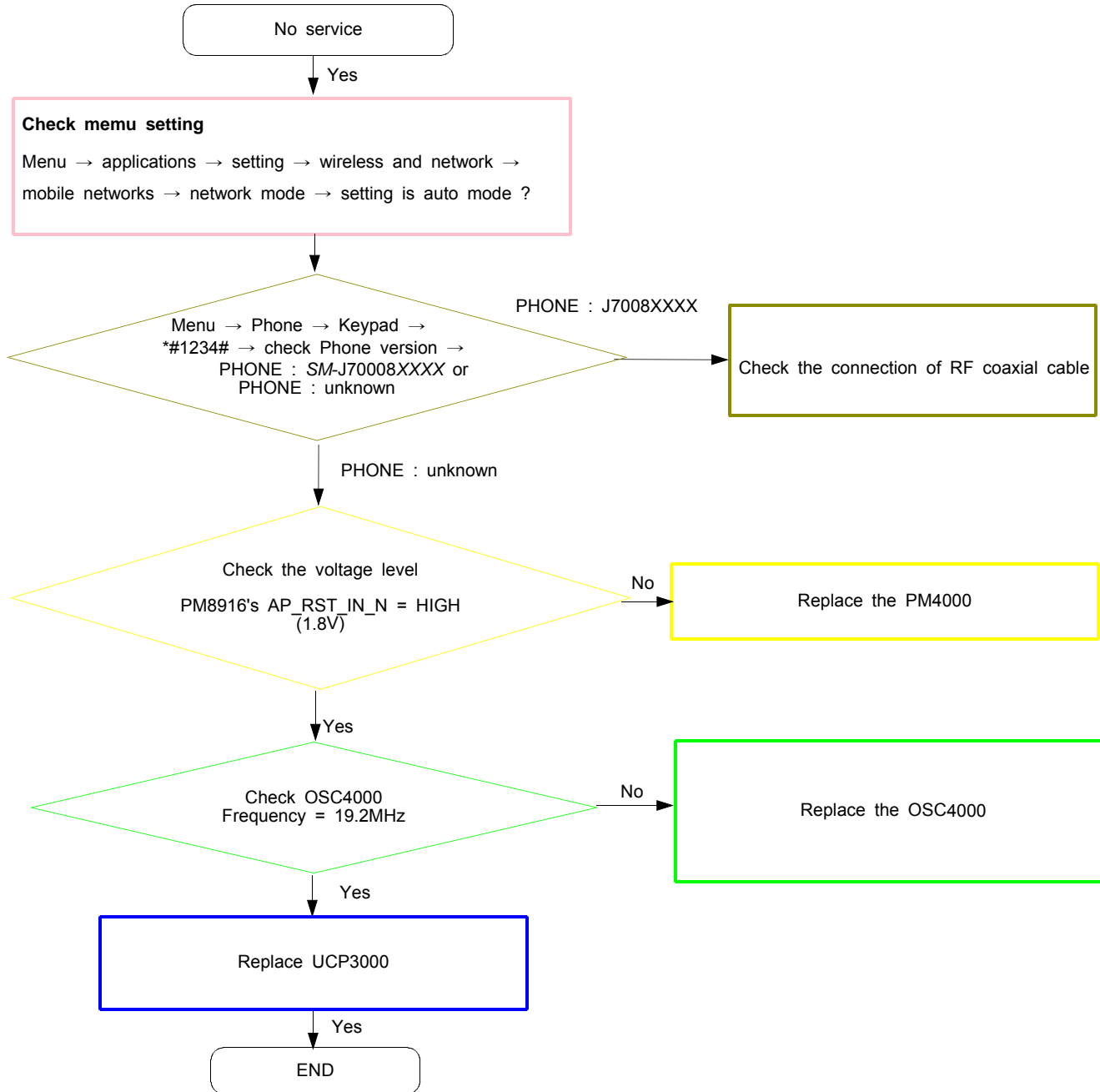
Distribution, transmission, or infringement of any content or data from this document without Samsung's written authorization is strictly prohibited.

8-4-2. Initial



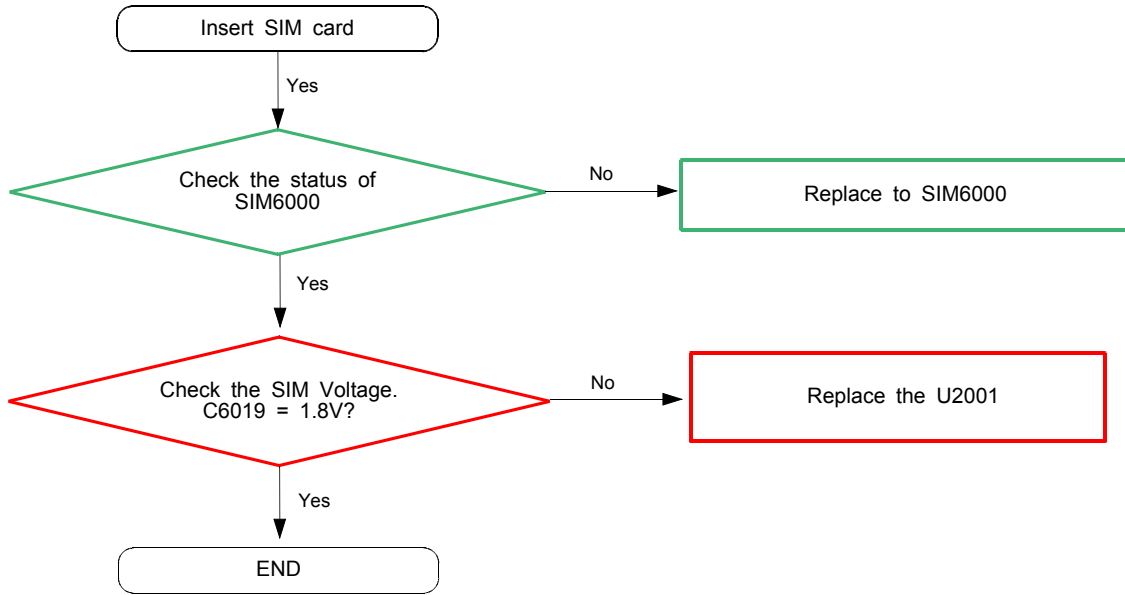


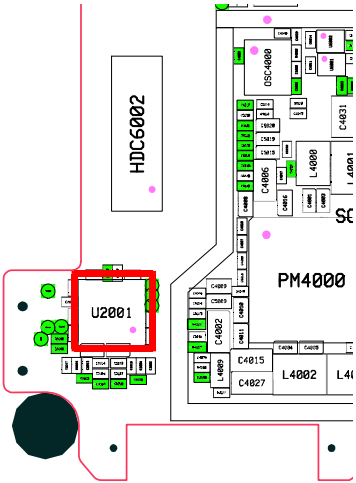
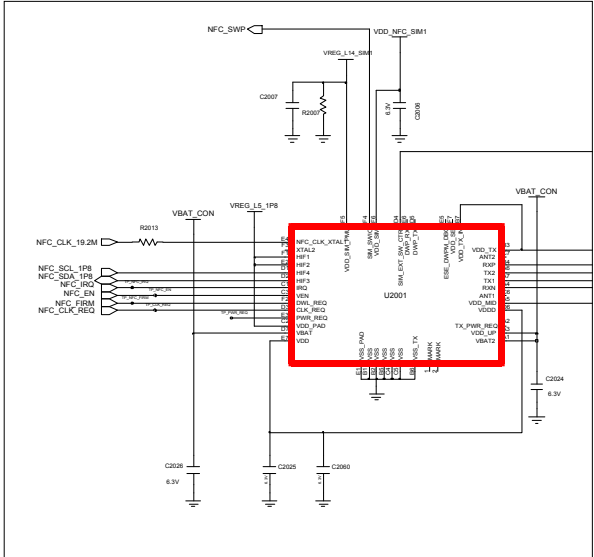
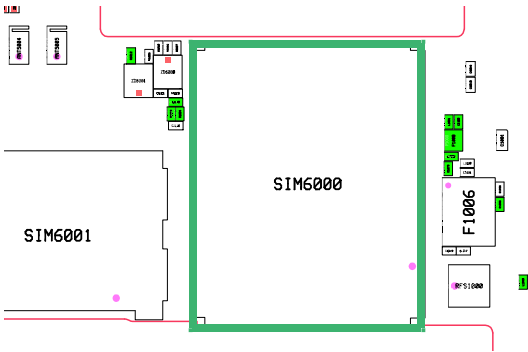
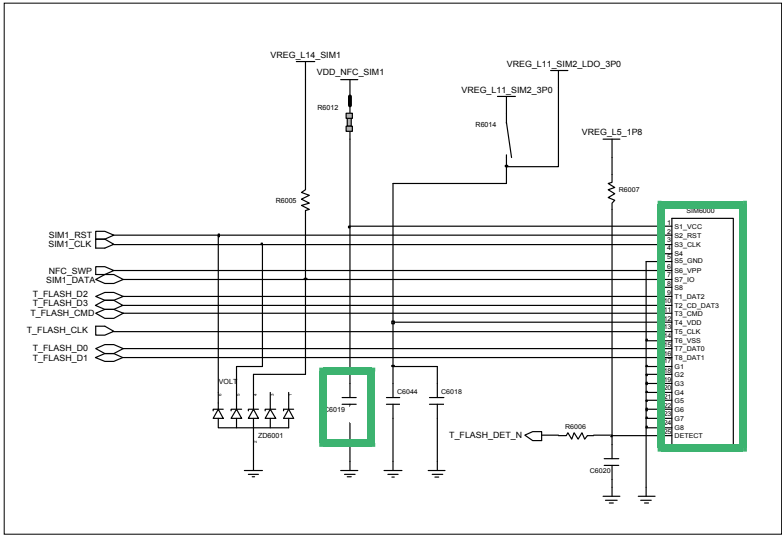
8-4-3. No Service



※ Schemetic : Refer to the 8-4-2 (Initial)

8-4-4. Sim Part - Sim Card 1

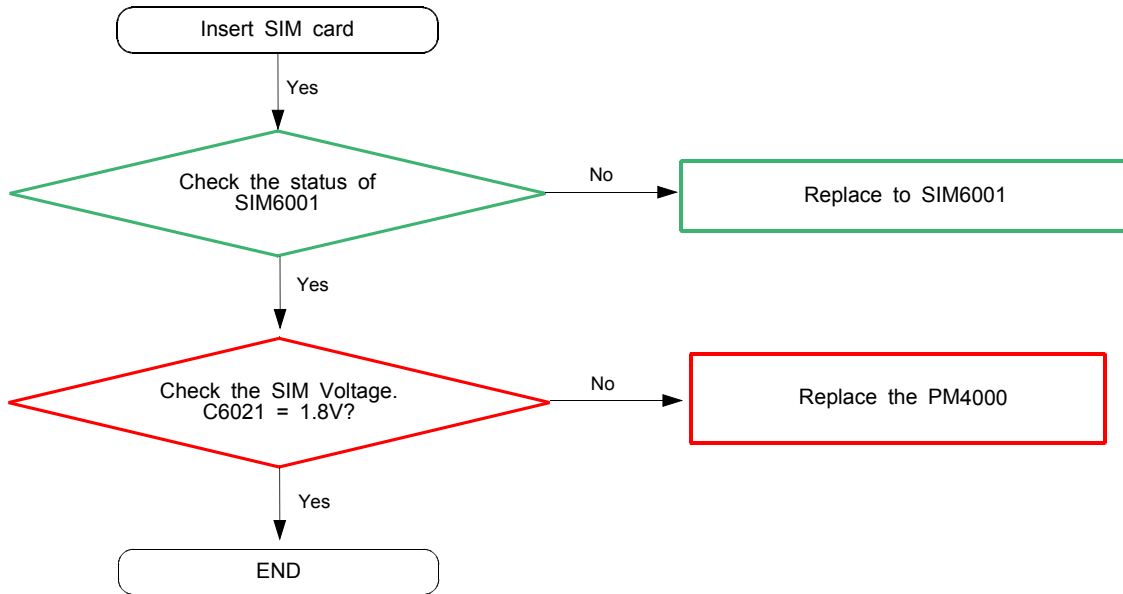


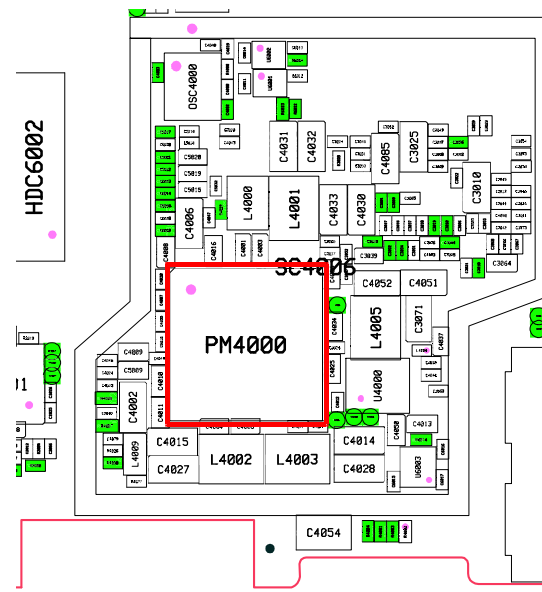
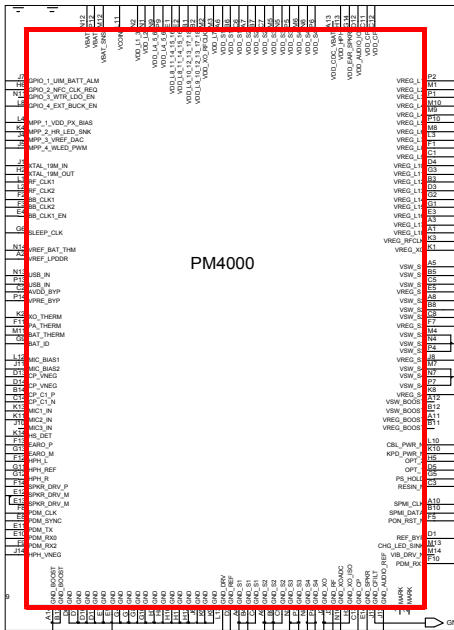
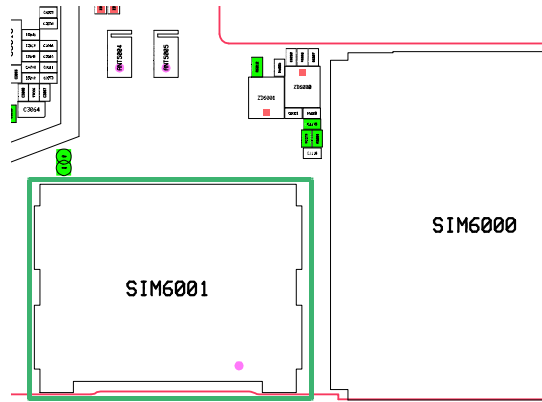
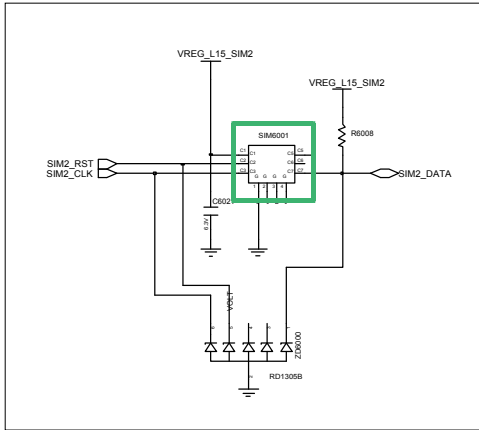


Confidential and proprietary-the contents in this service guide subject to change without prior notice.

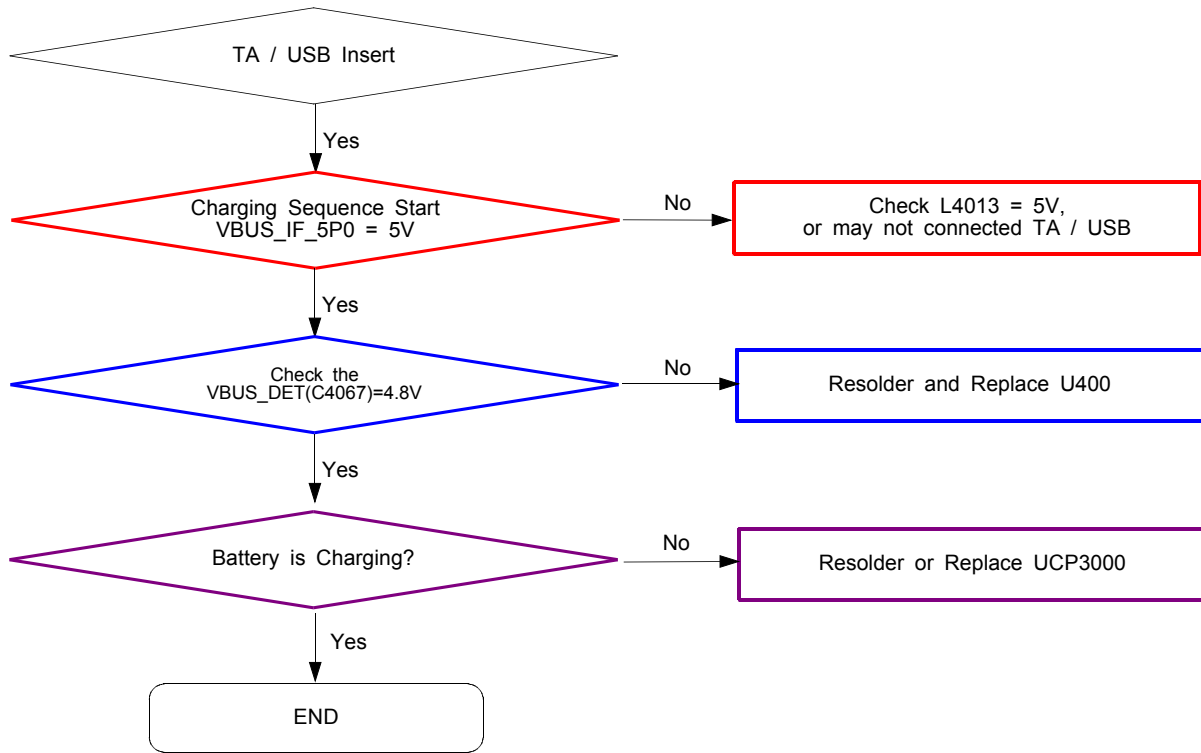
Distribution, transmission, or infringement of any content or data from this document without Samsung's written authorization is strictly prohibited.

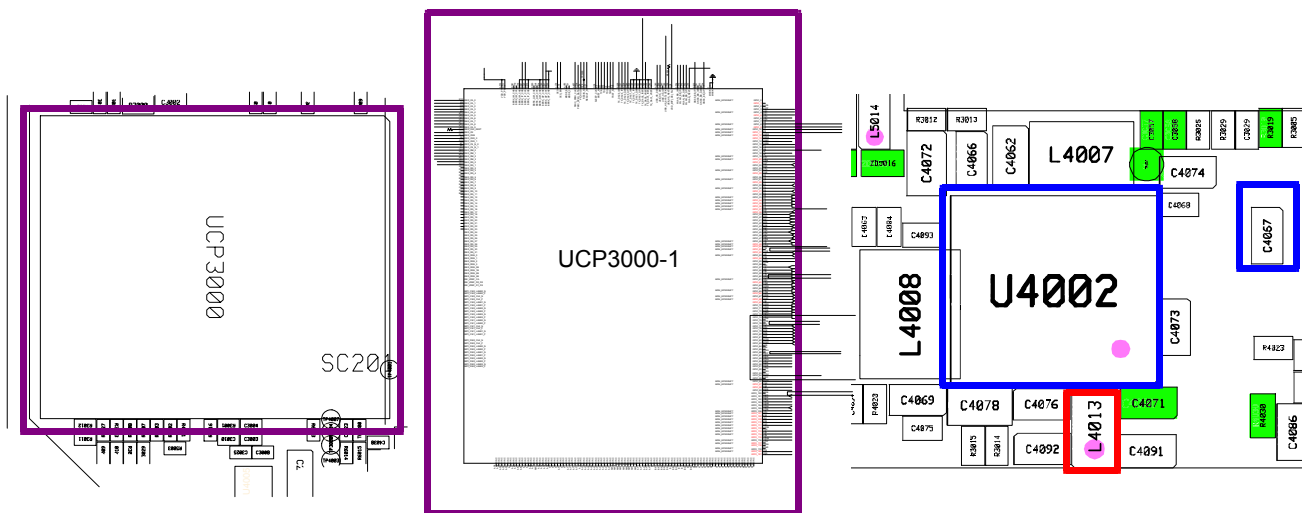
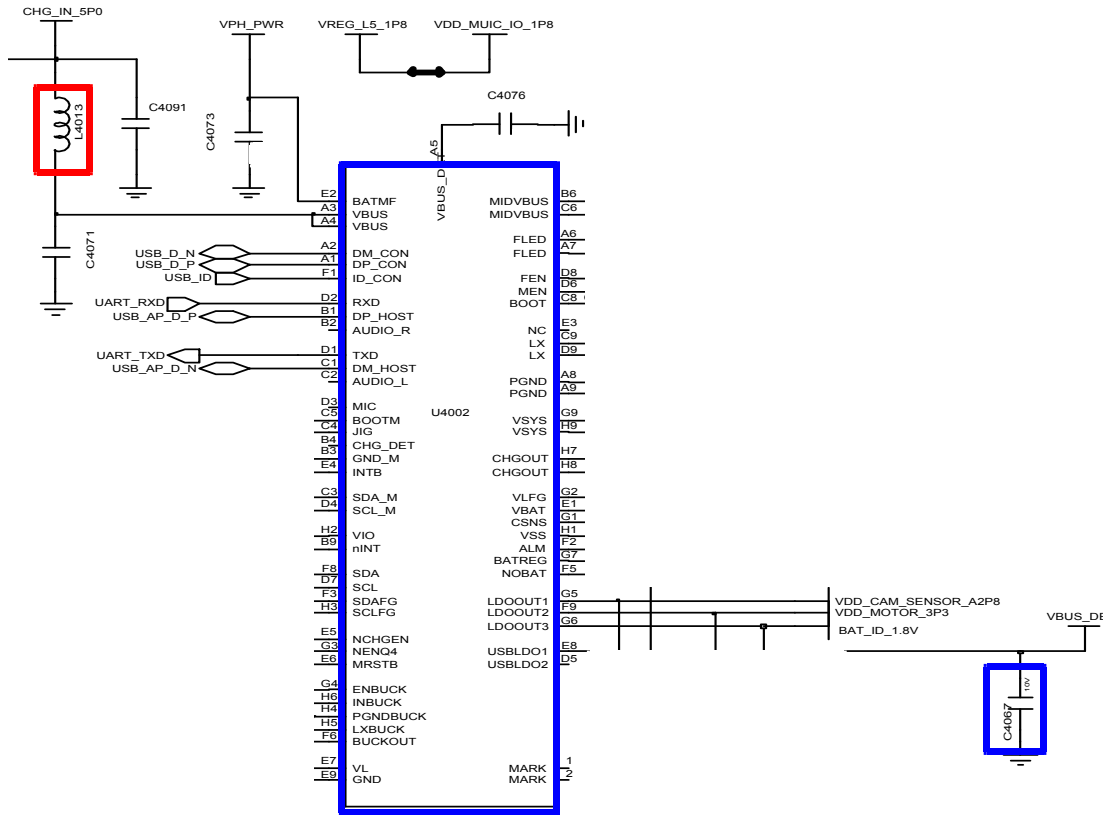
8-4-4. Sim Part - Sim Card 2



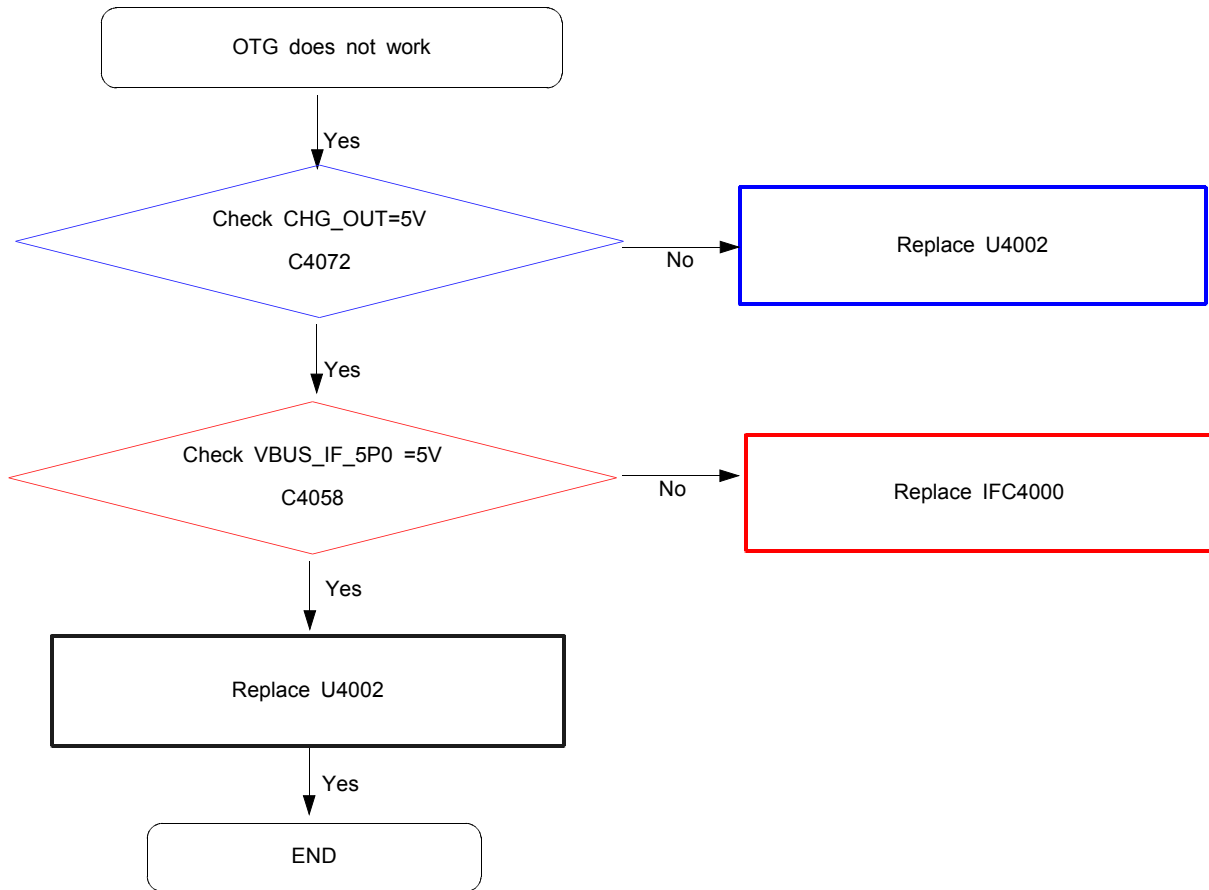


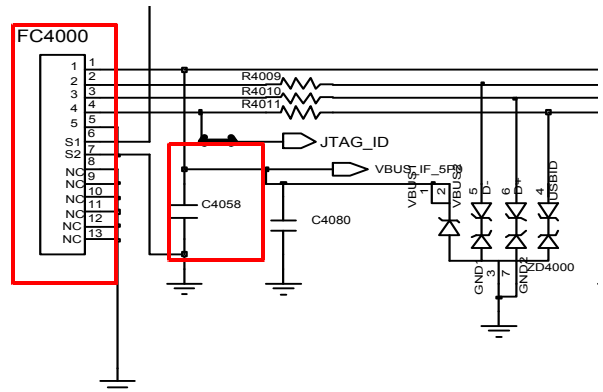
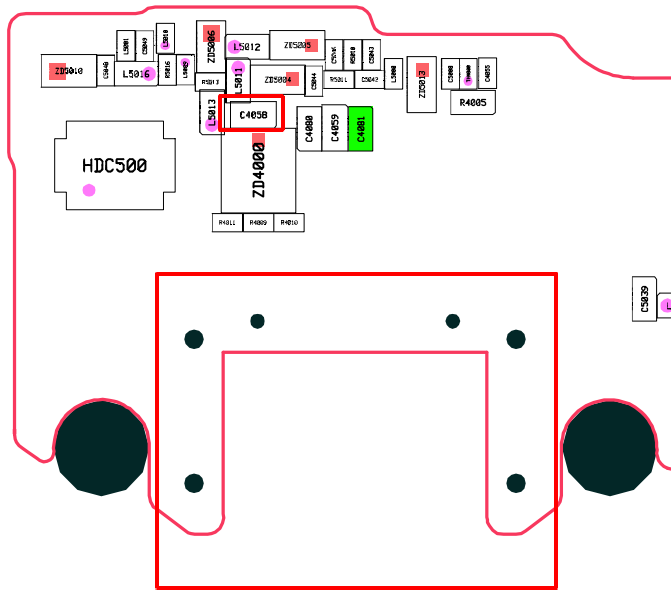
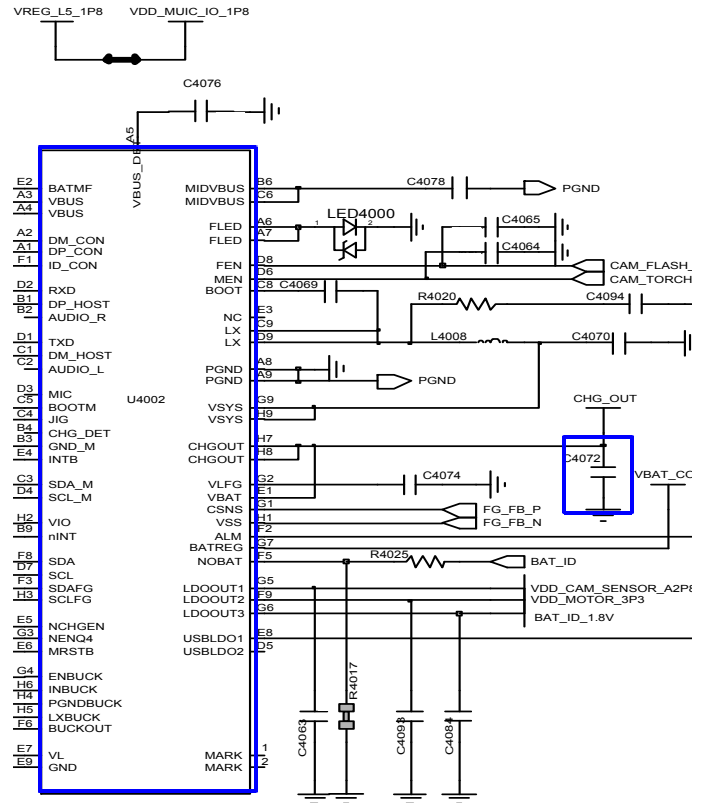
8-4-5. Charging Part



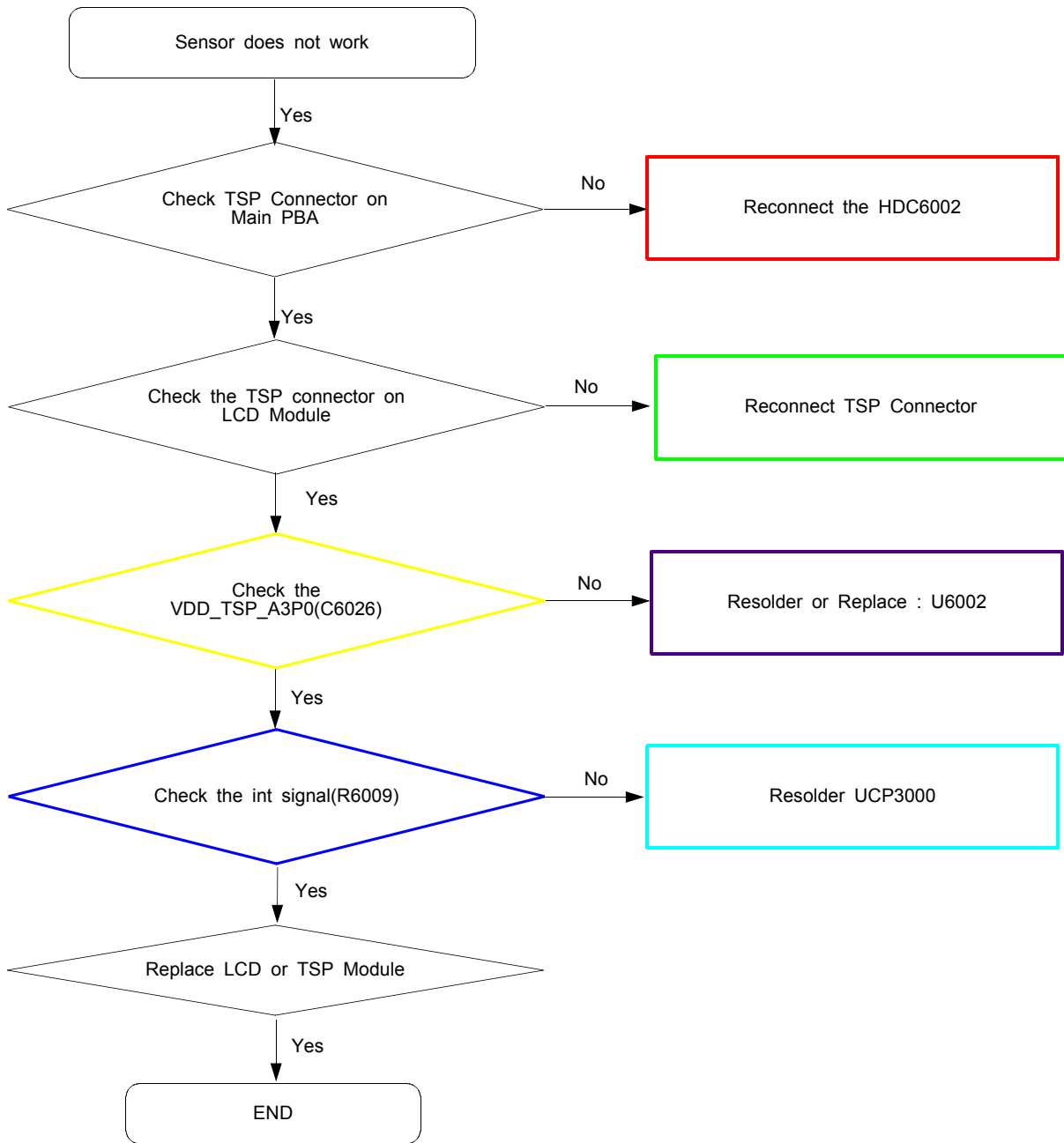


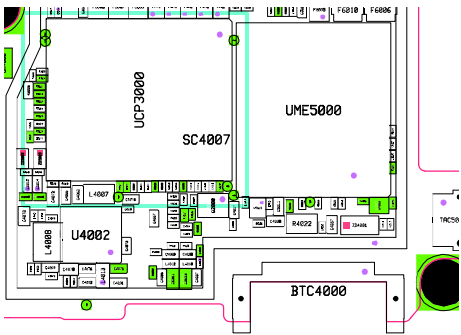
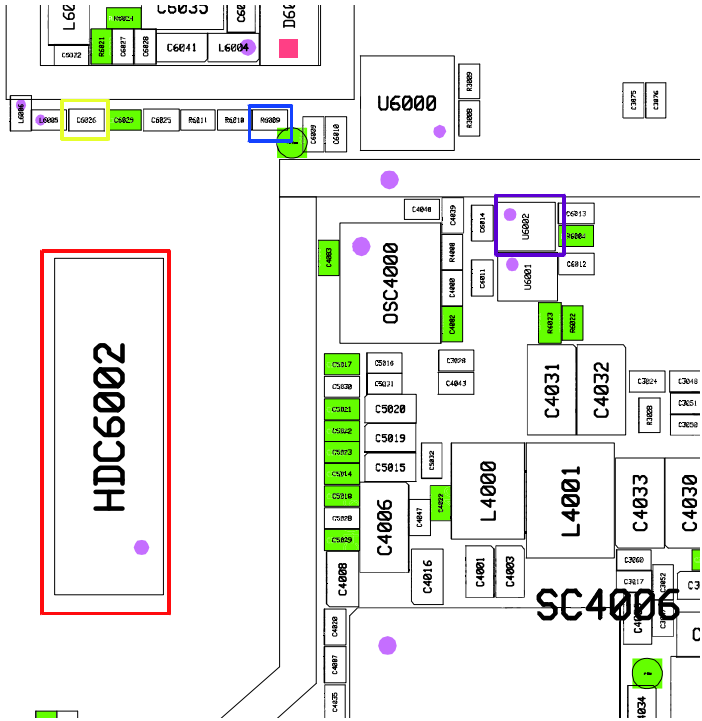
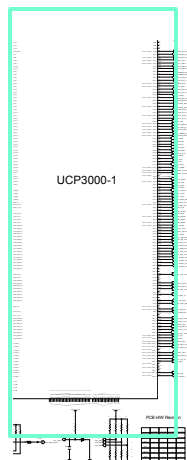
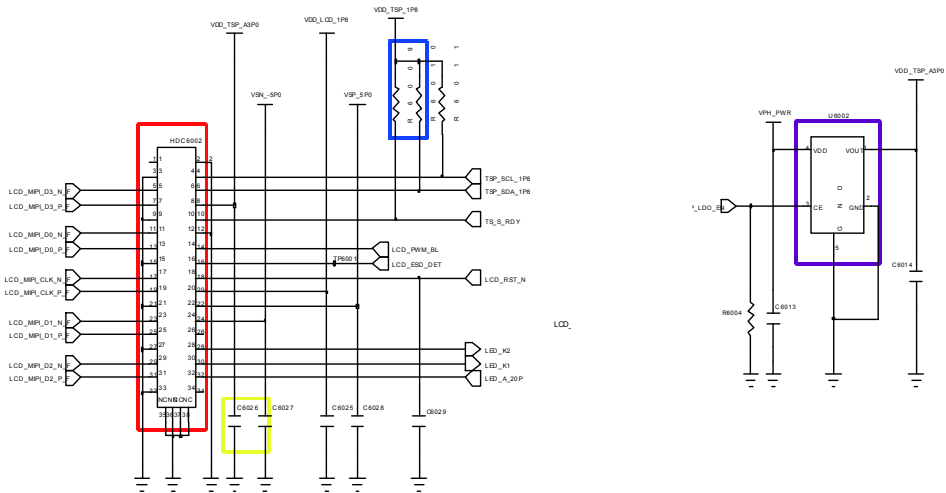
8-4-6. OTG



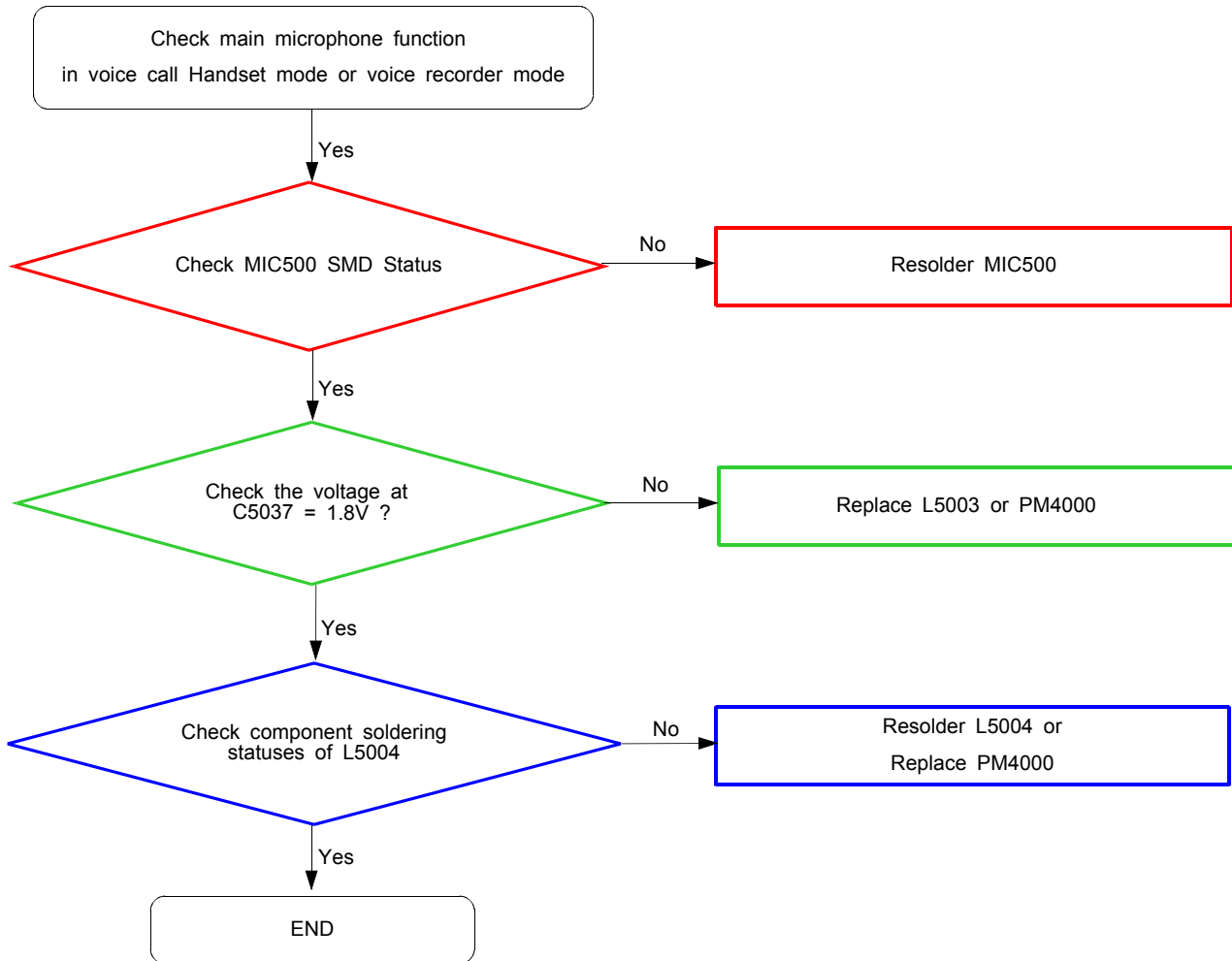


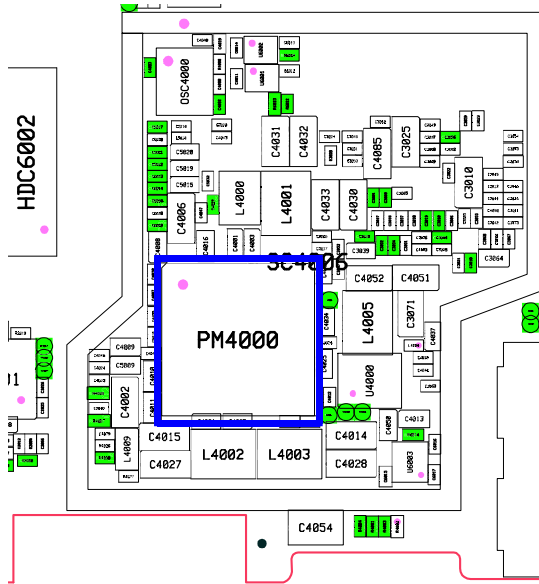
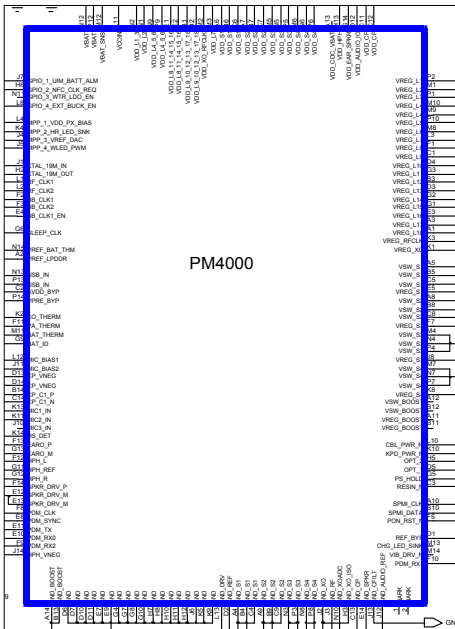
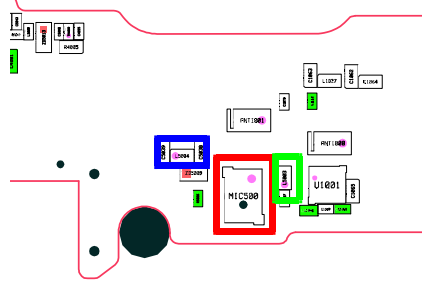
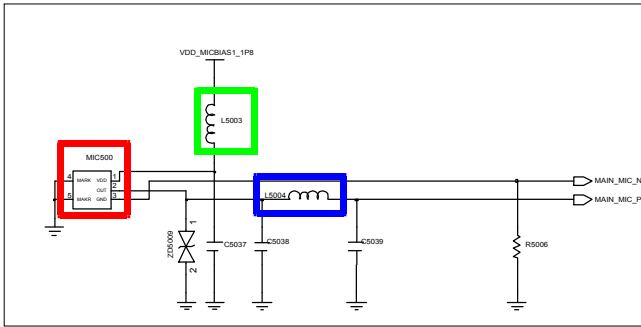
8-4-7. Proxy Sensor



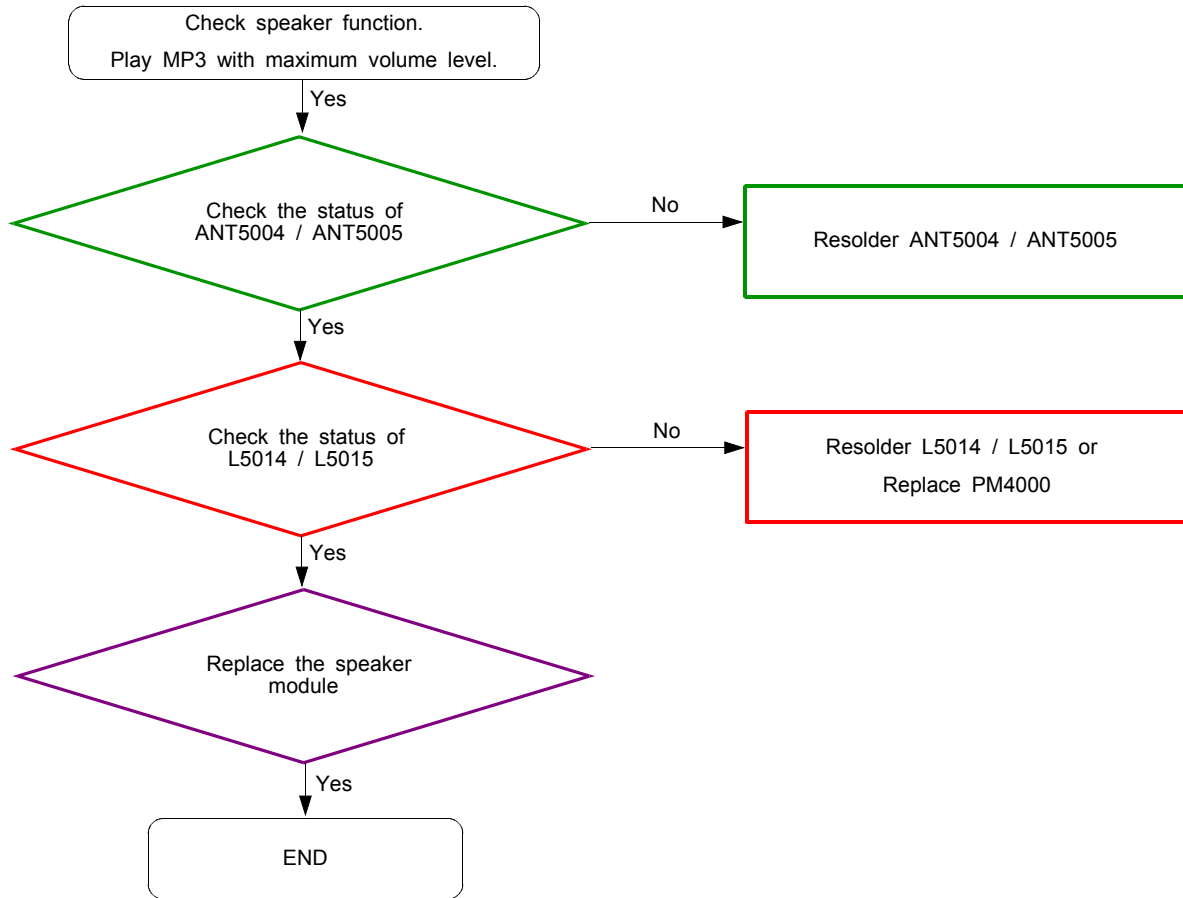


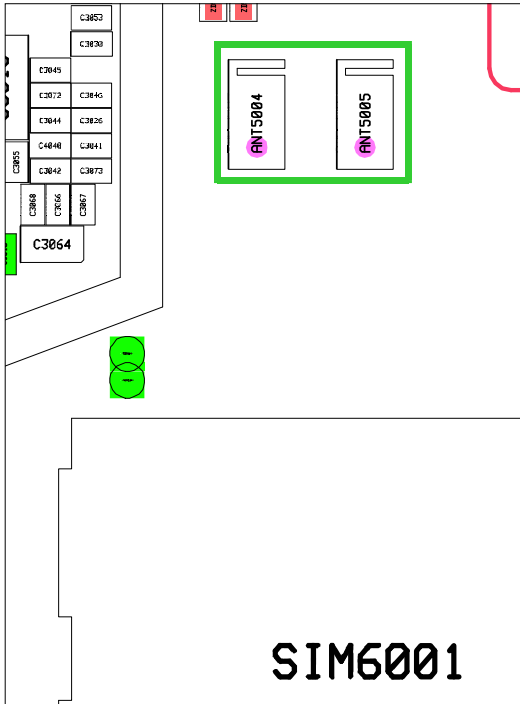
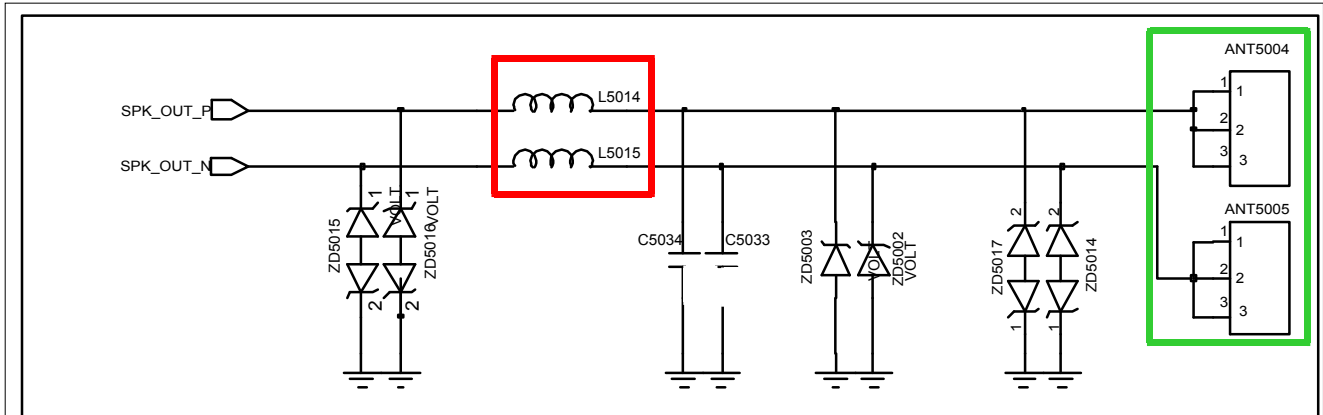
8-4-8 Microphone Part - Main MIC



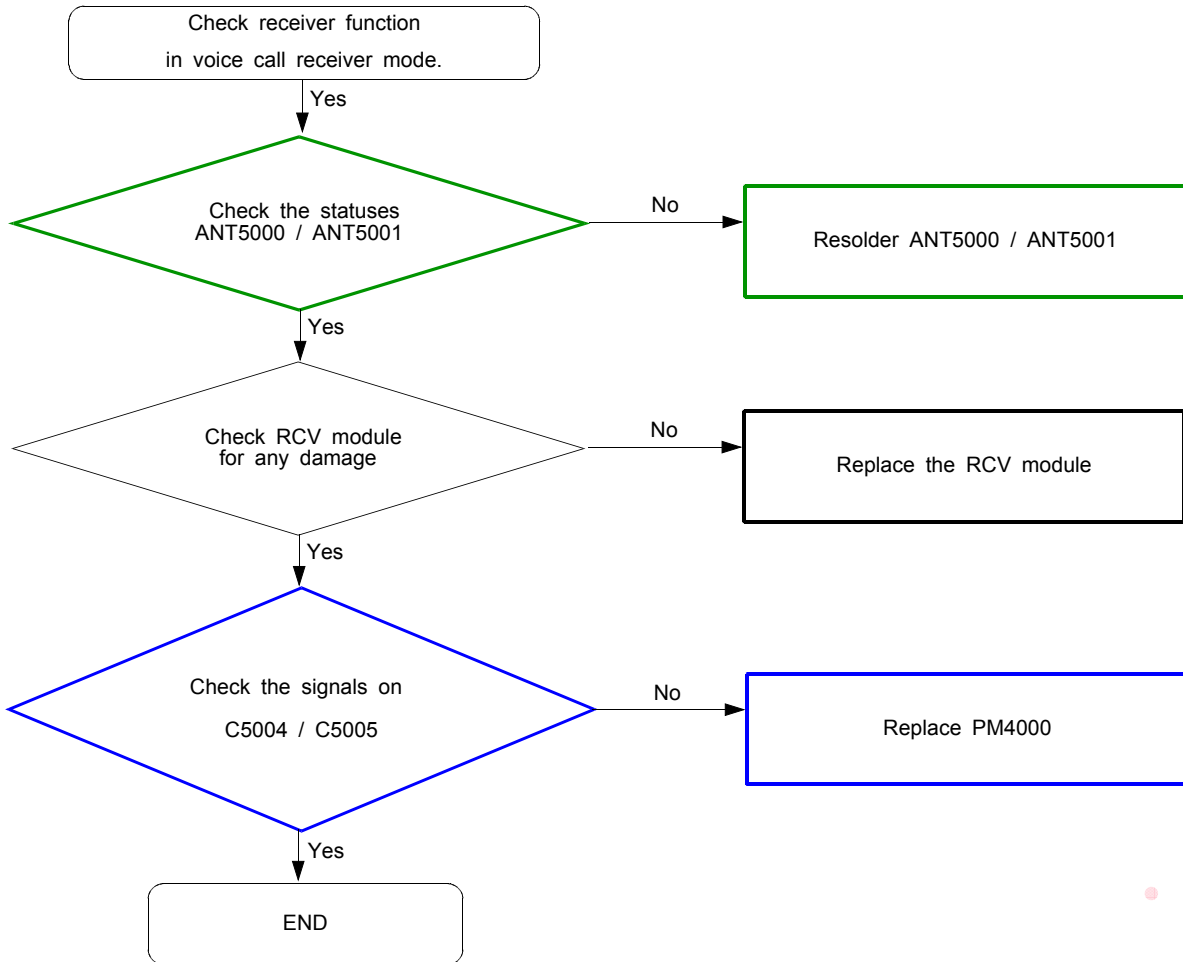


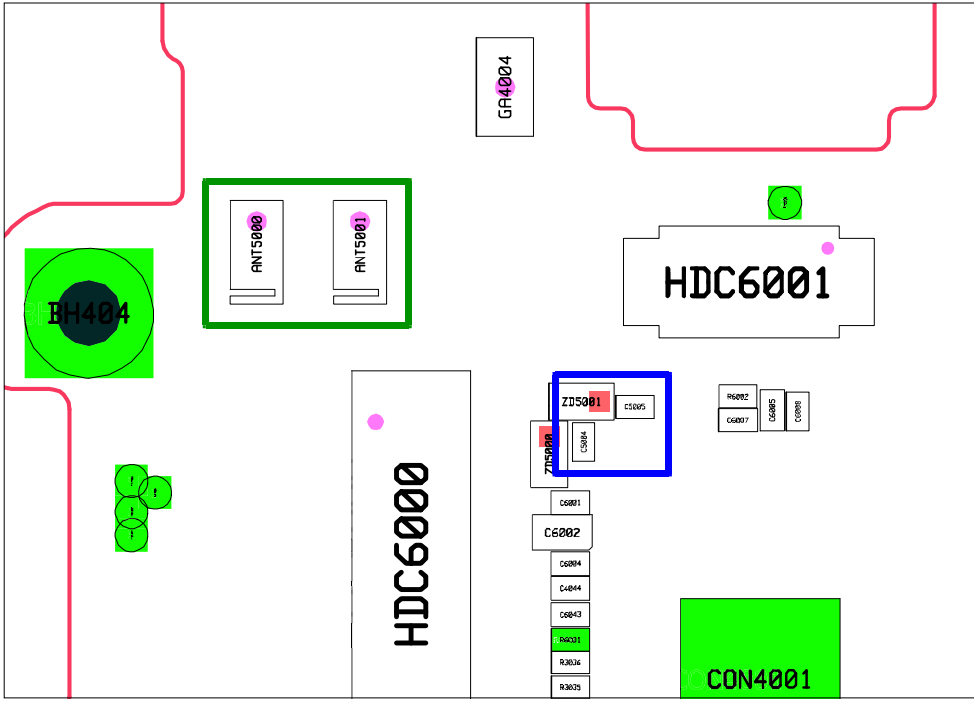
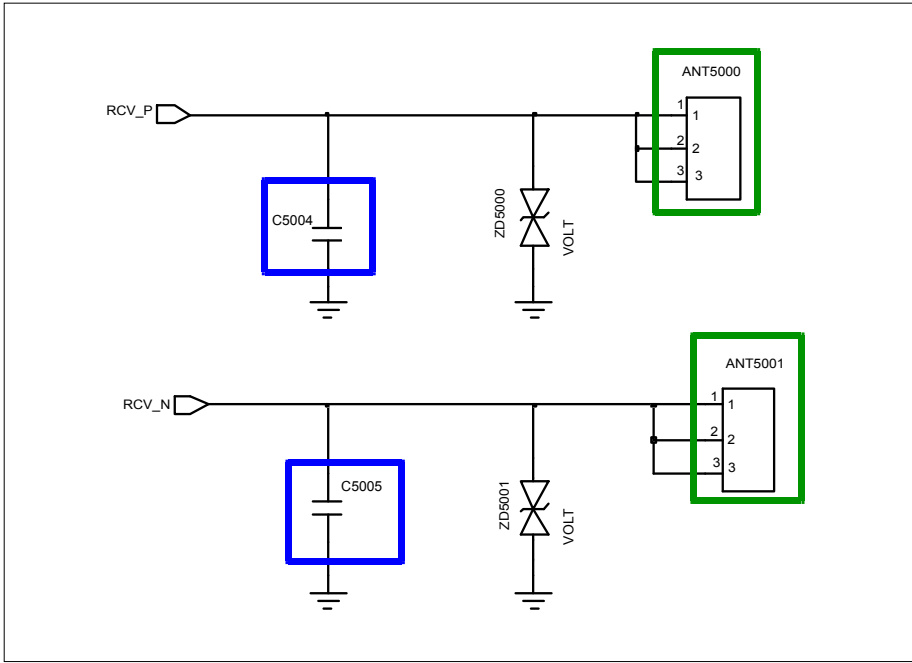
8-4-9. Speaker Part



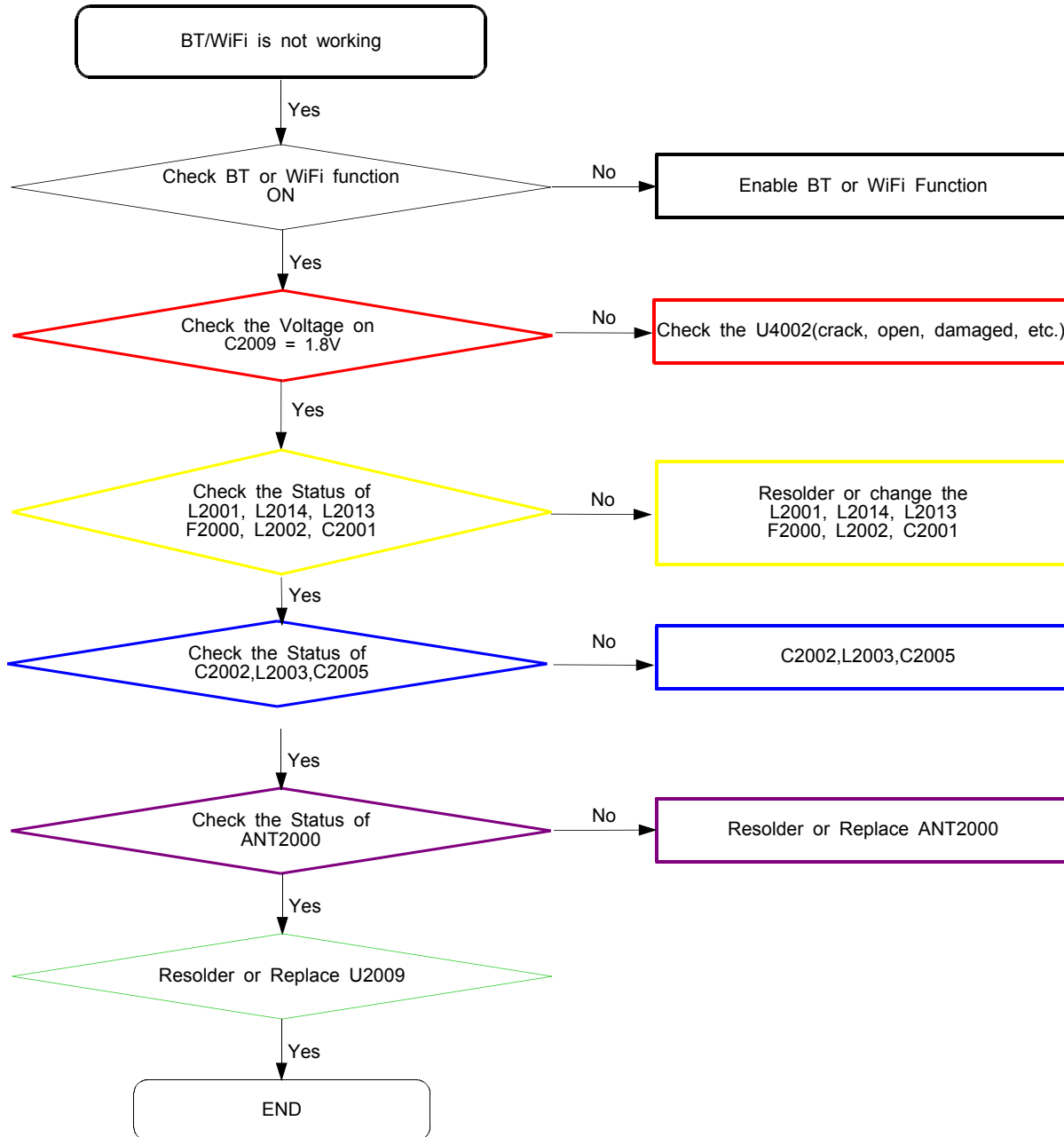


8-4-10. Receiver Part

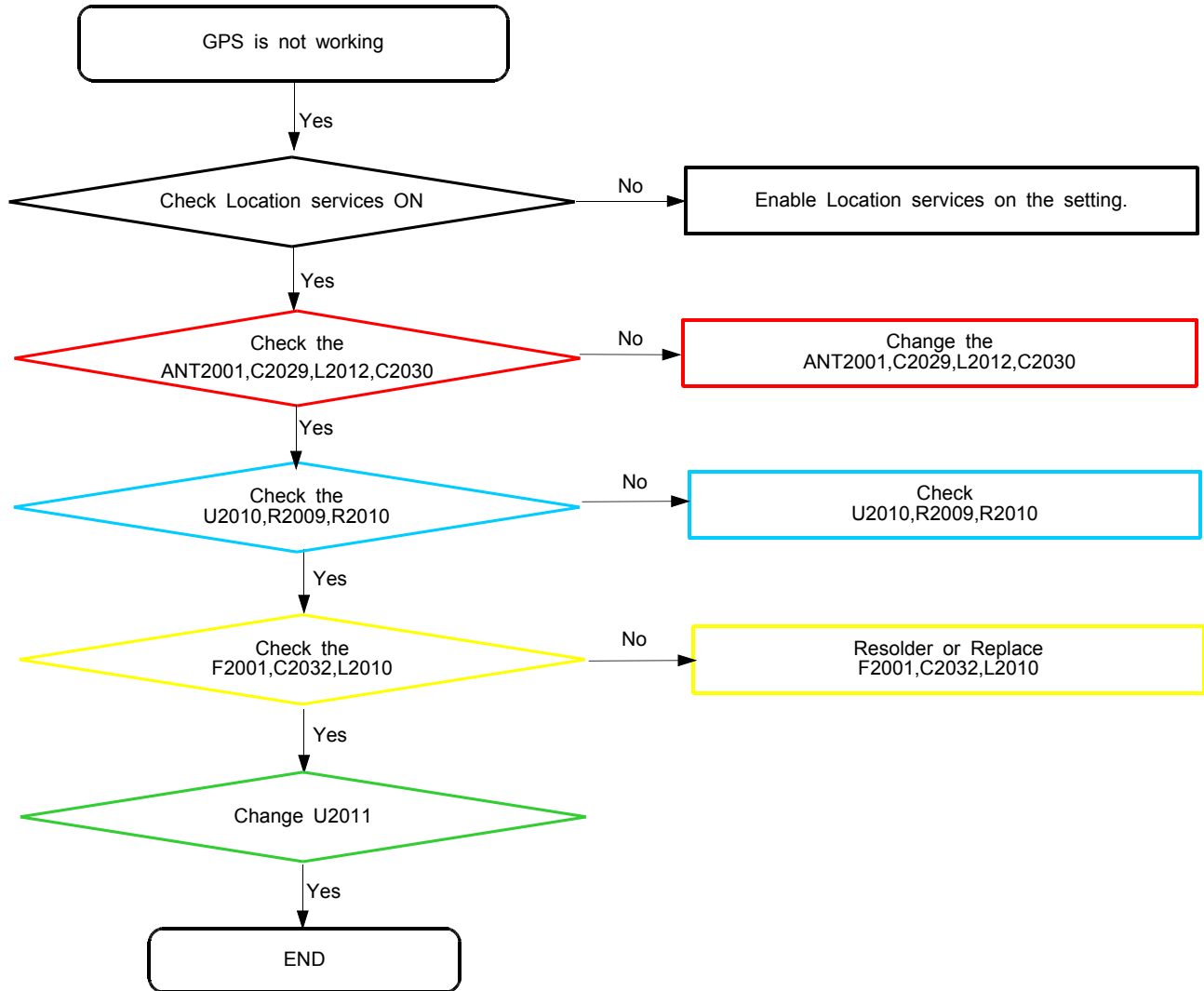


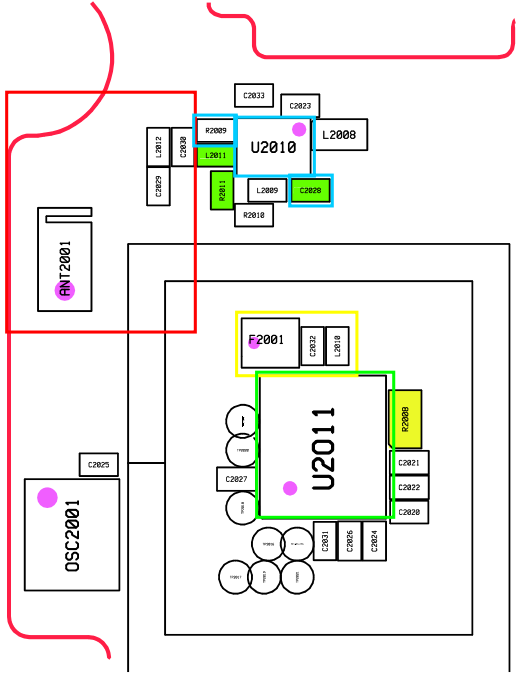
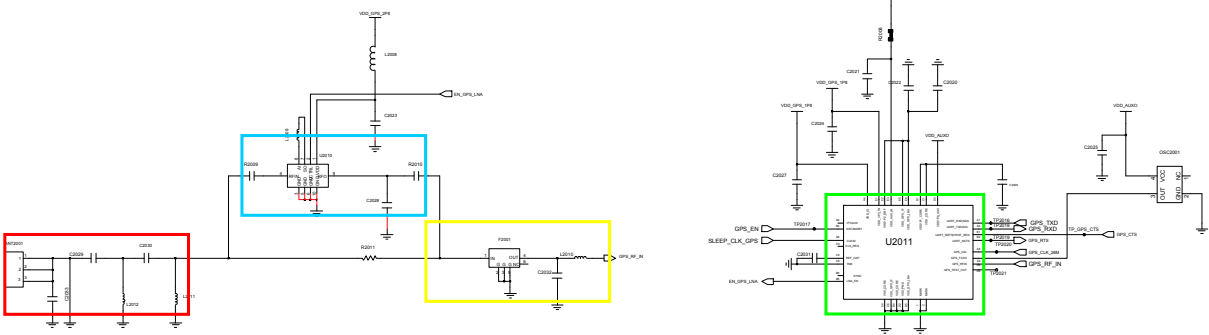


8-4-11. BT/WIFI

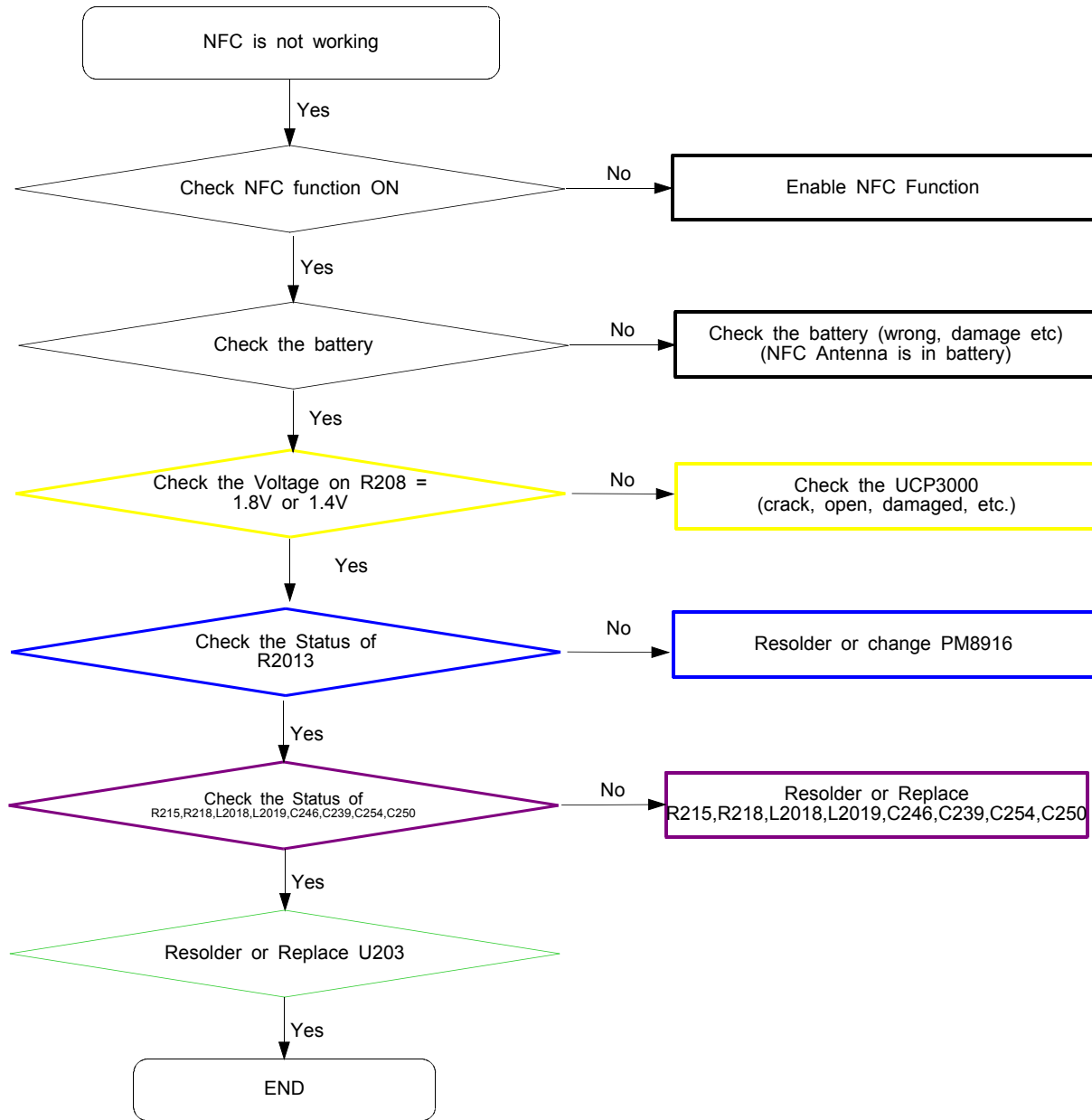


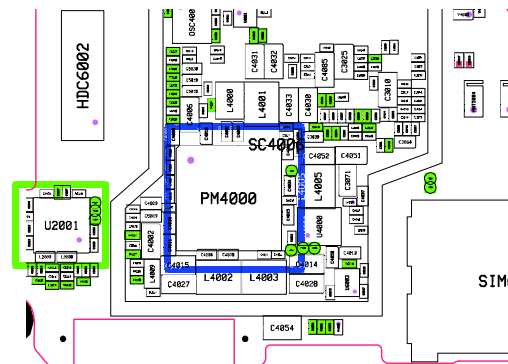
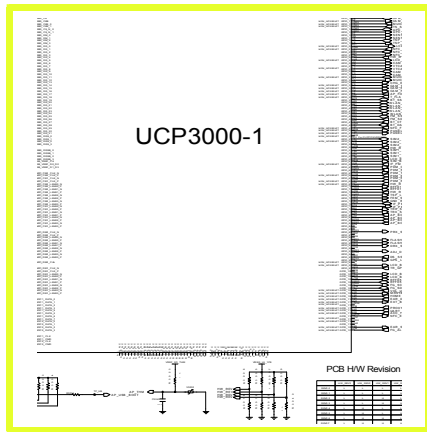
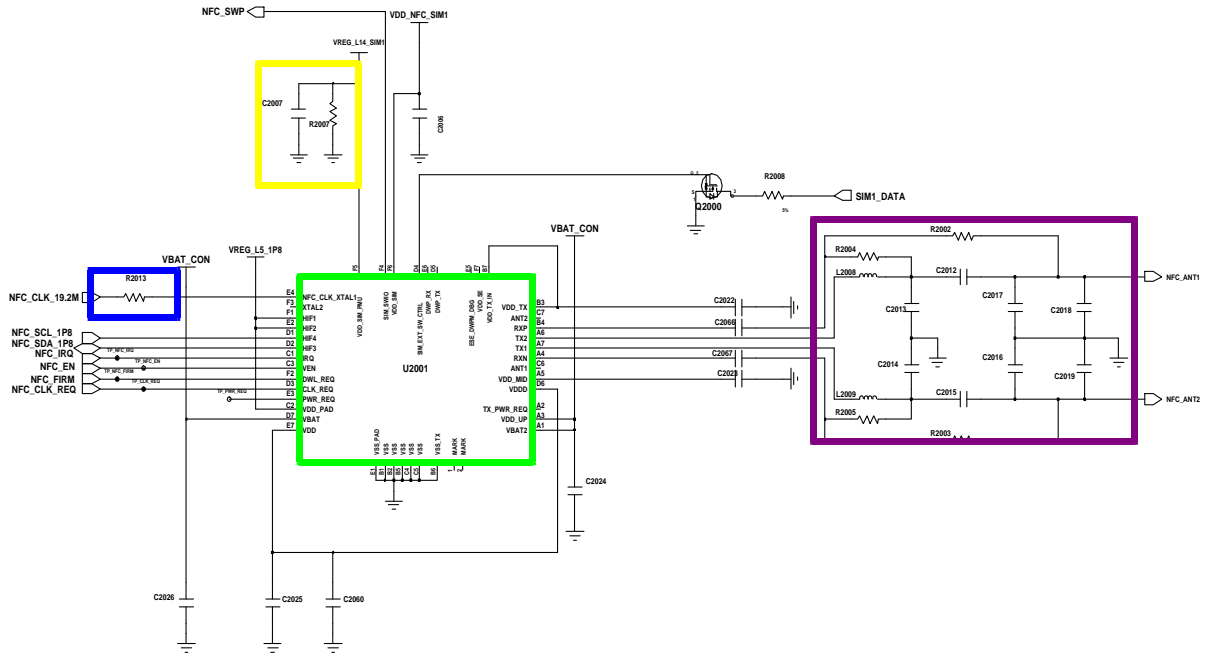
8-4-12. GPS



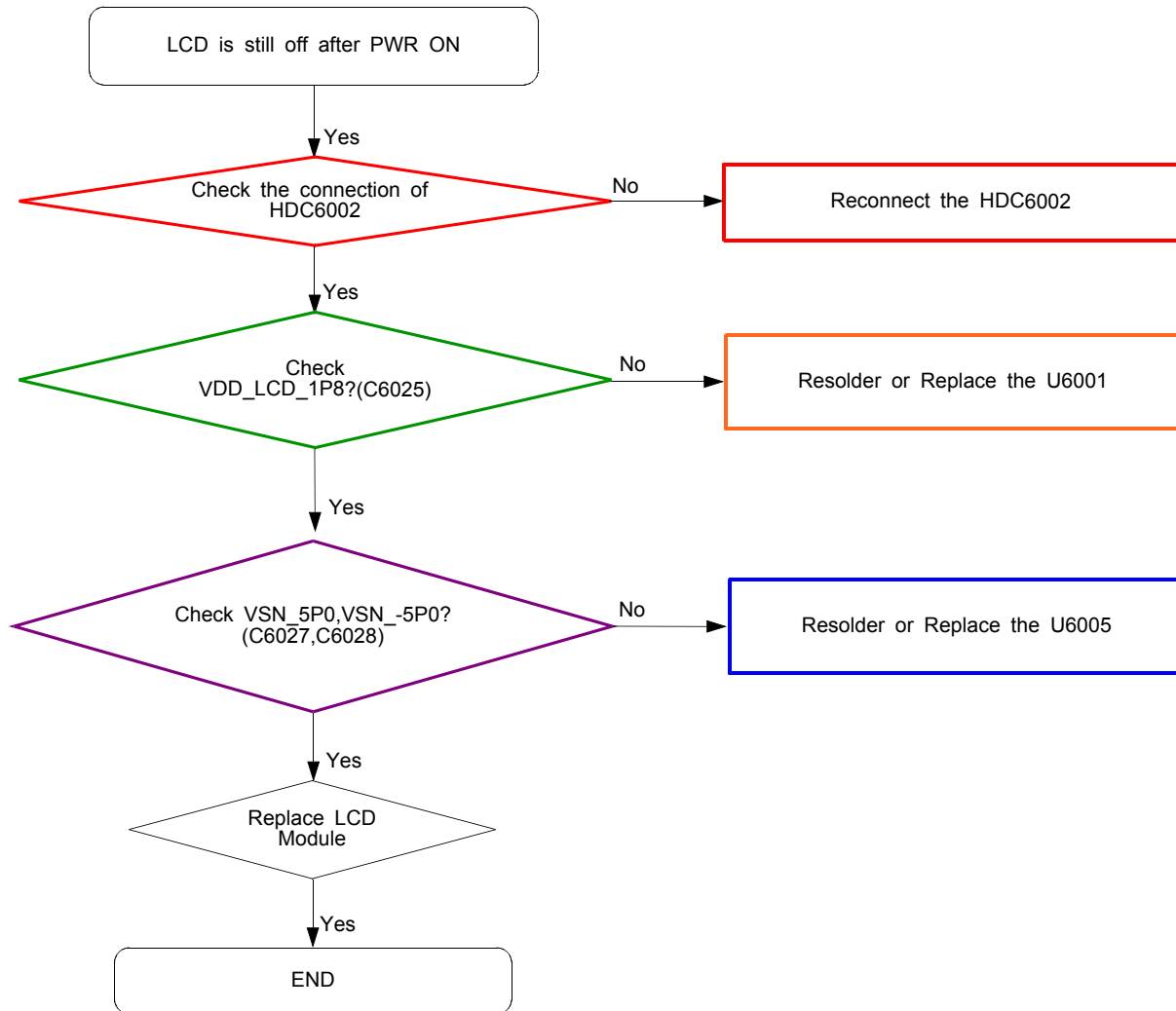


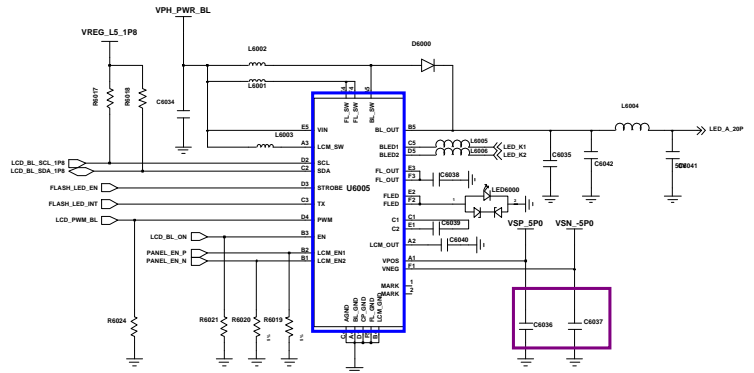
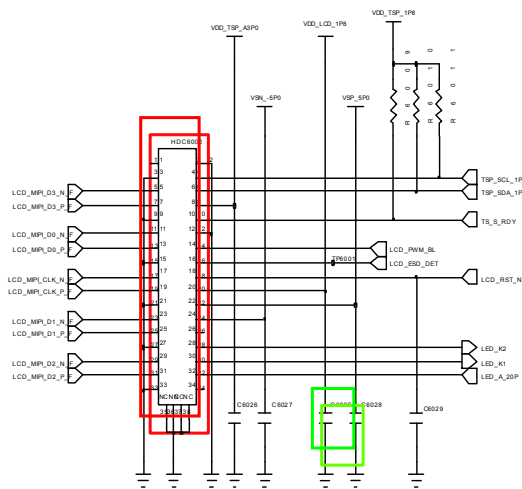
8-4-13. NFC



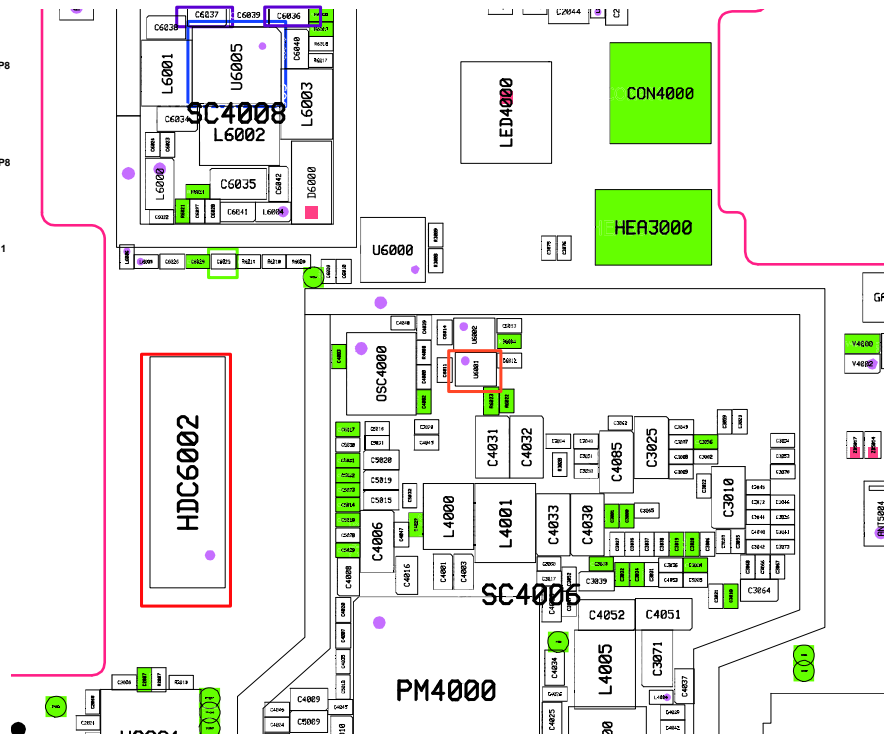
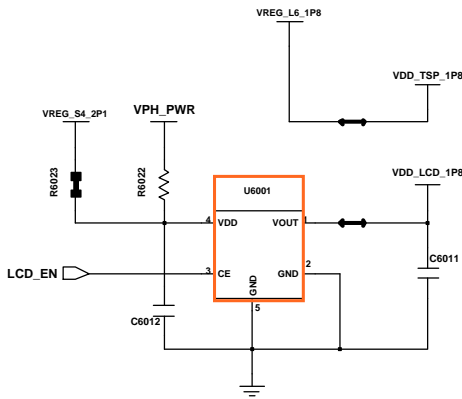


8-4-14. LCD

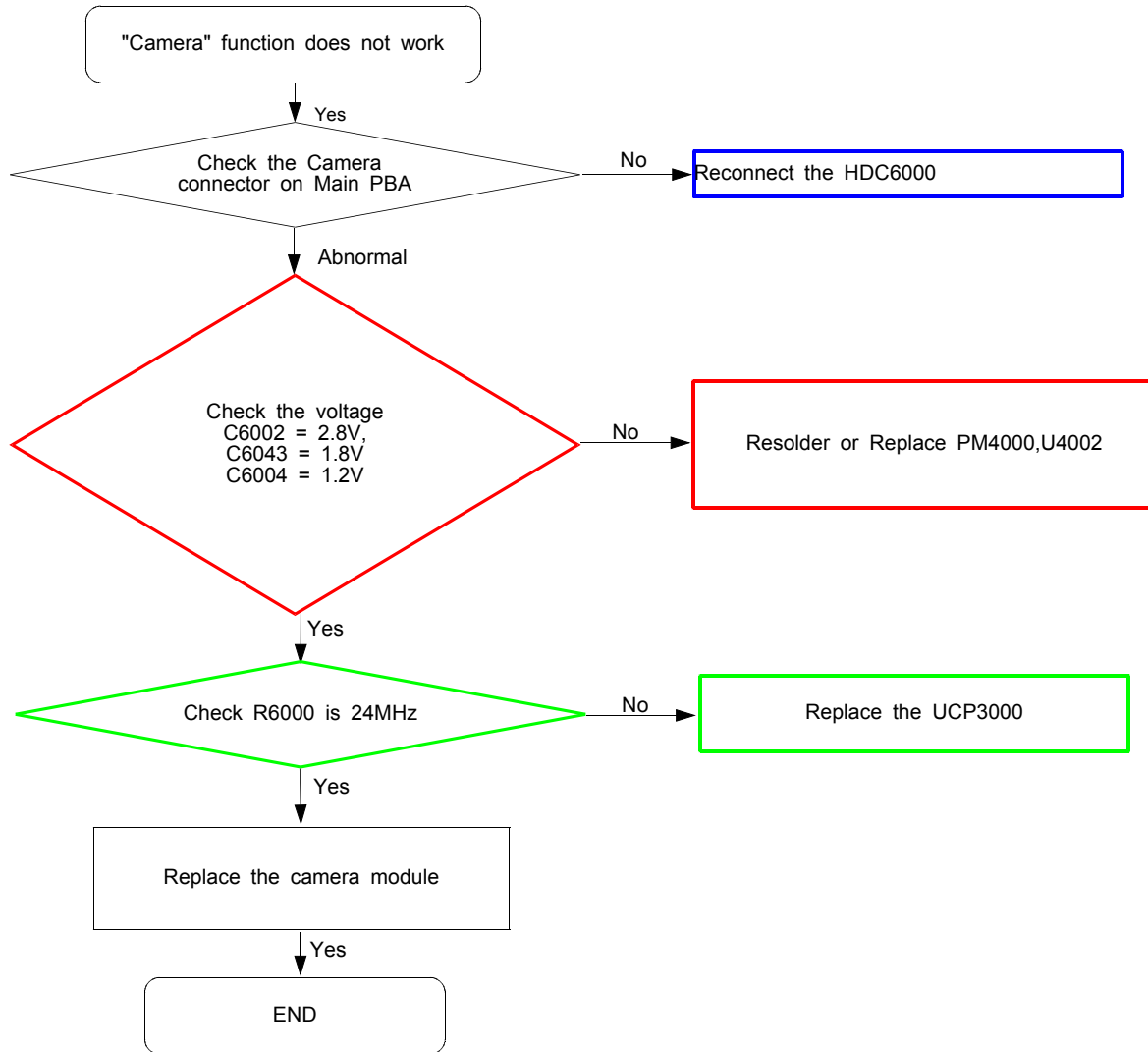


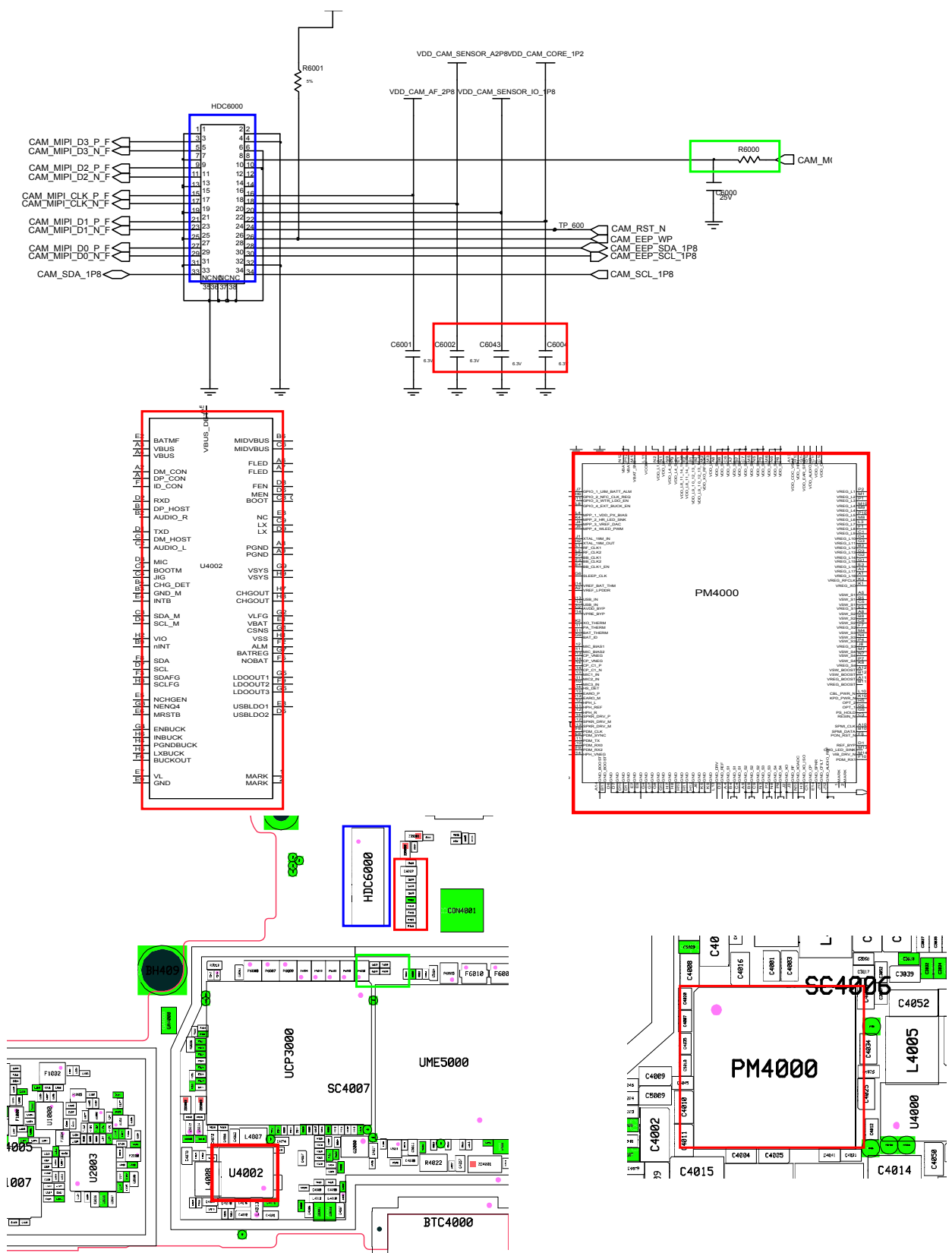


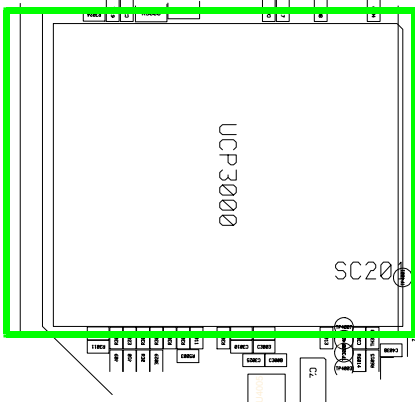
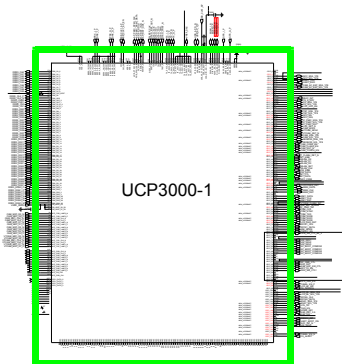
LCD B/L & Fron flash IC



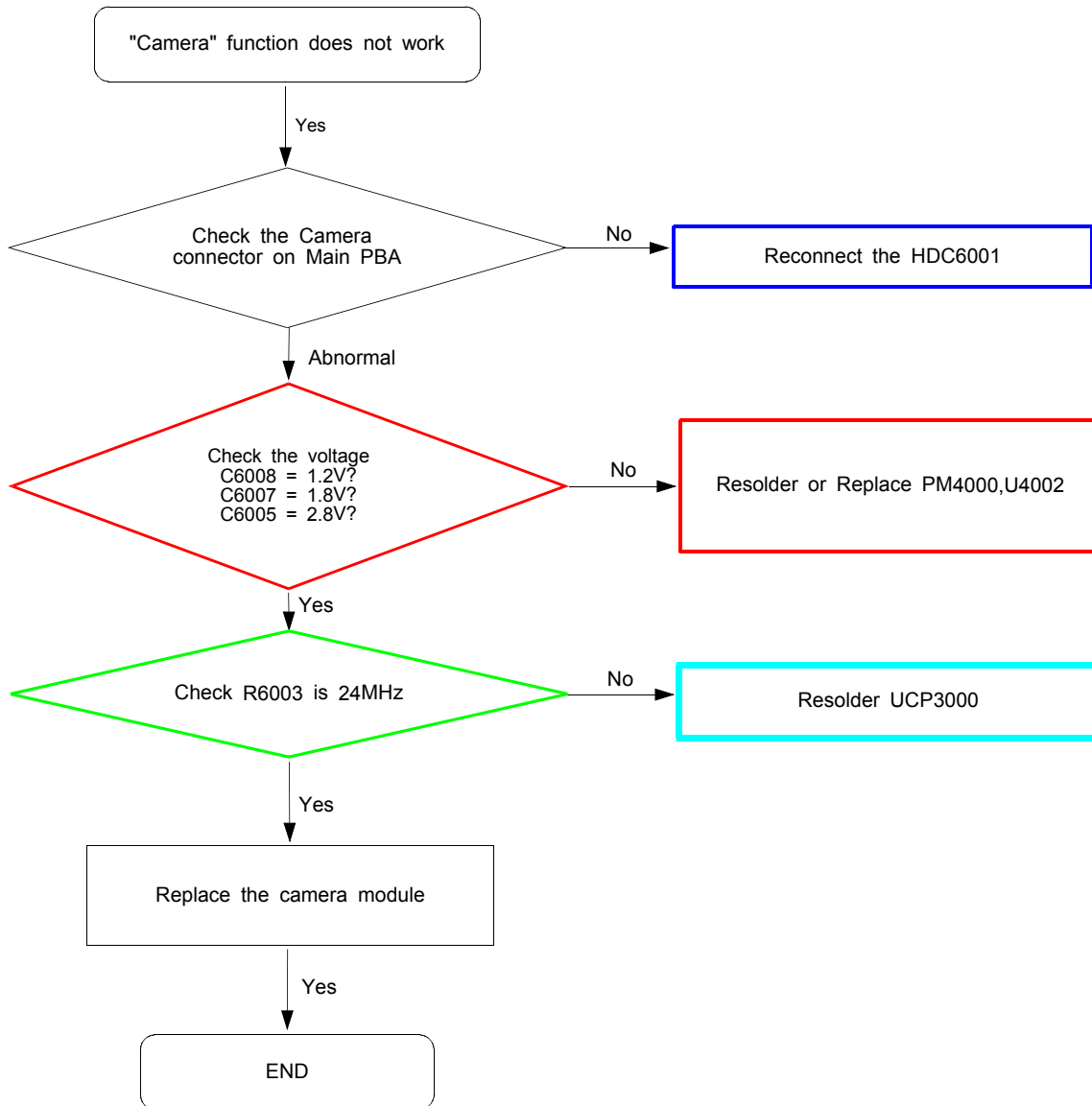
8-4-15. 13M CAM

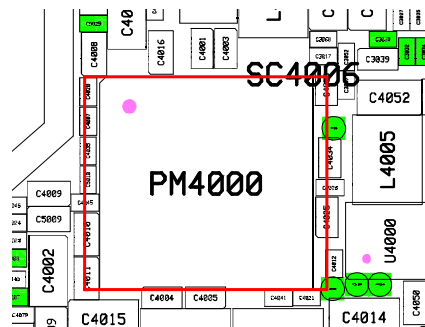
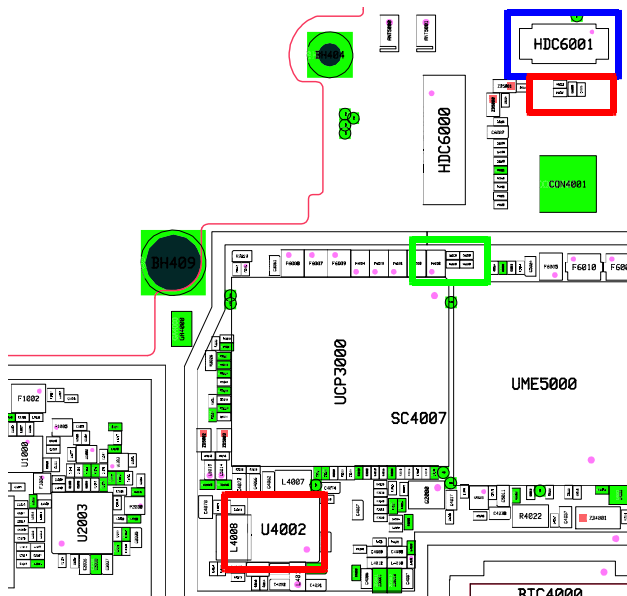
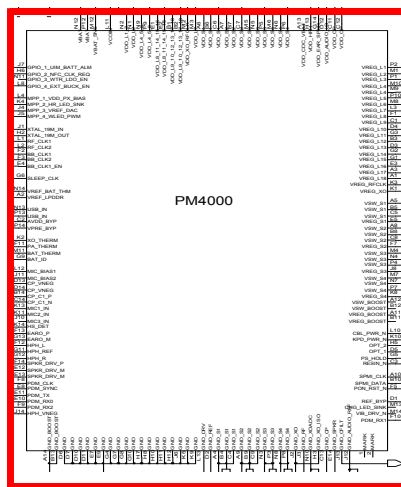
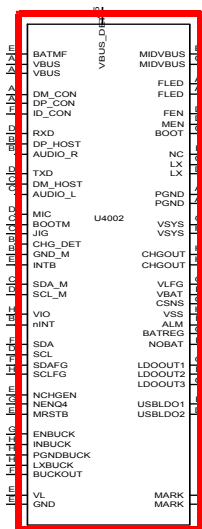
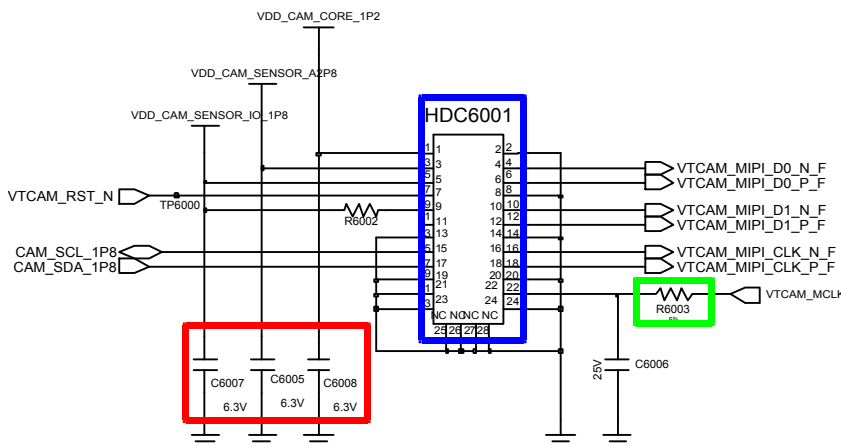


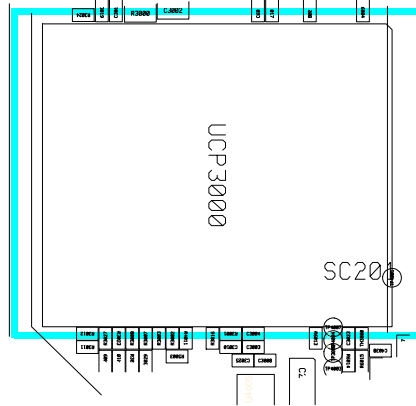
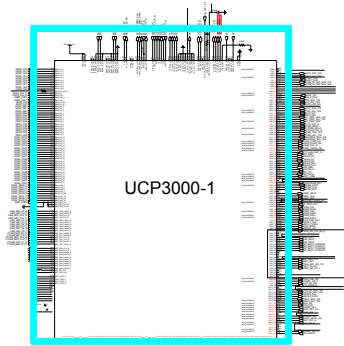




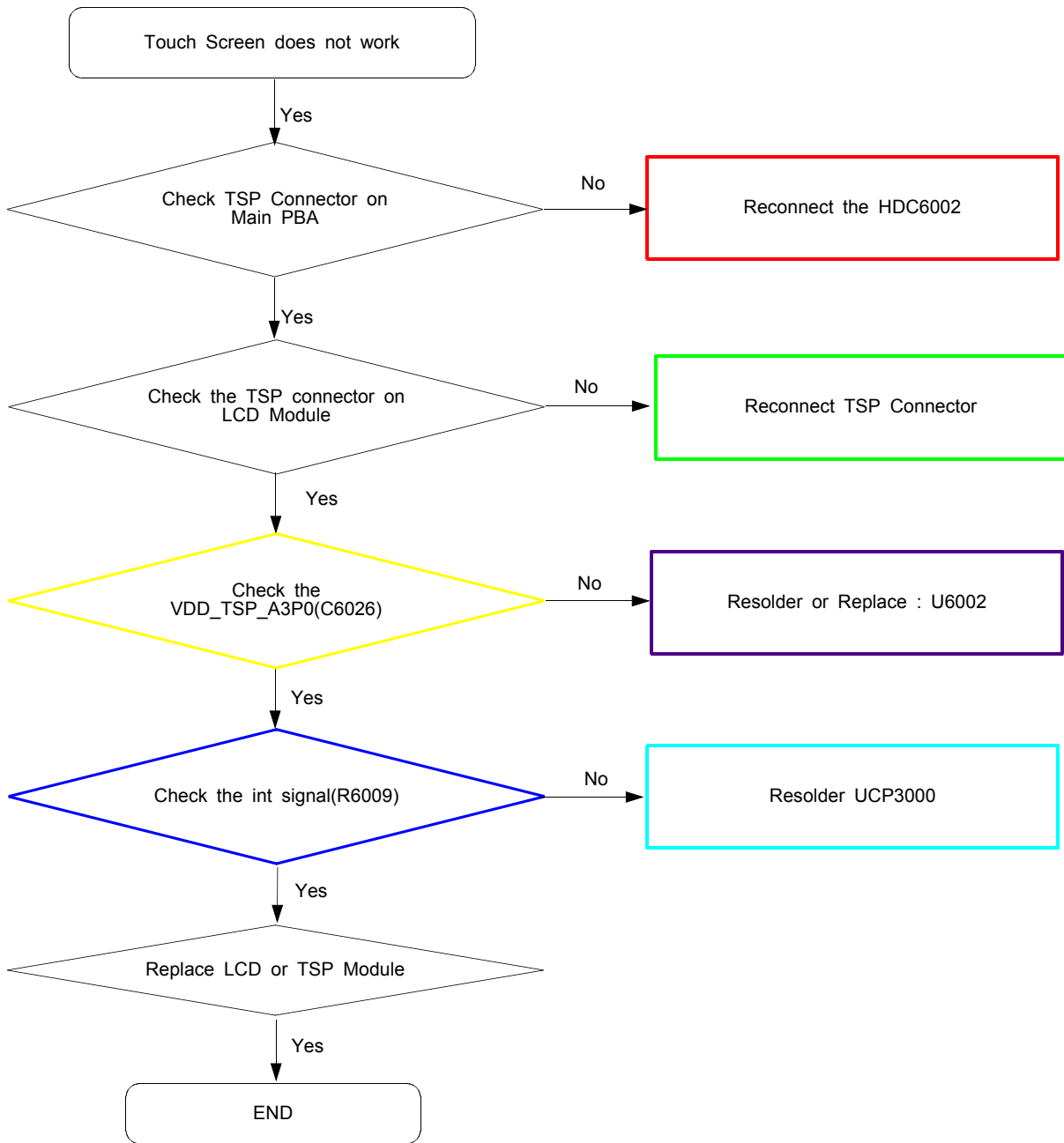
8-4-16. VT CAM

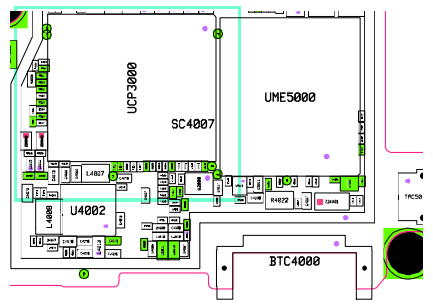
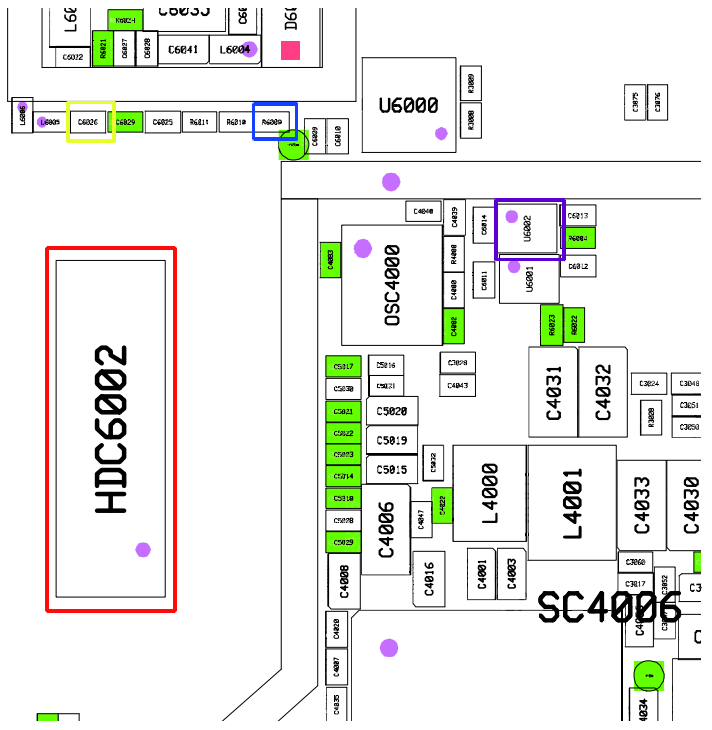
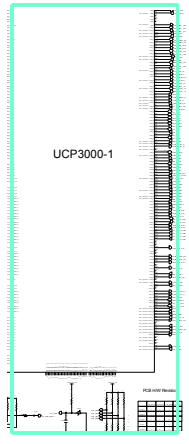
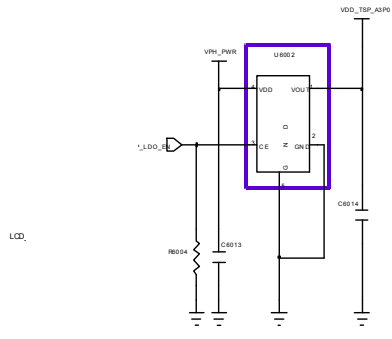
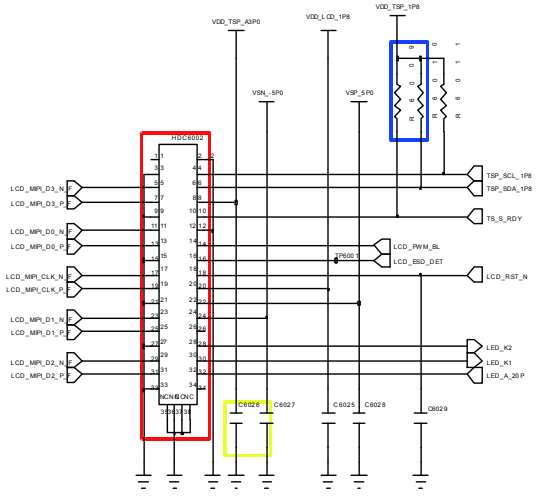


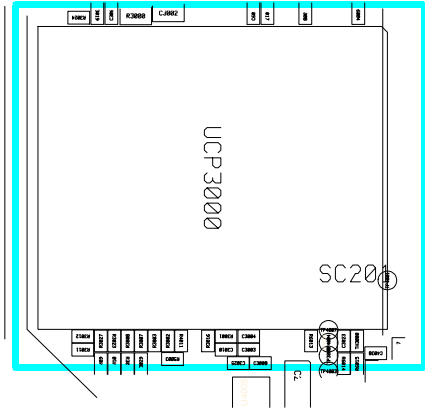
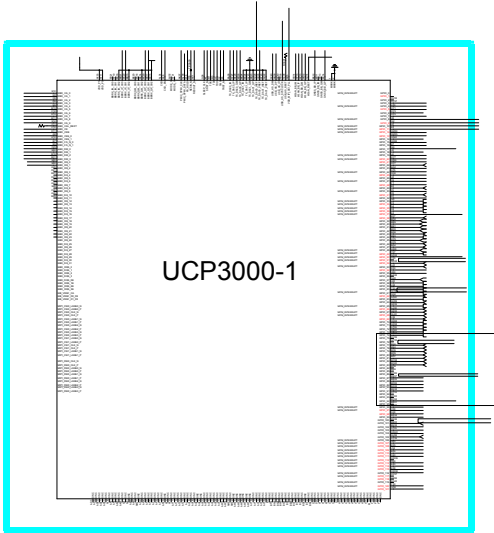




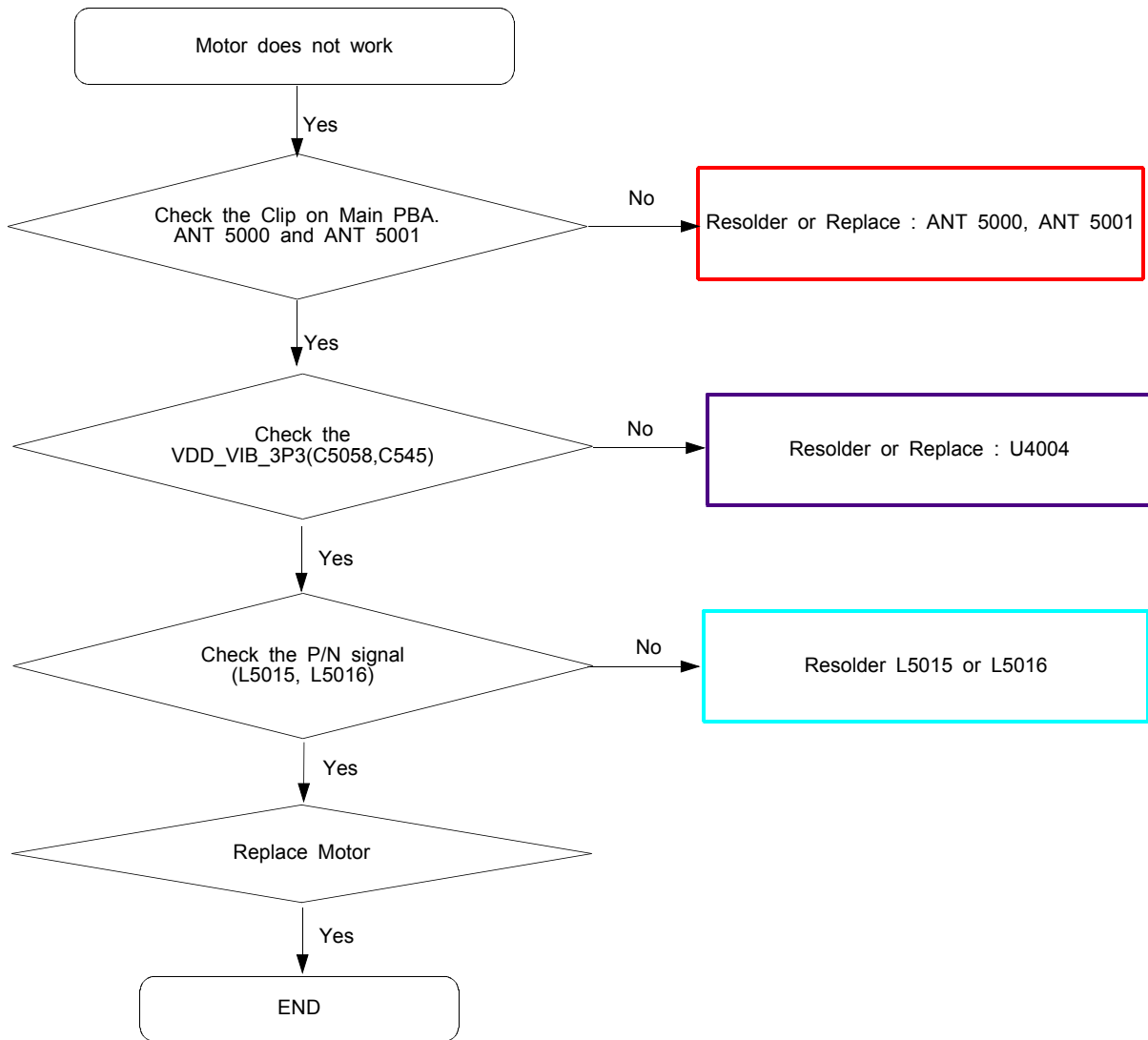
8-4-17. TSP

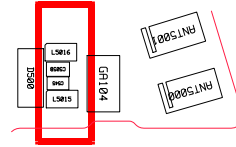
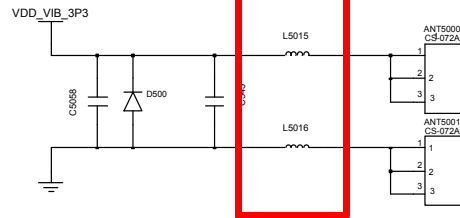
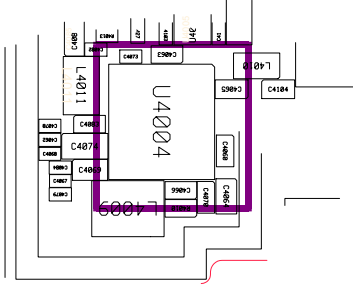
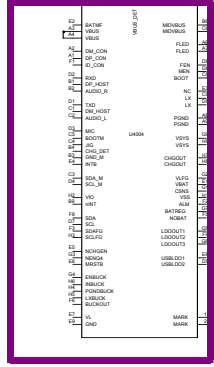




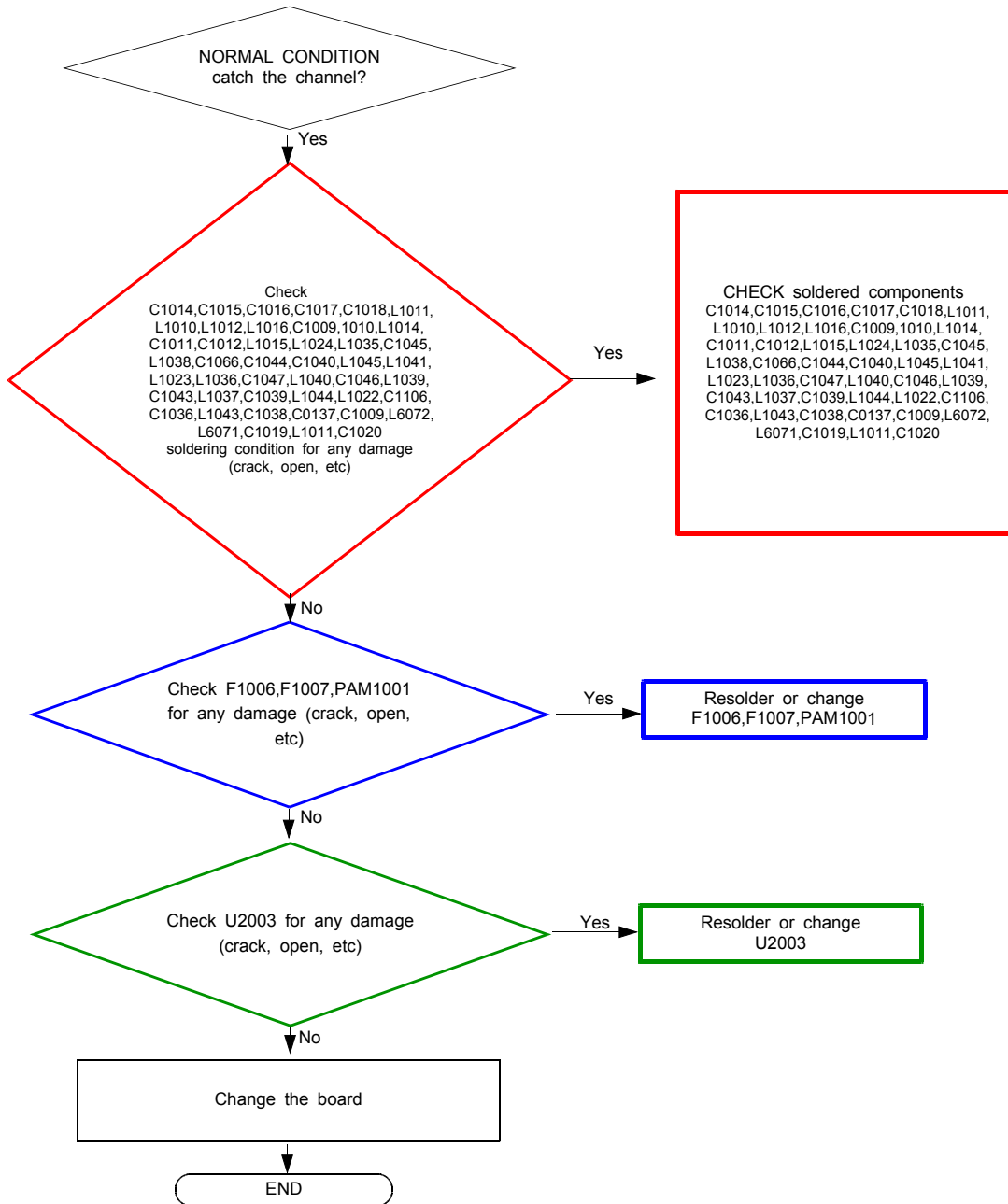


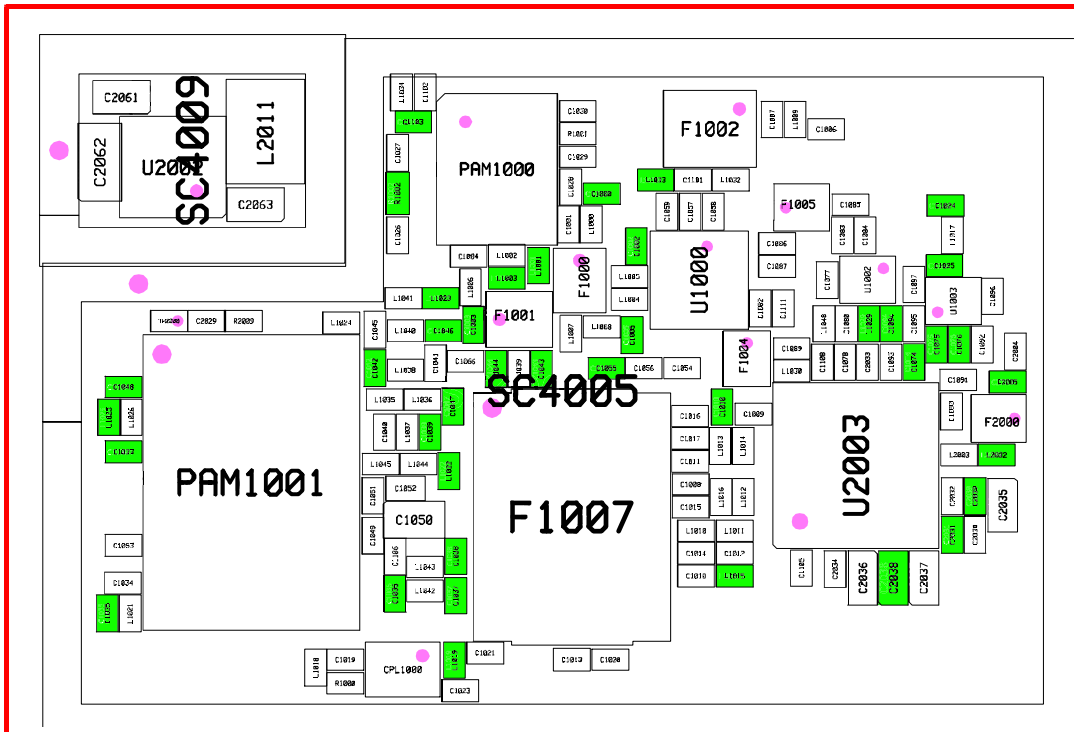
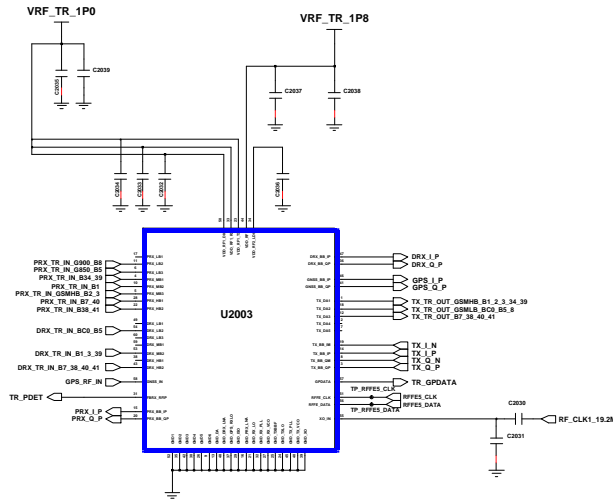
8-4-18. Motor



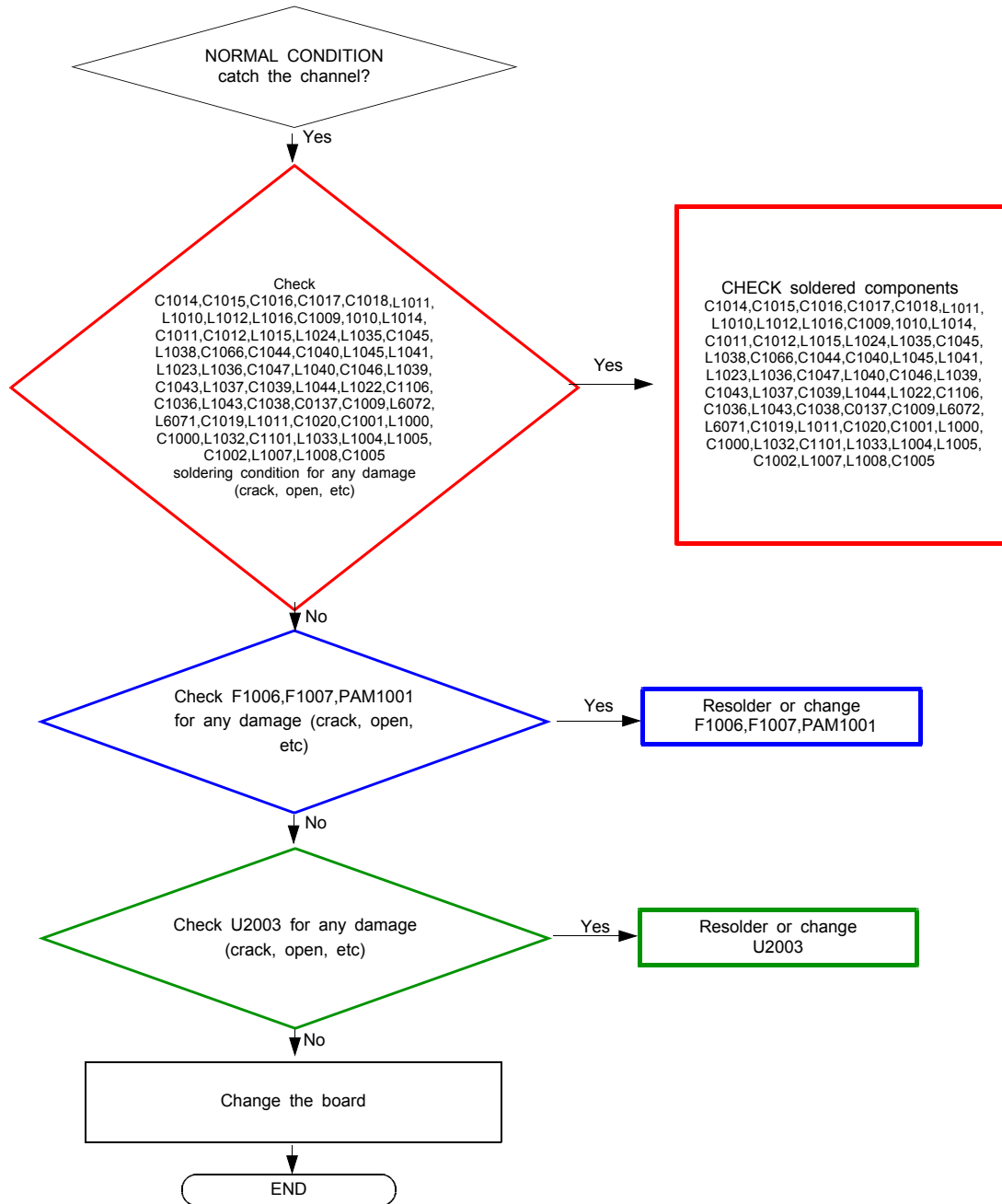


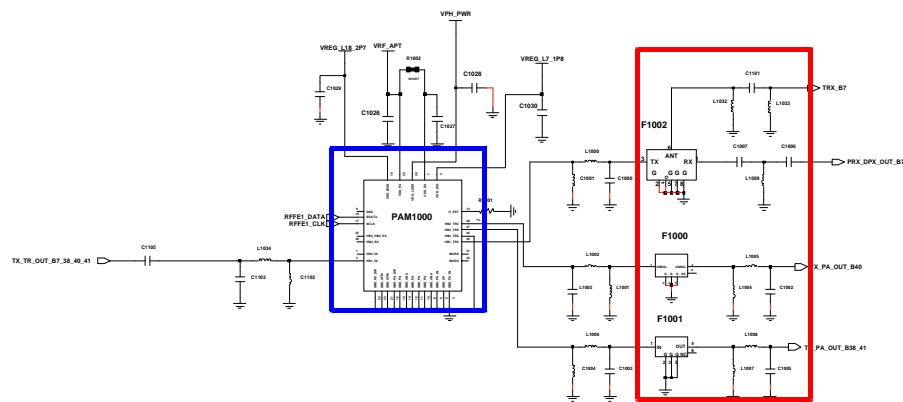
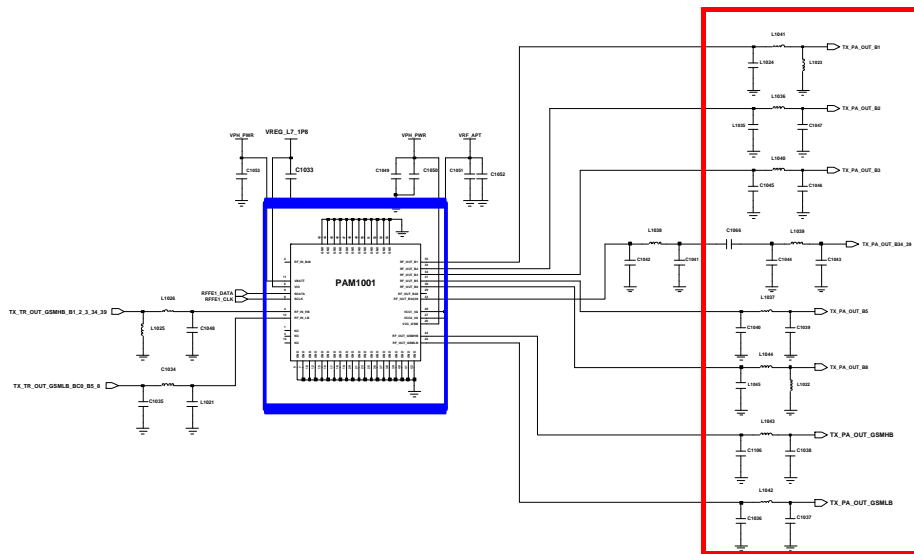
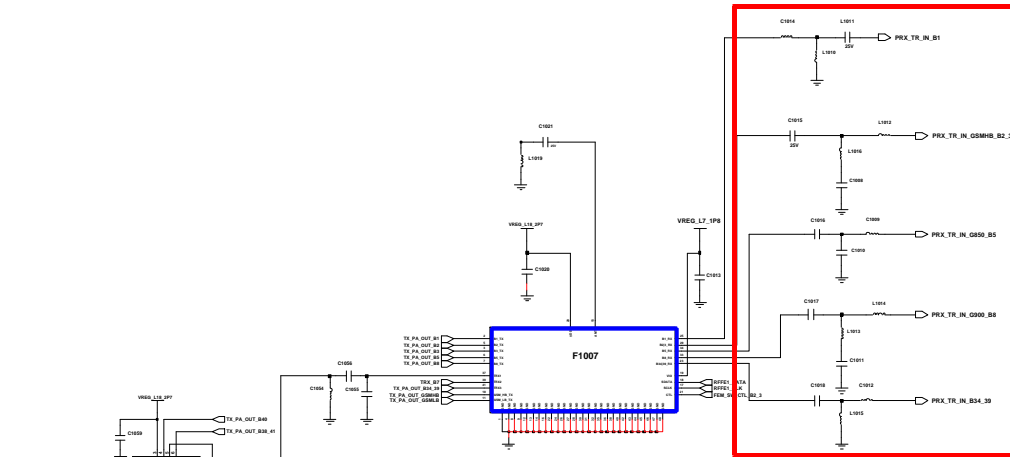
8-4-19. GSM 850,900,1800,1900 / LTE FDD BAND 1,3,7 / LTE TDD BAND 38,39,40,41 / TD-SCDMA B34/B39 RX





8-4-20. GSM 850,900,1800,1900 / LTE FDD BAND 1,3,7 / LTE TDD BAND 38,39,40,41 / TD-SCDMA B34/B39 TX





8-5. Service Schematics

- NC point(Top view)

UCP3000(AP)

