

# SM-J320M\_DS

Latin , Dual SIM - Non NFC

2016.01.06

Sheet01 : RF Part (TRANCEIVER, PAM. Etc..)

Sheet02 : Connectivity Part (BT/WIFI, GPS, NFC)

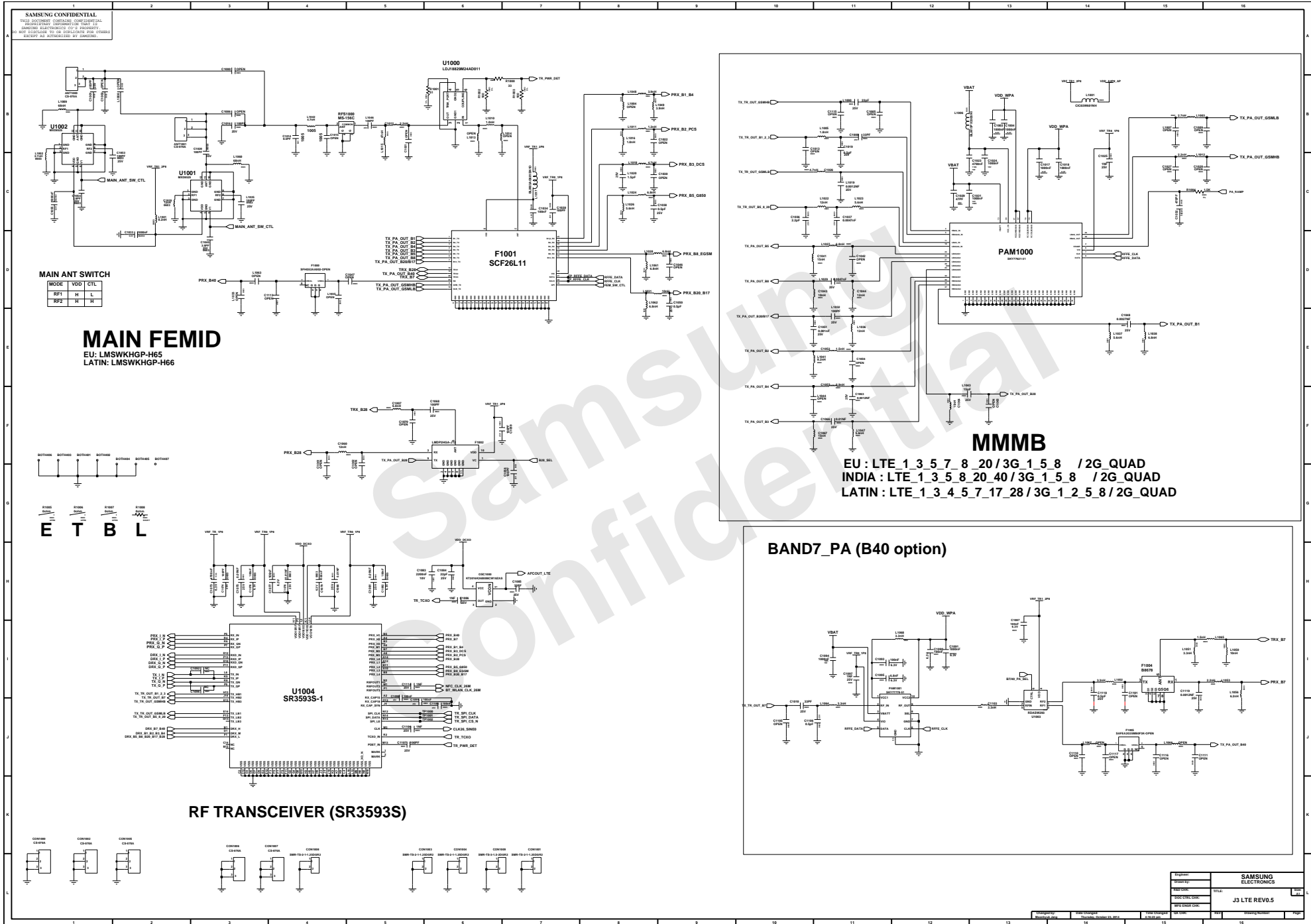
Sheet03 : SPRD SharkLS(AP+CP) / eMCP

Sheet04 : SC2723M(PMIC), IF PMIC

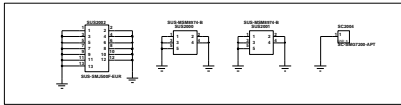
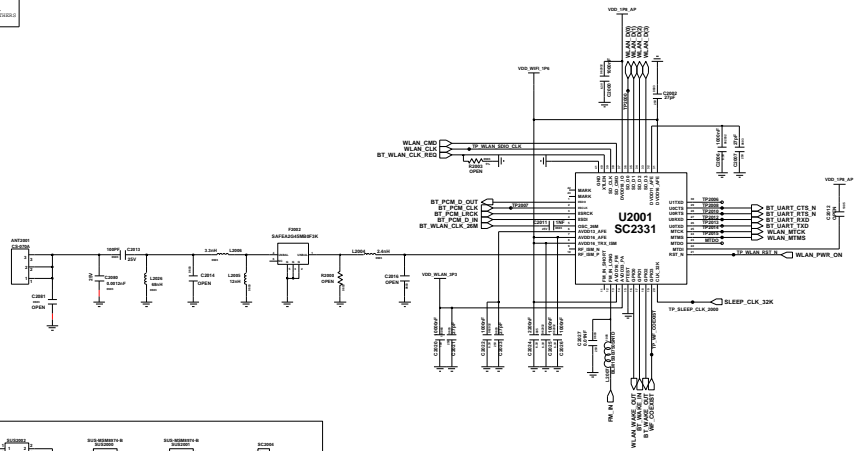
Sheet05 : SPK, EAR, MIC, MOTOR

Sheet06 : 5" OCTA, CAM PART, SIM\_SD PART

Engineer	
Drawn by	
FIELD CHK	TITLE
DOC CTRLR CHK	J3 LTE REV0.5
RFID ENGRG CHK	Sheet 02
QA CHK	REV
Charged by	Date Changed
	9 10 11 12
	Drawing Number
	Sheet
	Q/B

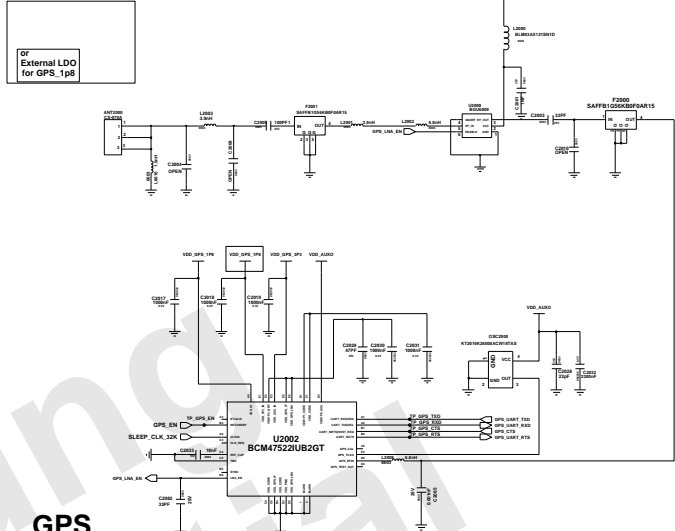


SAMSUNG CONFIDENTIAL  
THIS DOCUMENT CONTAINS CONFIDENTIAL  
SAMSUNG INFORMATION. IT IS NOT TO BE  
REPRODUCED OR TRANSMITTED IN ANY FORM  
OR BY ANY MEANS, ELECTRONIC OR MECHANICAL,  
WITHOUT PERMISSION IN WRITING FROM SAMSUNG  
EXCEPT AS AUTHORIZED BY SAMSUNG.

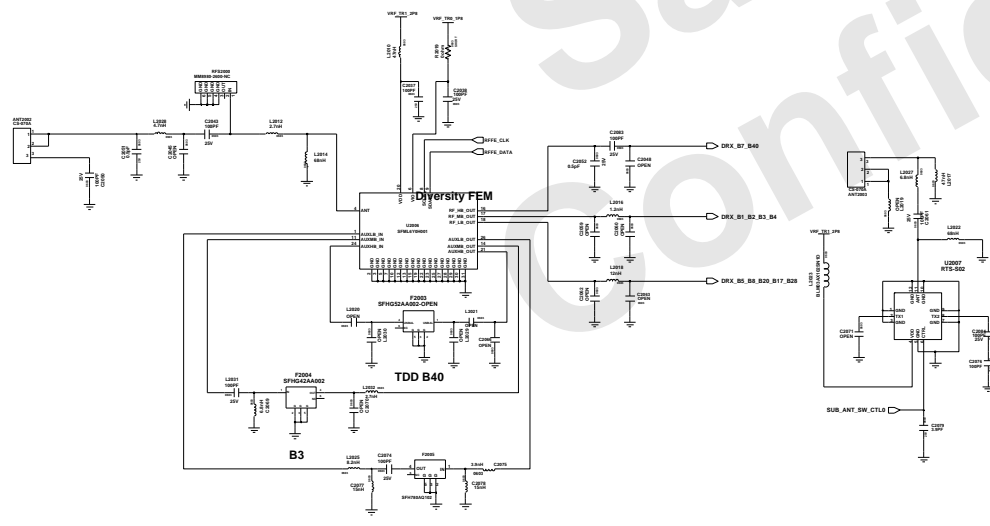


SUS

WIFI / BT / FM

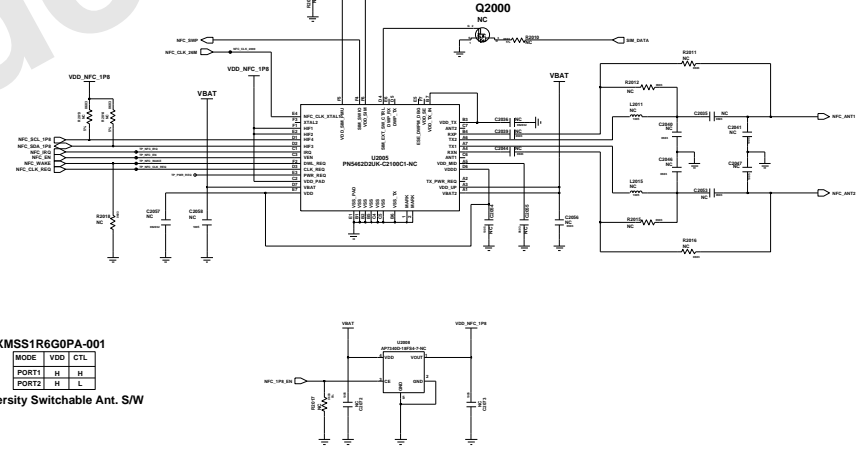


GPS



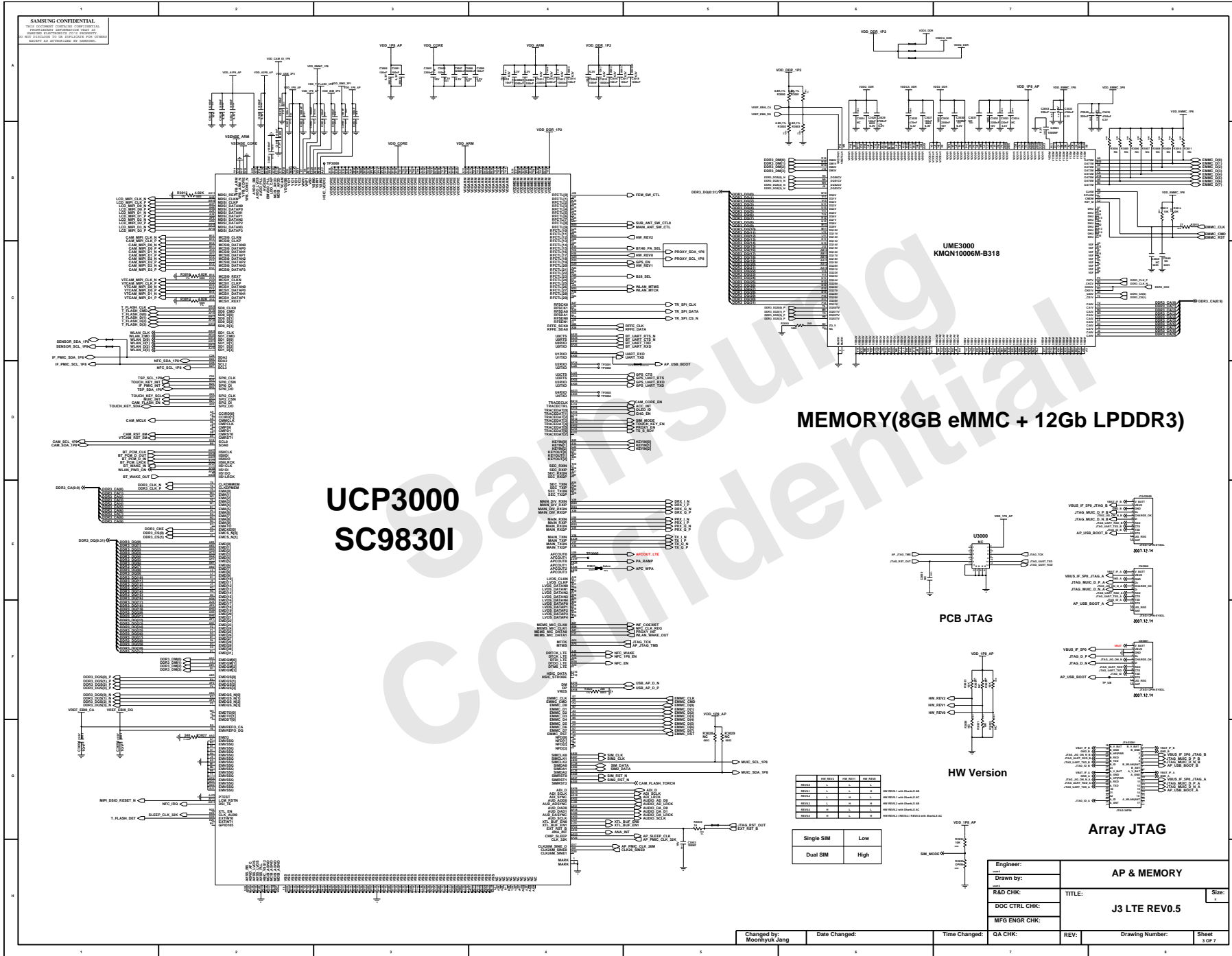
RF Diversity

B28



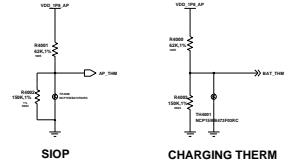
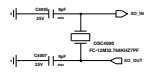
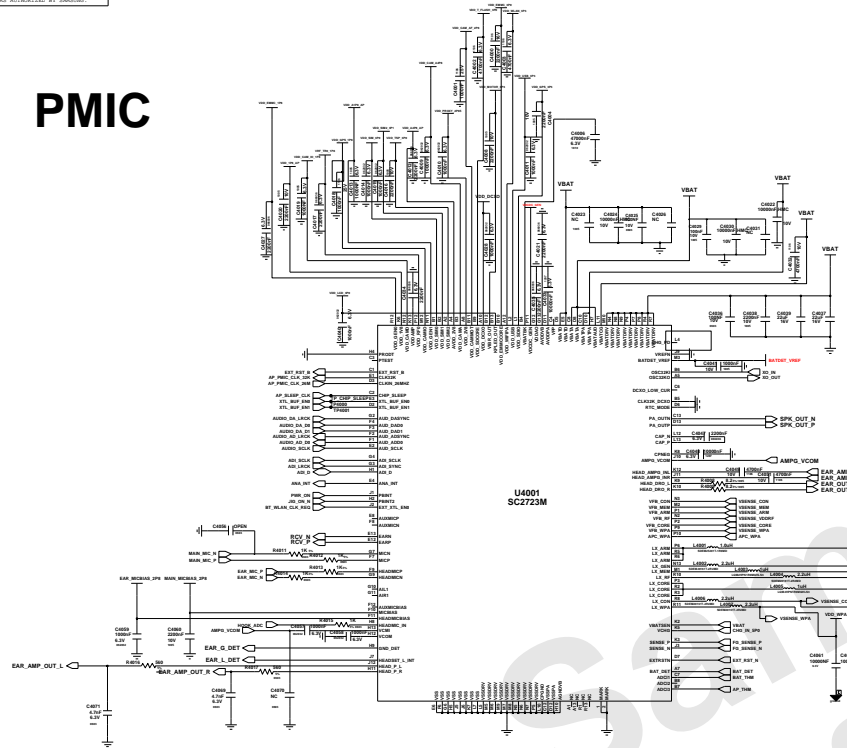
NFC

J3 LTE REV0.5
---------------

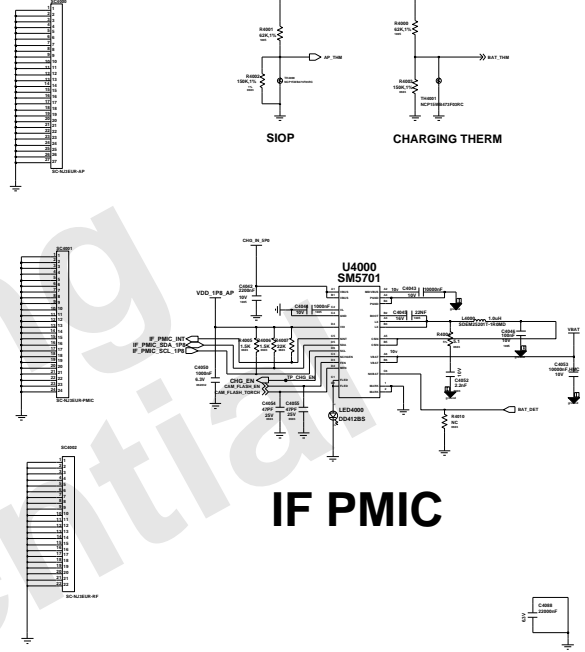


SAMSUNG CONFIDENTIAL  
THIS DOCUMENT CONTAINS CONFIDENTIAL INFORMATION. INFORMATION CONTAINED HEREIN IS UNCLASSIFIED EXCEPT WHERE SHOWN OTHERWISE. THIS DOCUMENT IS UNCLASSIFIED EXCEPT AS AUTHORIZED BY SAMSUNG.

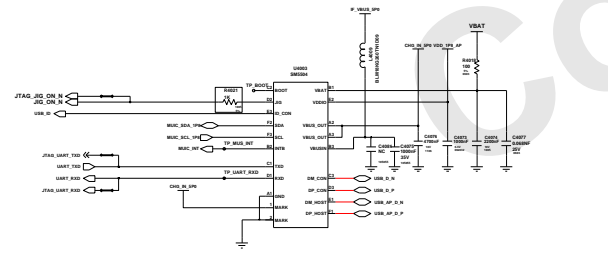
# PMIC



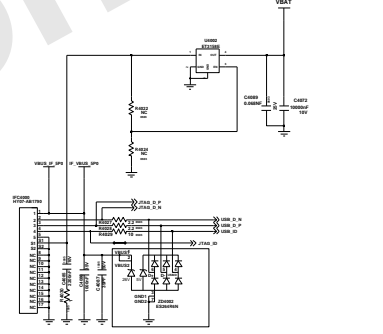
# IF PMIC



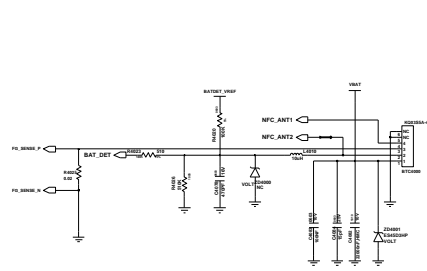
# MUIC + OVP



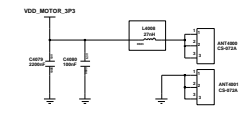
# microUSB CON



# BAT CON

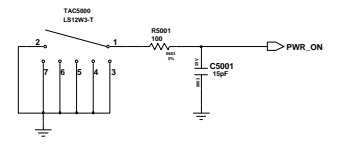
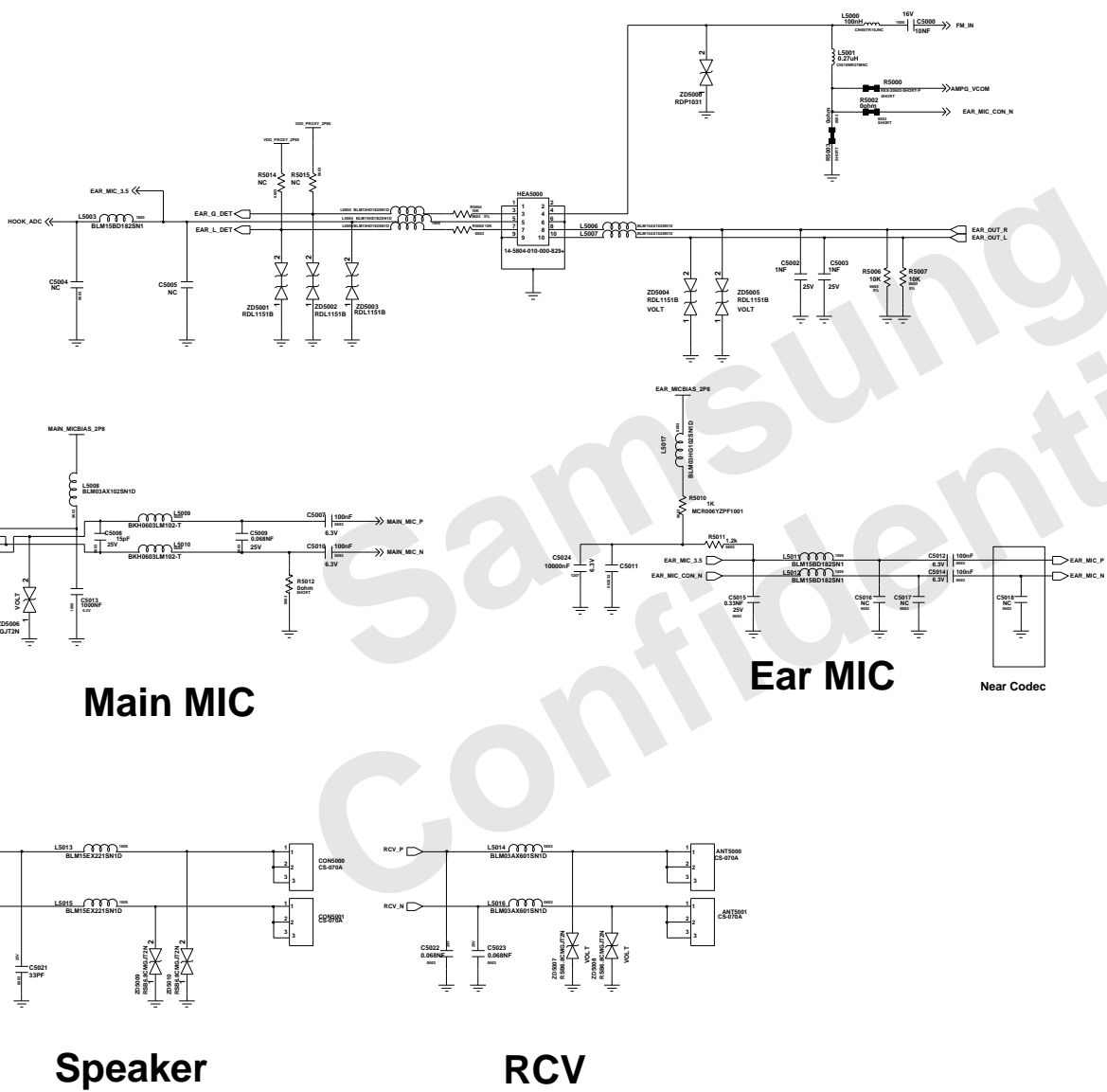


# MOTOR\_PAD

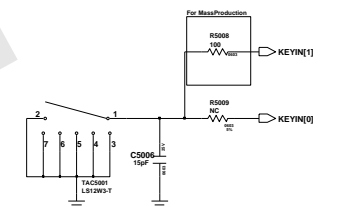


Project Name	PMU, KEY, MUIC
Doc No.	J3 LTE REV0.5
Rev	14.118.1
Doc Title	J3 LTE REV0.5
Doc No.	J3 LTE REV0.5
Rev	14.118.1
Doc Title	J3 LTE REV0.5

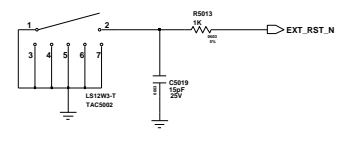
# AUDIO PART



Power\_ON



VOL\_UP



VOL\_DOWN

Main MIC

Ear MIC

Near Codec

Speaker

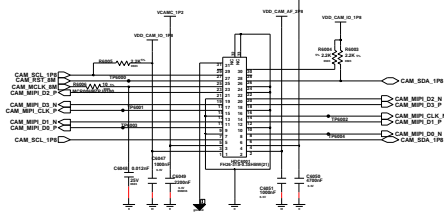
RCV

Engineer r34	<b>AUDIO</b> TITLE <b>J3 LTE REV0.5</b>	REV	Sheet 5 of 7
Drawn by r34		GA CHK	
FIELD CHK			
IPC-CYCLE CHK			
MFG ENGR CHK			

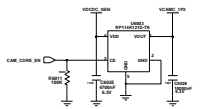
Changed by: Moushuu,2009 Date Changed: Tuesday, April 7, 2009 Time Changed: 4:33:04 pm

SAMSUNG CONFIDENTIAL  
THIS DOCUMENT CONTAINS CONFIDENTIAL INFORMATION. ANY DISCLOSURE OF THIS INFORMATION TO UNAUTHORIZED PERSONS OR ENTITIES WITHOUT THE WRITTEN PERMISSION OF SAMSUNG ELECTRONICS CO., LTD. IS PROHIBITED. ANY REPRODUCTION OR TRANSMISSION OF THIS DOCUMENT IS PROHIBITED WITHOUT THE WRITTEN PERMISSION OF SAMSUNG ELECTRONICS CO., LTD.

### CAMERA PART

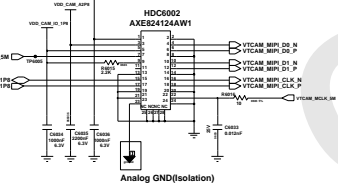


8M\_CAM Connector (MIPI)



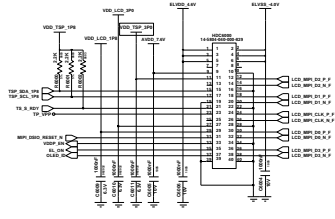
5M\_VT\_CAM

(G.Prime VE CAMERA Module)

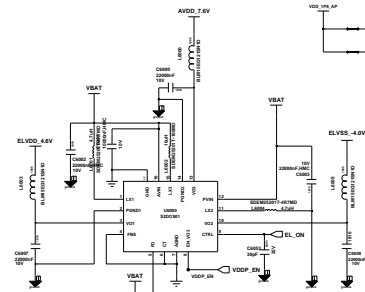


Analog GND(Isolation)

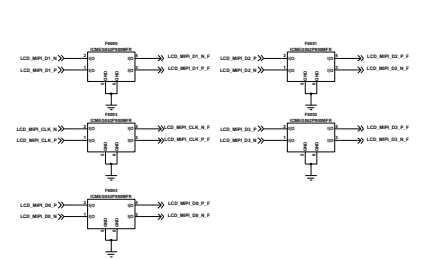
### LCD PART



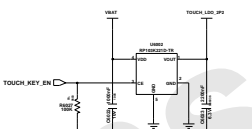
OCTA CON  
(5" OCTA HD, J5)



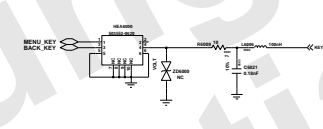
OCTA DCDC



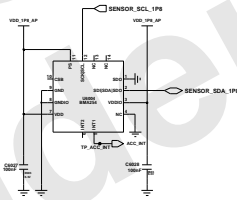
Touch Key IC



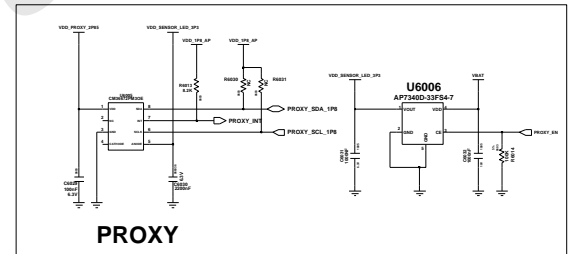
Touch Key LDO



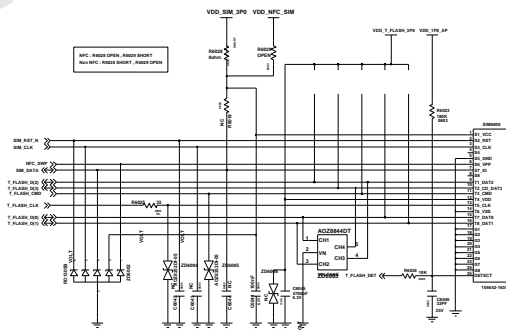
Touch Key Connector



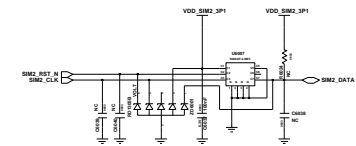
Accelerometer



PROXY



UIM1 / SD Card Connector



UIM2 Connector

Project:	CAMERA / LCD / SIM,SD CON
Version:	
File No.:	FILE
Doc Title:	J3 LTE REV.3
Rev. No.:	
Rev. Date:	
Rev. Reason:	
Rev. No.:	
Rev. Date:	
Rev. Reason:	