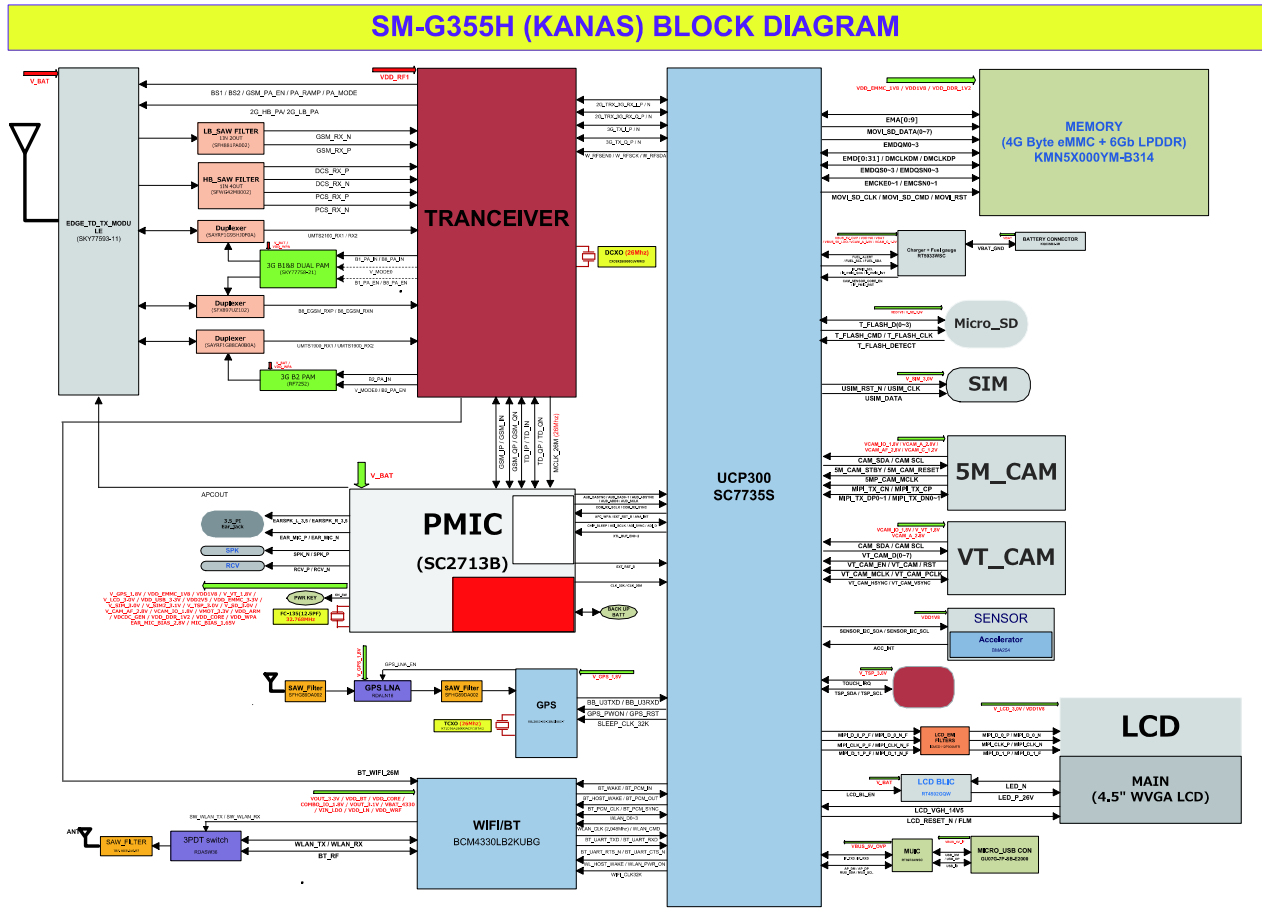


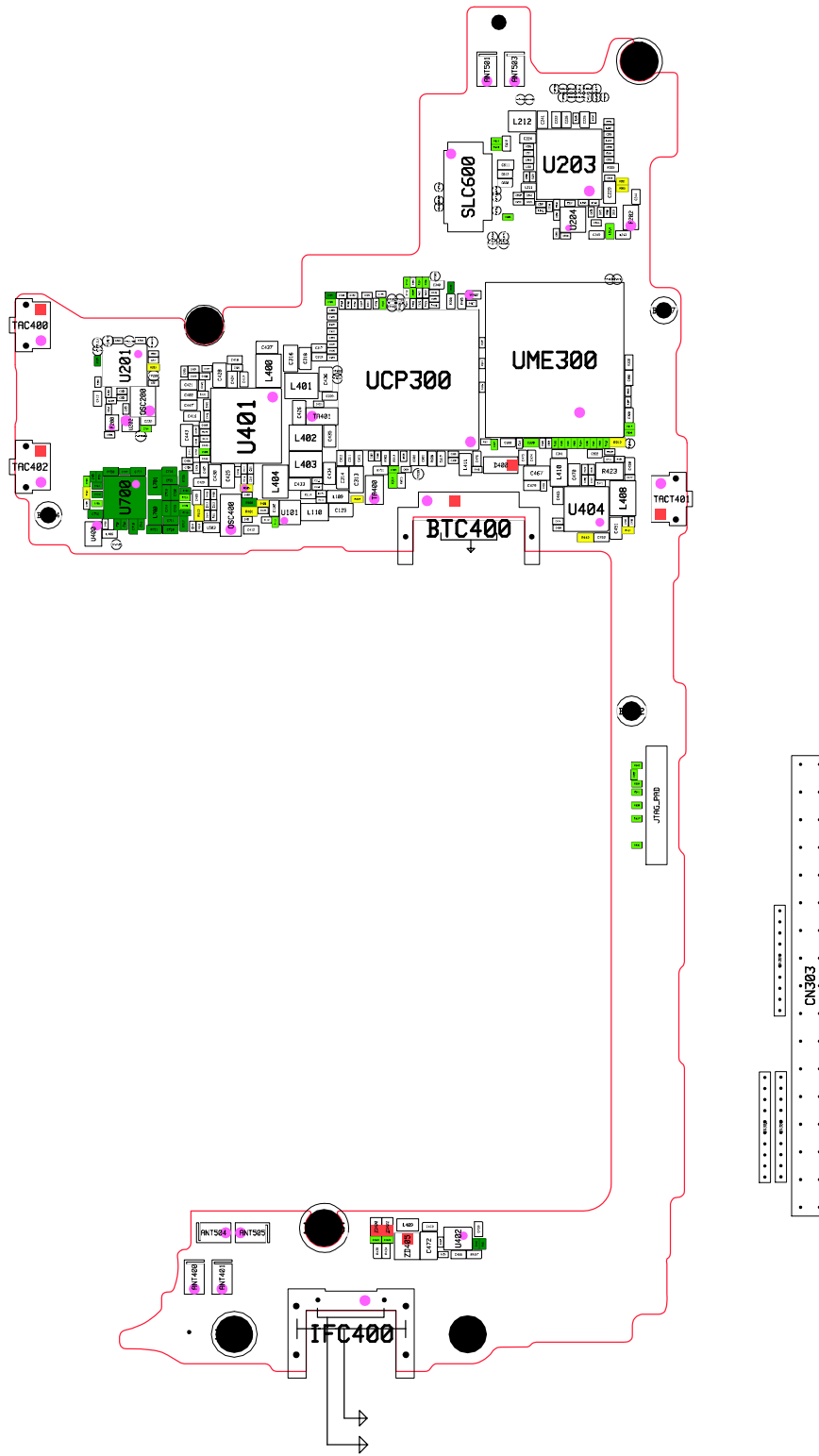
8. Level 3 Repair

8-1. Block Diagram

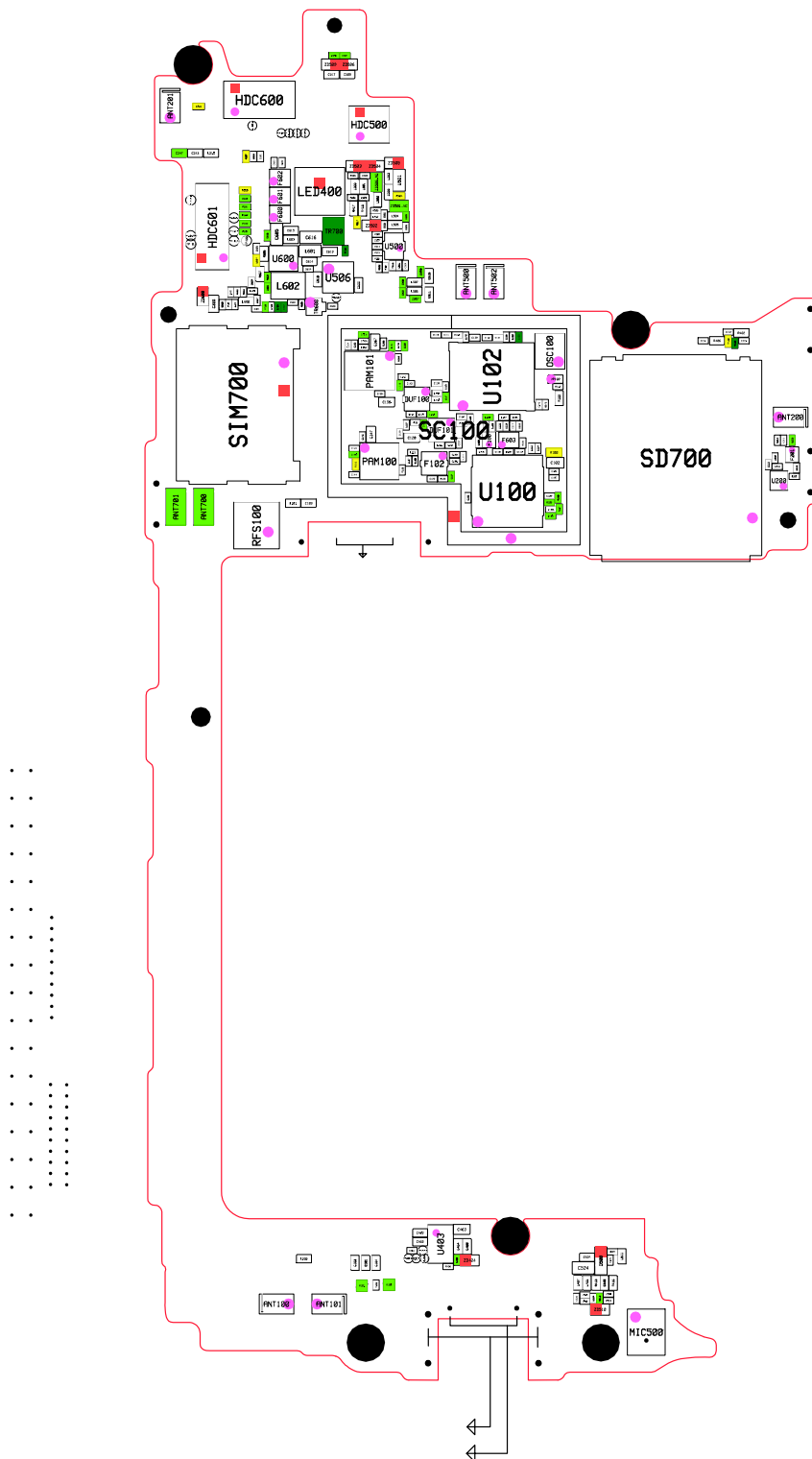


8-2. PCB Diagrams

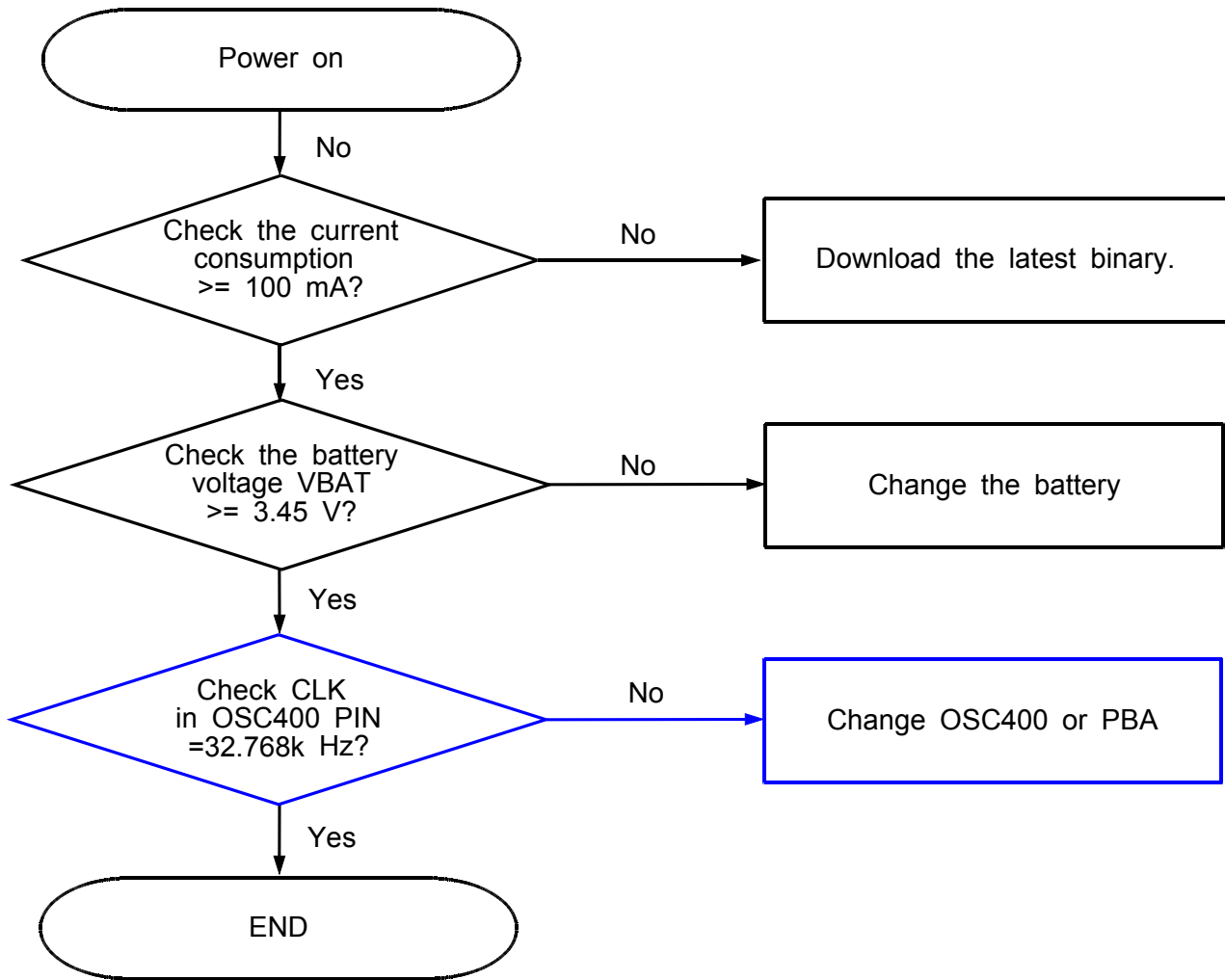
8-2-1. Top



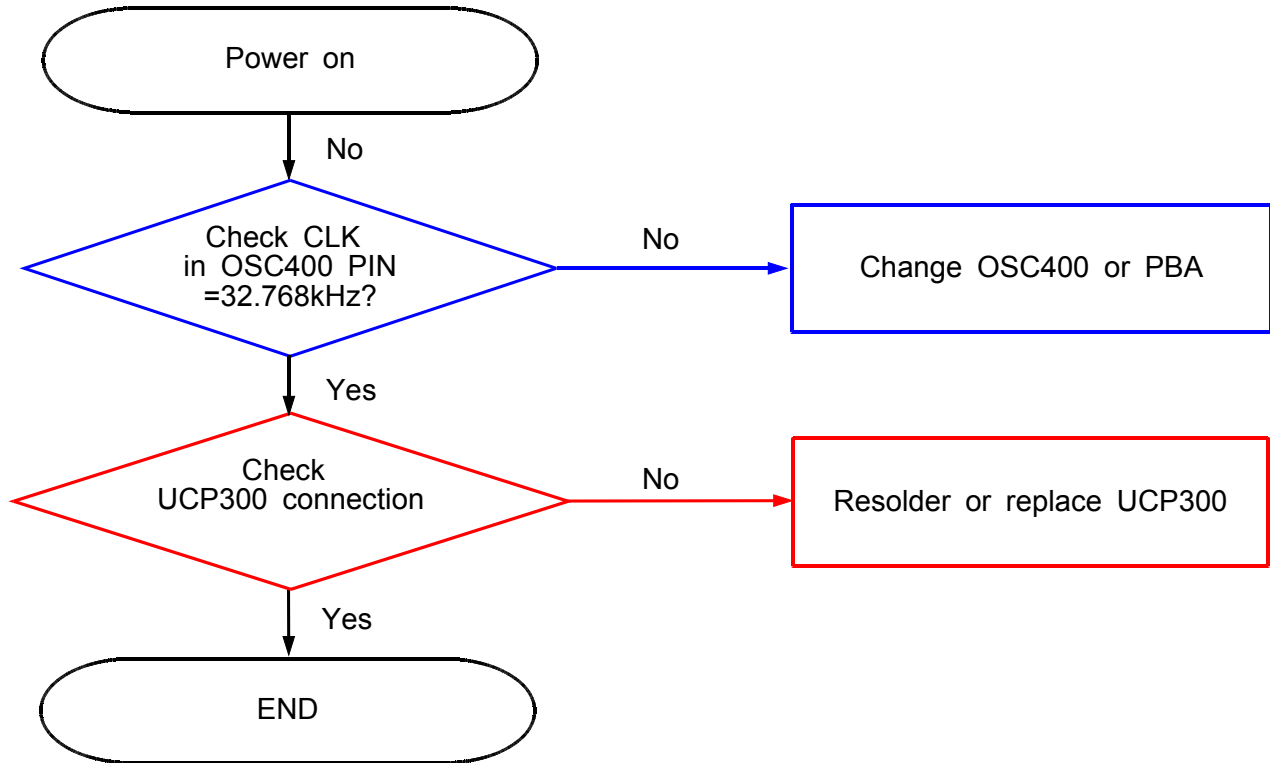
8-2-2. Bottom

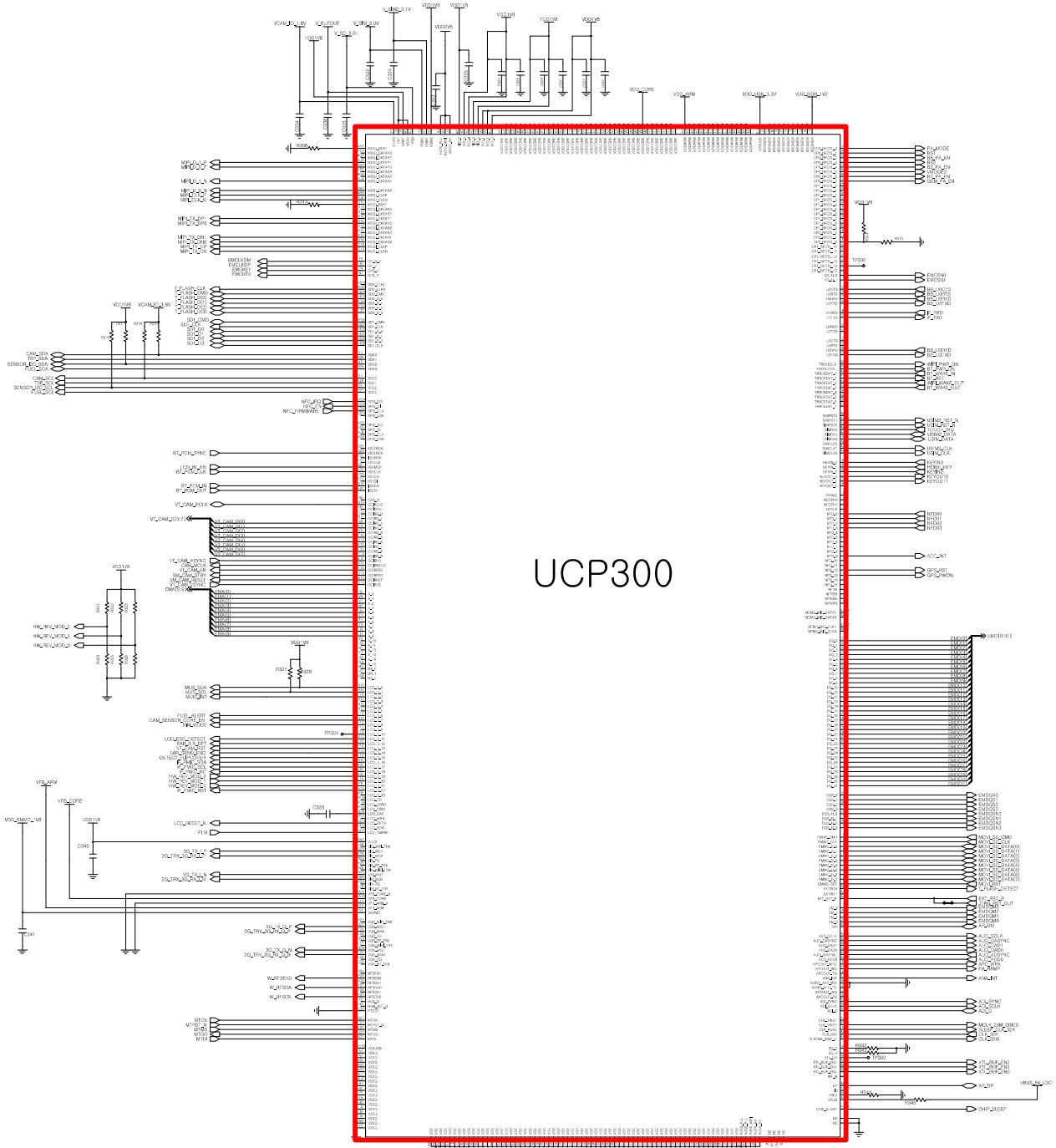


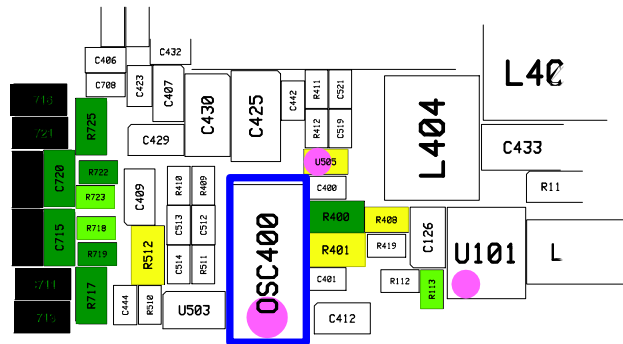
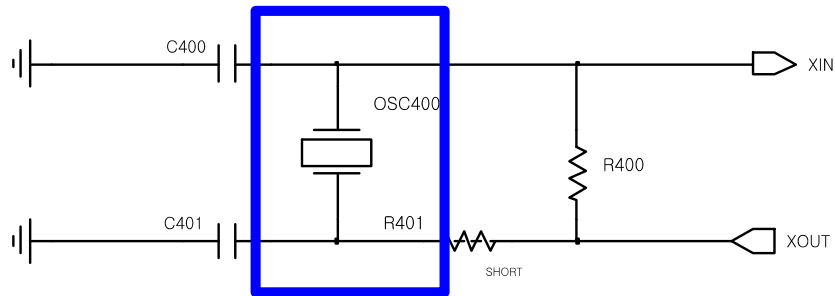
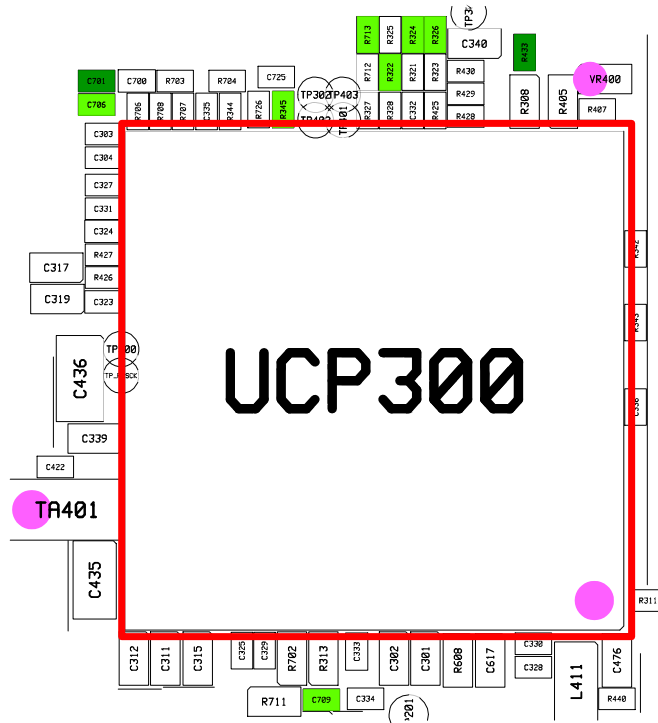
8-3. Flow Chart of Troubleshooting
8-3-1. Power On



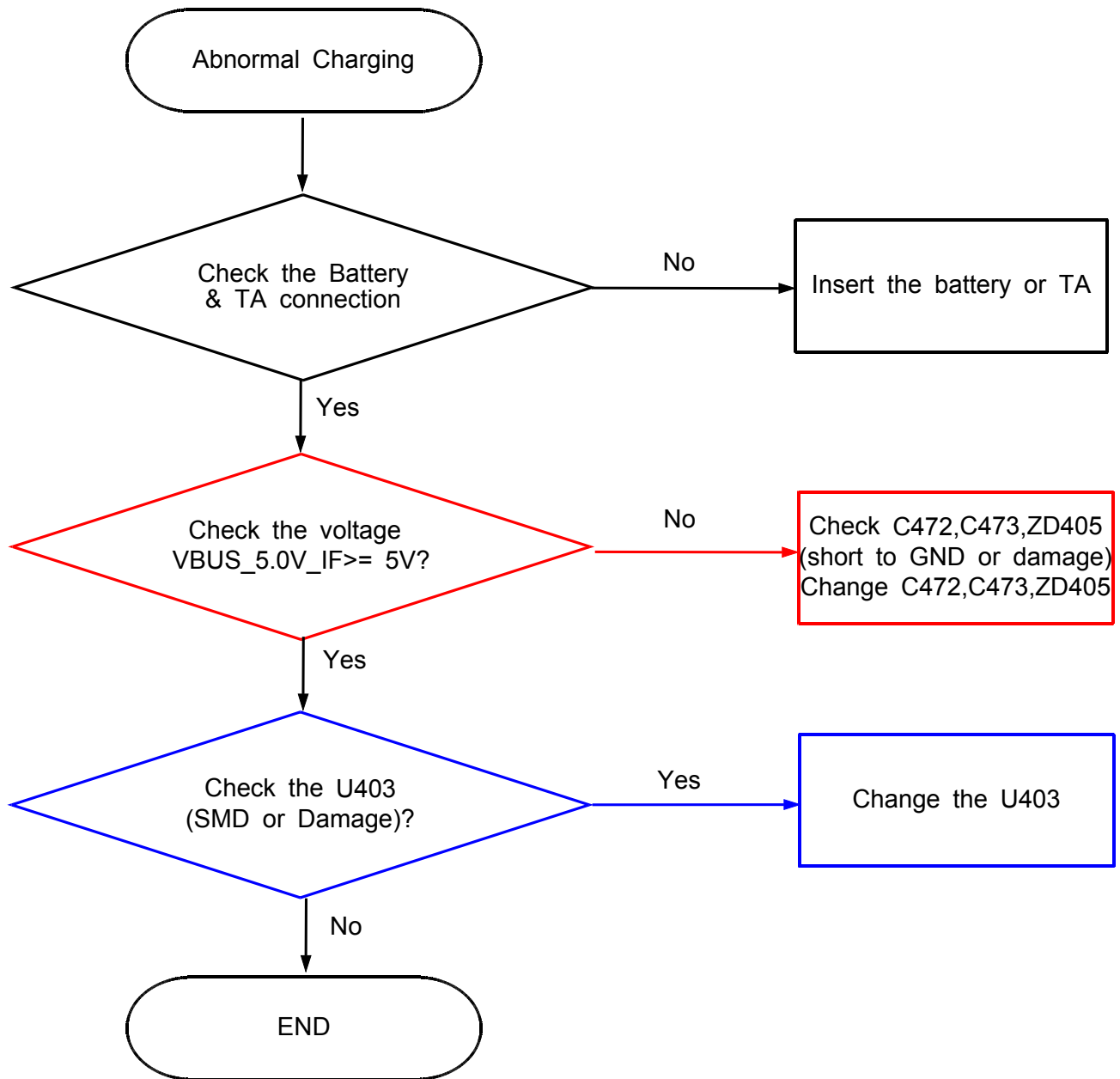
8-3-2. Initial

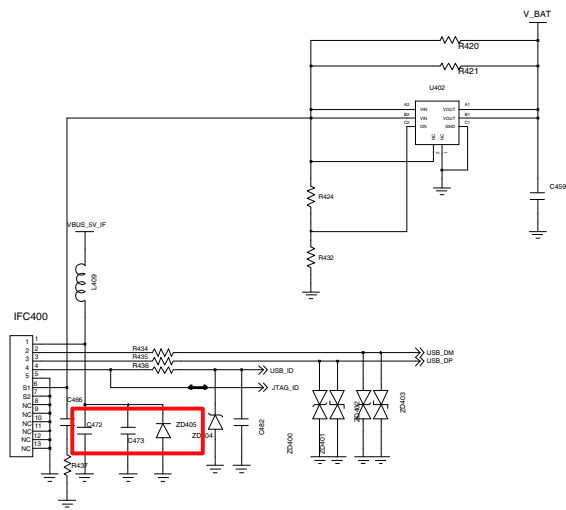




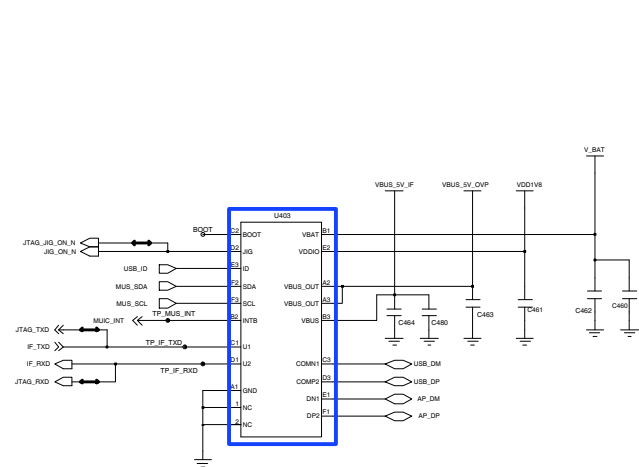


8-3-3. Charging Part

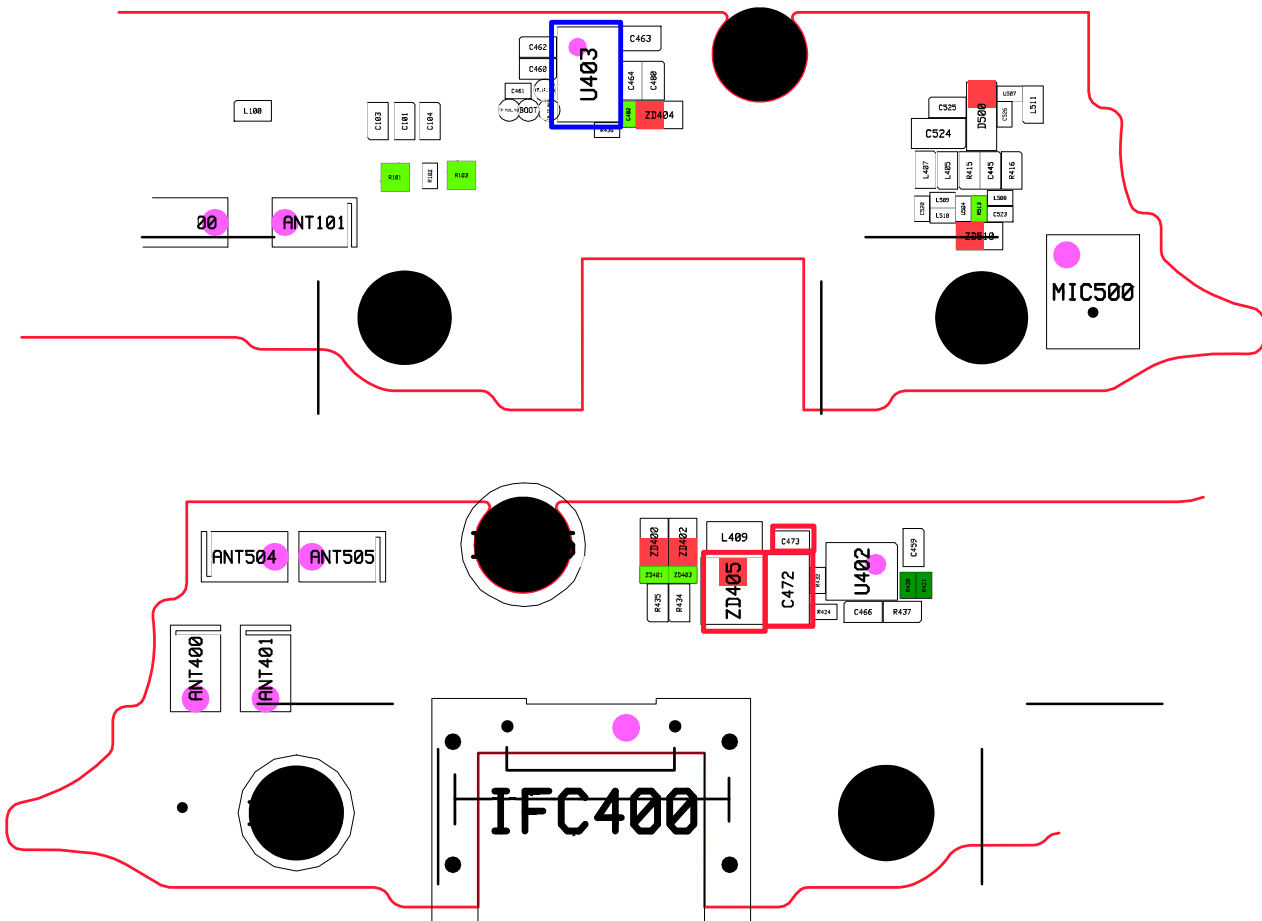




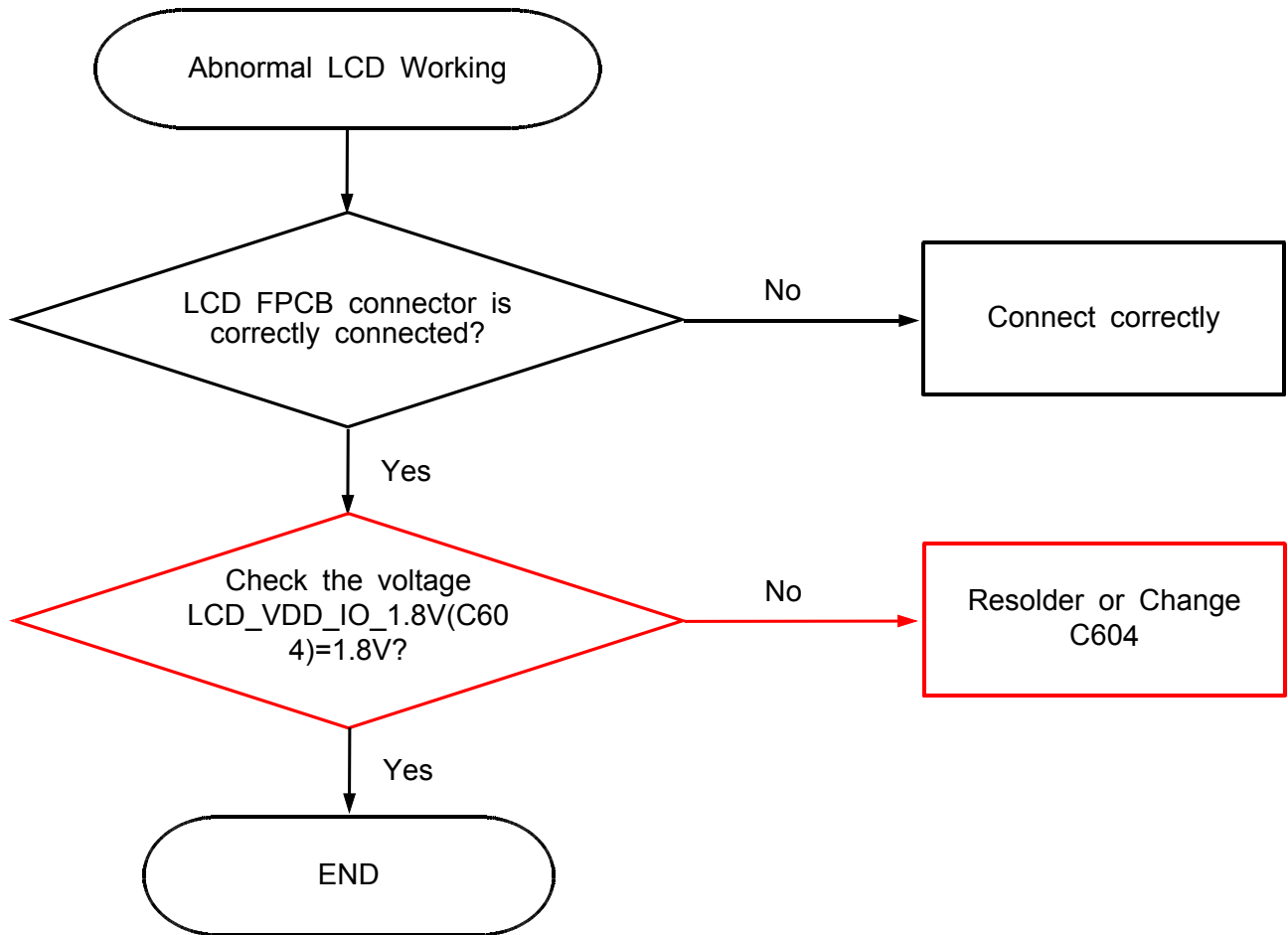
IF Connector(u-USB)

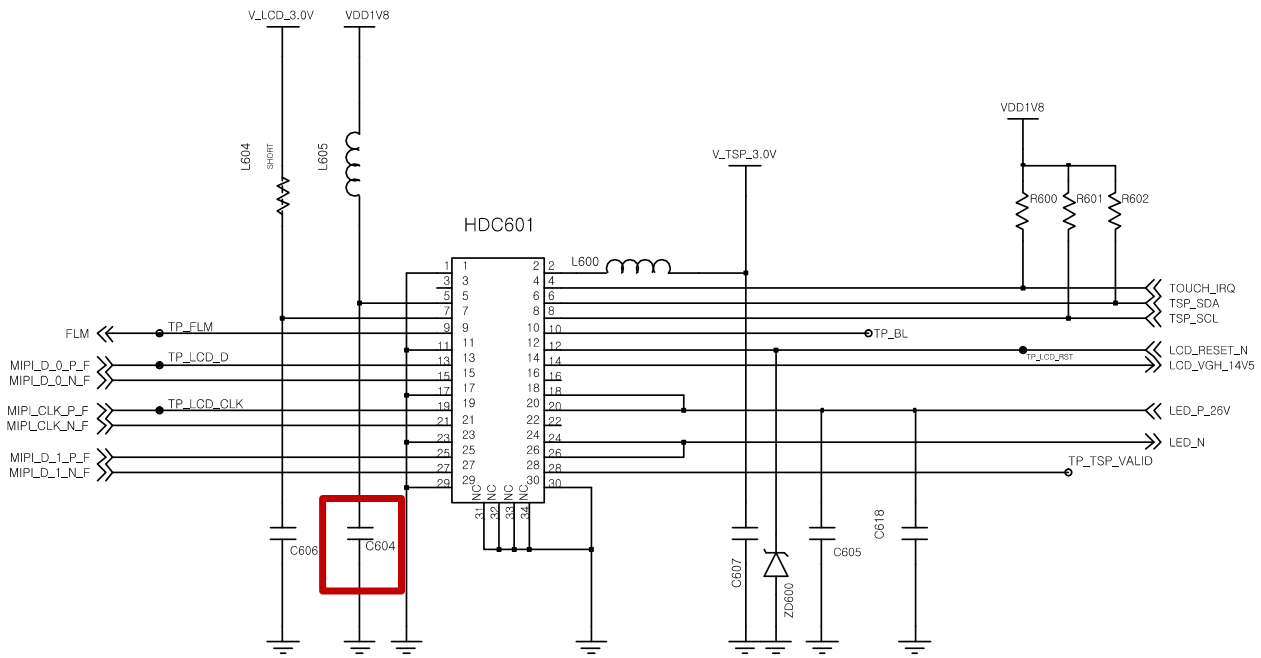


MU IC

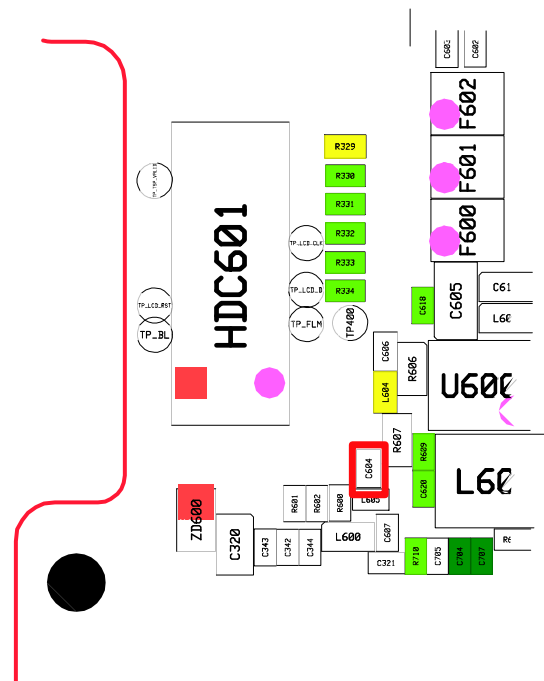


8-3-4. LCD Working

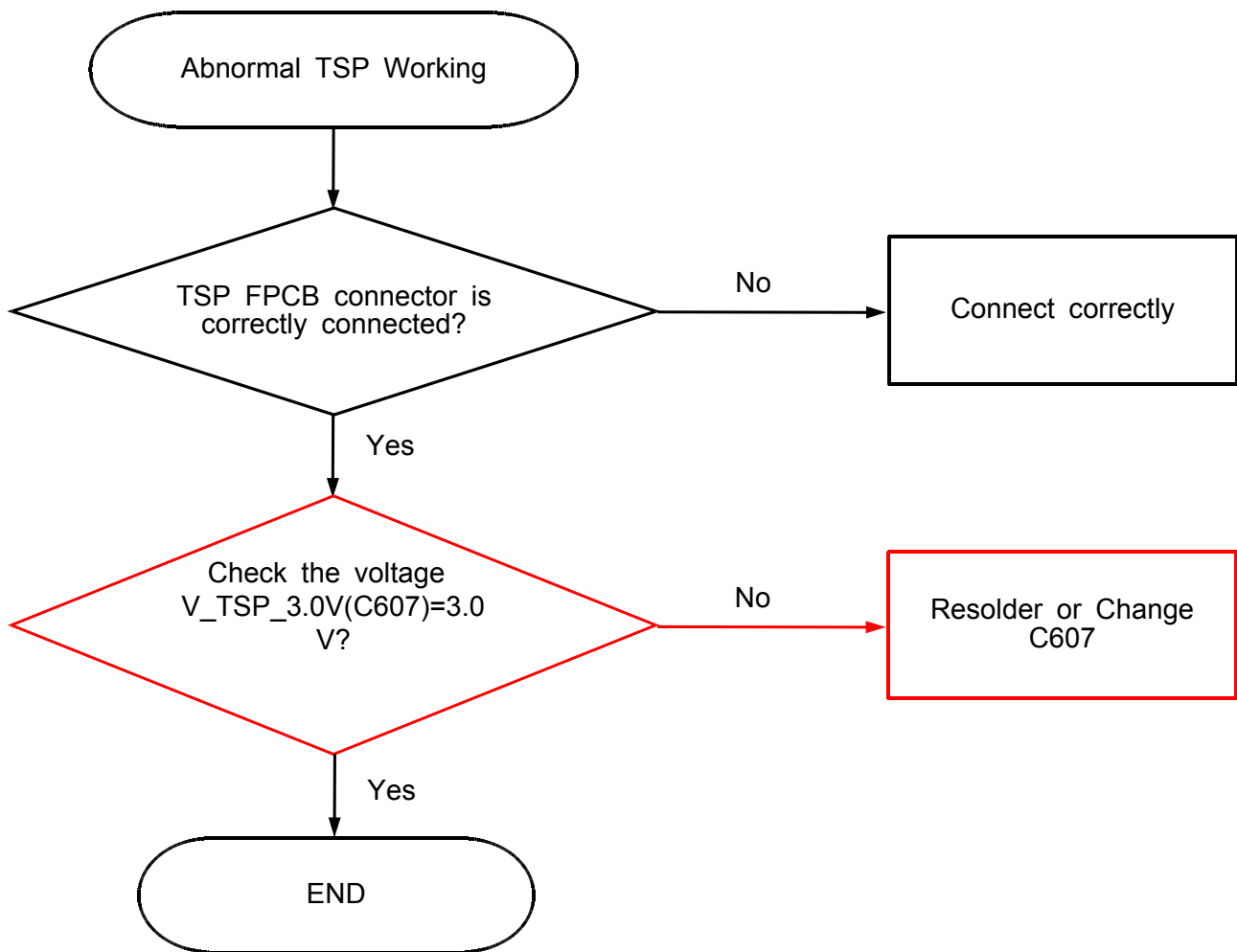


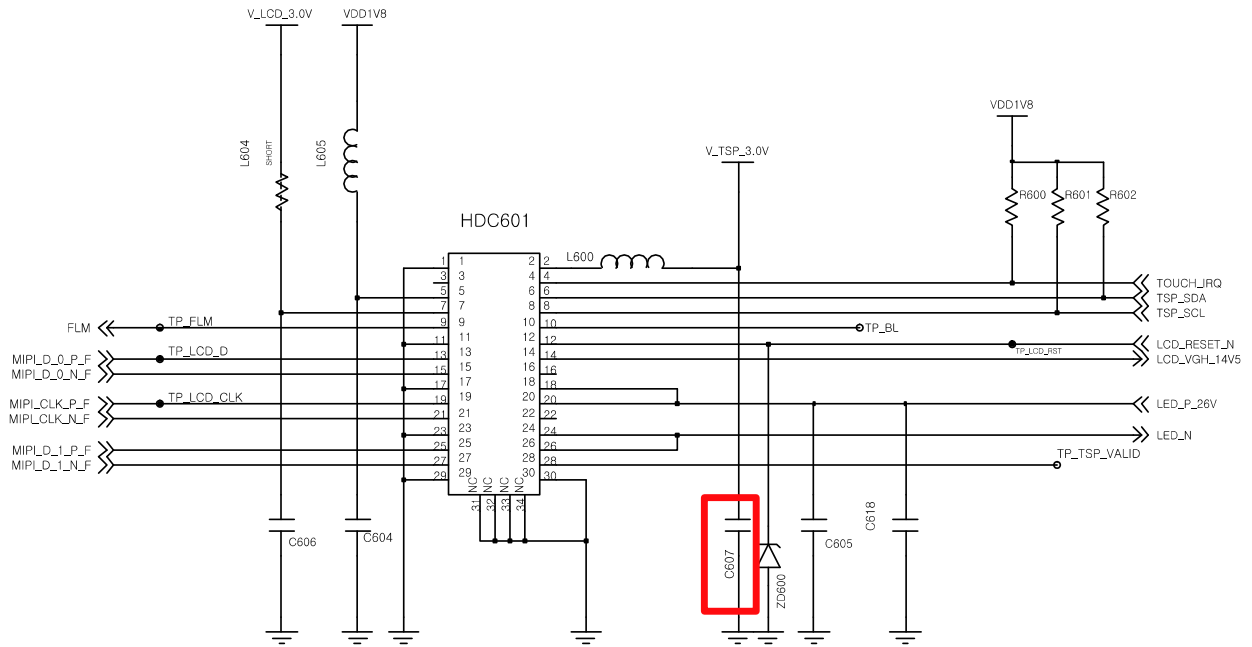


LCD CON

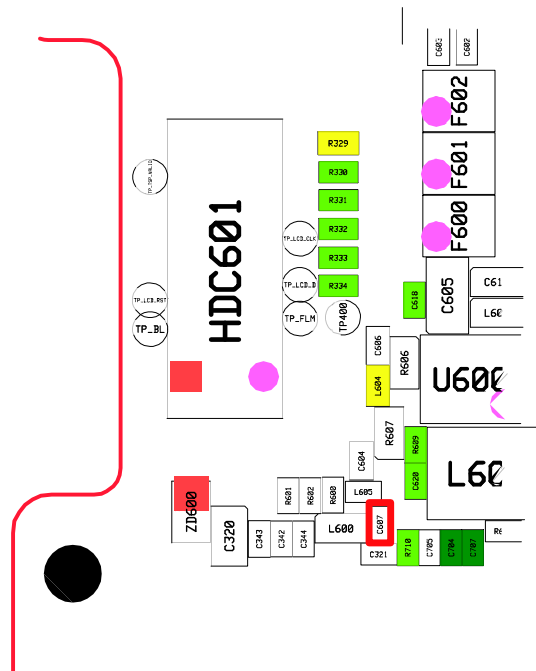


8-3-5. TSP Working



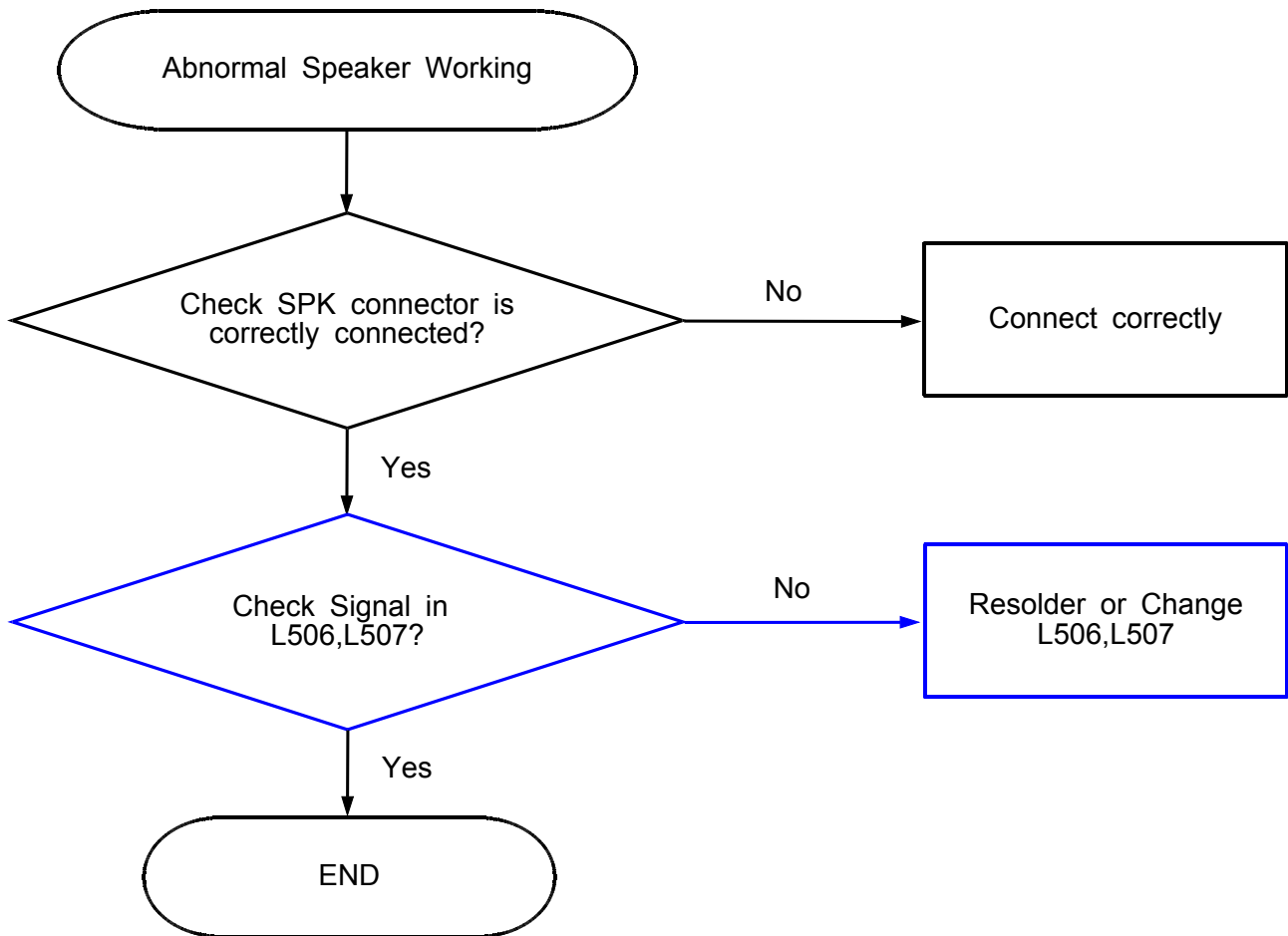


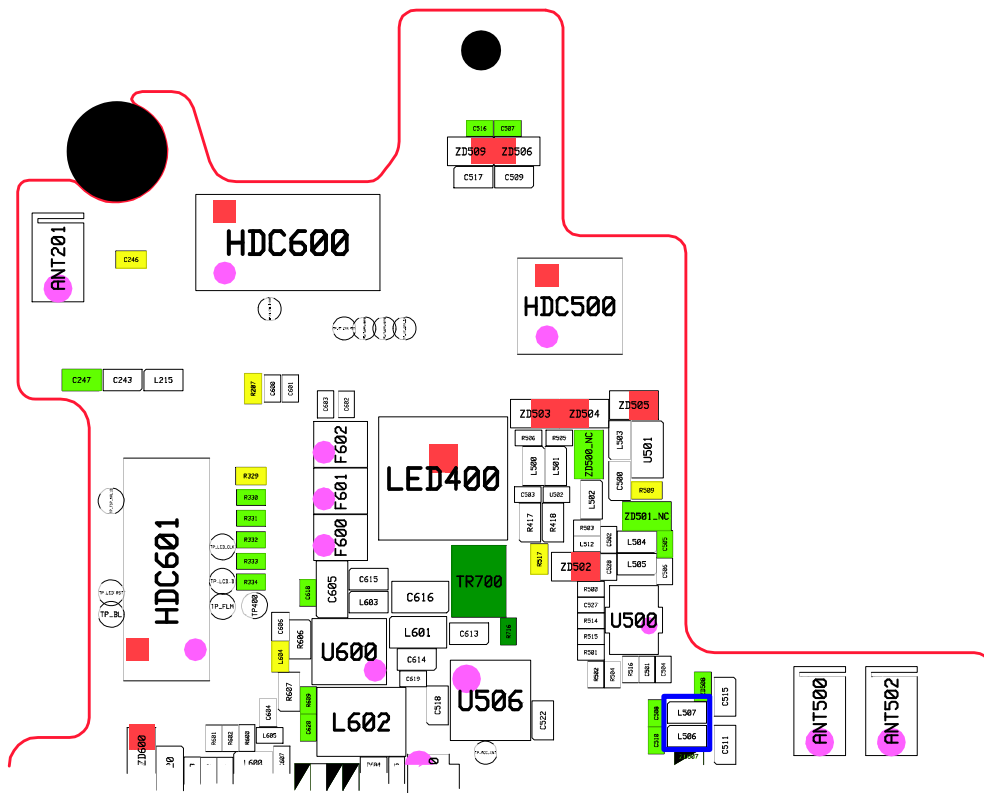
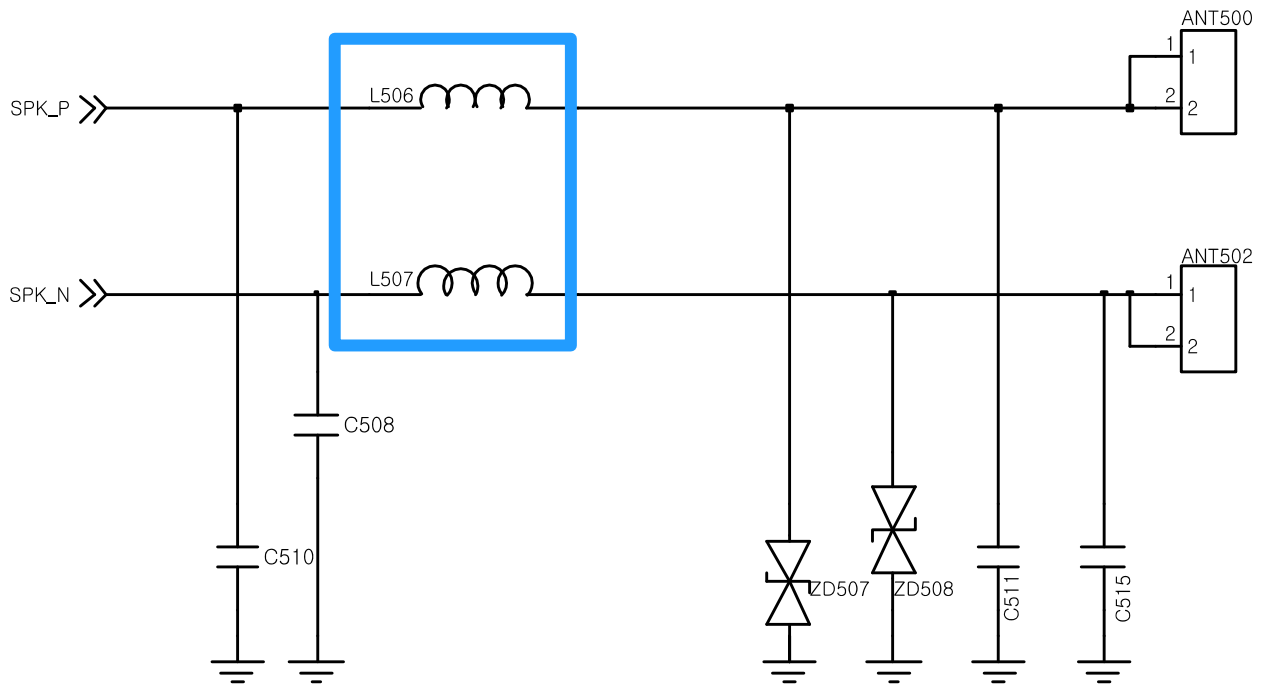
LCD CON



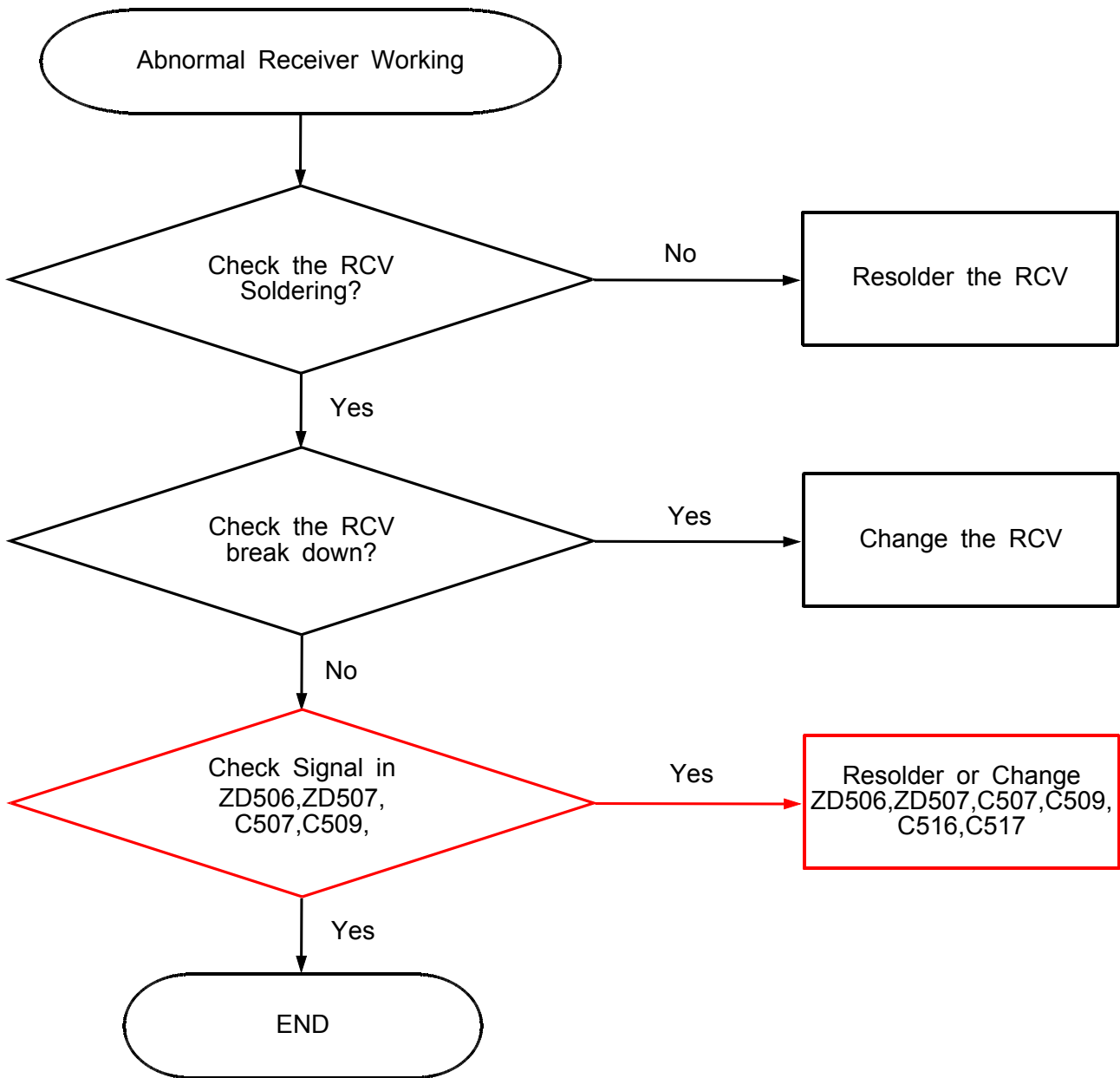
8-3-6. Audio Working

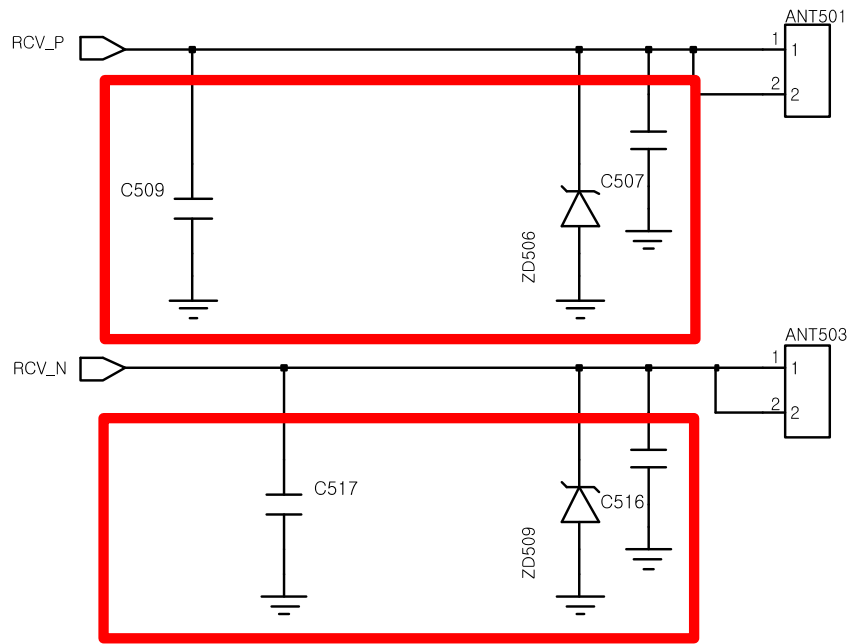
- Speaker Working



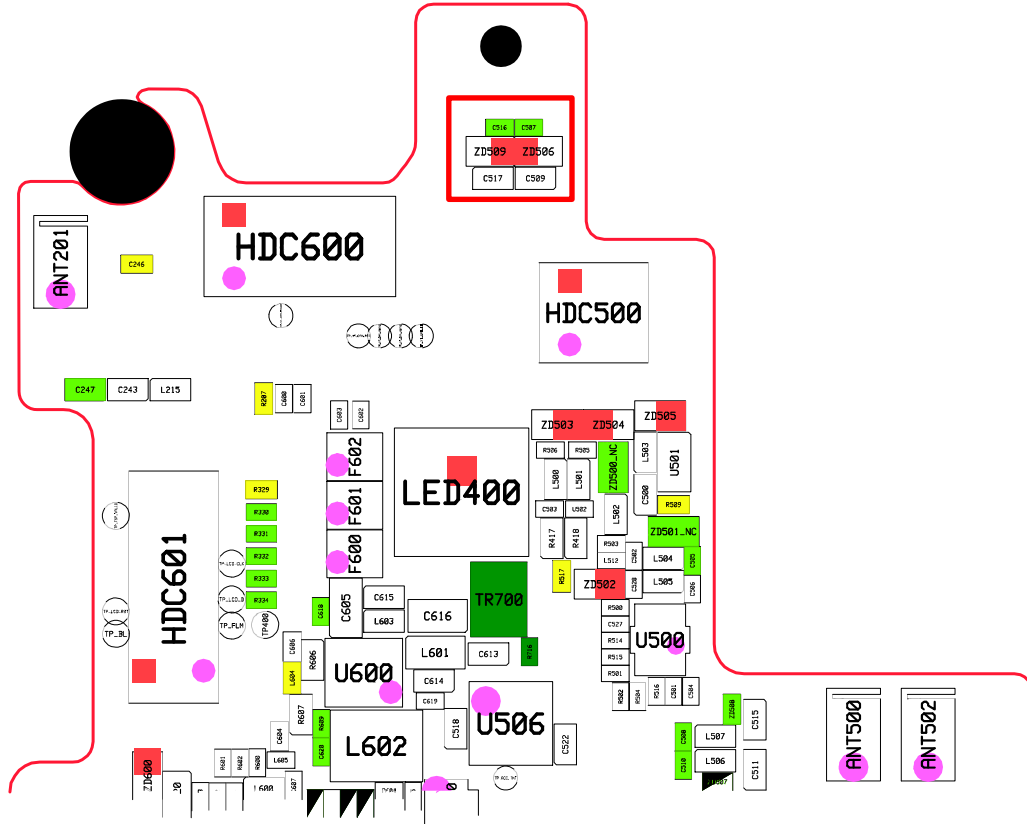


- Receiver Working

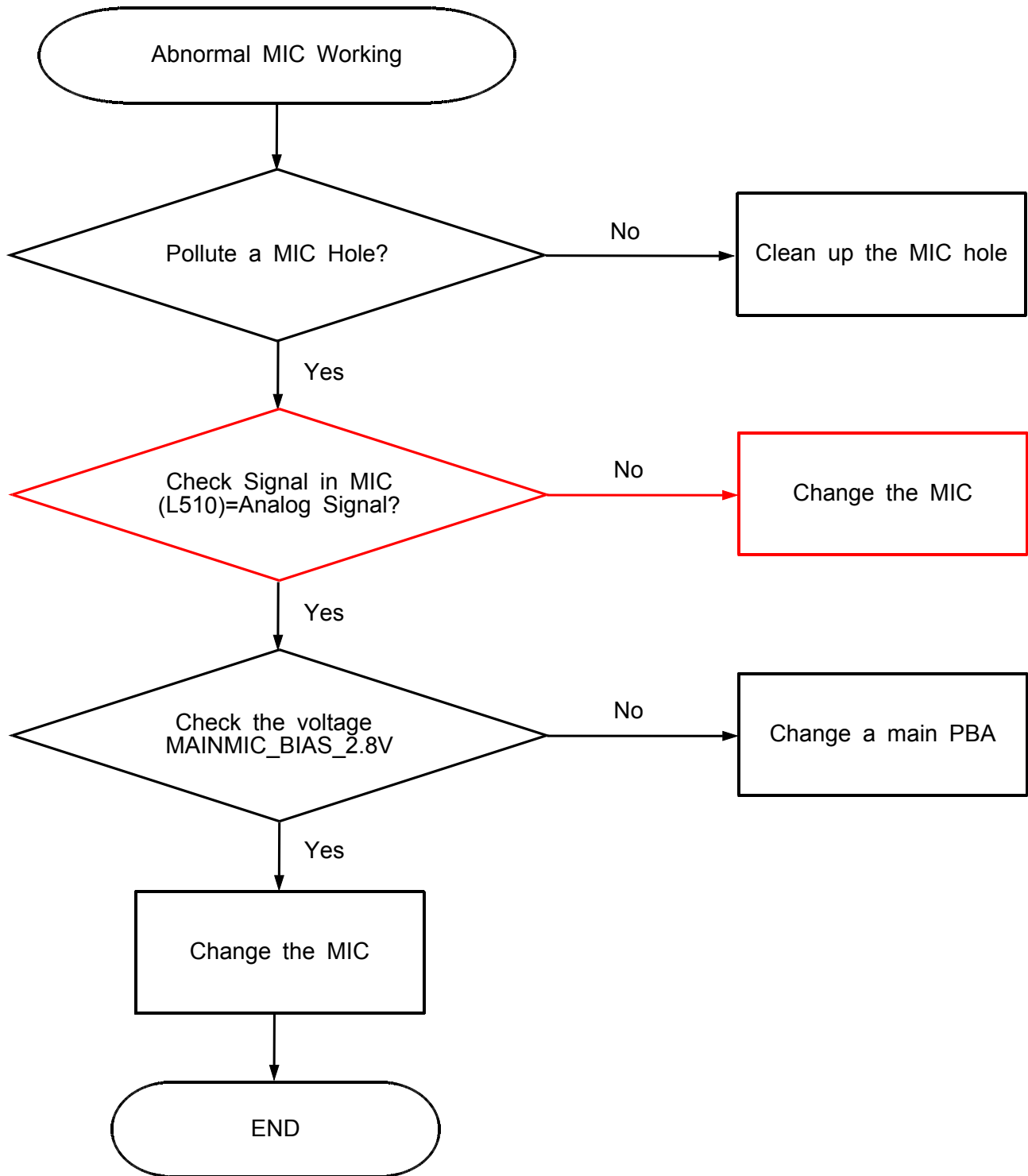


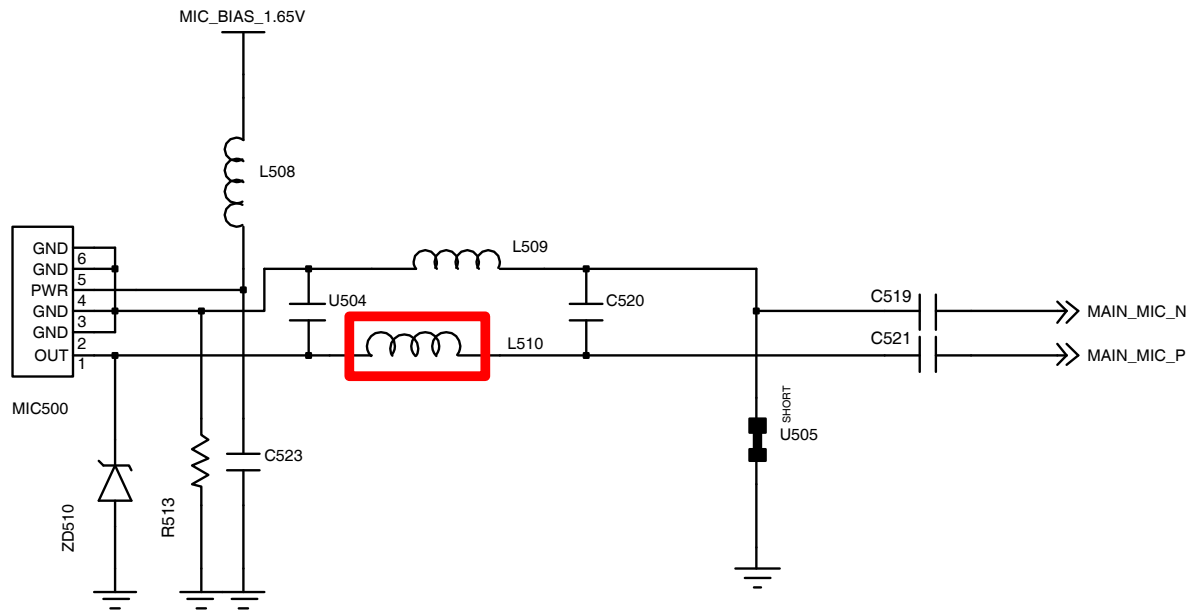


RECEIVER

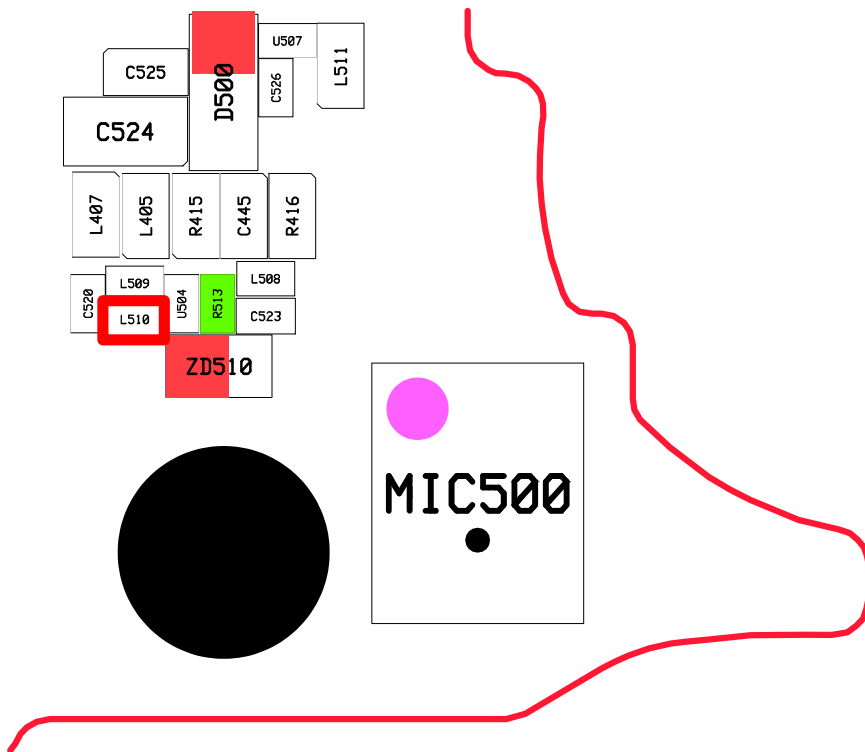


● MIC Working

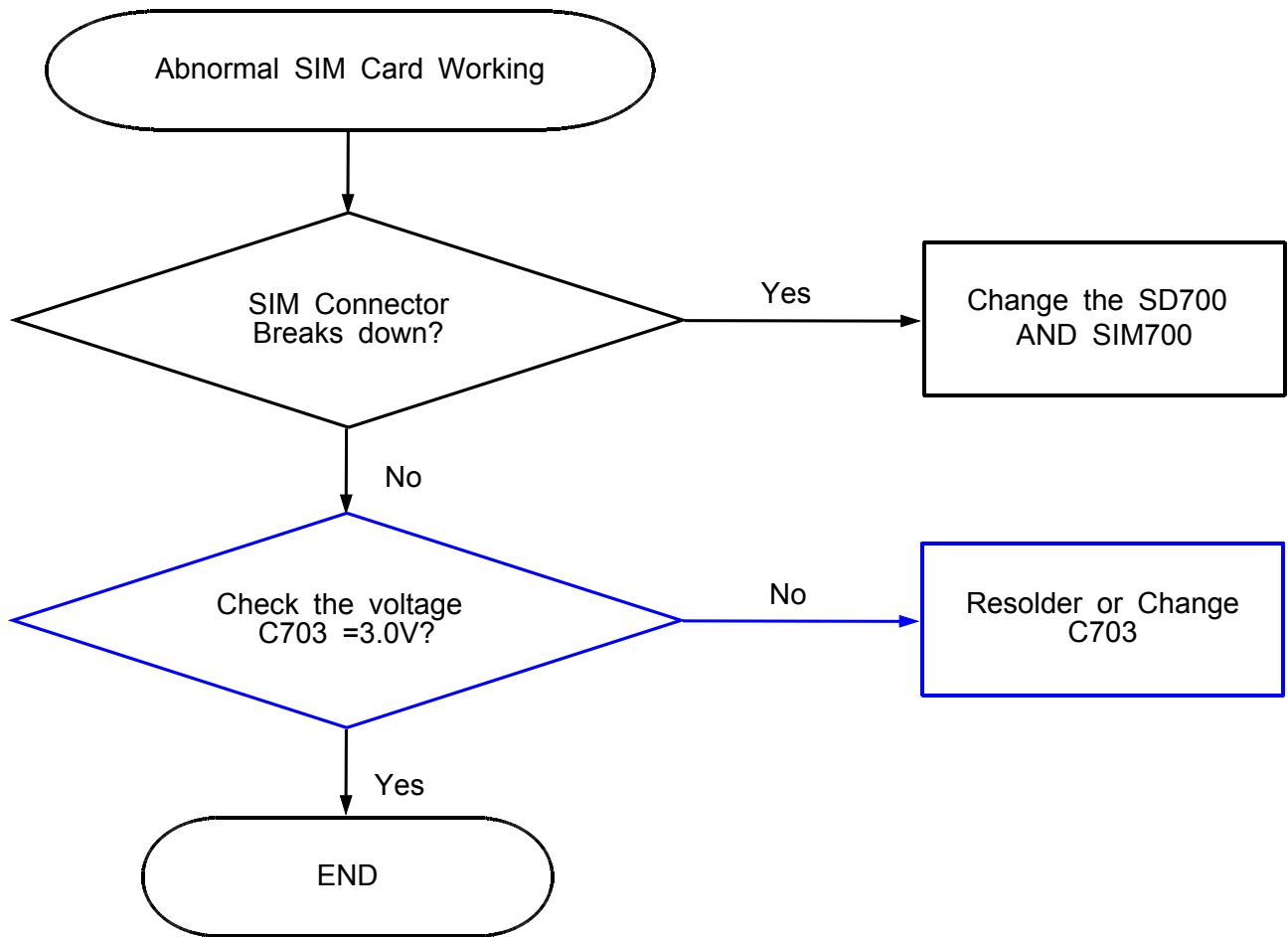


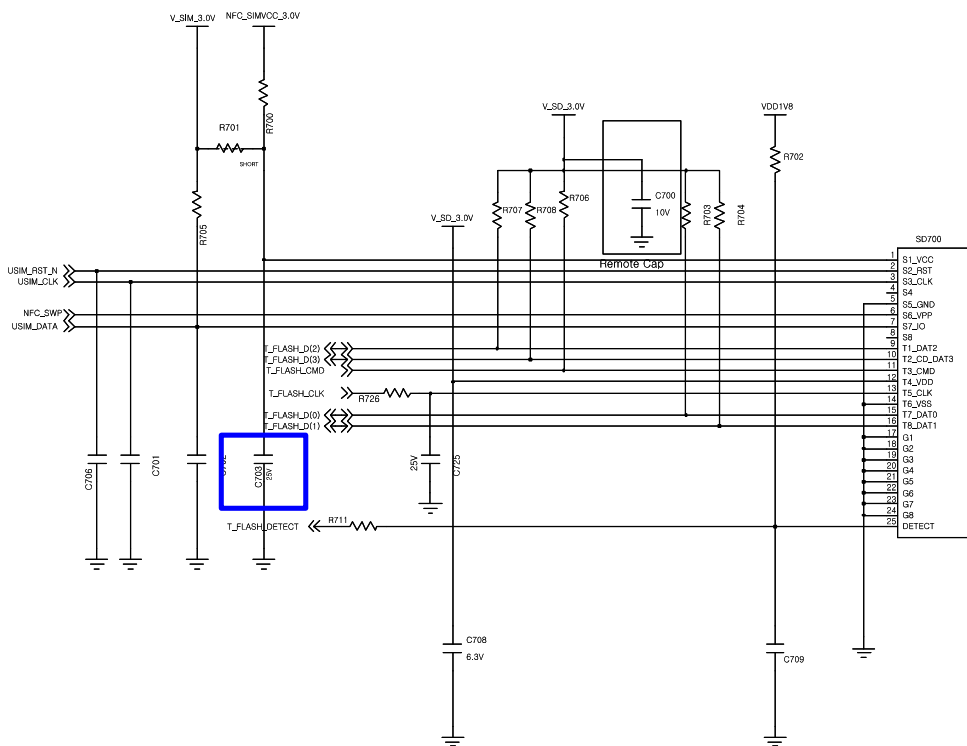
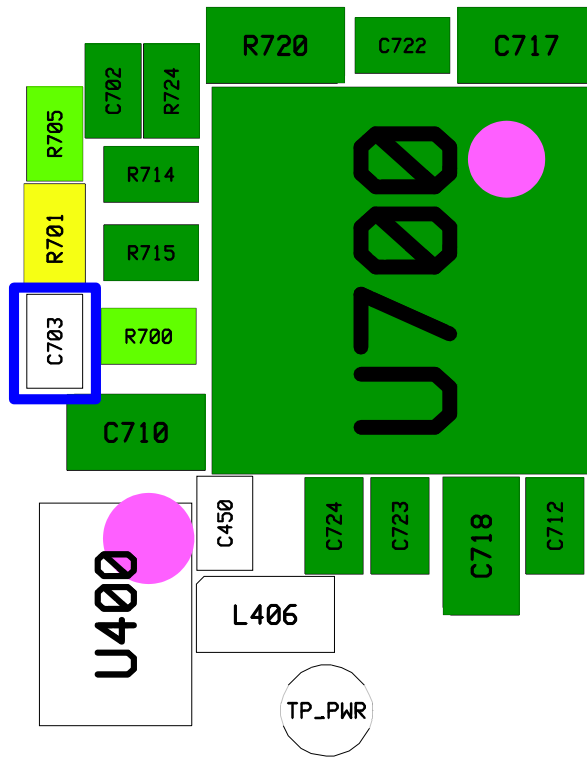


MAIN MIC



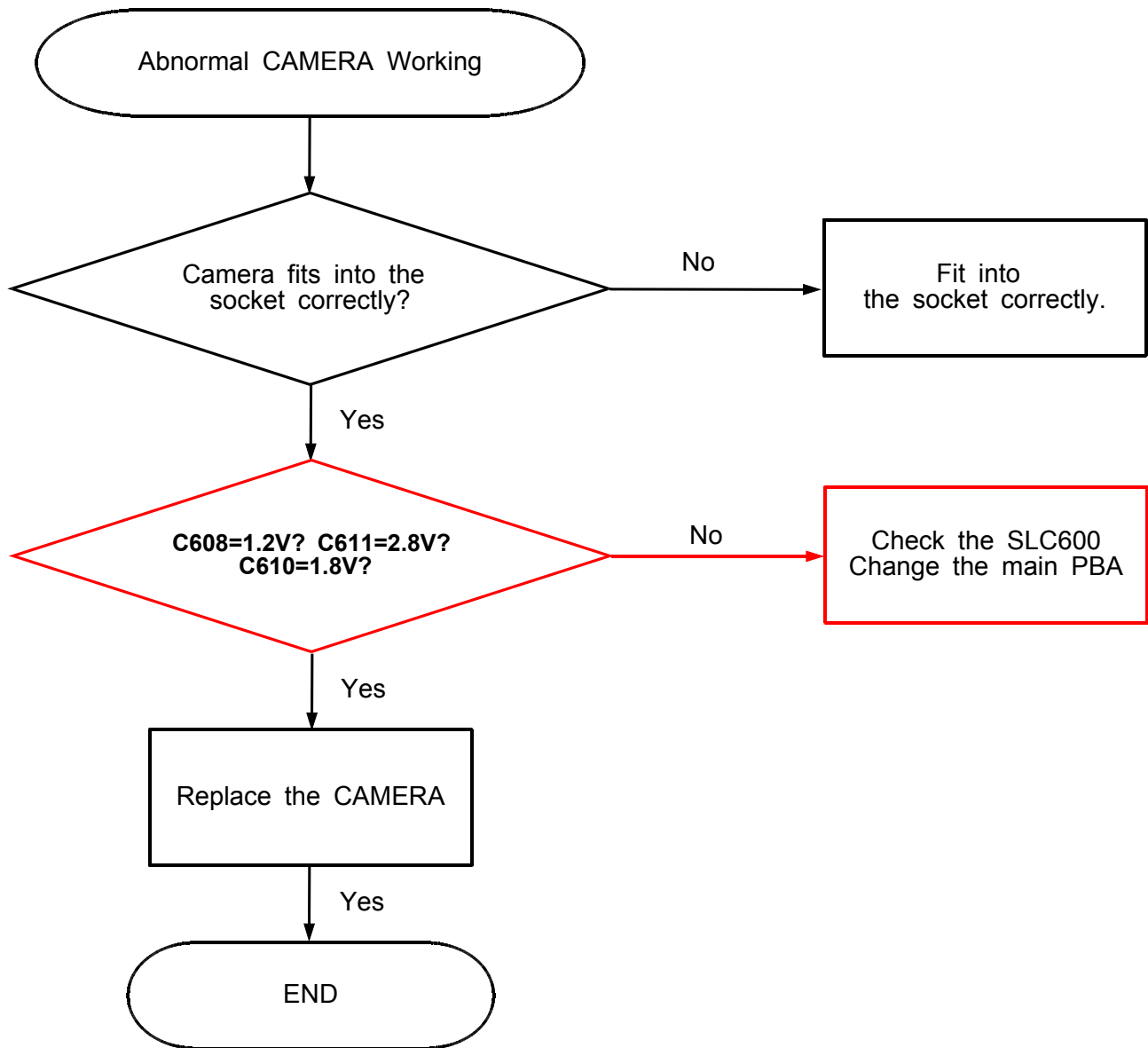
8-3-7. SIM Card Working

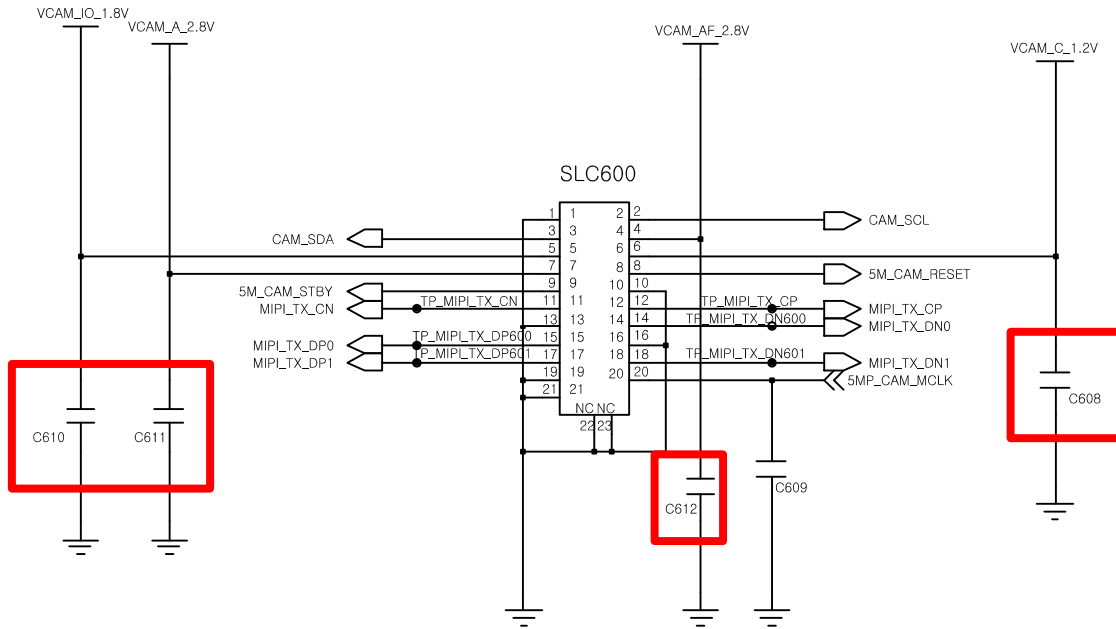




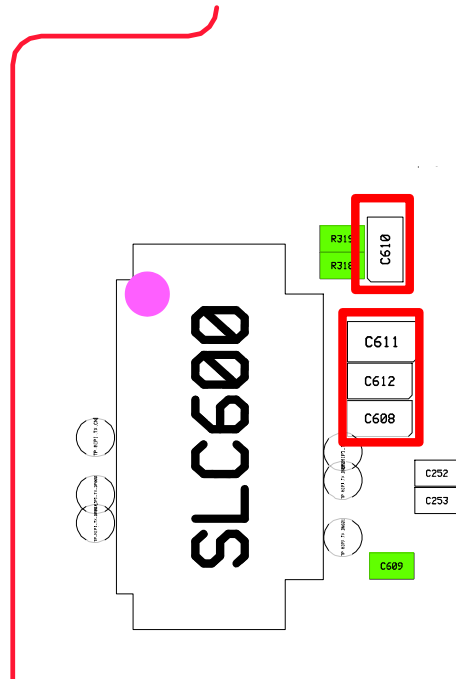
SD & SIM CON

8-3-8. CAMERA Working





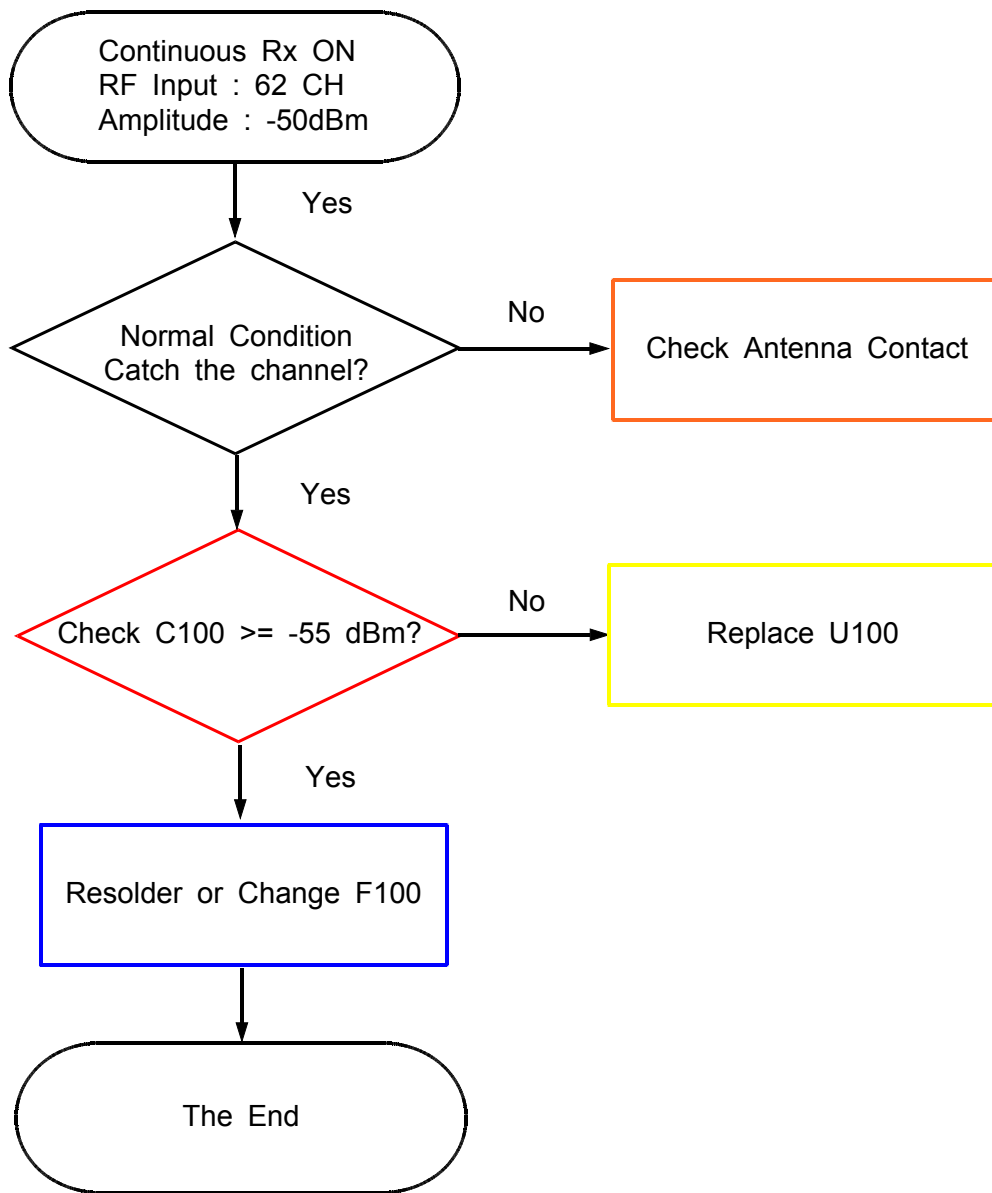
5M CAM



8-3-9. GSM850 RX

**If you check the tx chain,

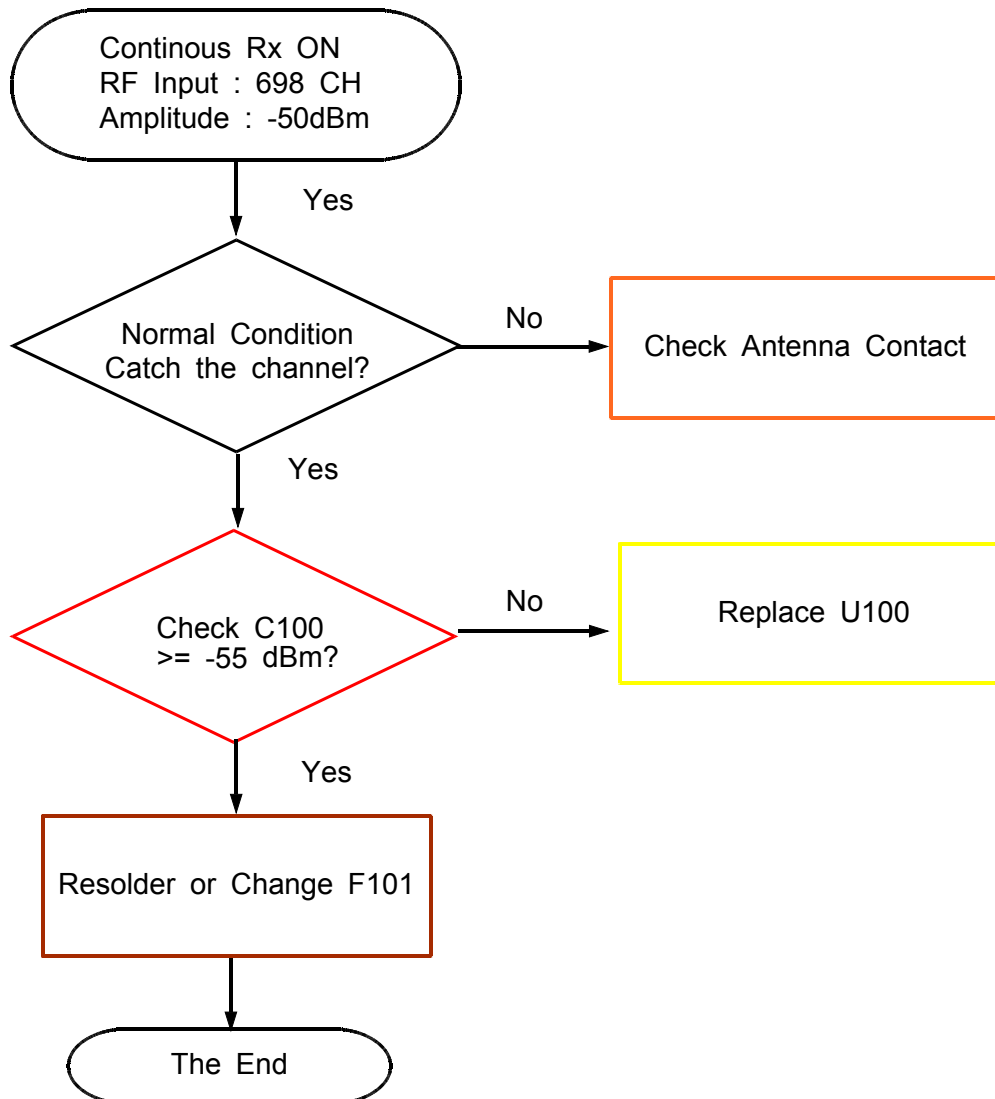
Check the not only RF Device but also resistor, inductor and capacitor.



8-3-10. DCS/PCS RX

**If you check the tx chain,

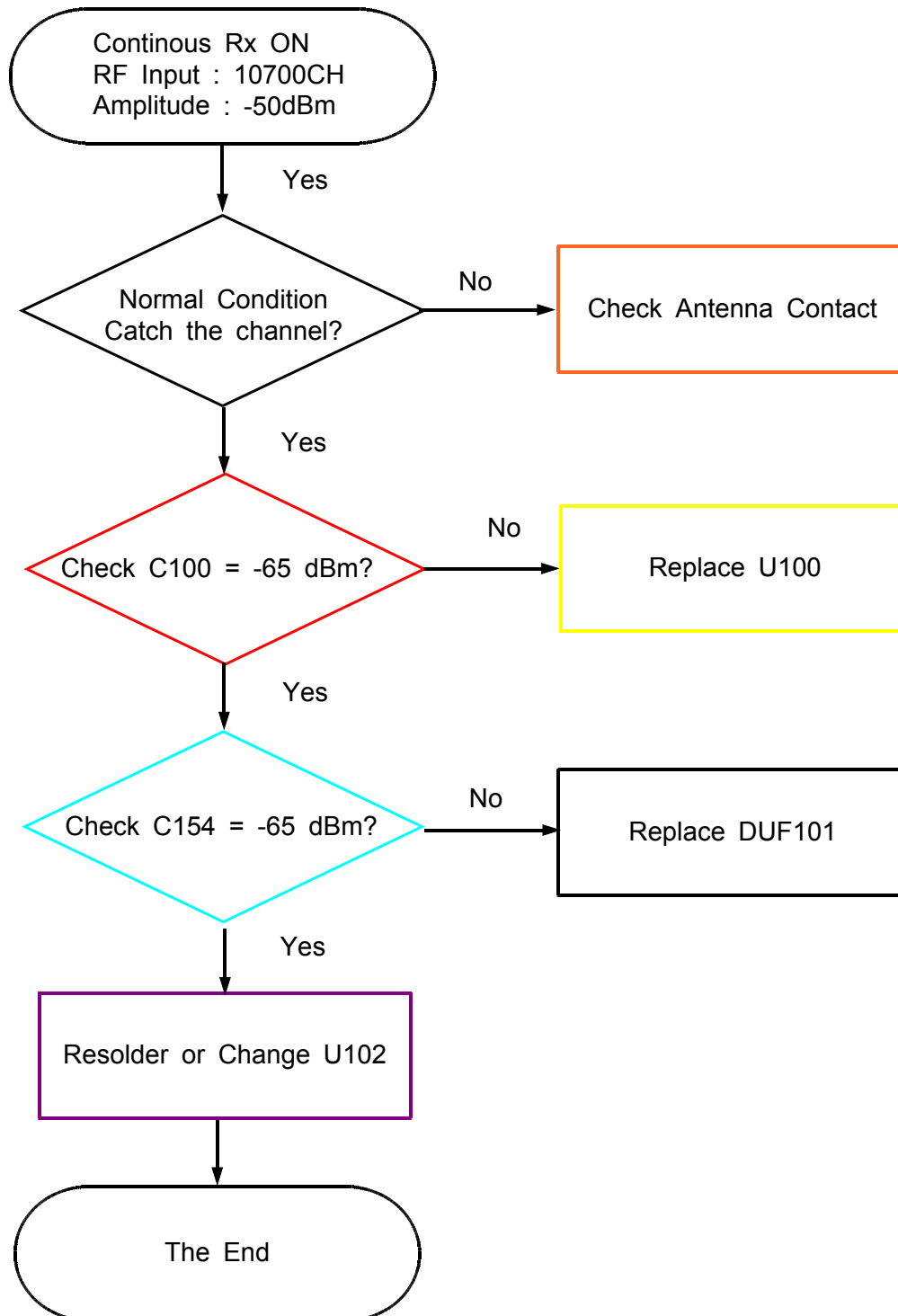
Check the not only RF Device but also resistor, inductor and capacitor.



8-3-11. WCDMA Band1 RX

**If you check the tx chain,

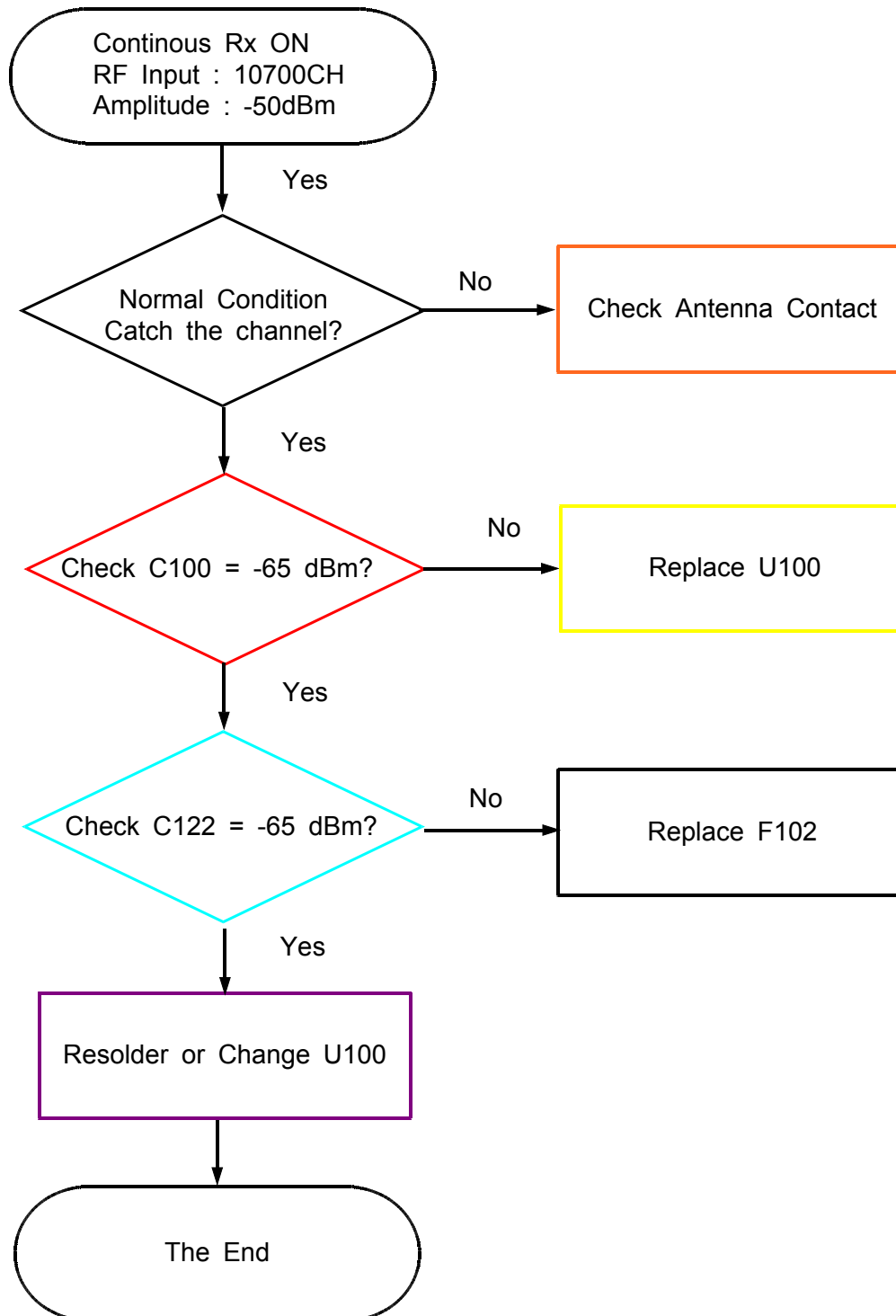
Check the not only RF Device but also resistor, inductor and capacitor.



8-3-12. WCDMA Band2 RX

**If you check the tx chain,

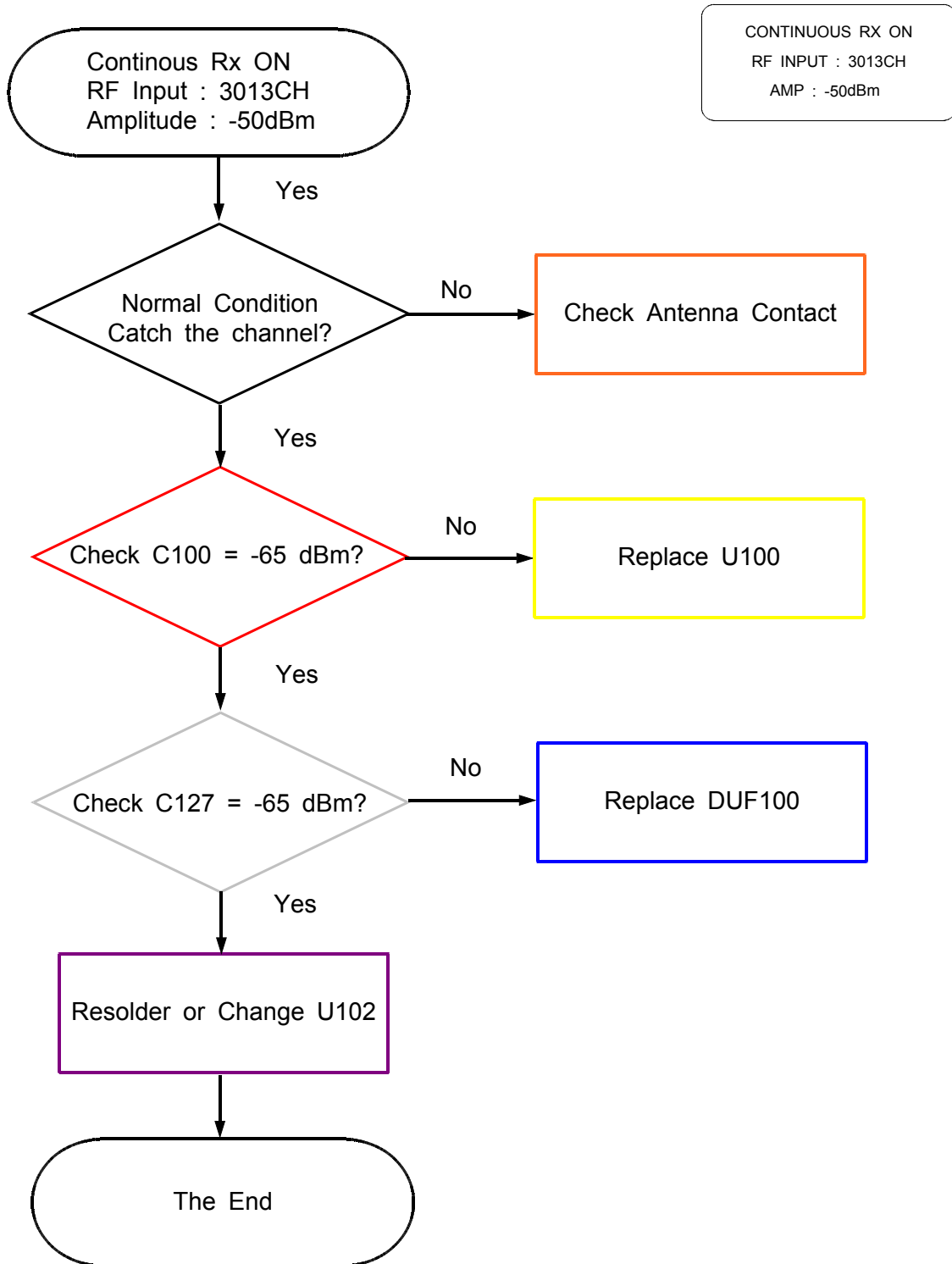
Check the not only RF Device but also resistor, inductor and capacitor.



8-3-13. WCDMA Band8 RX

**If you check the tx chain,

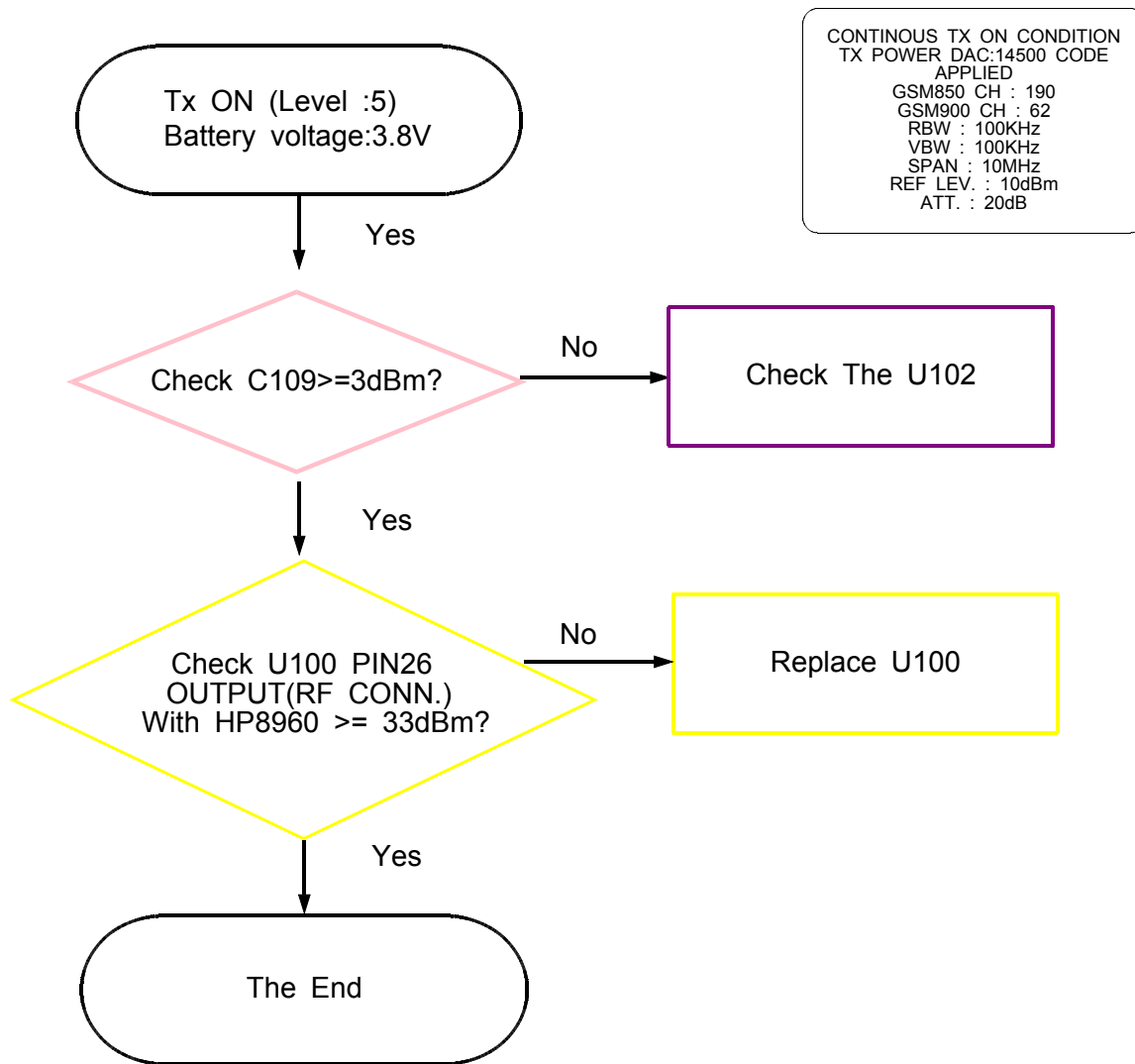
Check the not only RF Device but also resistor, inductor and capacitor.



8-3-14. GSM850/900 TX

**If you check the tx chain,

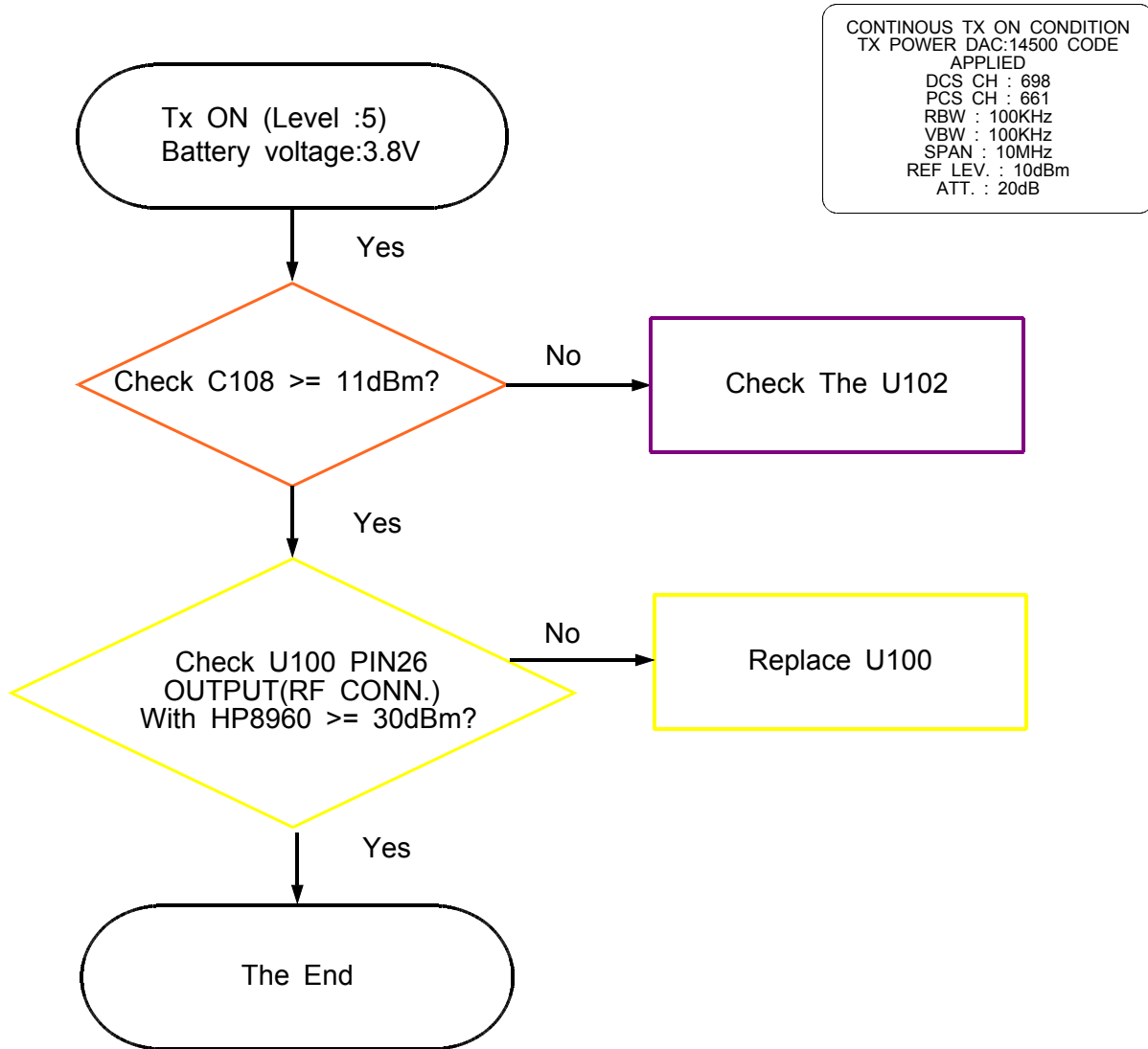
Check the not only RF Device but also resistor, inductor and capacitor.



8-3-15. DCS/PCS TX

**If you check the tx chain,

Check the not only RF Device but also resistor, inductor and capacitor.

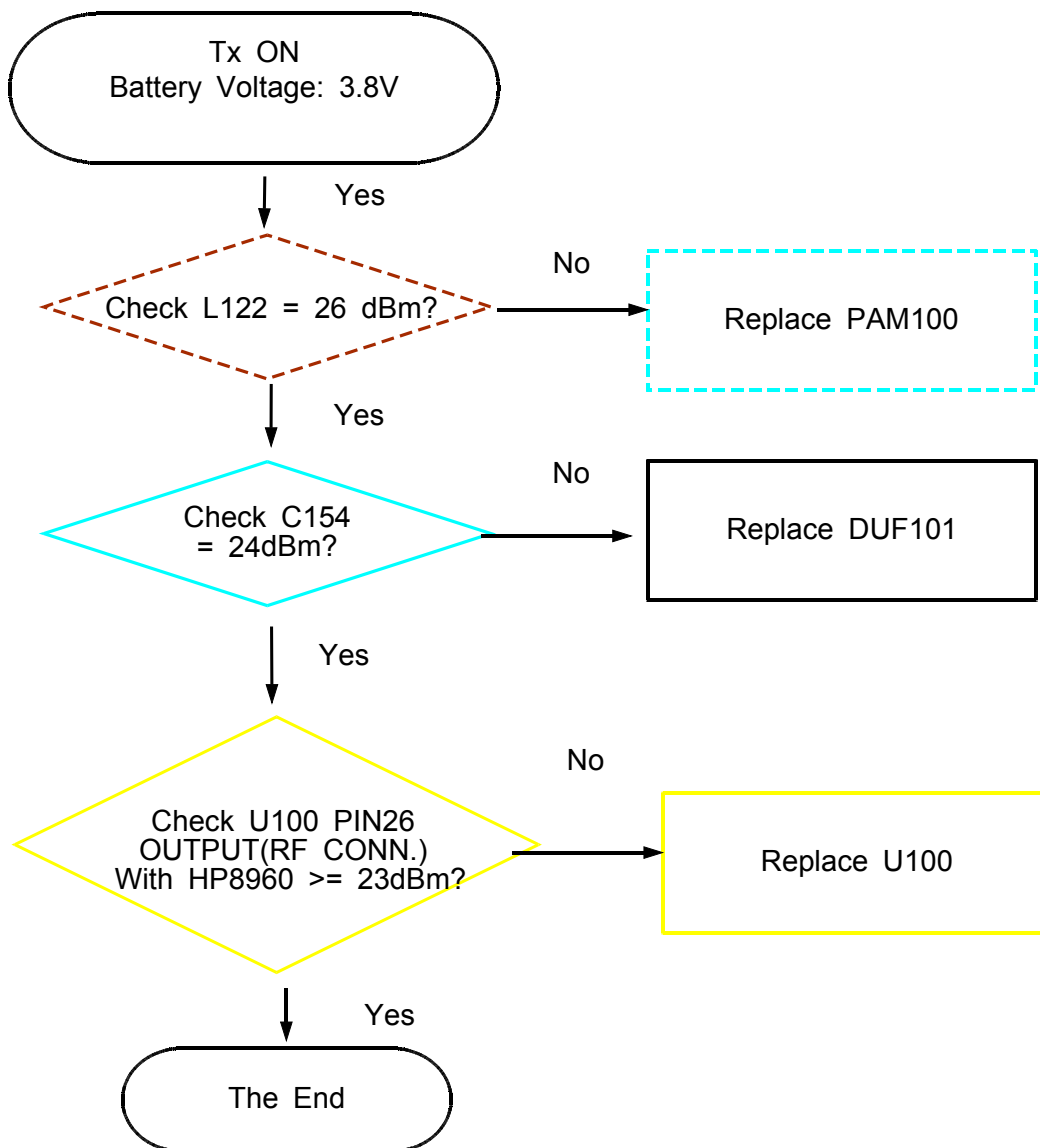


8-3-16. WCDMA Band1 TX

**If you check the tx chain,

Check the not only RF Device but also resistor, inductor and capacitor.

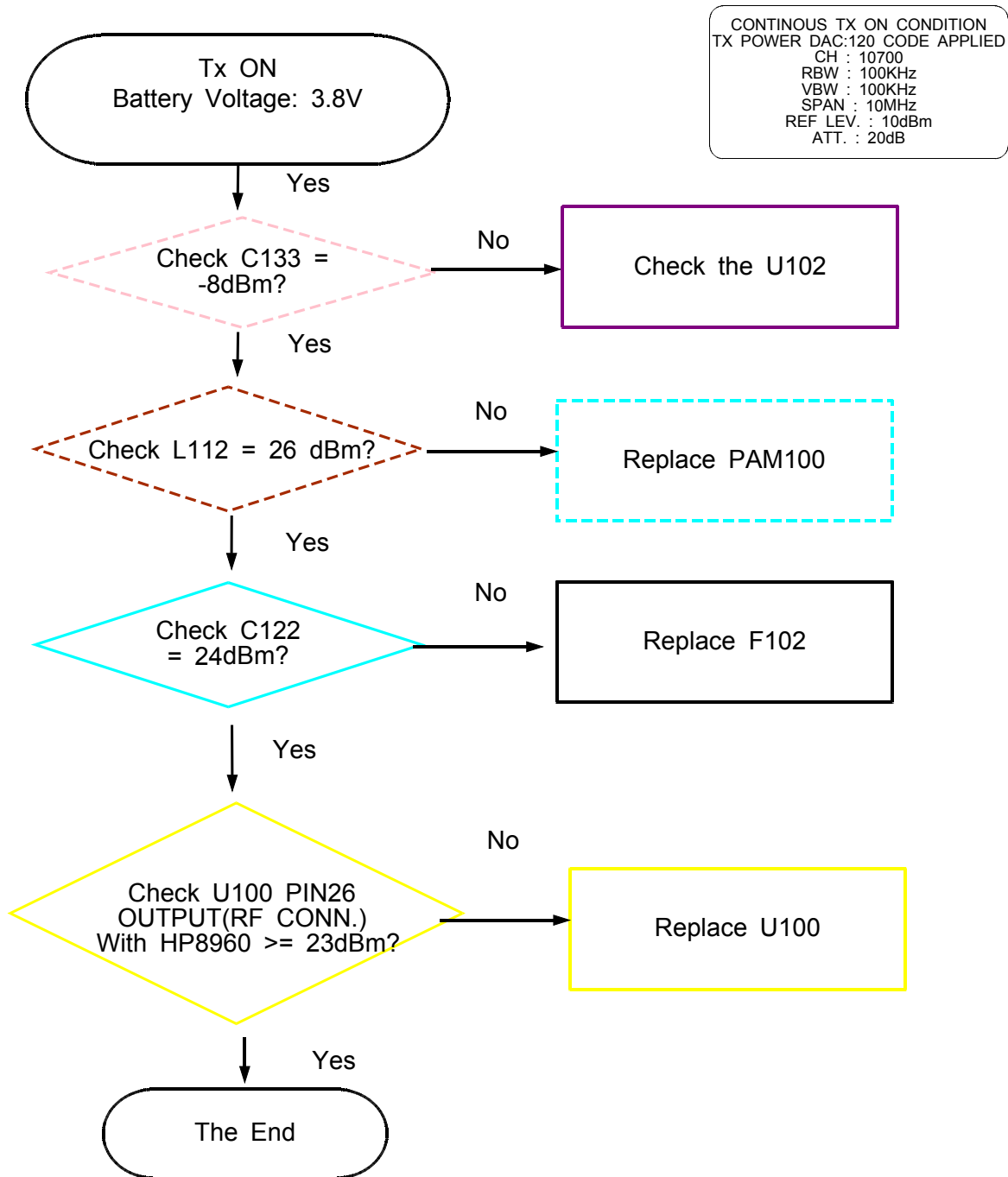
CONTINUOUS TX ON CONDITION
 TX POWER DAC:120_CODE APPLIED
 CH : 10700
 RBW : 100KHz
 VBW : 100KHz
 SPAN : 10MHz
 REF.LEV. : 10dBm
 ATT. : 20dB



8-3-17. WCDMA Band2 TX

**If you check the tx chain,

Check the not only RF Device but also resistor, inductor and capacitor.

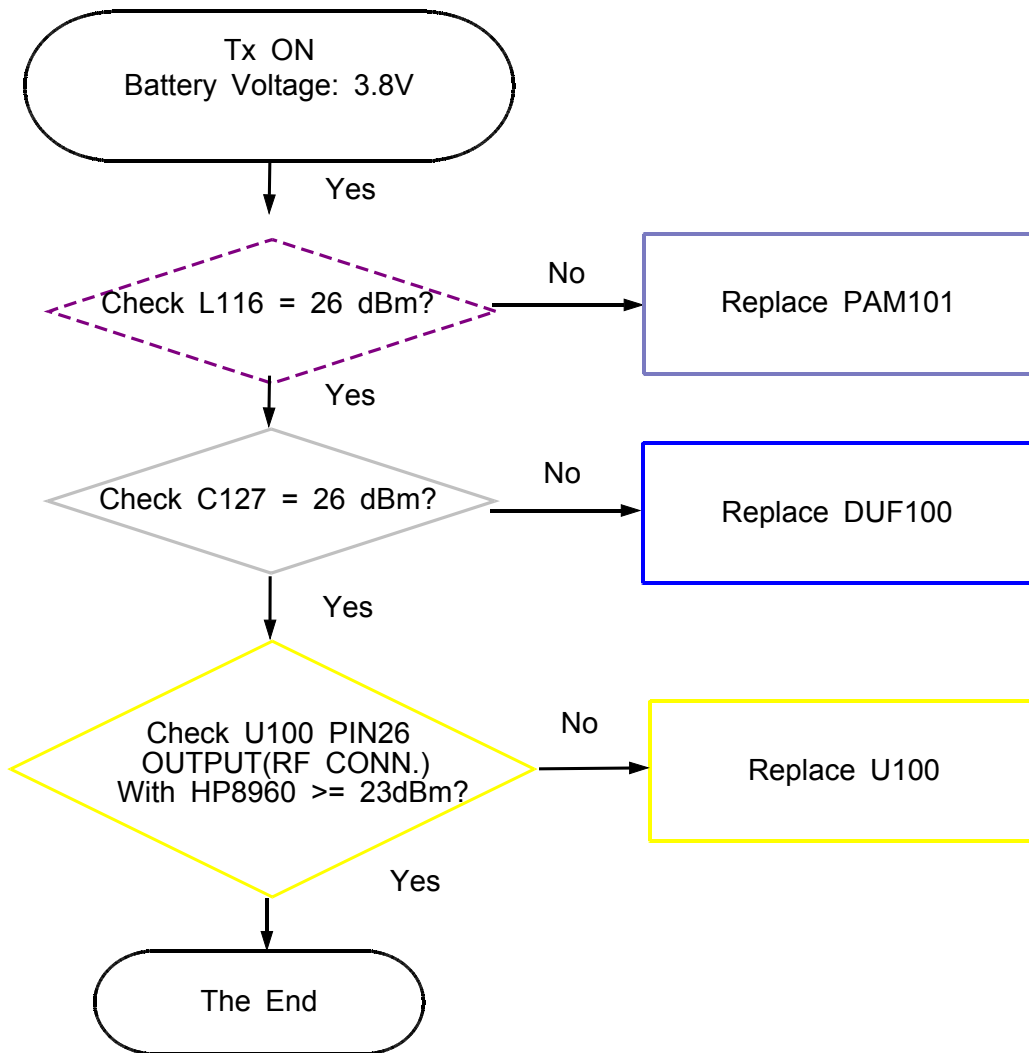


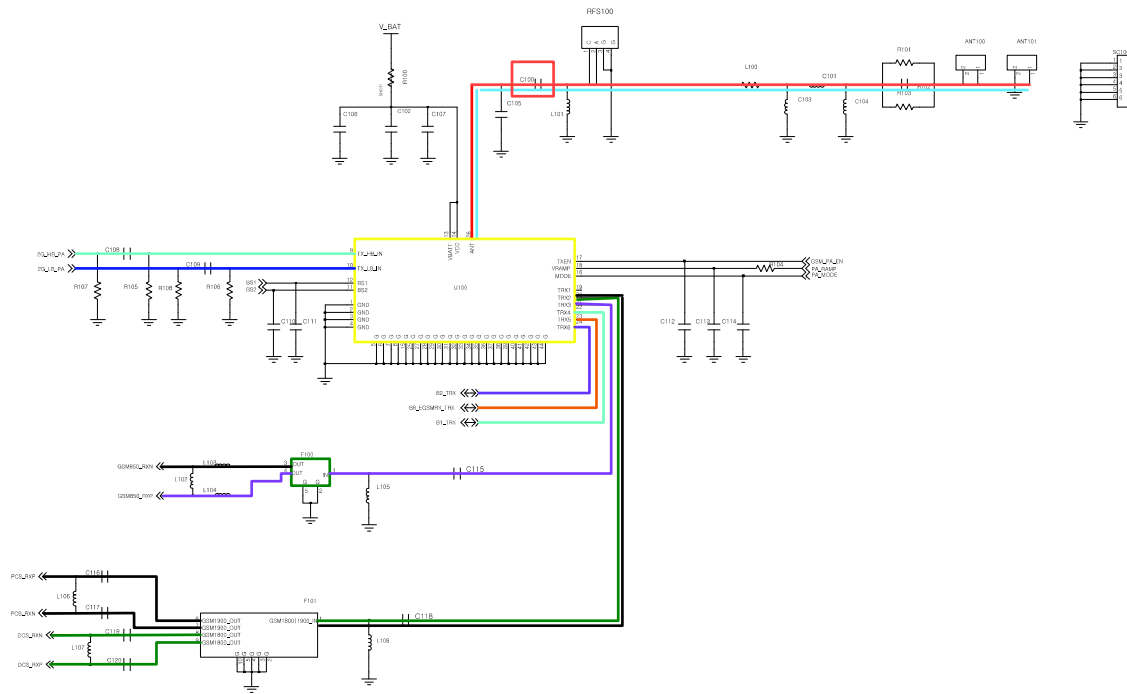
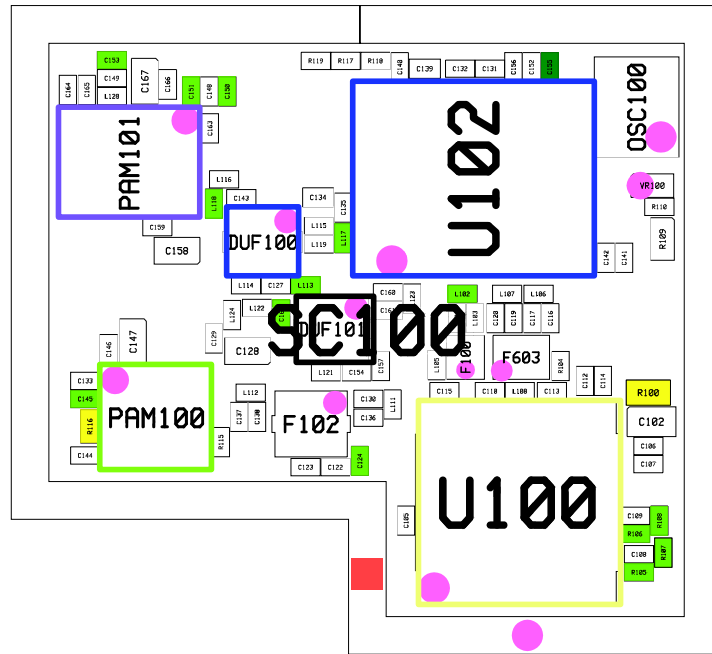
8-3-18. WCDMA Band8 TX

**If you check the tx chain,

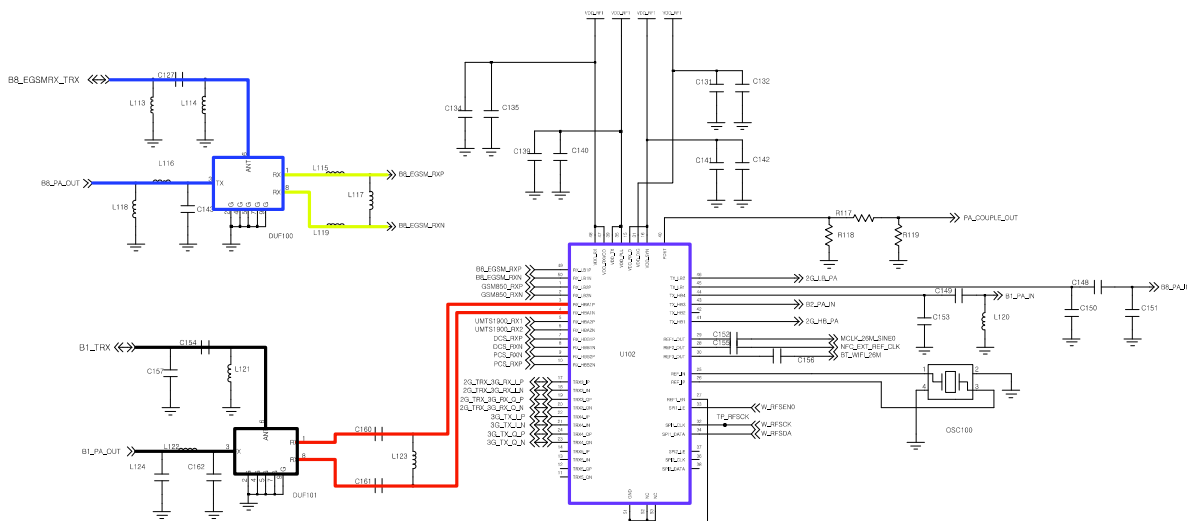
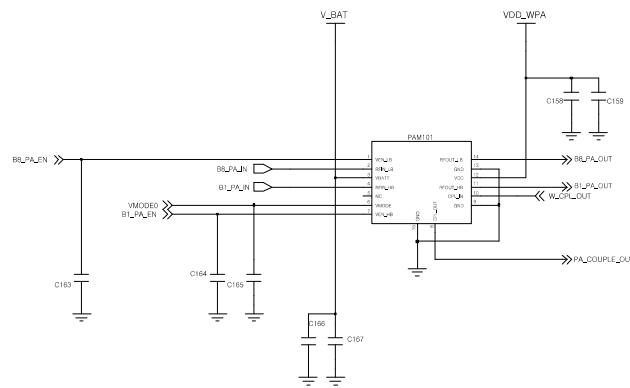
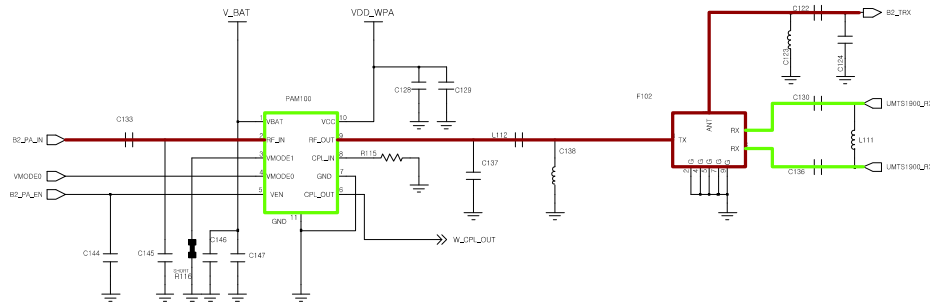
Check the not only RF Device but also resistor, inductor and capacitor.

CONTINUOUS TX ON CONDITION
 TX POWER DAC:120 CODE APPLIED
 CH : 3013
 RBW : 100KHz
 VBW : 100KHz
 SPAN : 10MHz
 REF LEV. : 10dBm
 ATT. : 20dB



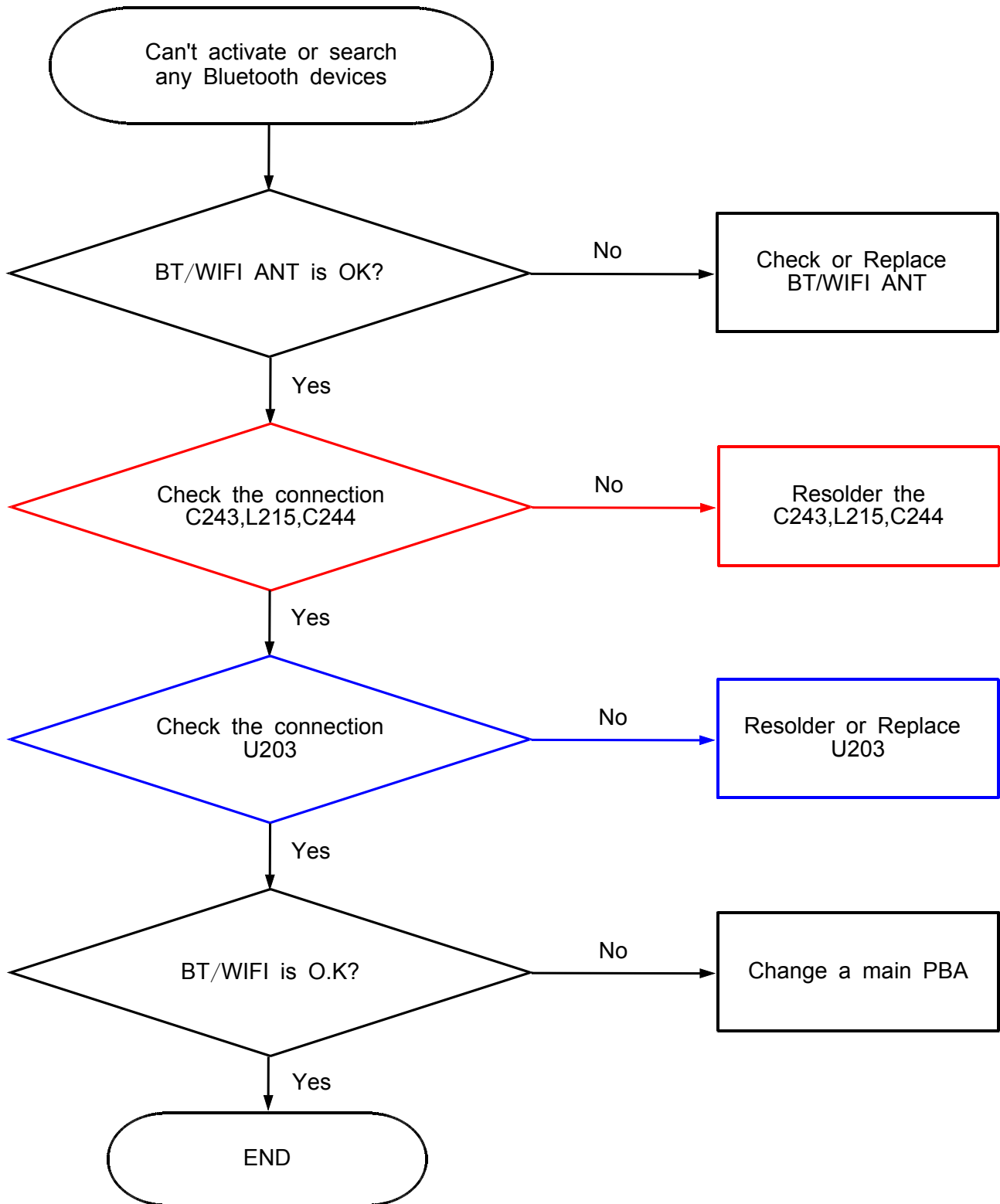


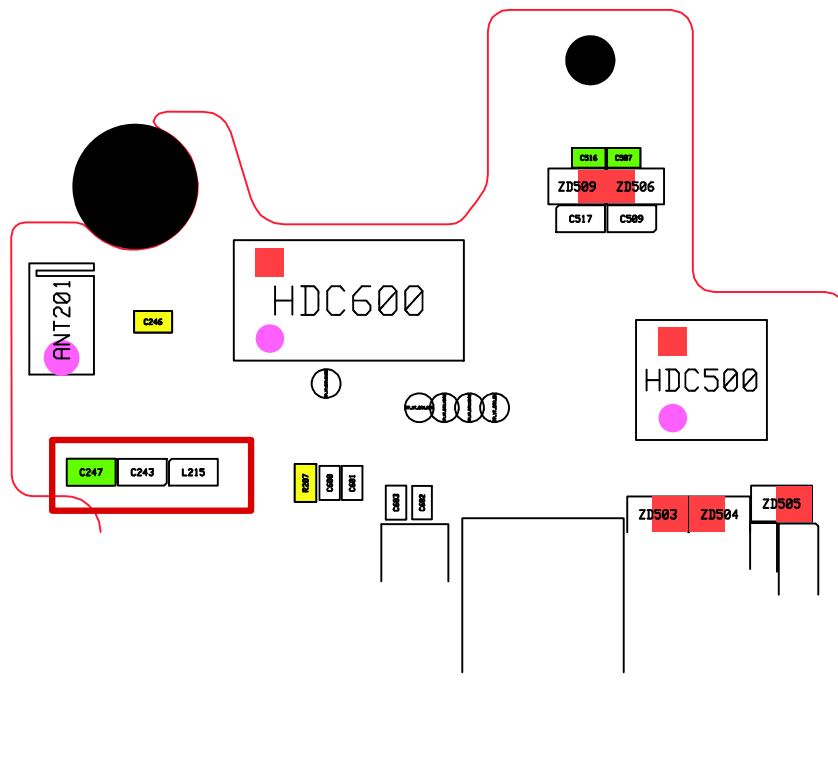
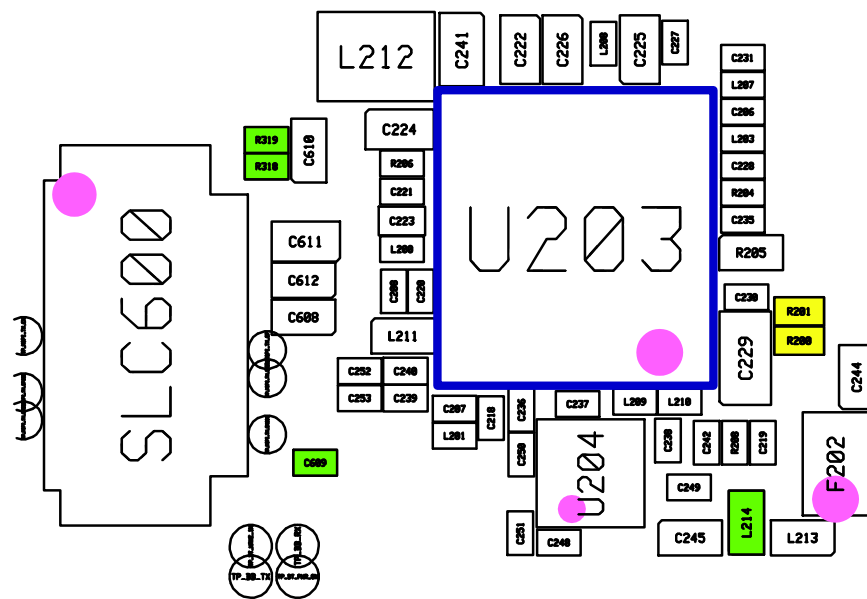
	VMODE0
High gain	L
Low gain	H

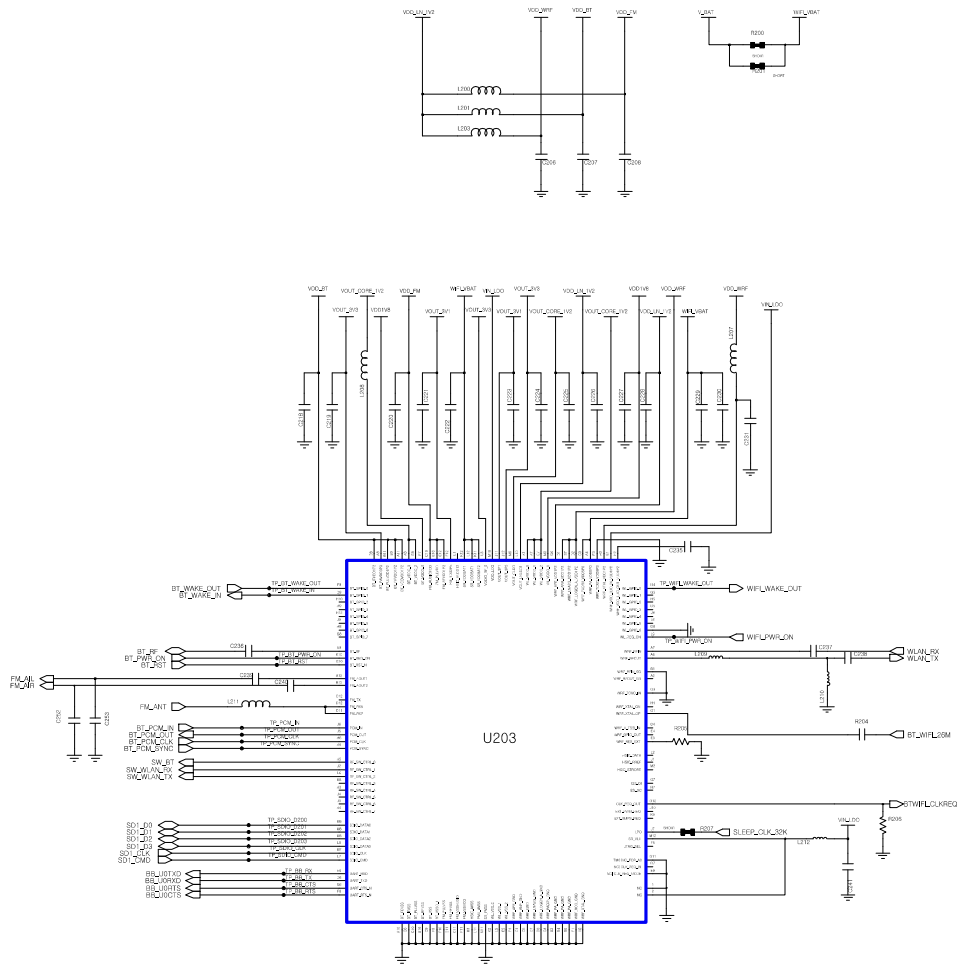


TRANSCEIVER

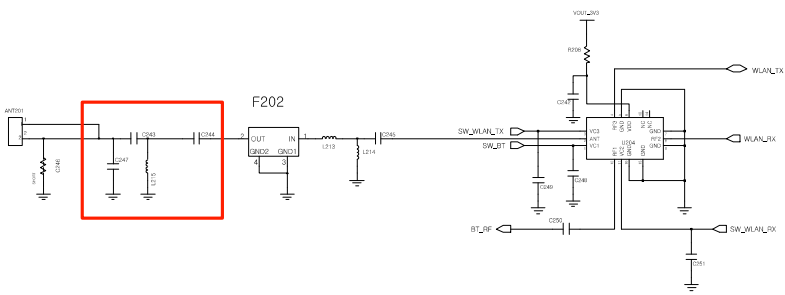
8-3-19. Bluetooth/WIFI







BT/WIFI Module



8-4. Service Schematics

● : NC

UME300 (Memory) ● ○

	1	2	3	4	5	6	7	8	9	10
A	●	●	○	○	○	○	○	○	●	●
B	●	○	○	○	○	○	○	○	○	●
C	○	●	○	●	○	●				
D	●	●	●	●	●	●				
E	○	●	●		○	○	○	○	○	●
F	○	○	●		○	○	○	○	○	○
G	○	○	○		○	○	○	○	○	○
H	○	○	○		○	○	○	○	○	○
J	○	○	○		○	○	○	○	○	○
K	○	○	○		○	○	○	○	○	○
L	○	○	○		○	○				
M	○	●	○		○	○	○	○	○	
N	○	○	●		○	○				
P	○	○	●		○	○	○	○	○	○
R	○	○	○		○	○	○	○	○	○
T	○	○	○		○	○	○	○	○	○
U	○	○	○		○	○	○	○	○	○
V	○	○	●		○	○	○	○	○	○
W	●	●	●		○	○	○	○	○	●
Y	●	●							●	●

U403 (MicroUSB Switching IC)

	1	2	3
A	O	O	O
B	O	O	O
C	O	O	O
D	O	O	O
E	O	O	O
F	O	O	O

U402 (Load Switch)

	1	2
A	O	O
B	O	O
C	O	O