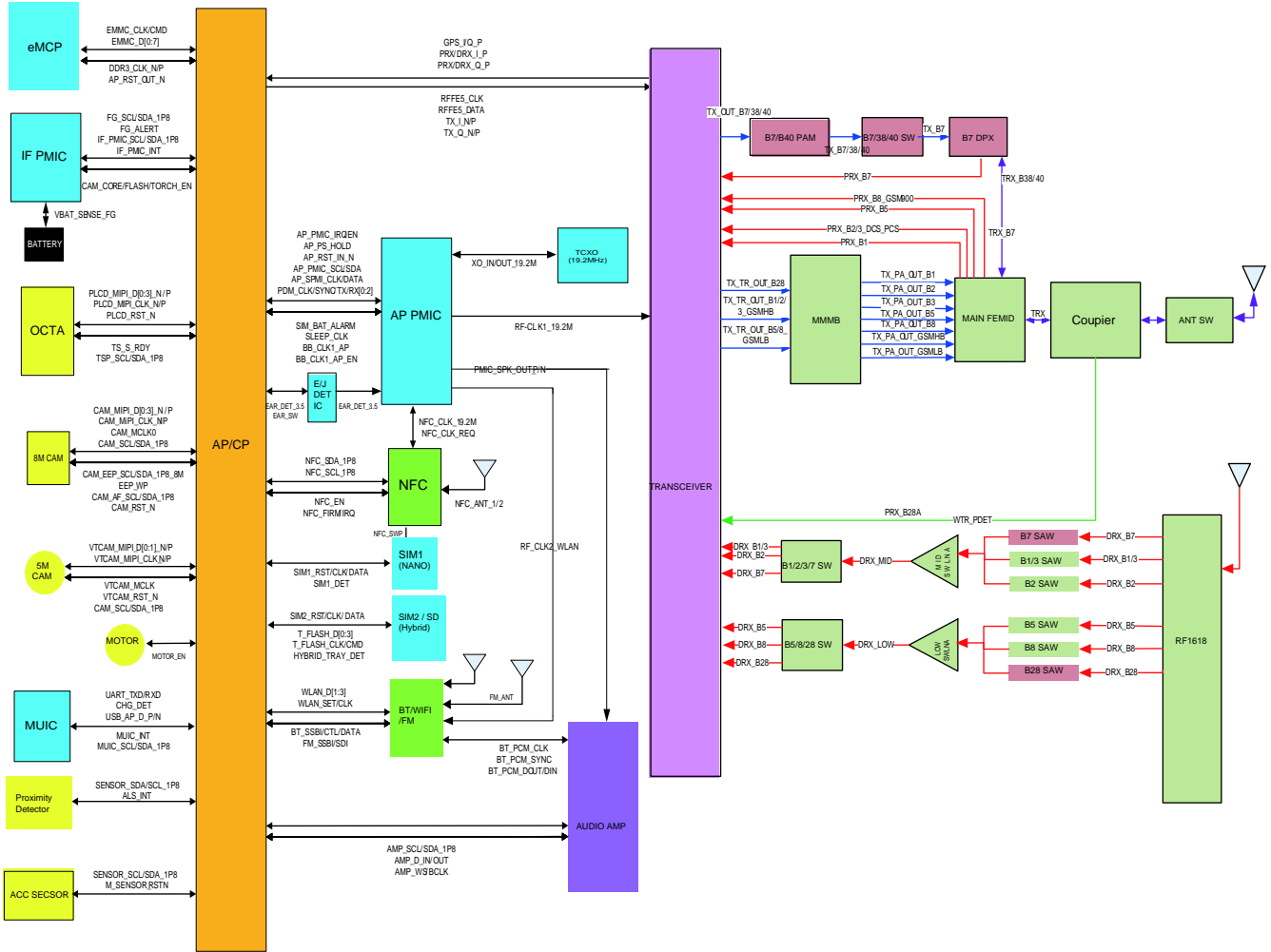
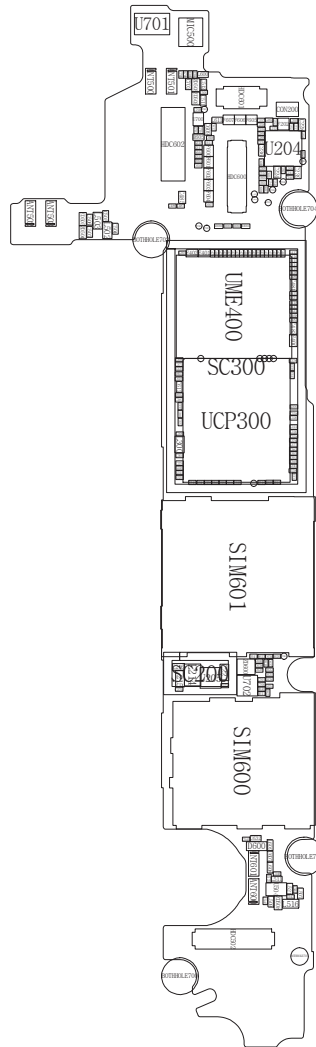


8. Level 3 Repair

8-1. Block Diagram



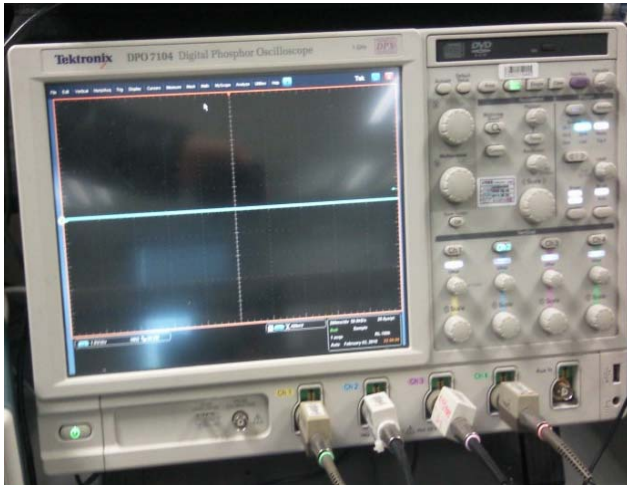
8-2. PCB Diagrams
8-2-1. Main PCB Top



2-2. Bottom



8-2-3. Equipments



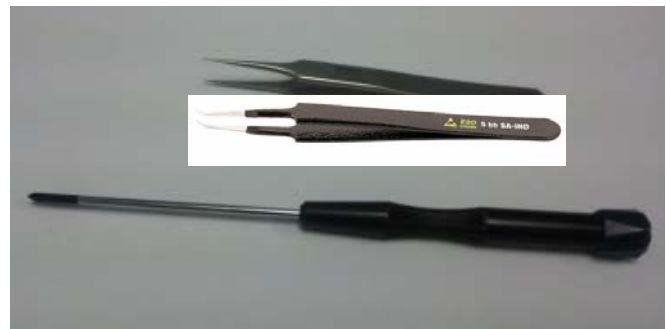
↑ Oscilloscope



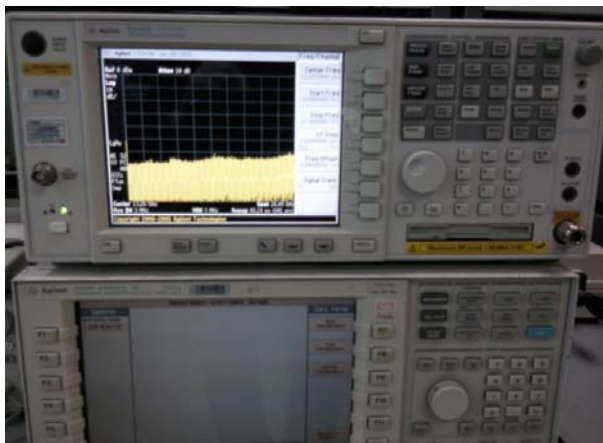
↑ Digital Multimeter



↑ Power Supply



↑ + driver, ESD Safe Tweezer



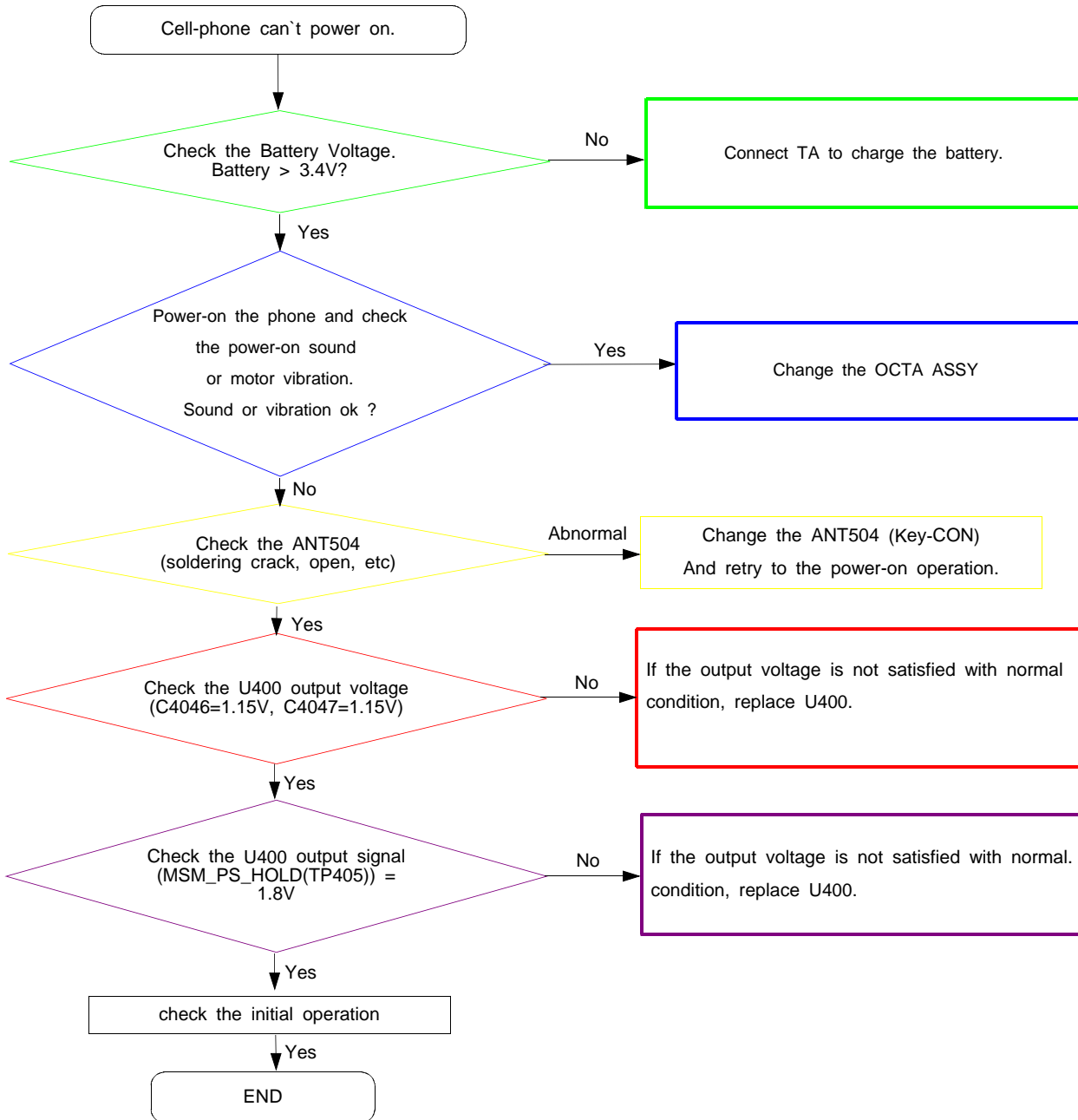
↑ 8960 & Spectrum Analyzer

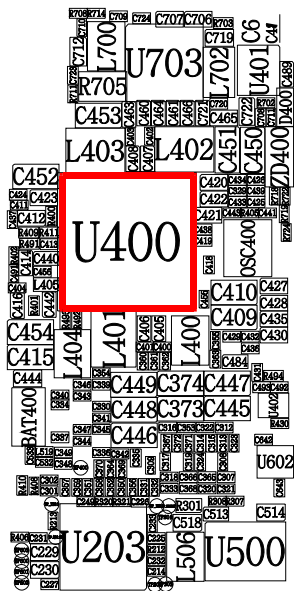
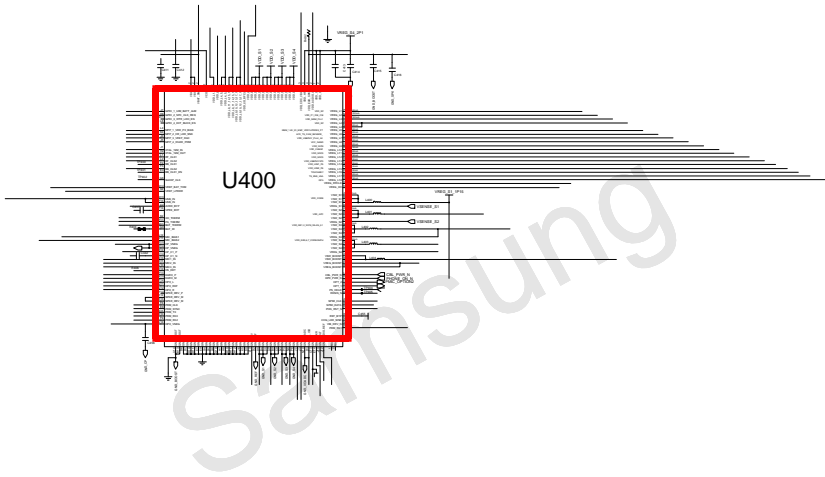
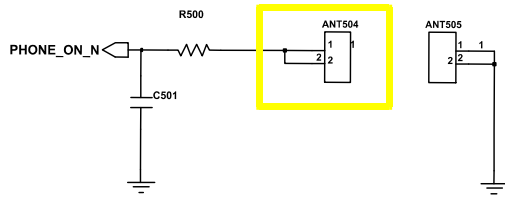


↑ Soldering iron

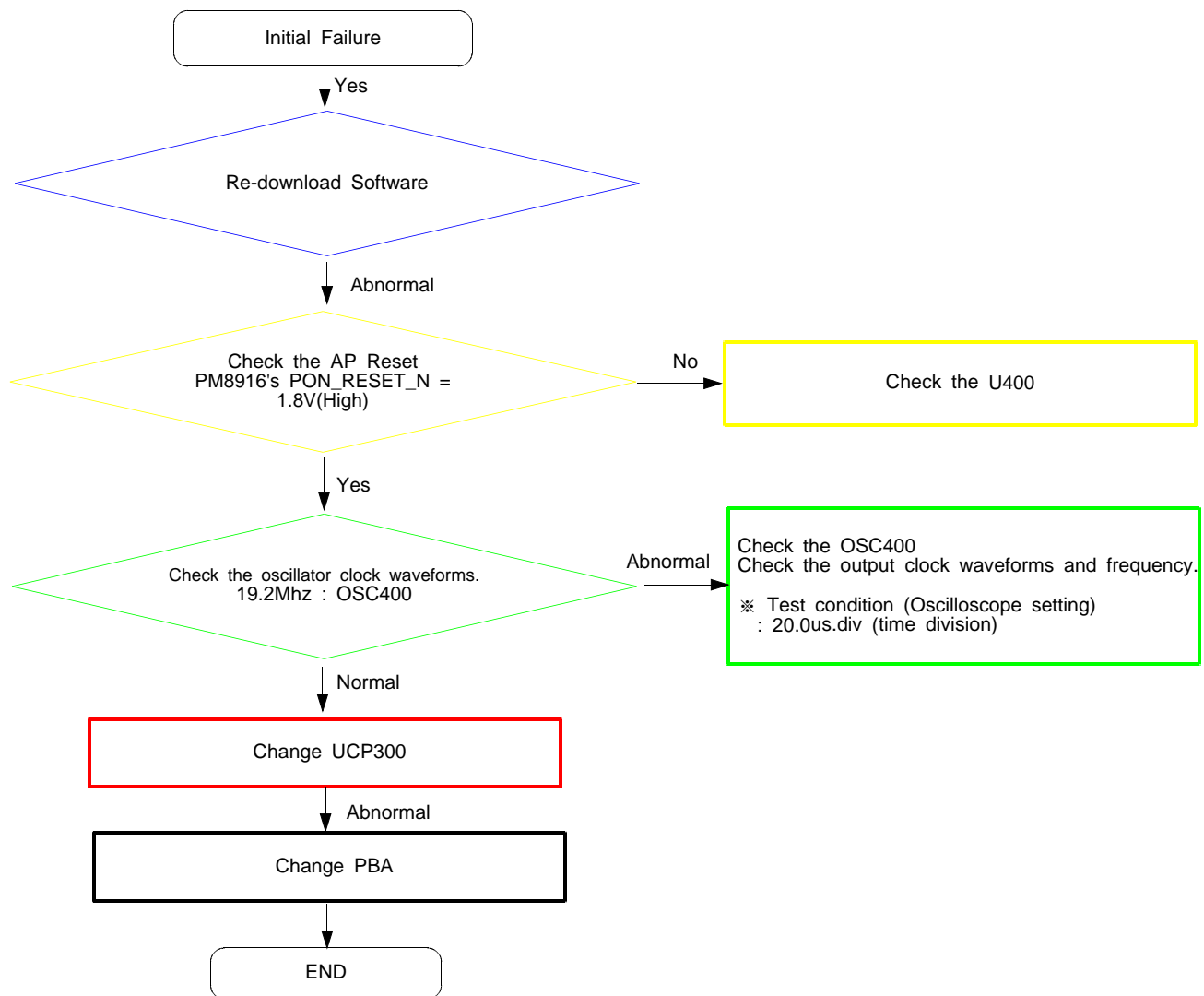
8-3. Flow Chart of Troubleshooting

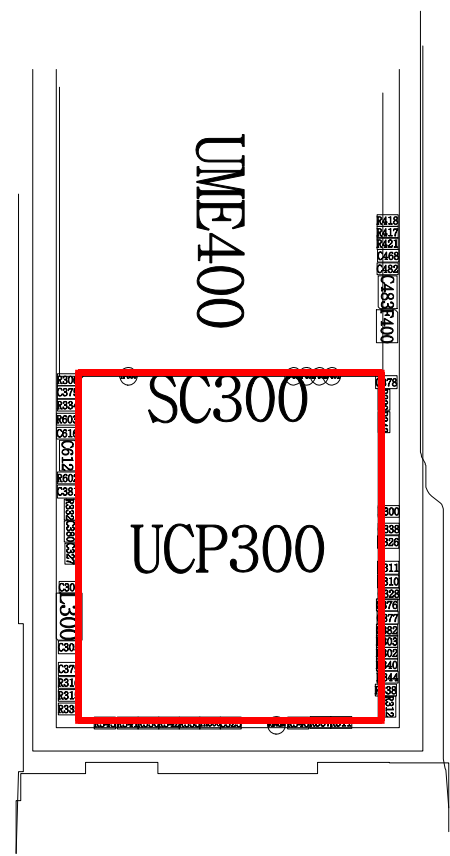
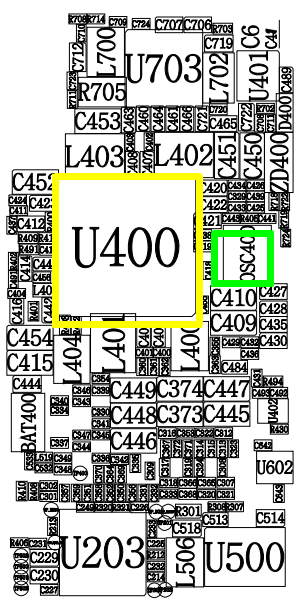
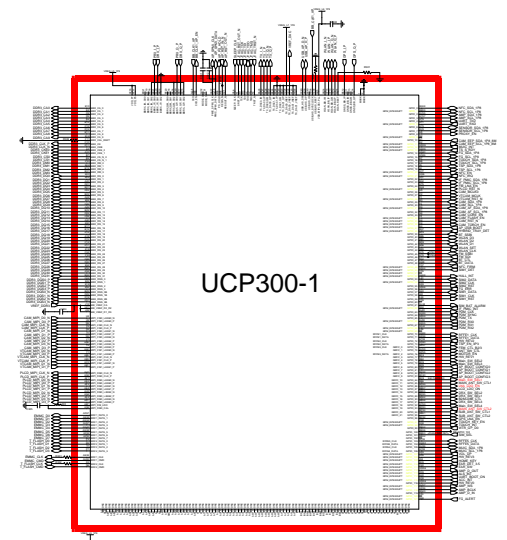
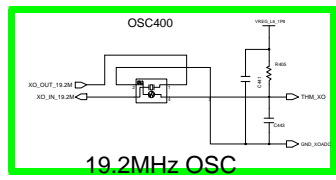
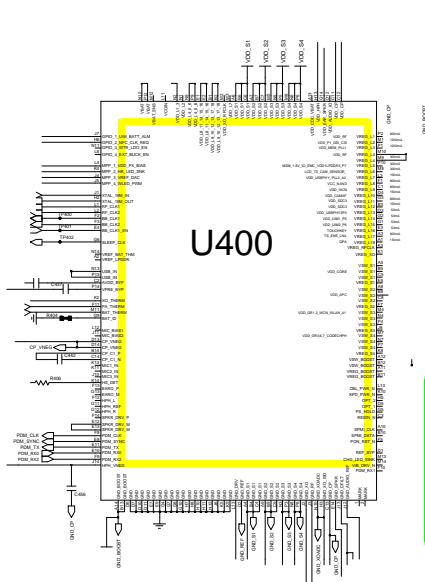
8-3-1. Power On



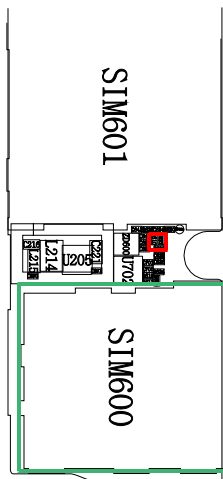
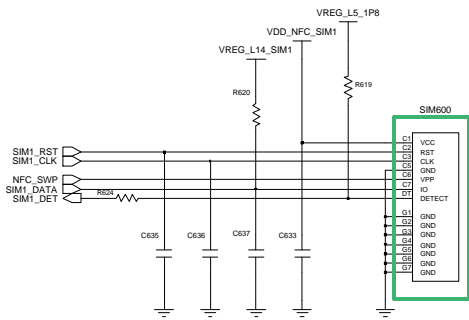
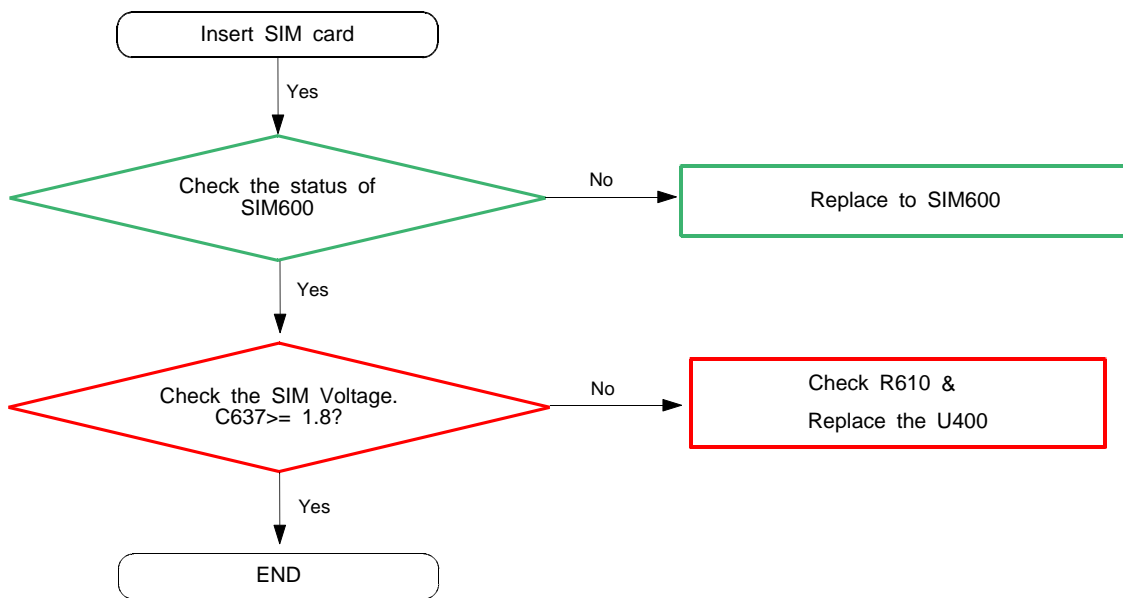


8-3-2. Initial

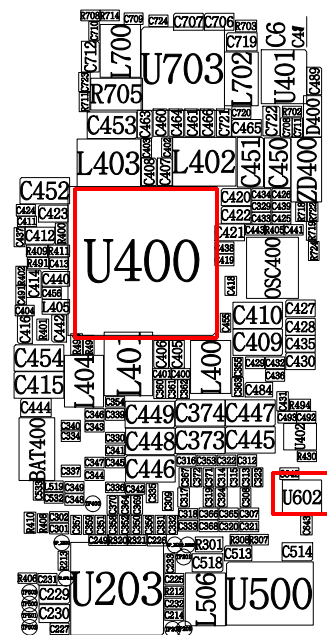
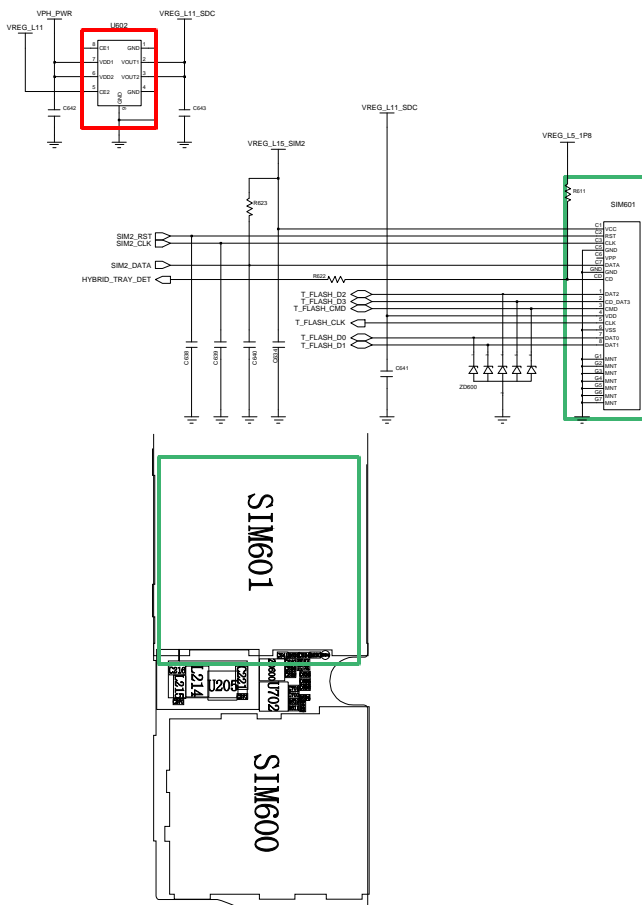
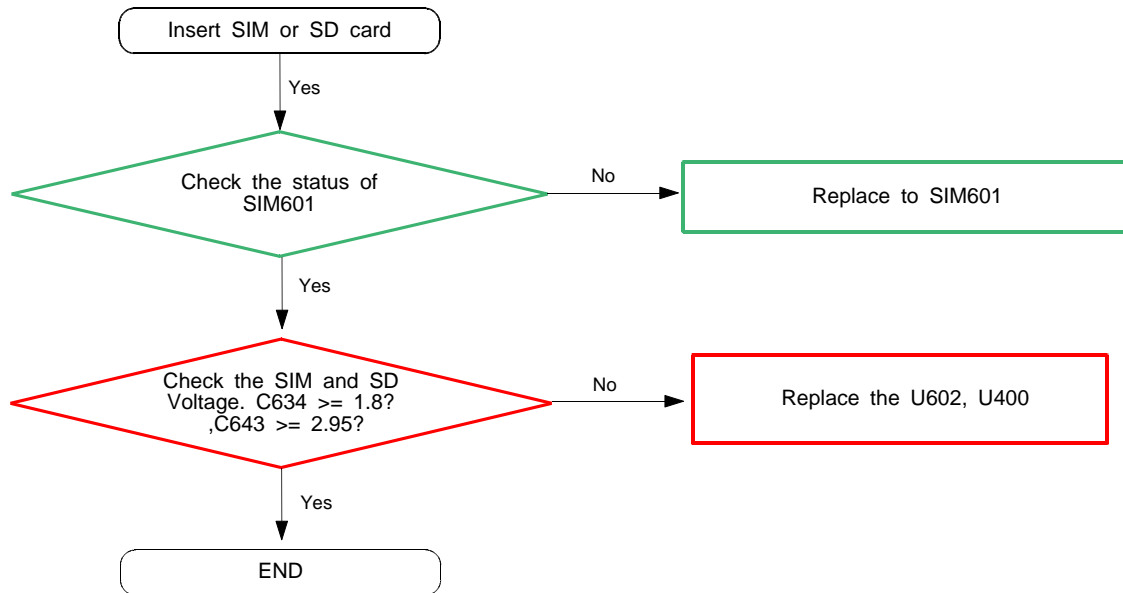




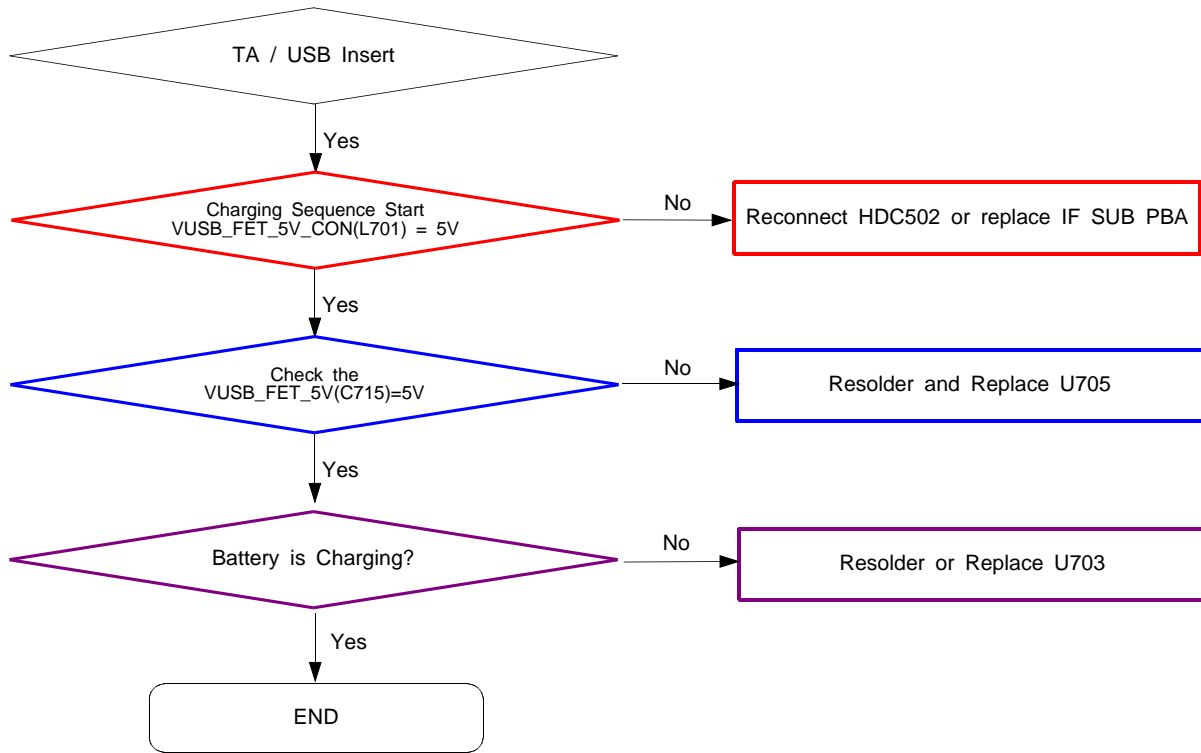
8-3-3. SIM1 Part



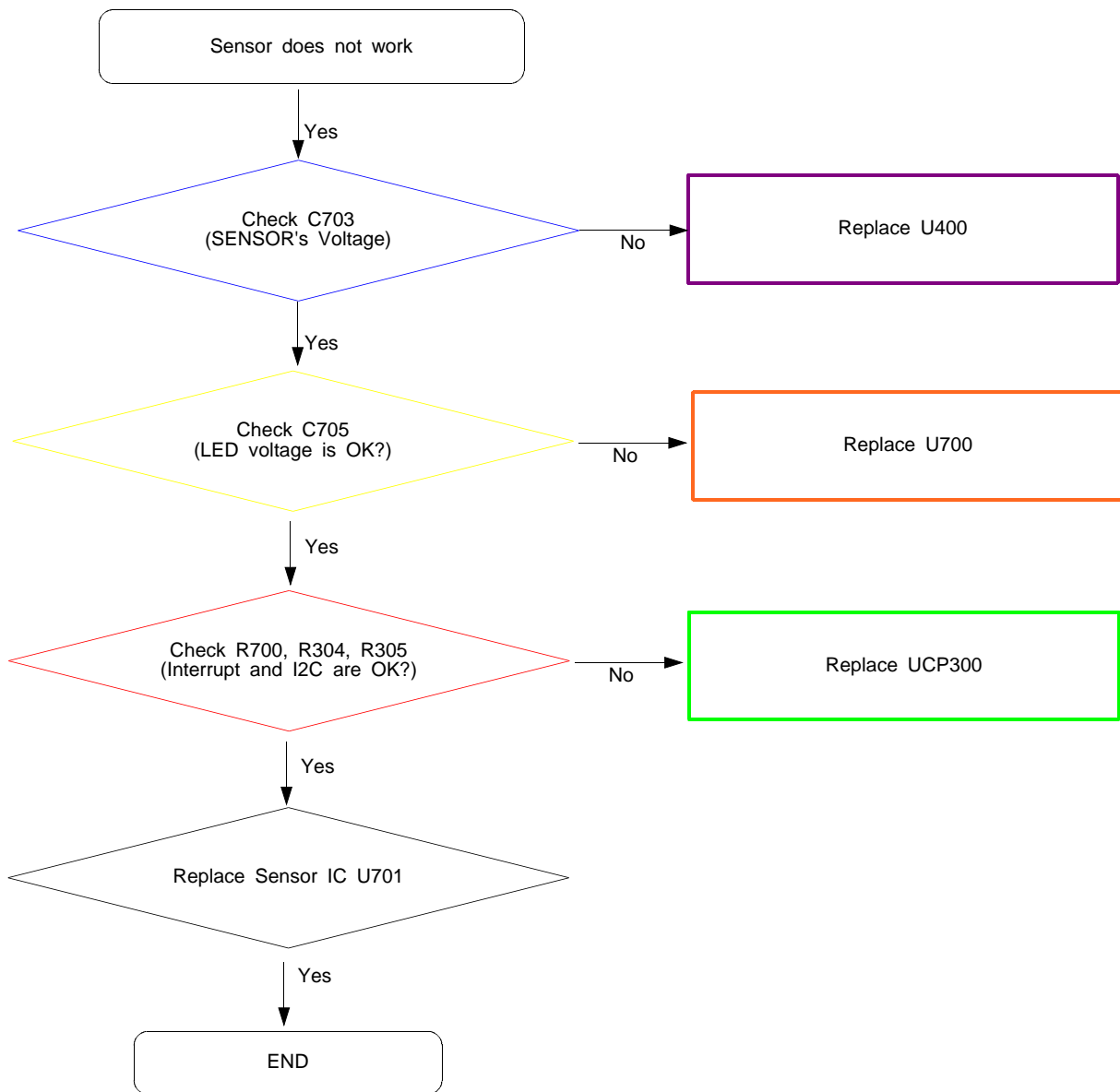
8-3-4. Hybrid Socket Part

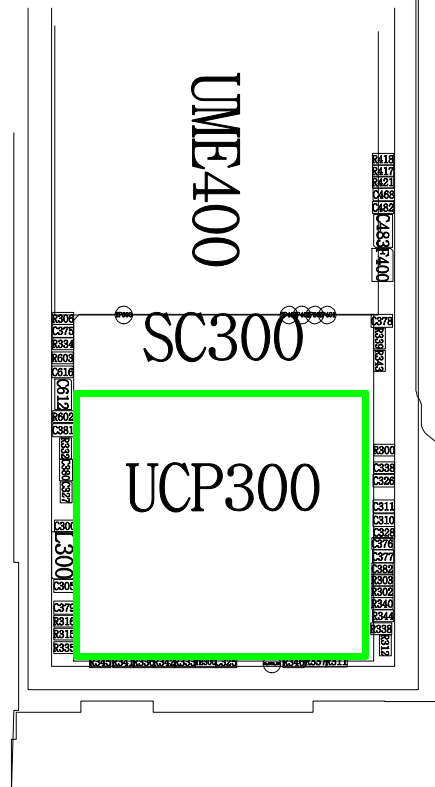
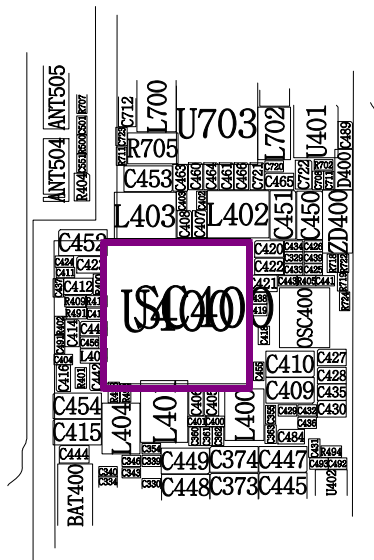
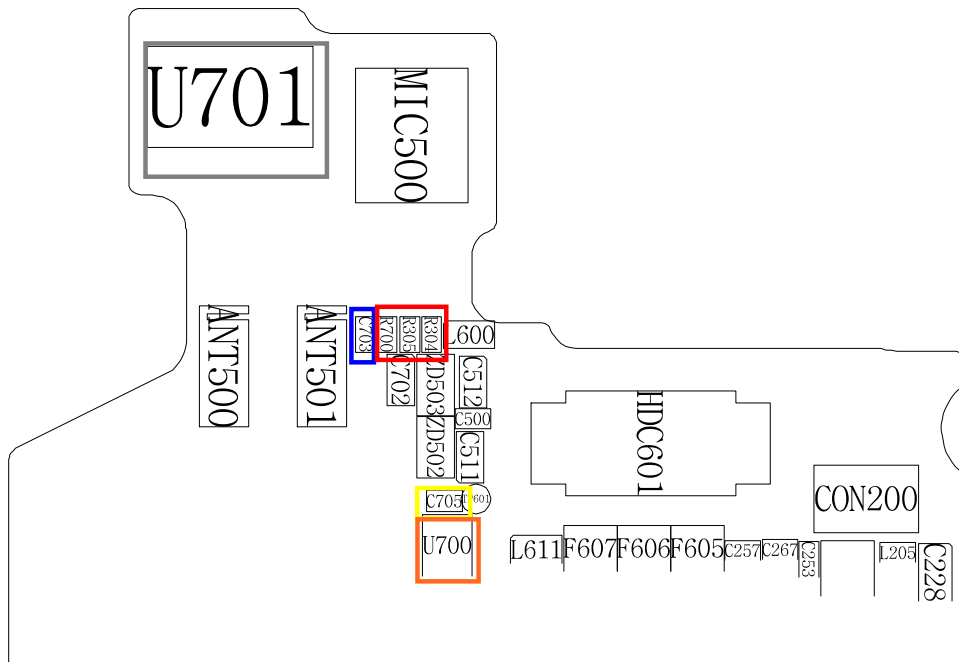


8-3-5. Charging Part

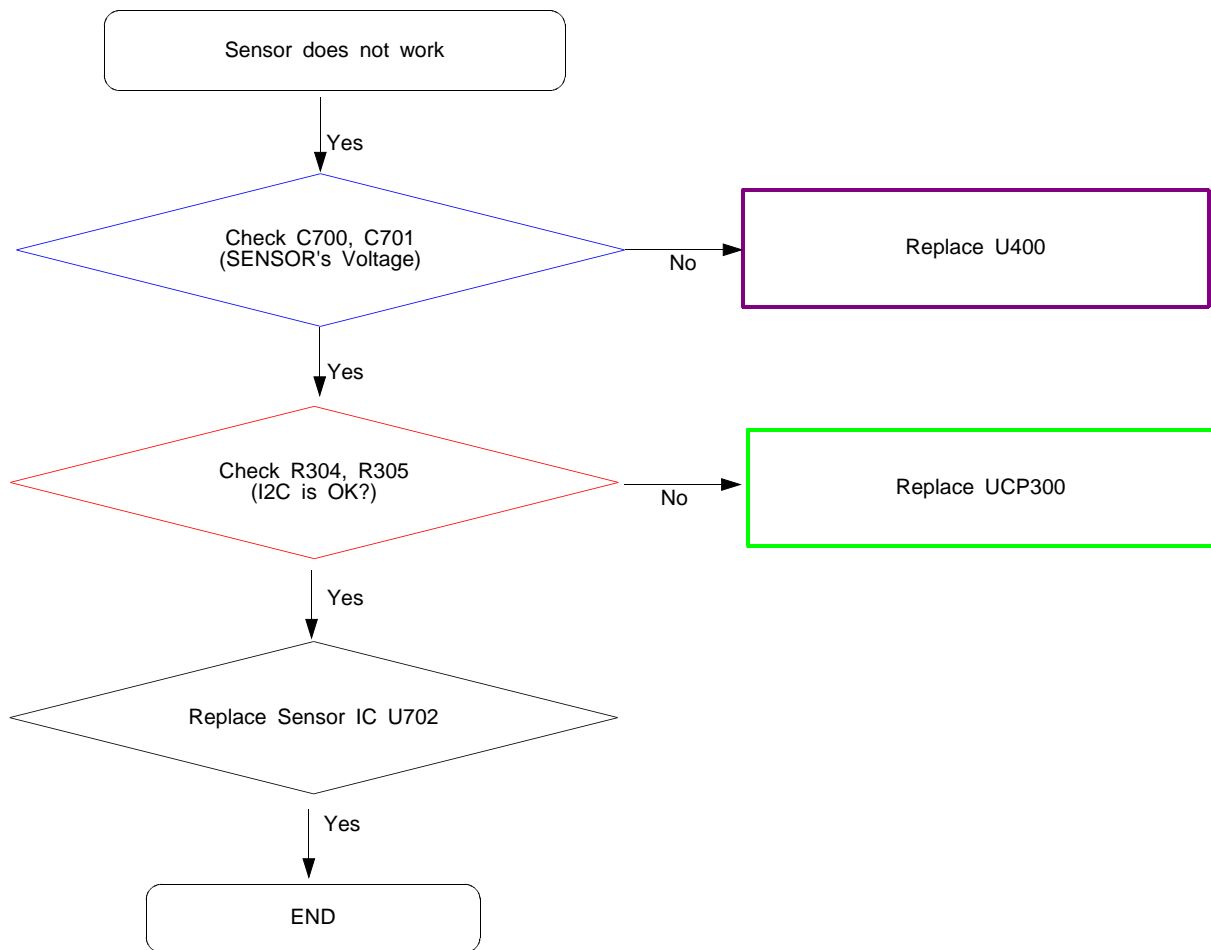


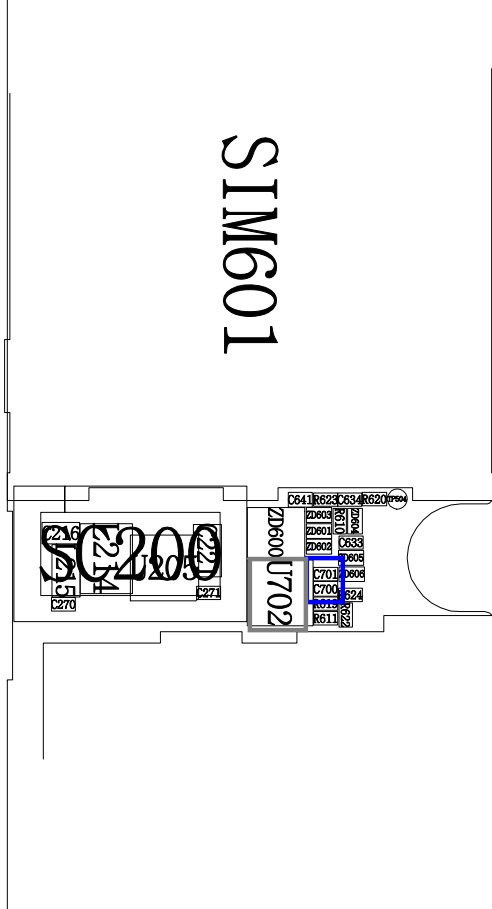
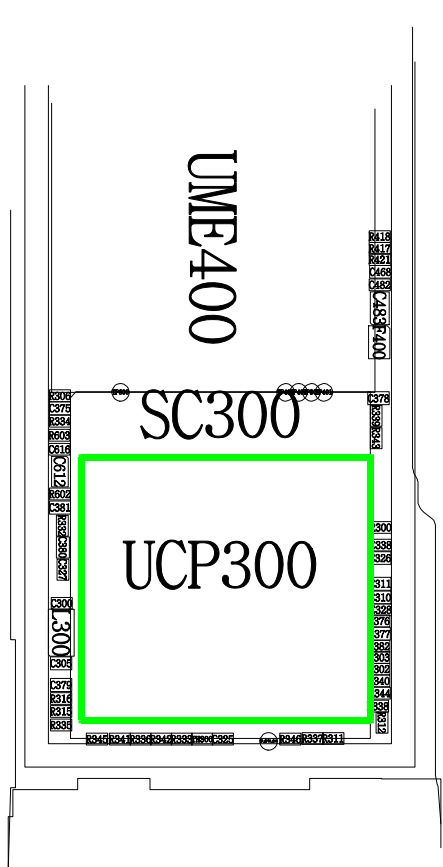
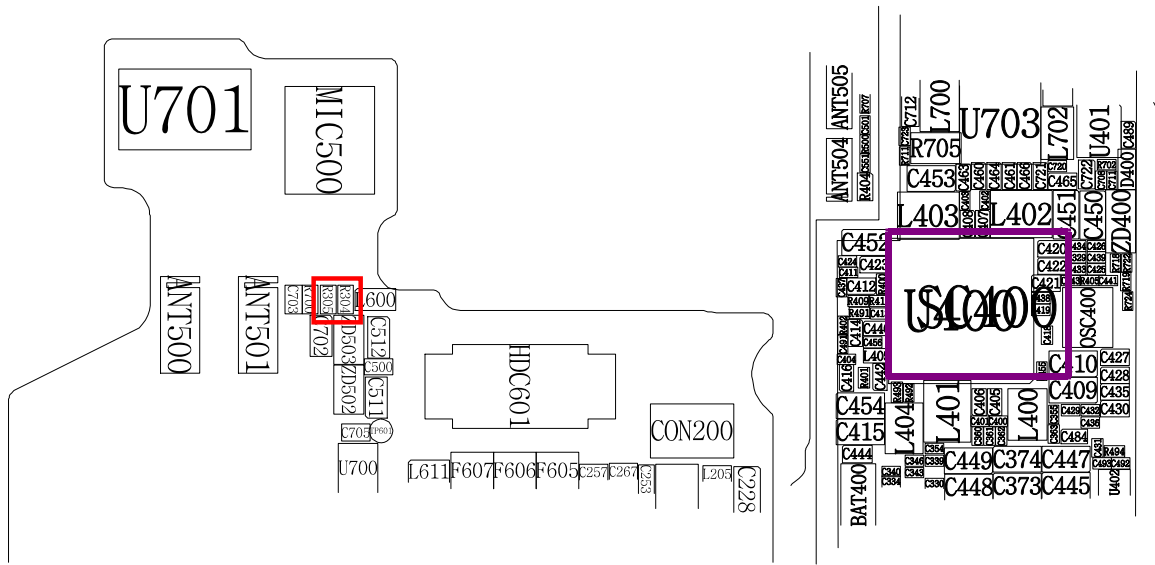
8-3-6. Proximity Sensor



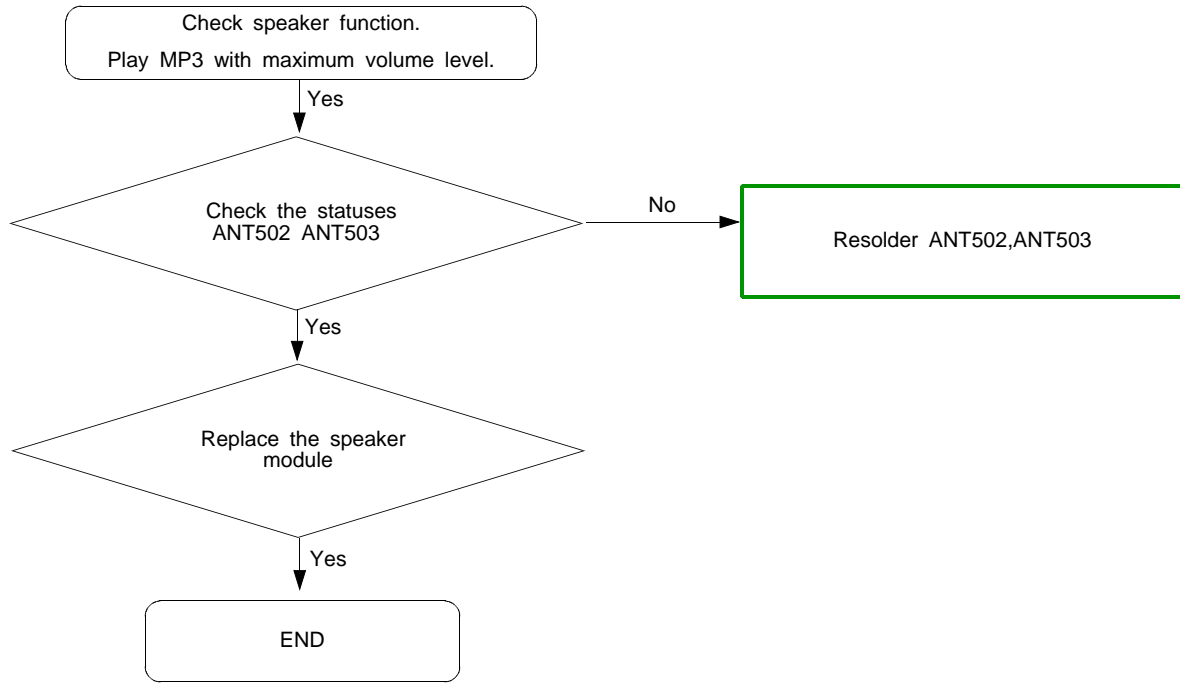


8-3-7. Accelerate Sensor

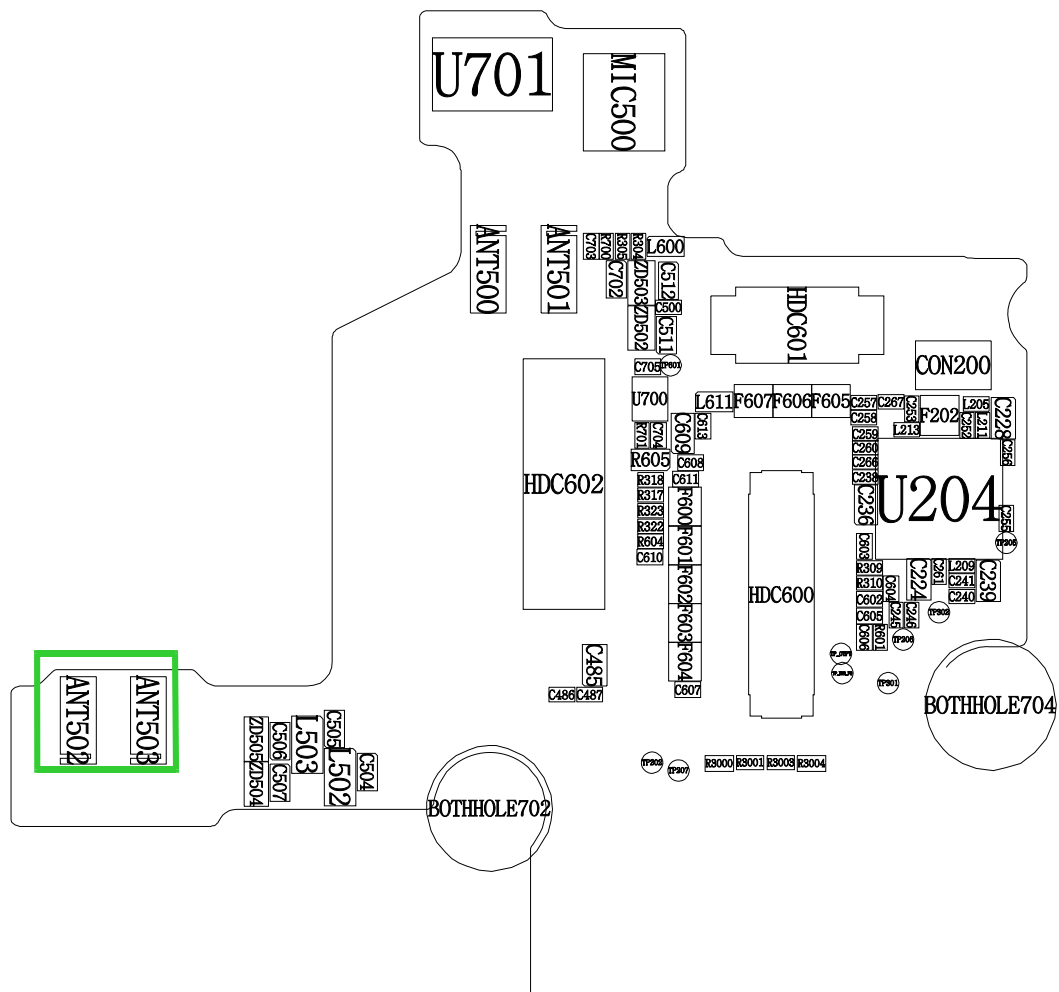
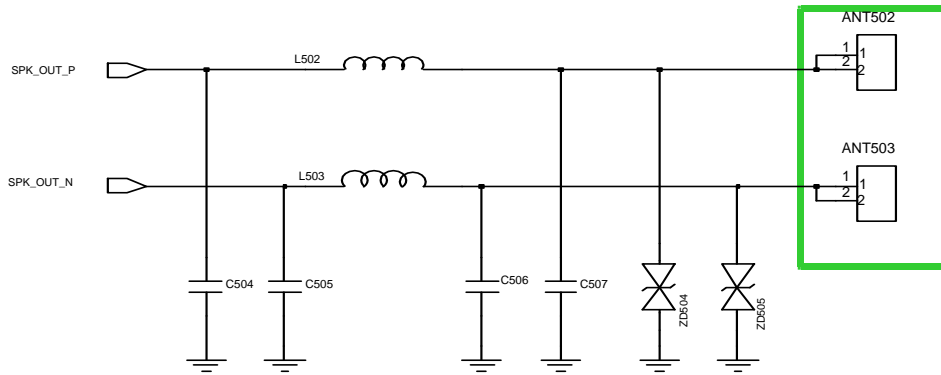




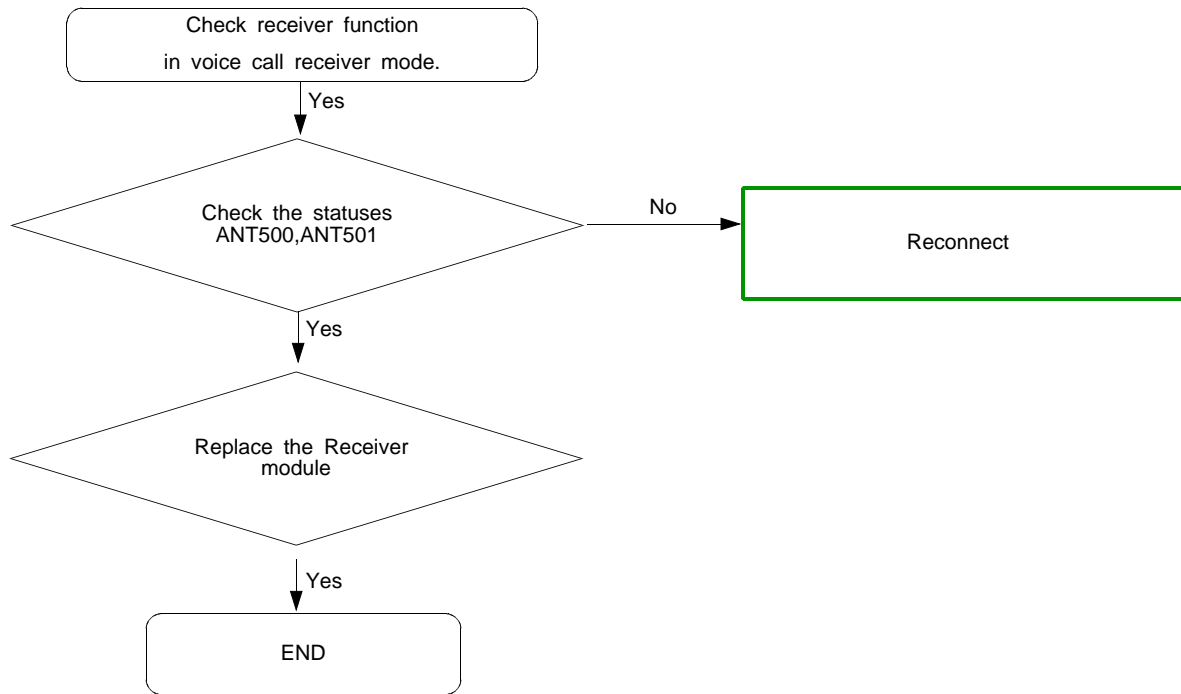
8-3-8. Speaker Part

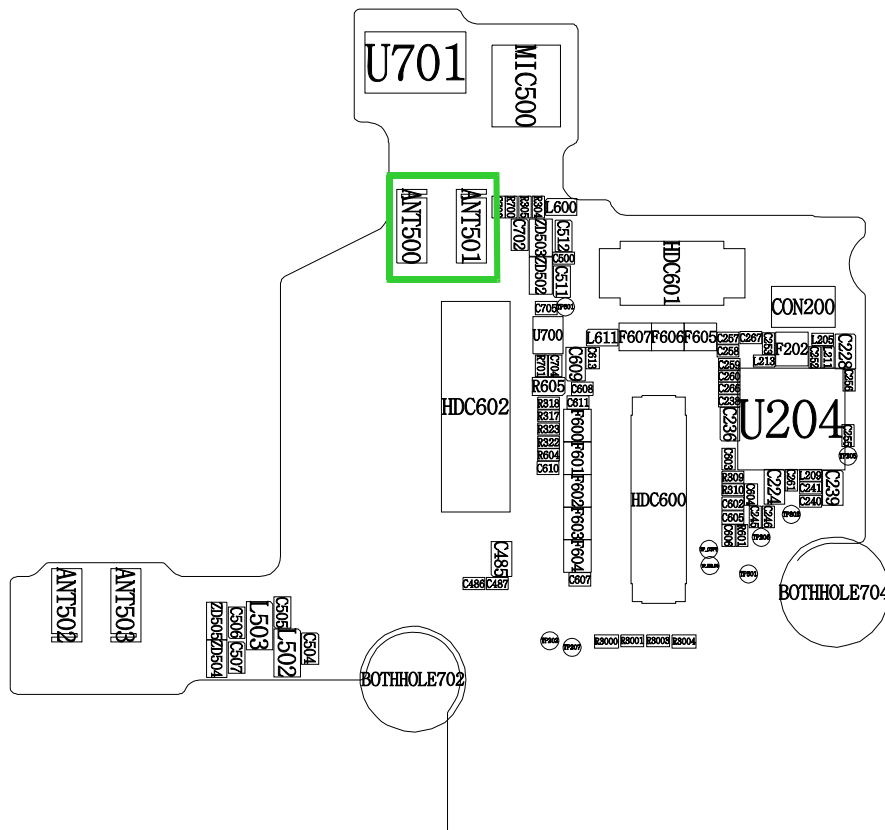
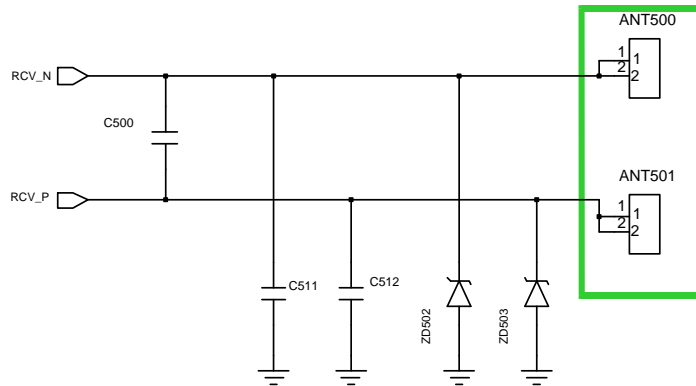


..

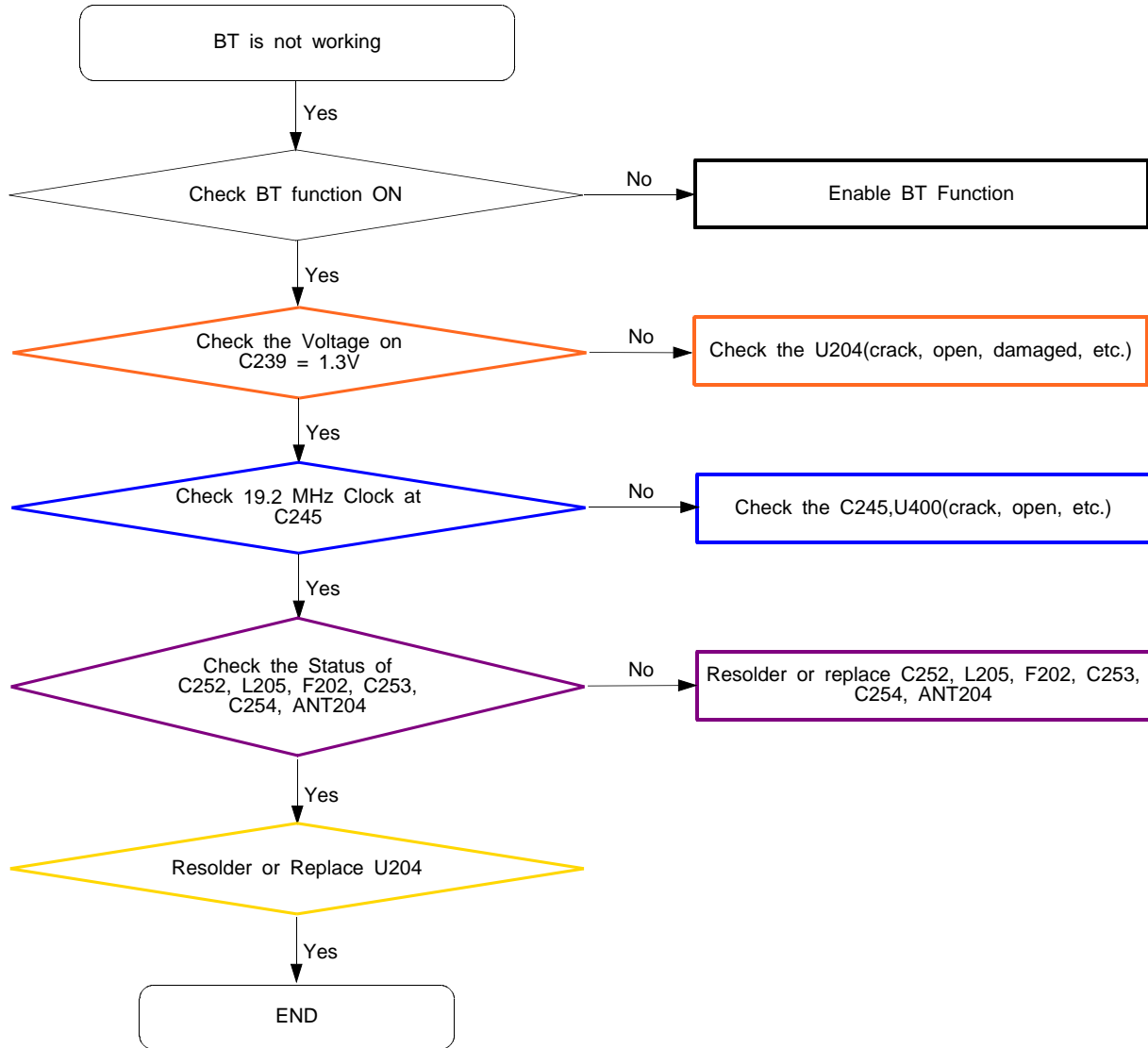


8-3-9. Receiver Part

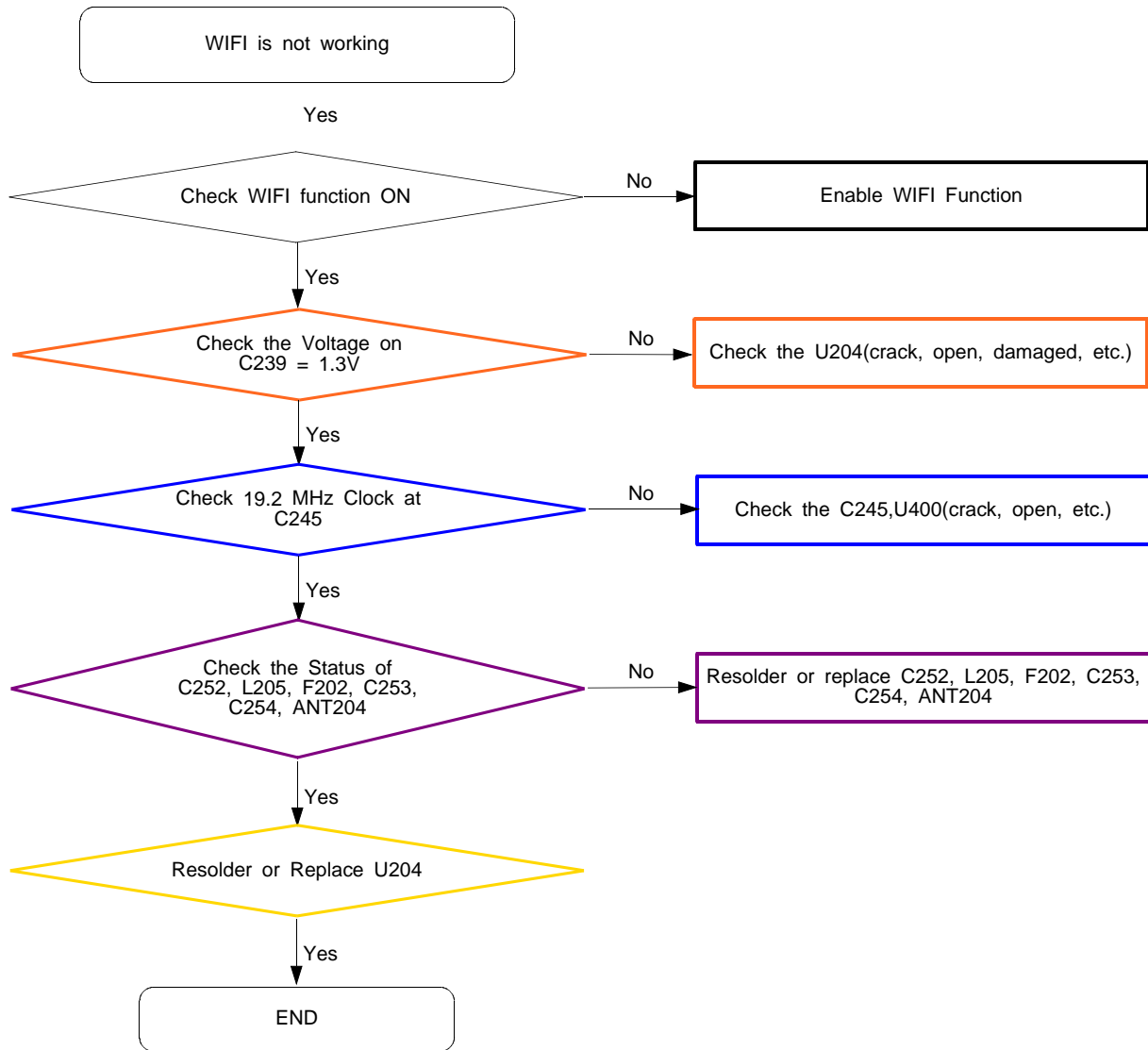


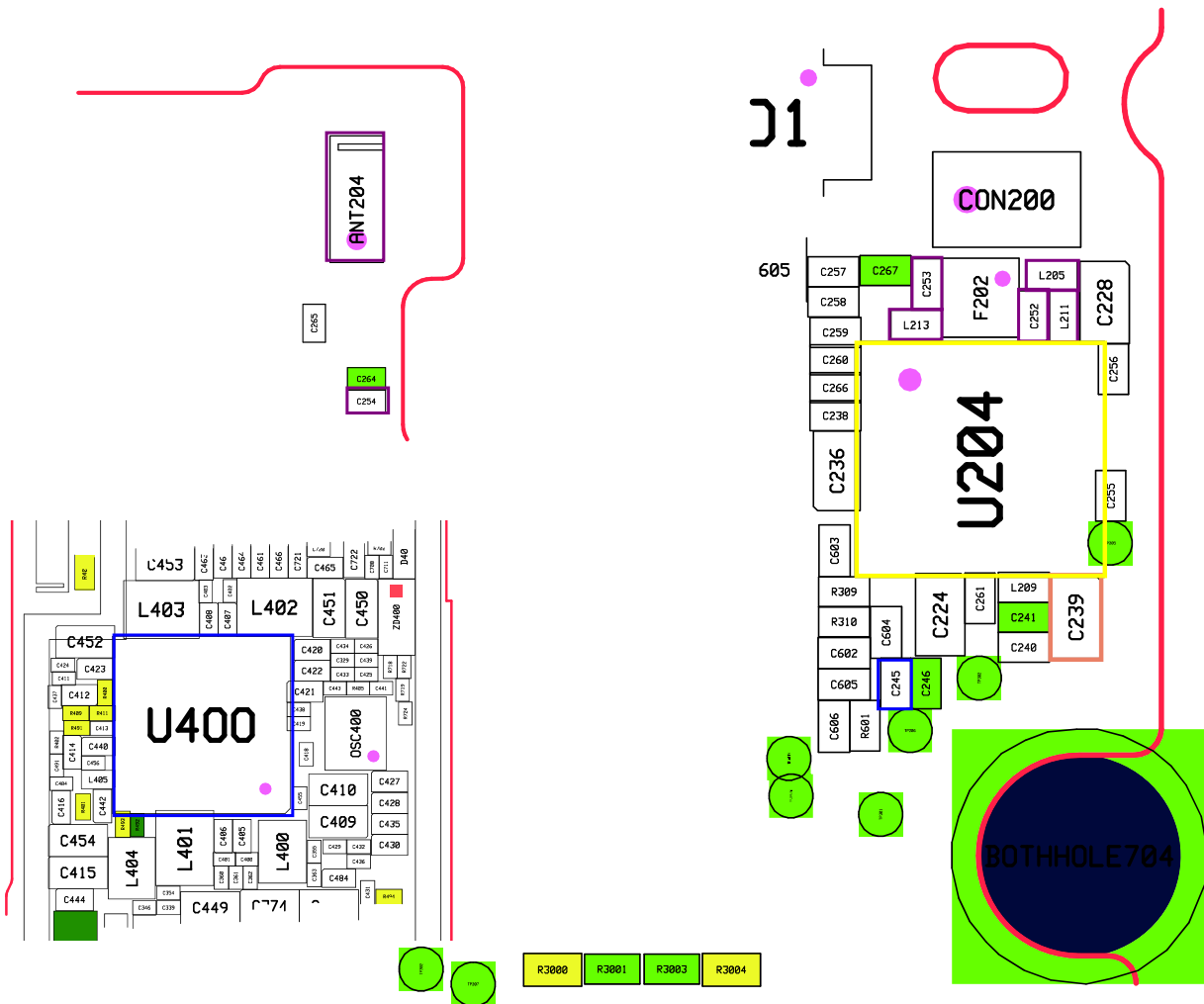
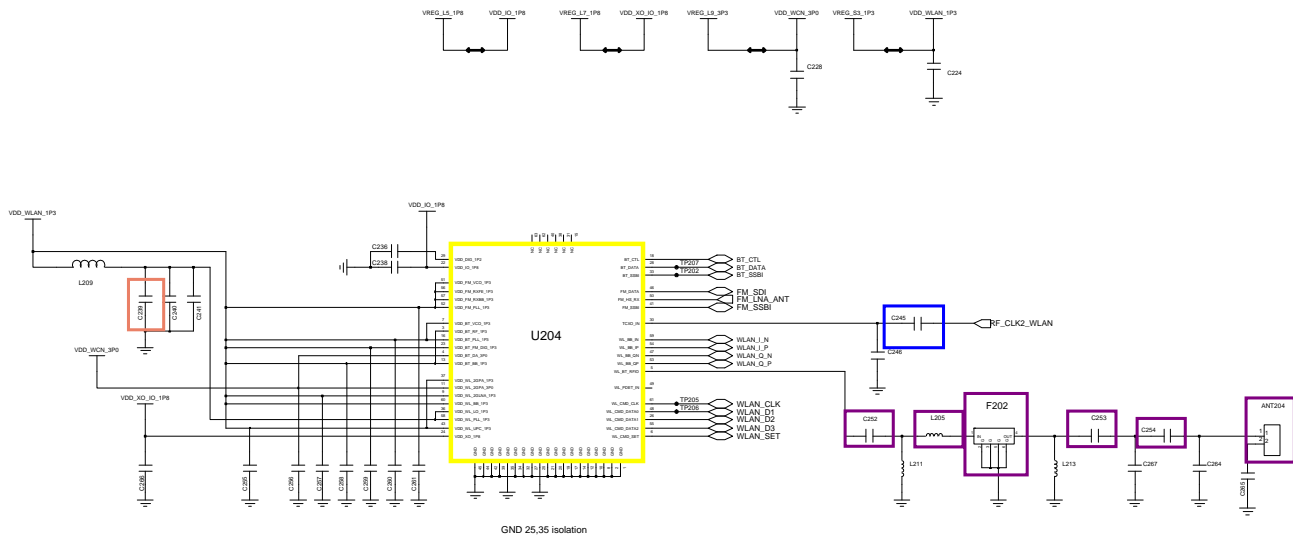


8-3-10. BT Part

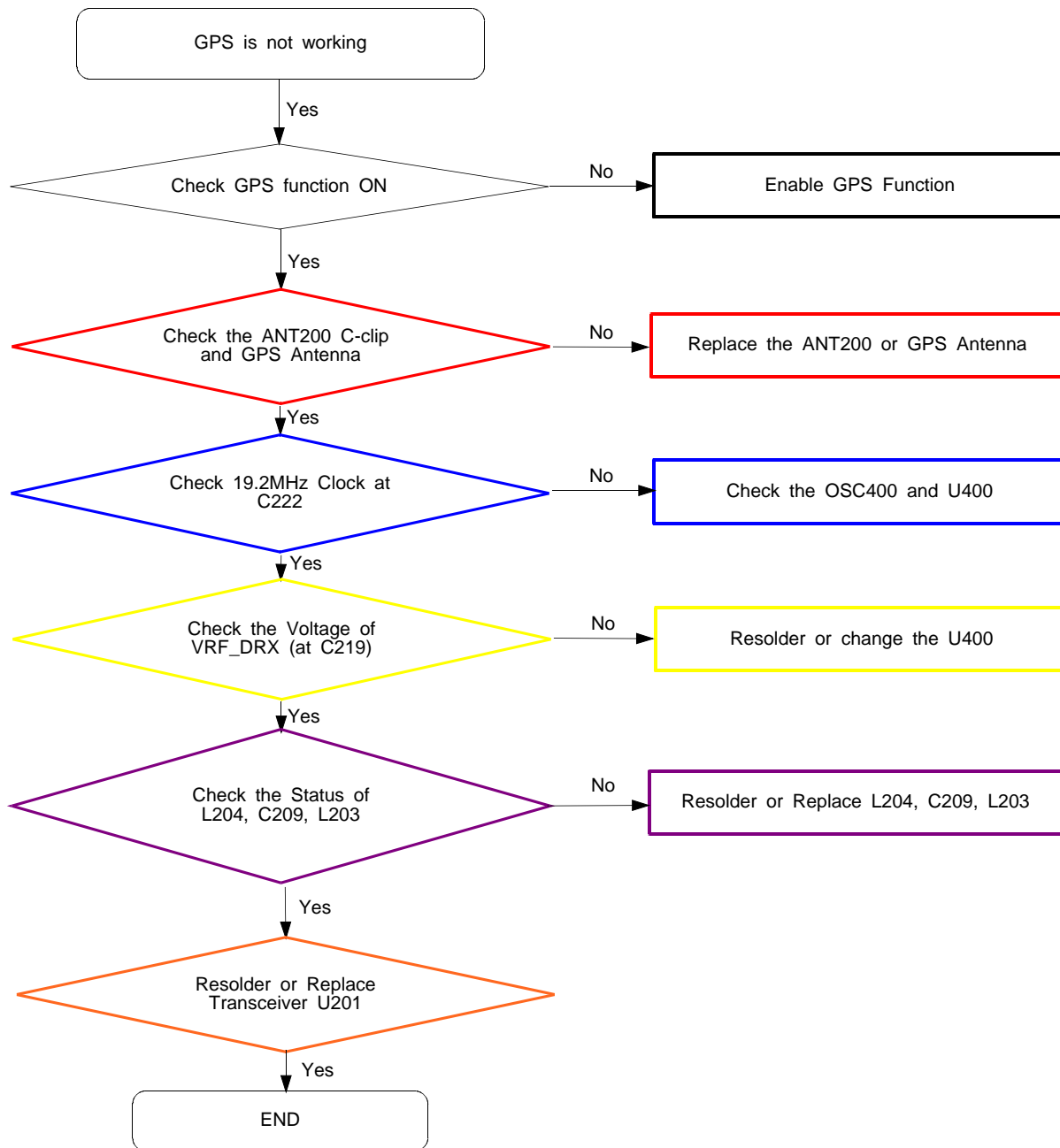


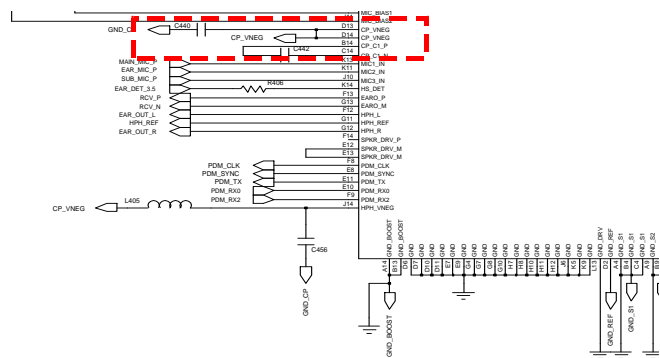
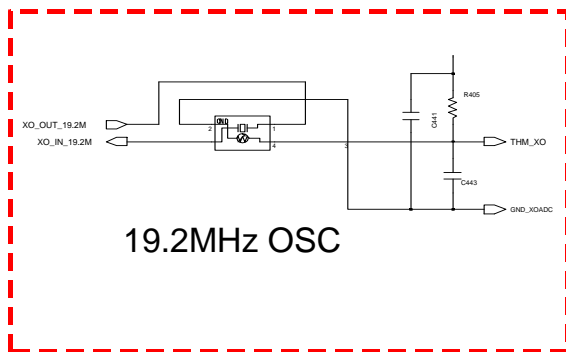
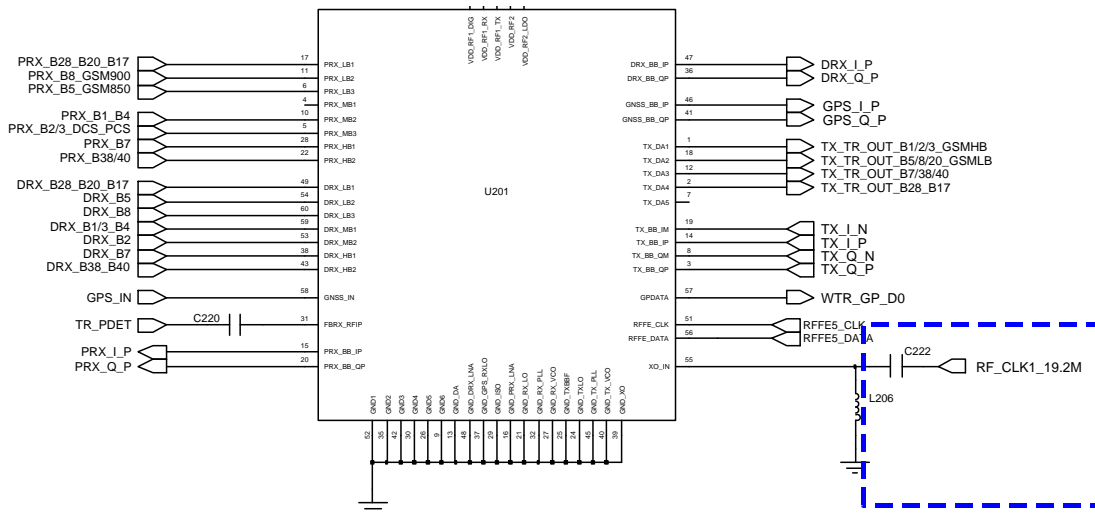
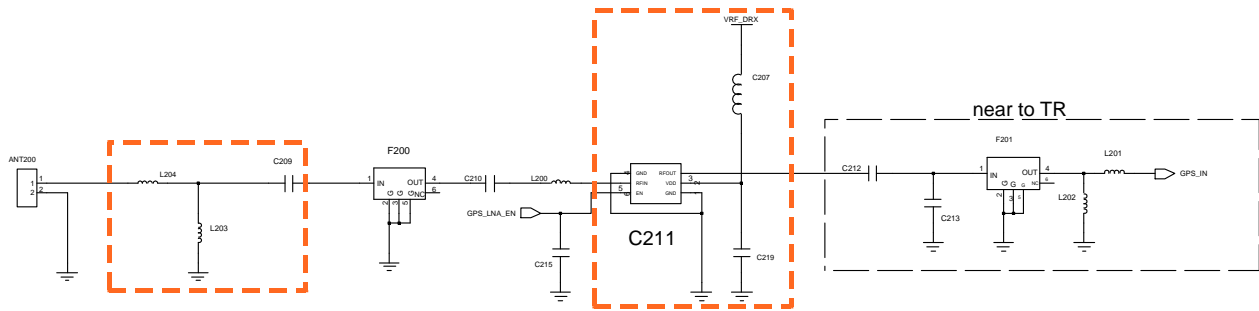
8-3-11. WIFI Part



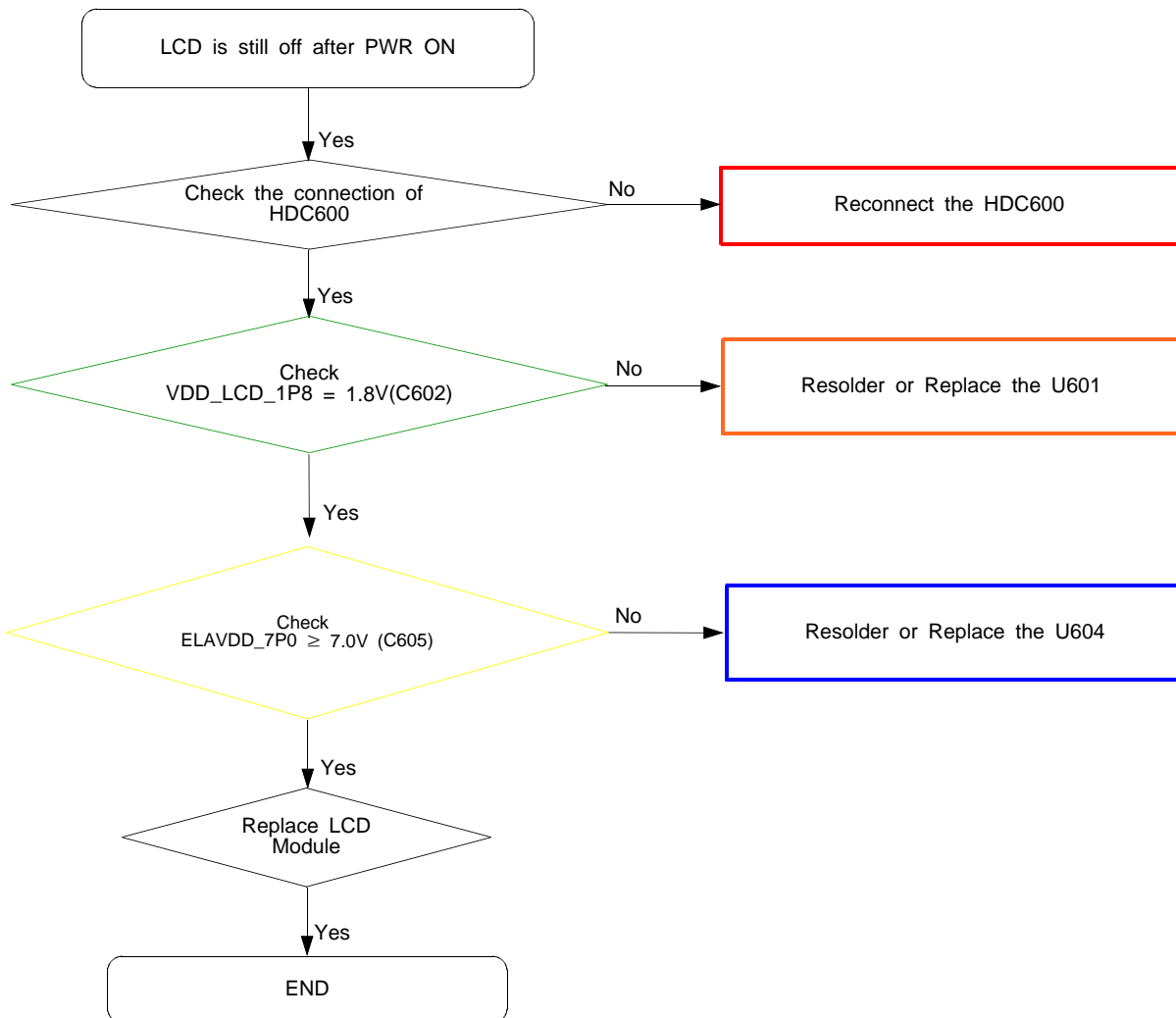


8-3-12. GPS Part

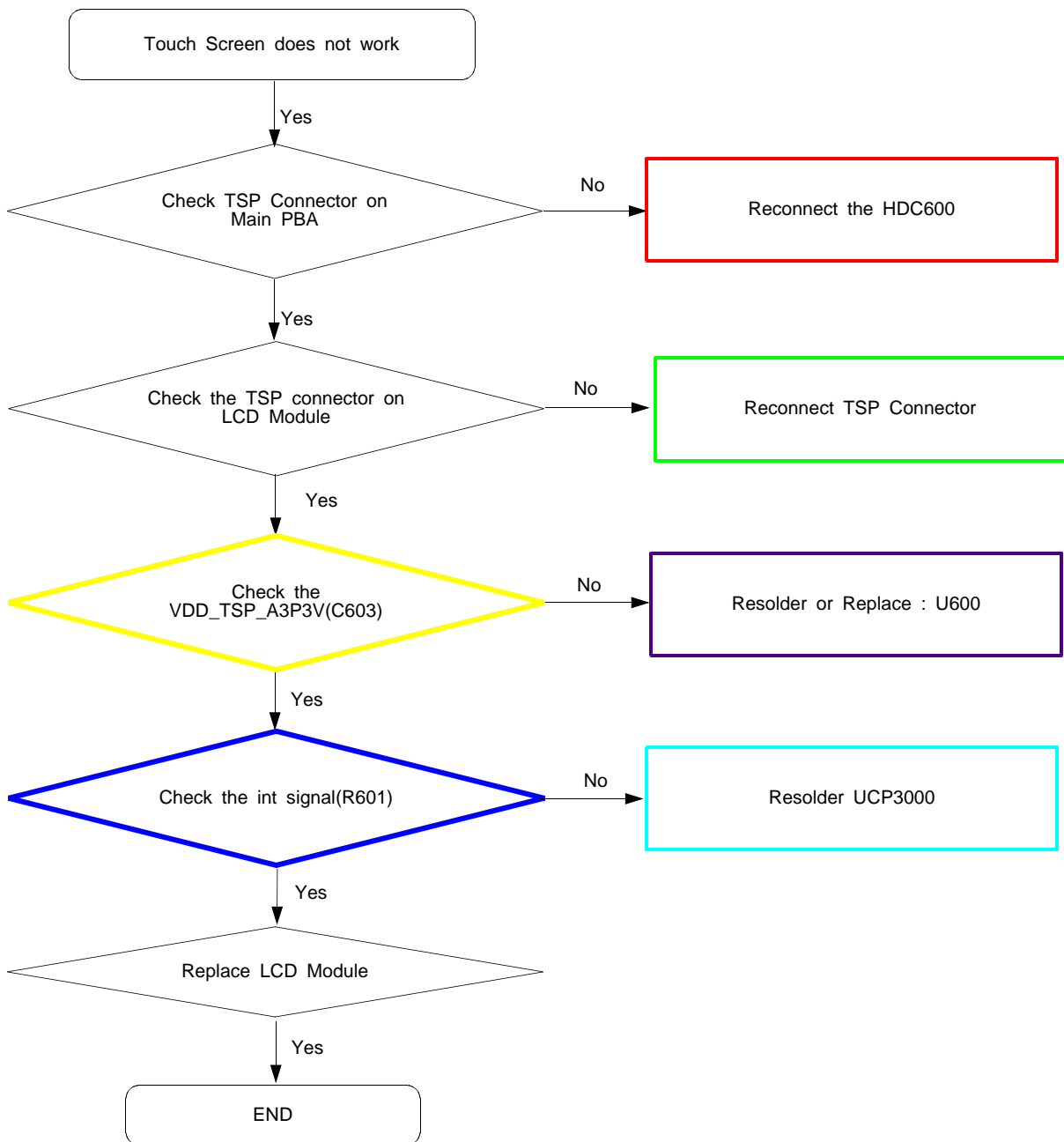


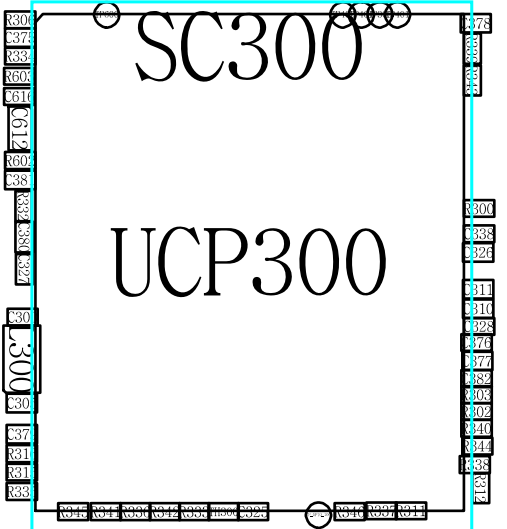
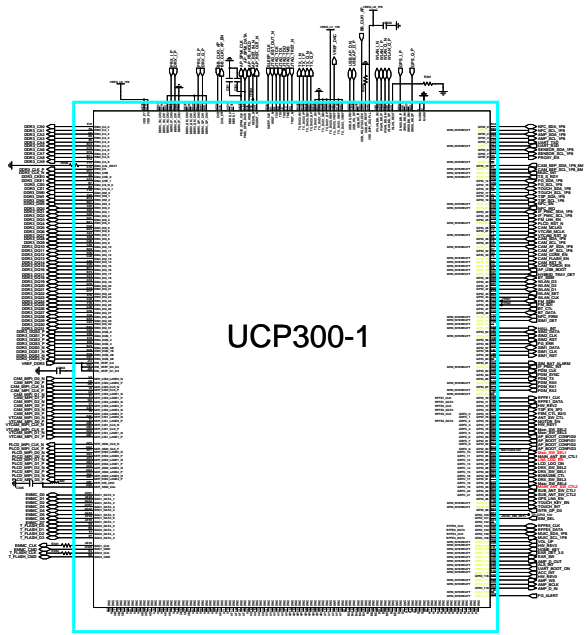
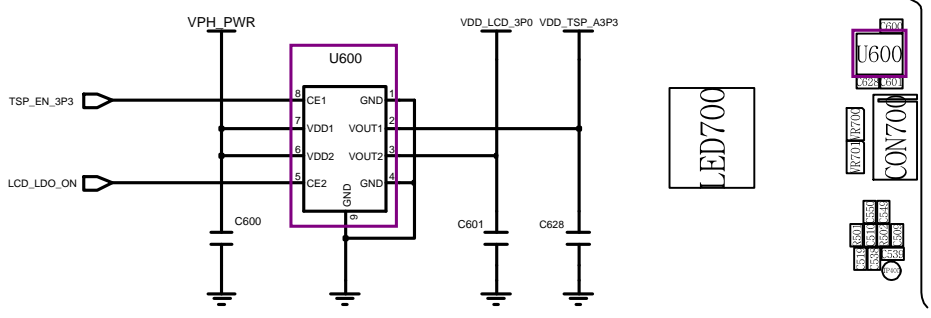
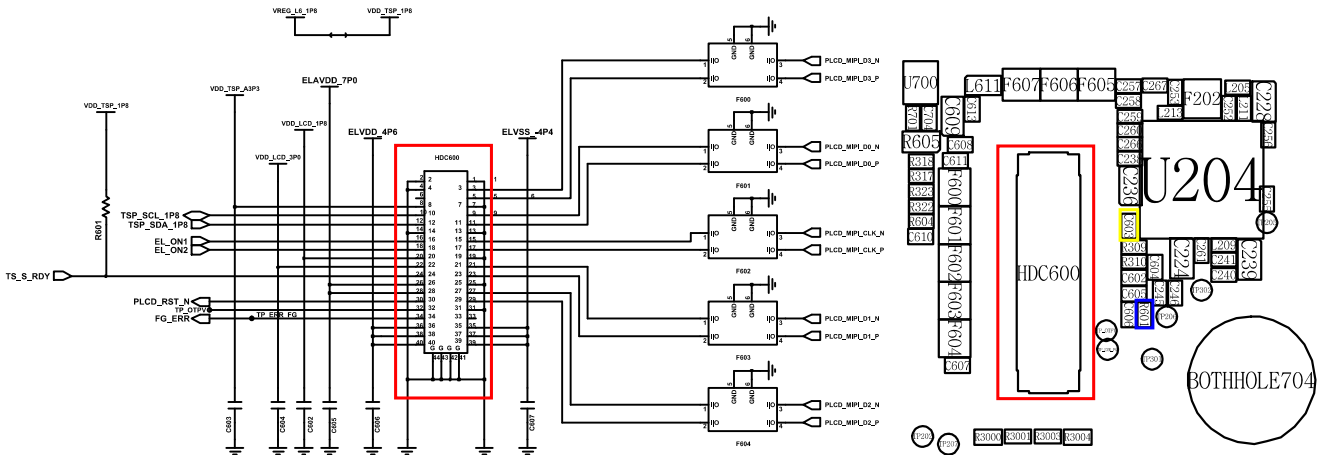


8-3-13. LCD

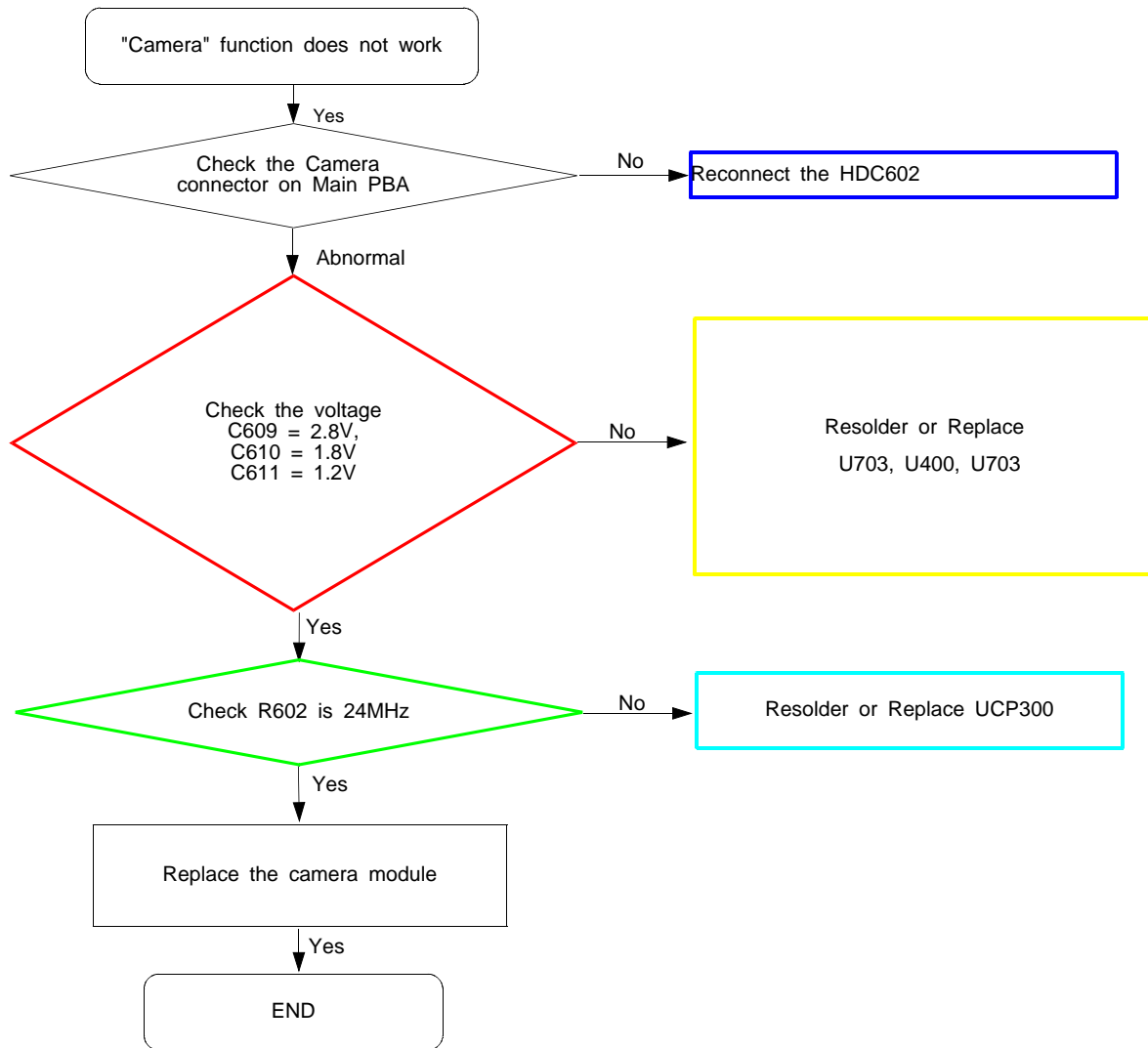


8-3-14. TSP

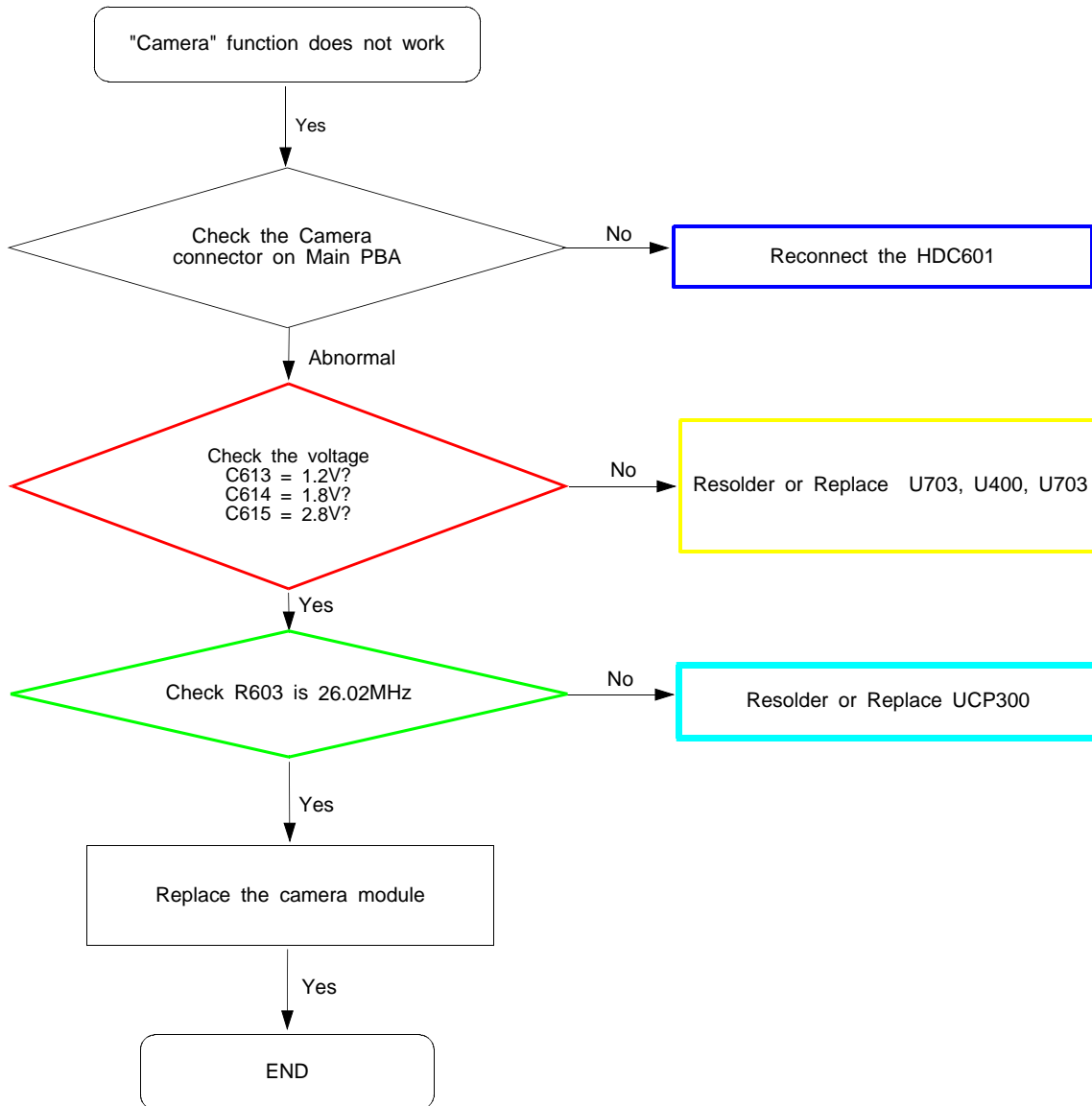


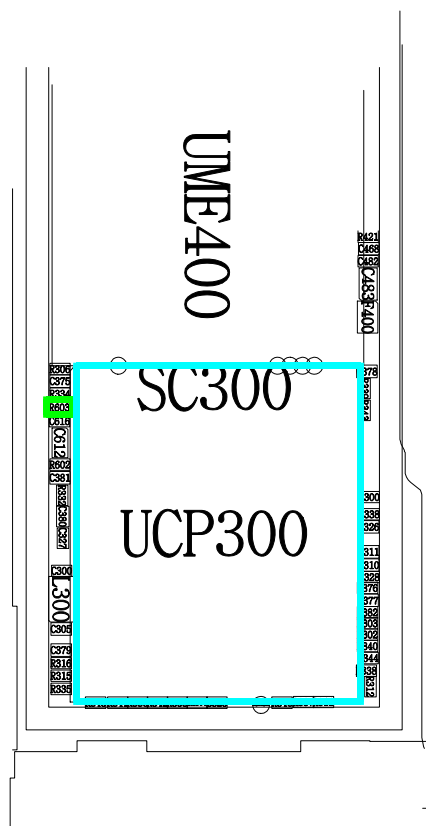


8-3-15. 8M CAM

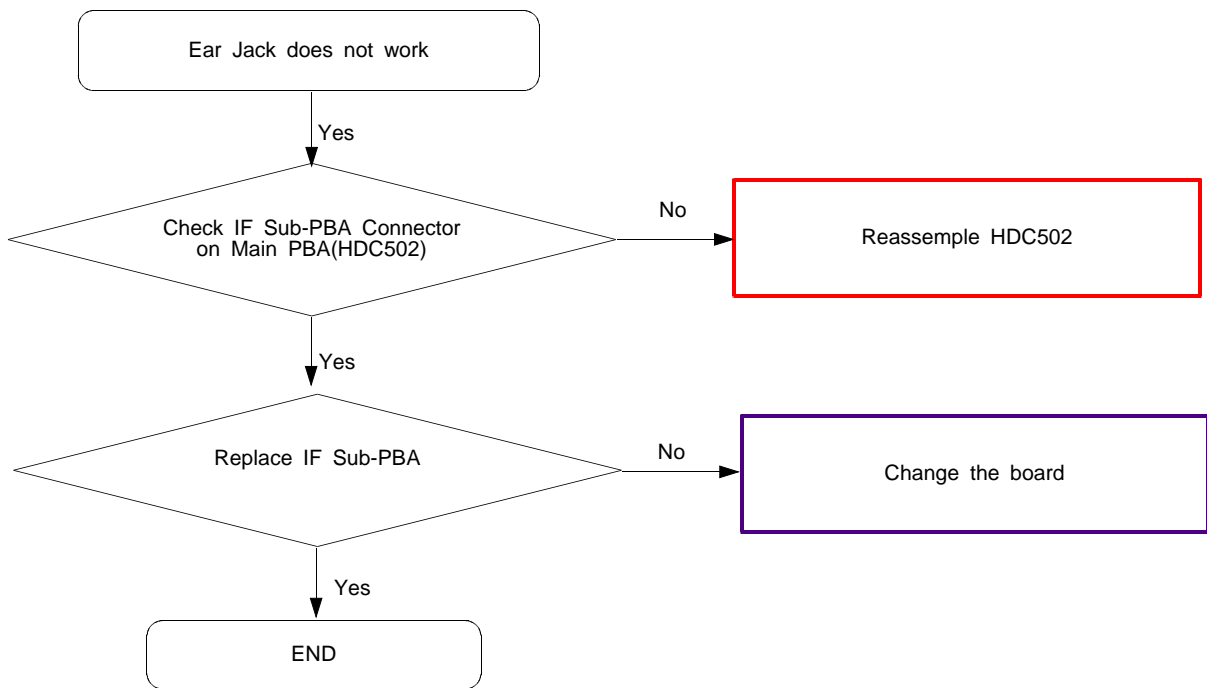


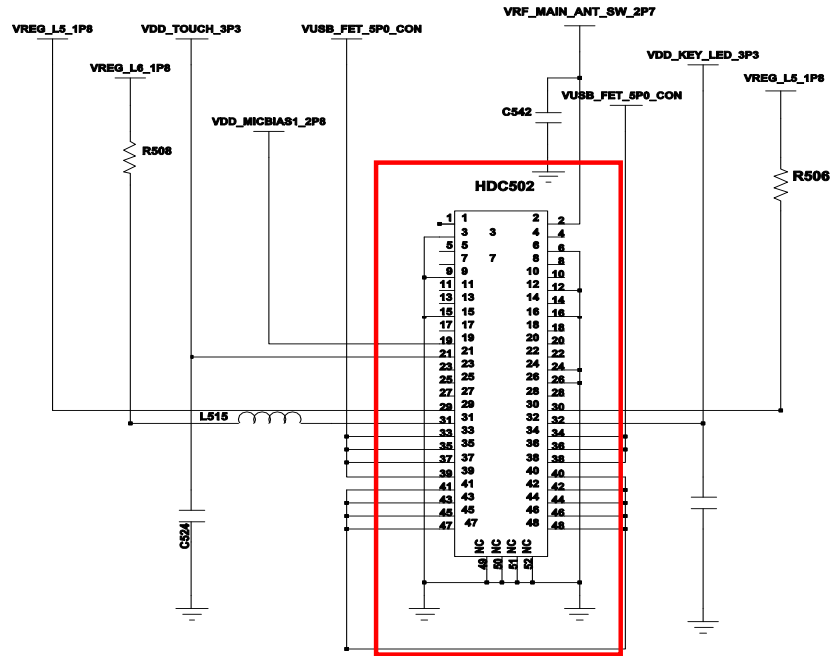
8-3-16. VT CAM



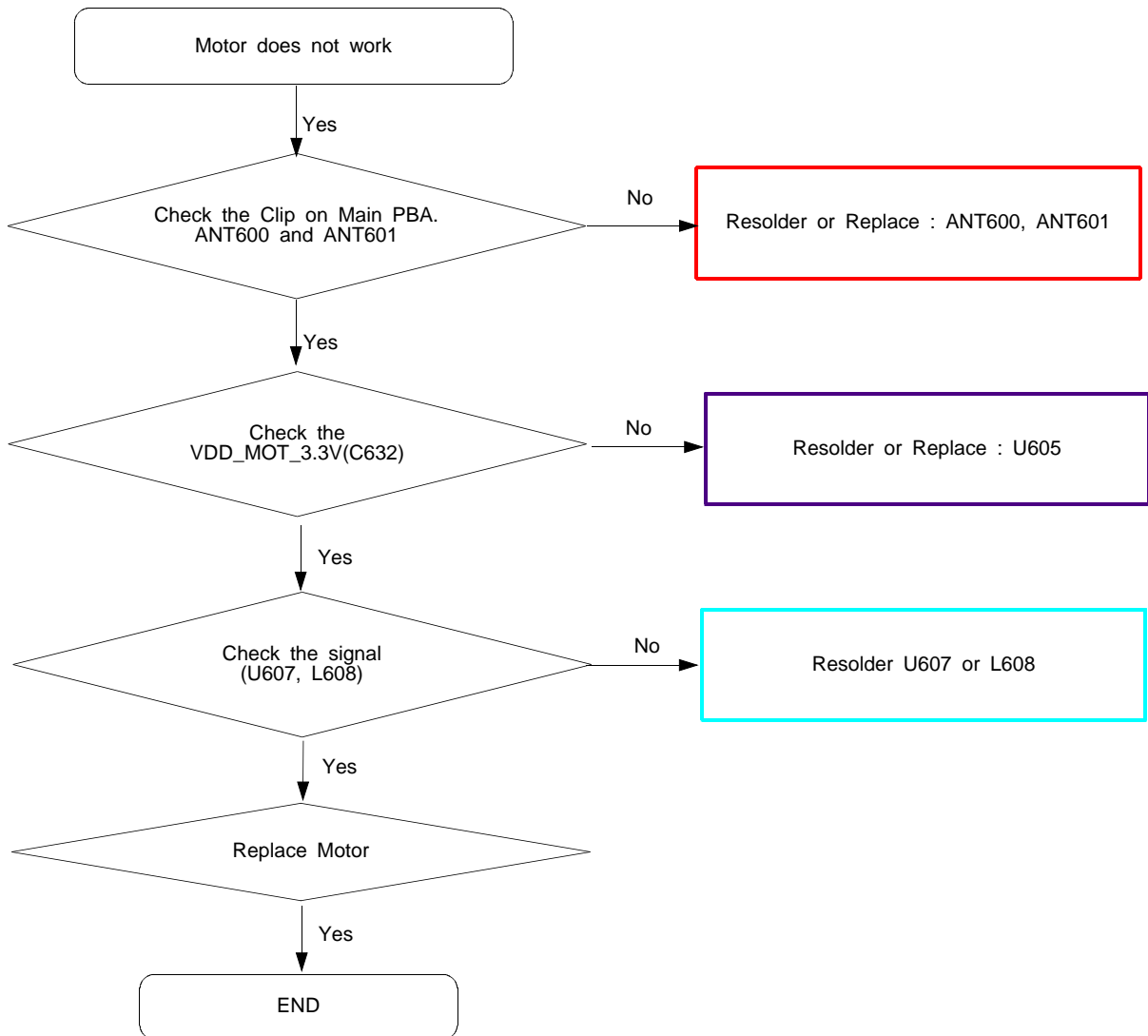


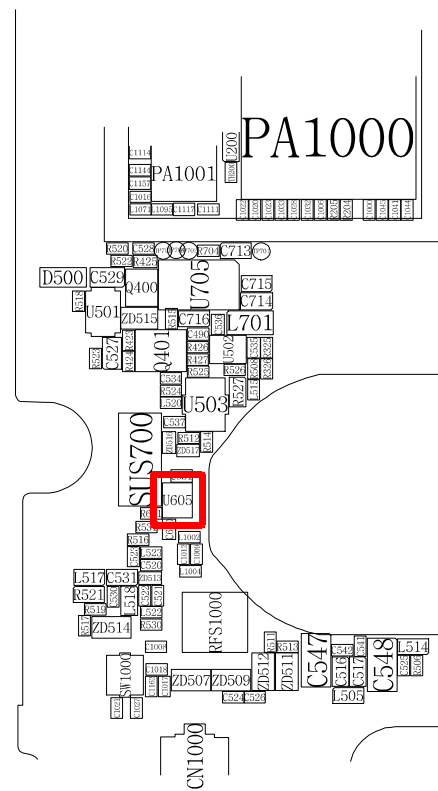
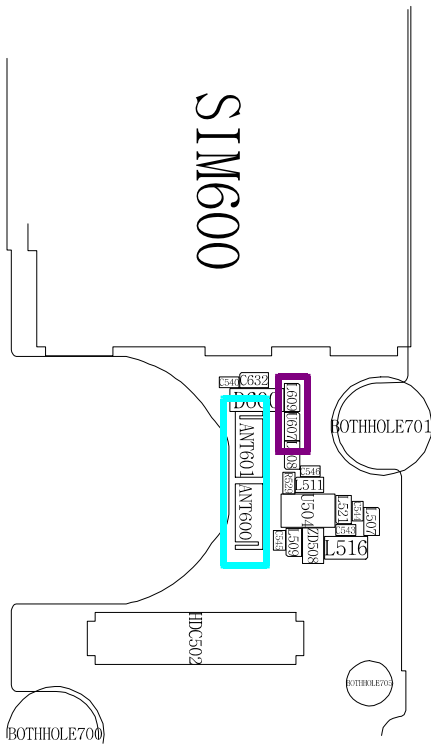
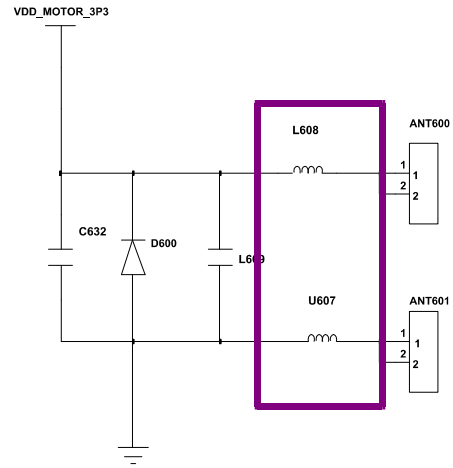
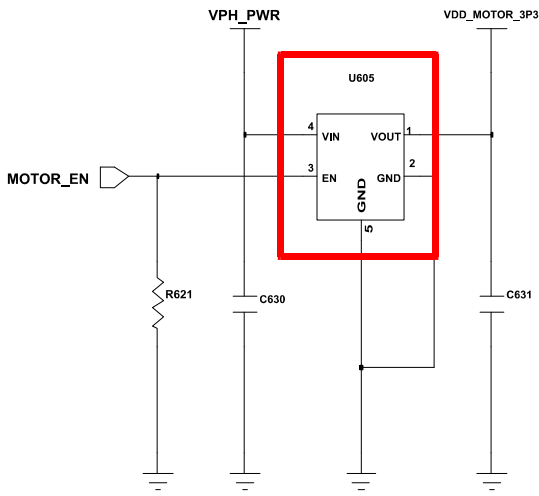
8-3-17. Ear Jack



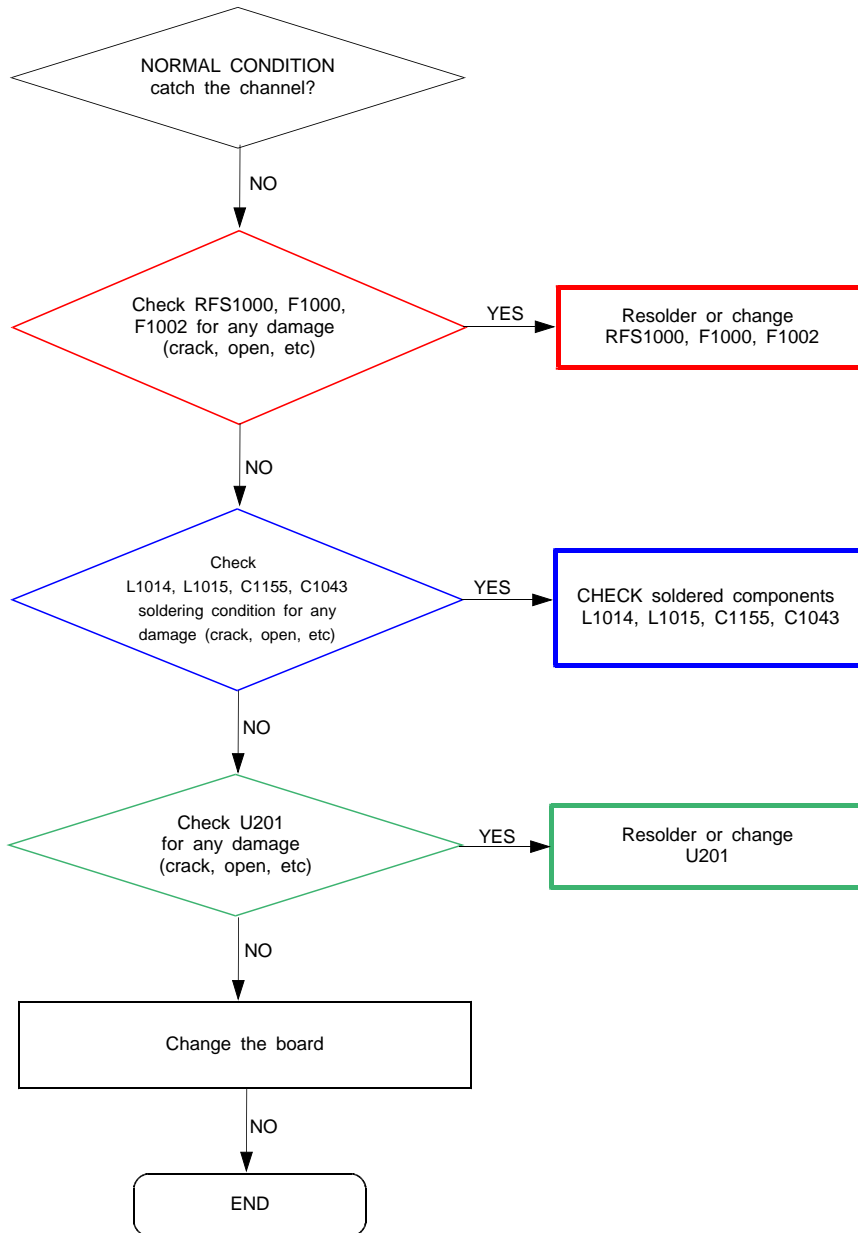


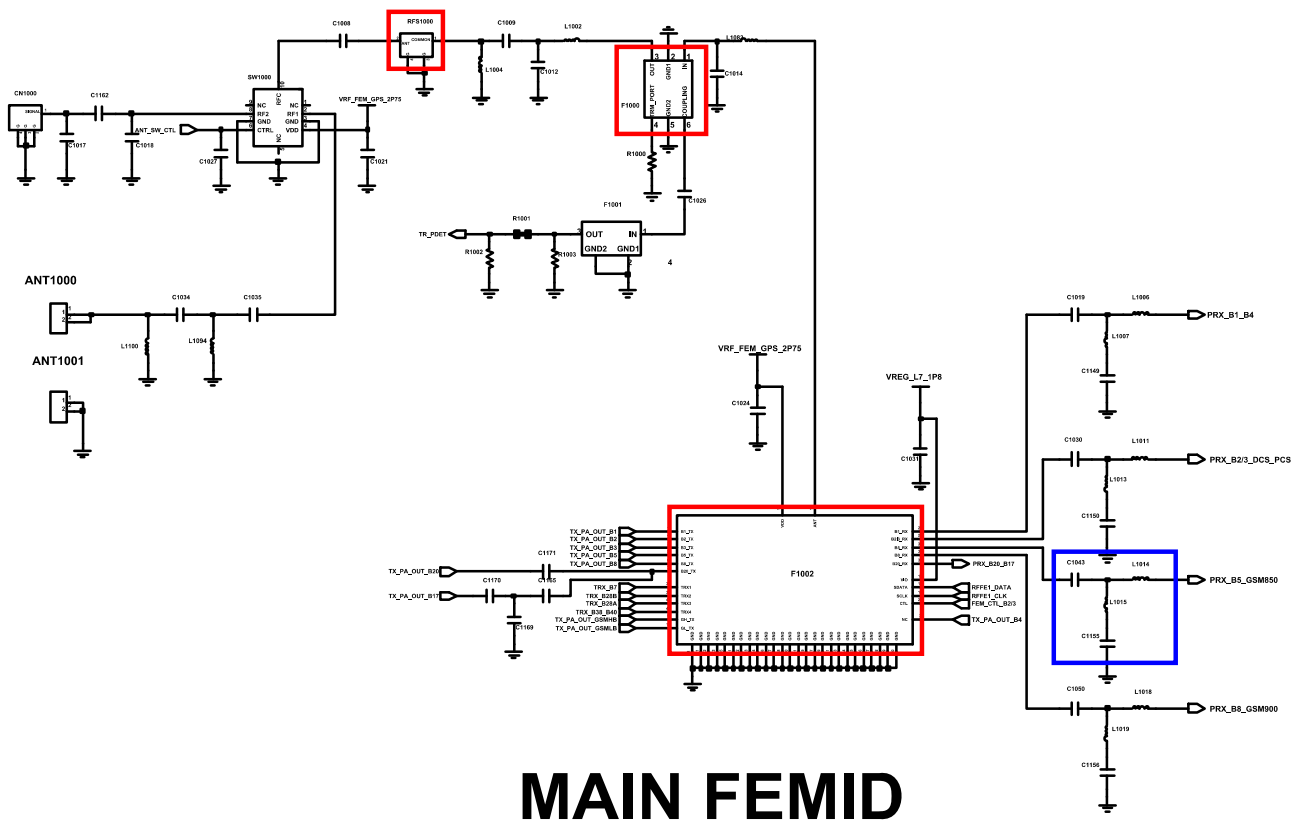
8-3-18. Motor



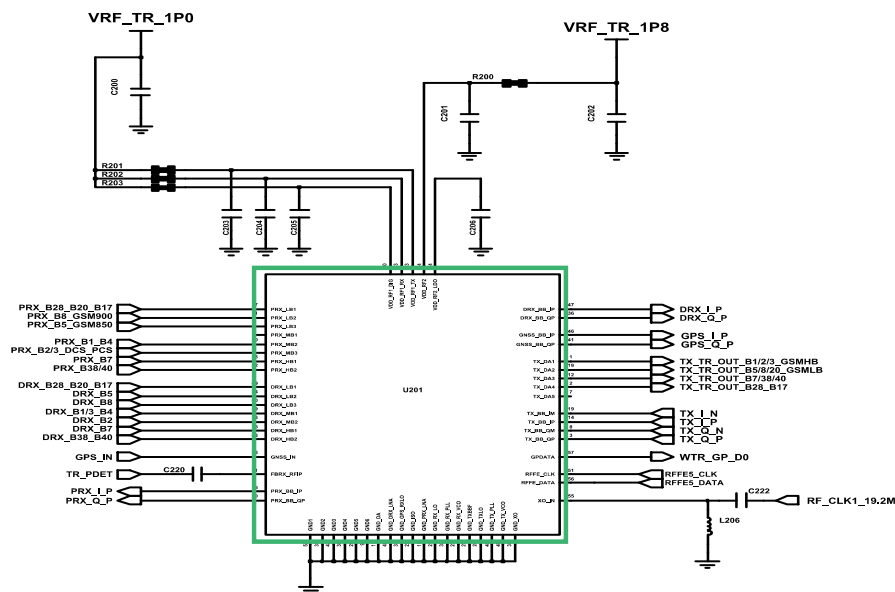


8-3-19. GSM850 / WCDMA B5 / GSM850 / WCDMA B5



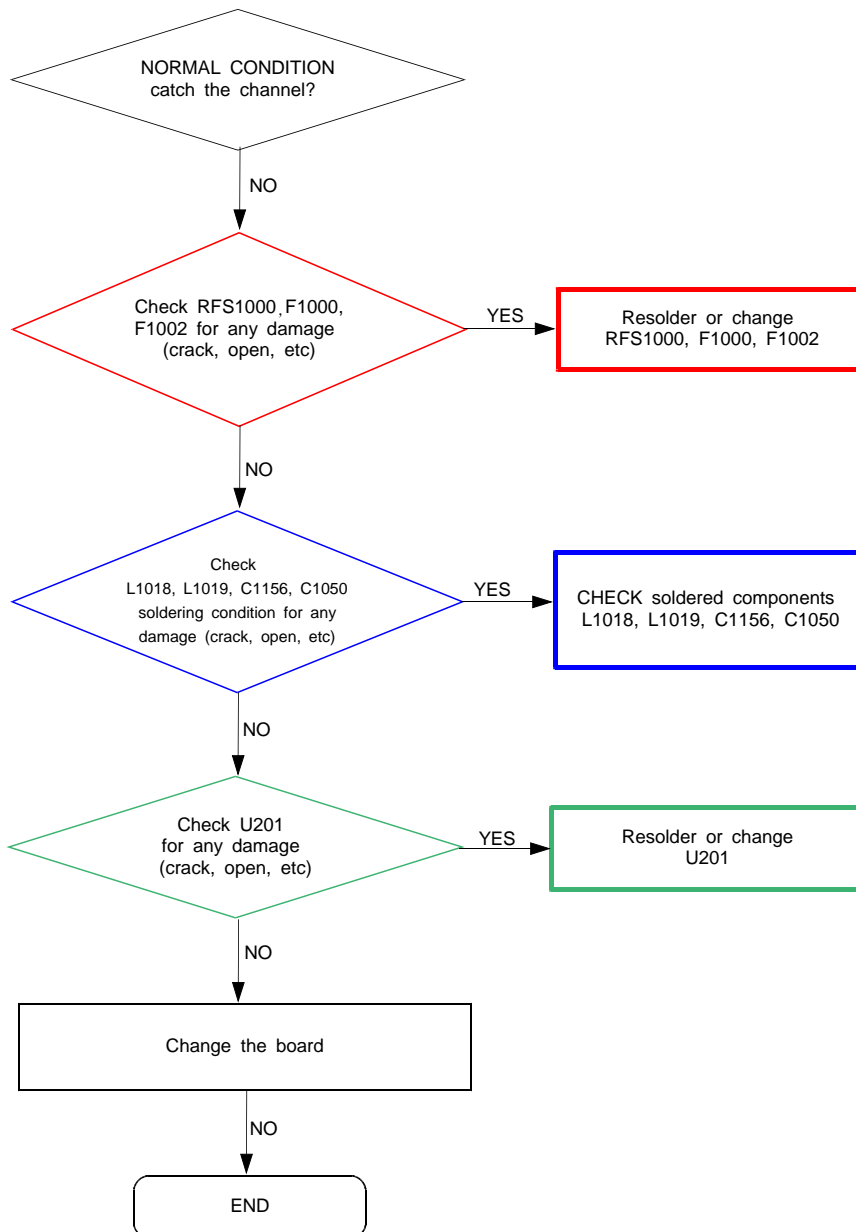


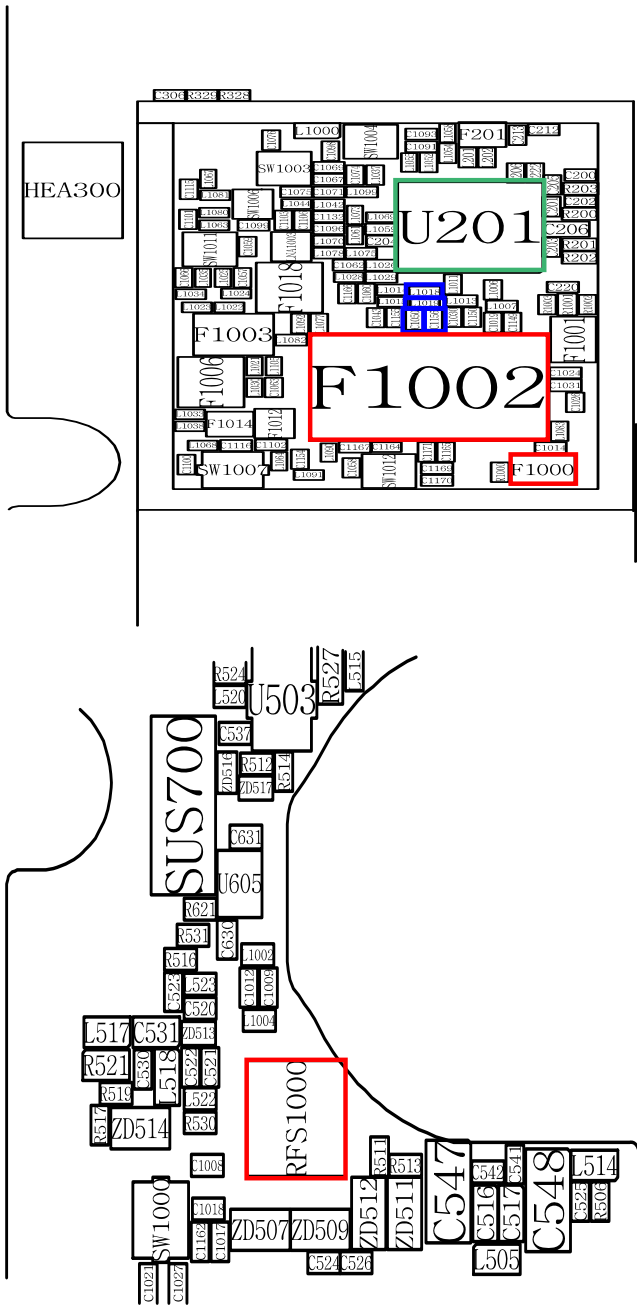
MAIN FEMID



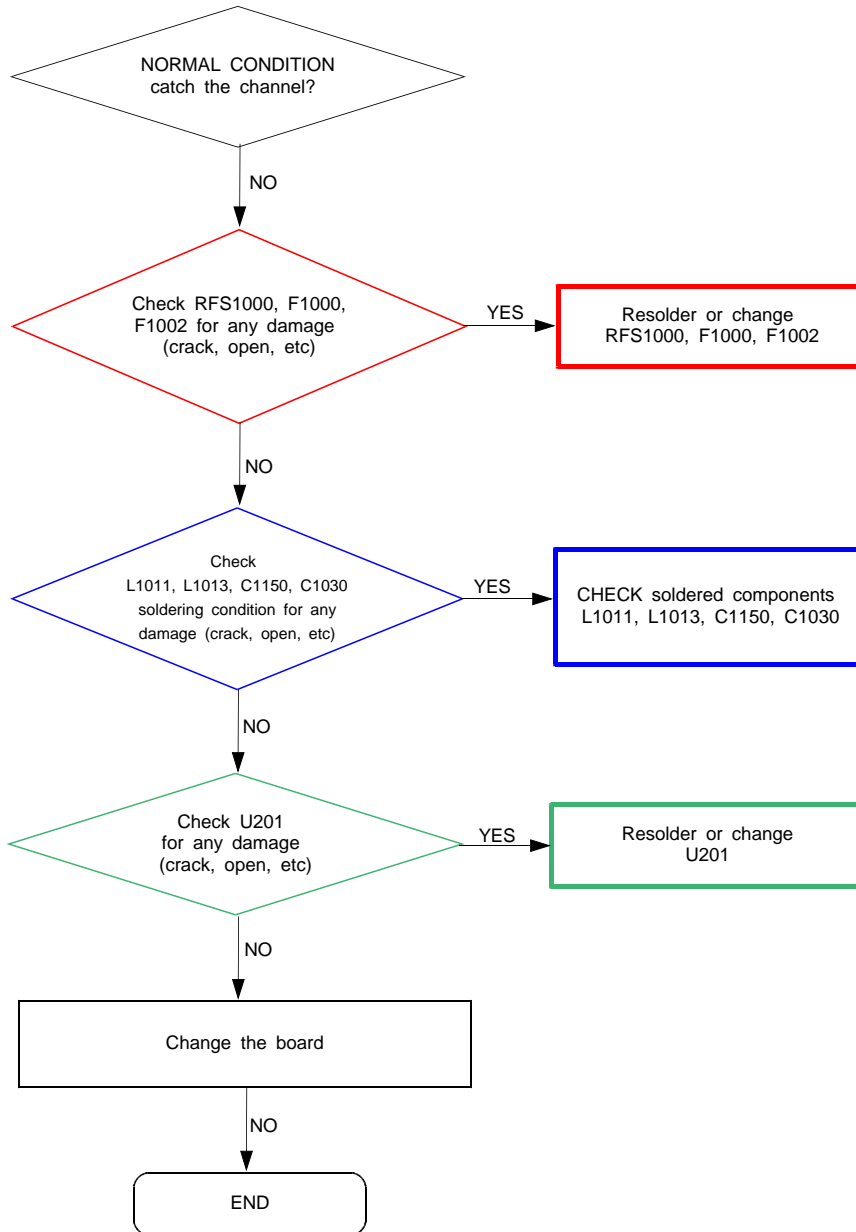
RF Transceiver

8-3-20. GSM900 / WCDMA B8

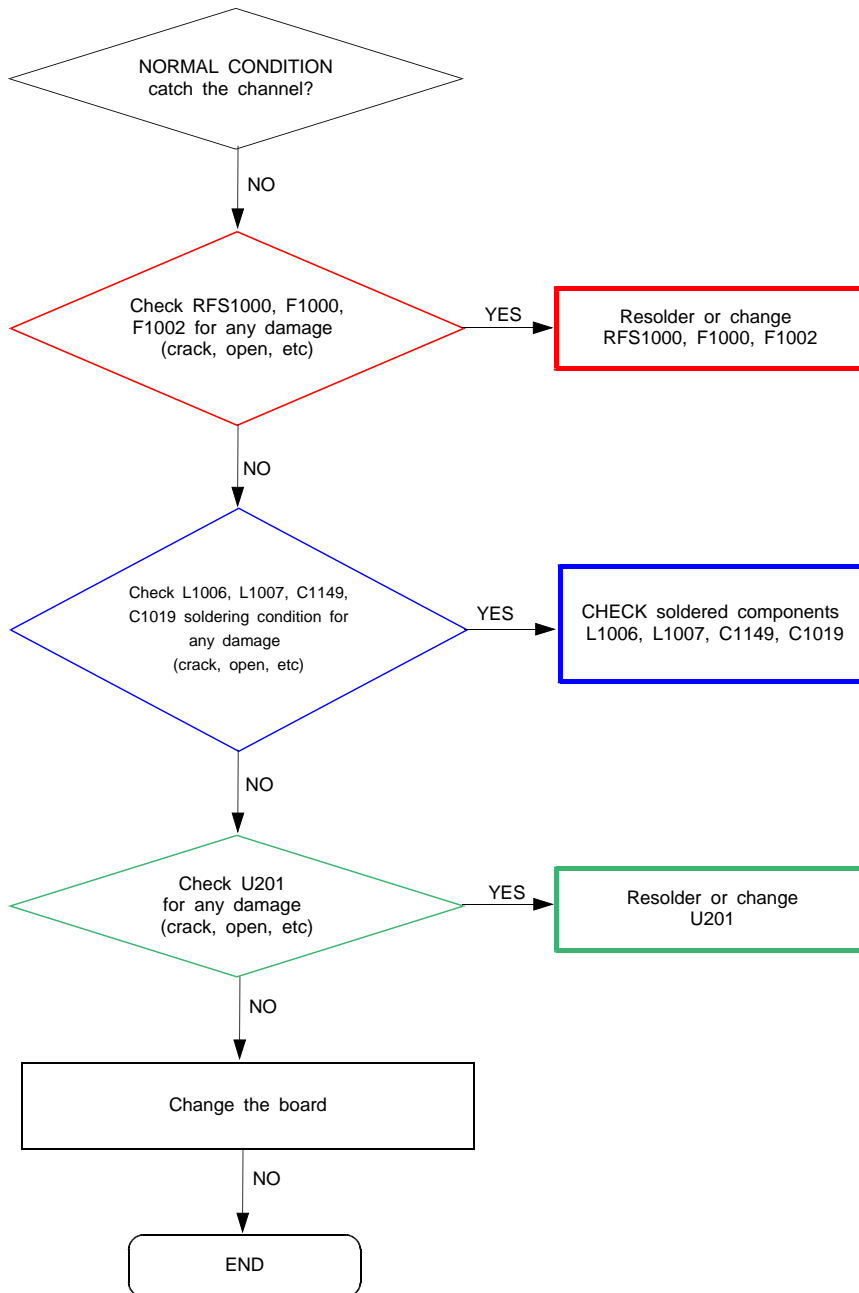


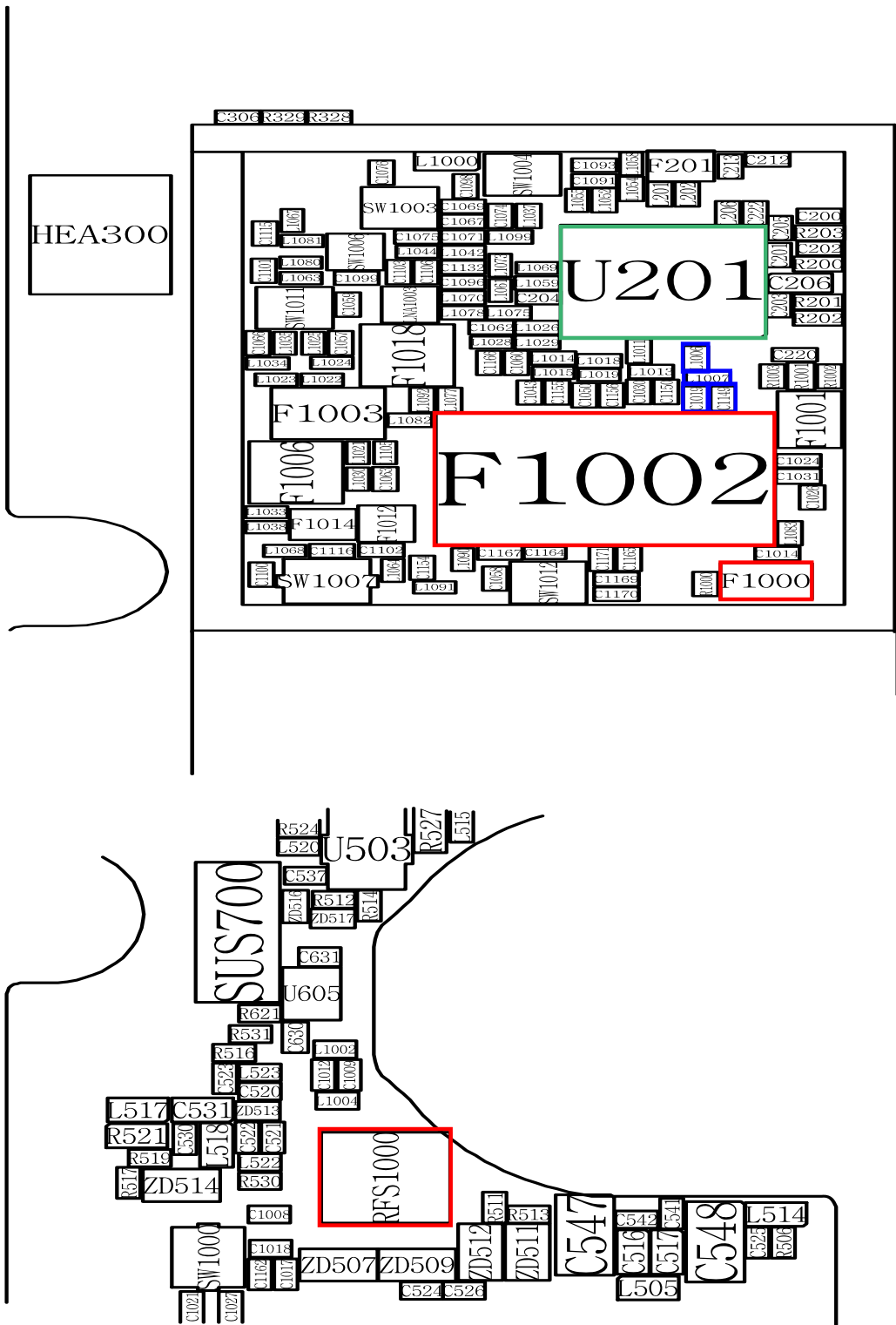


8-3-21. GSM1800 / GSM1900 / WCDMA B2

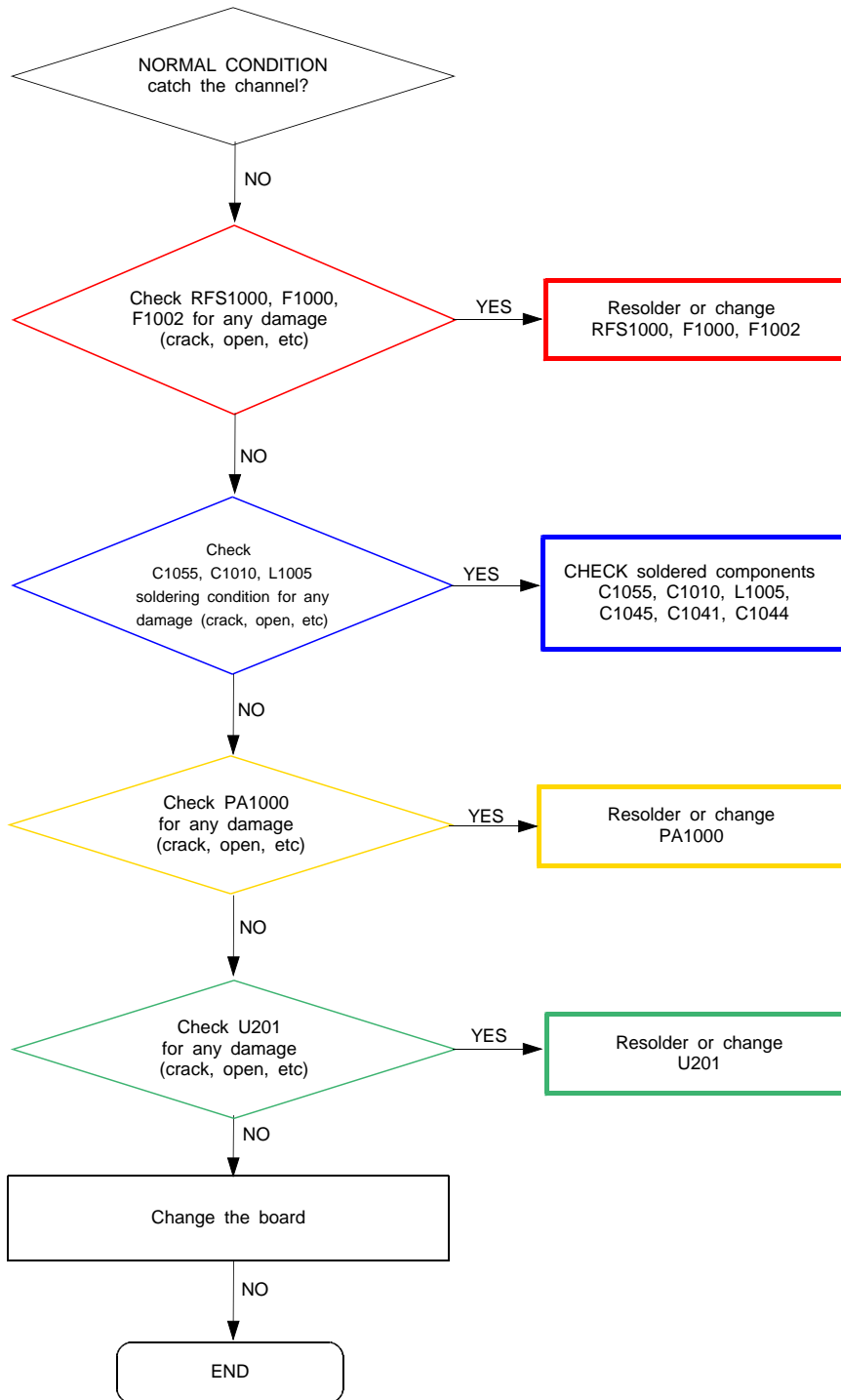


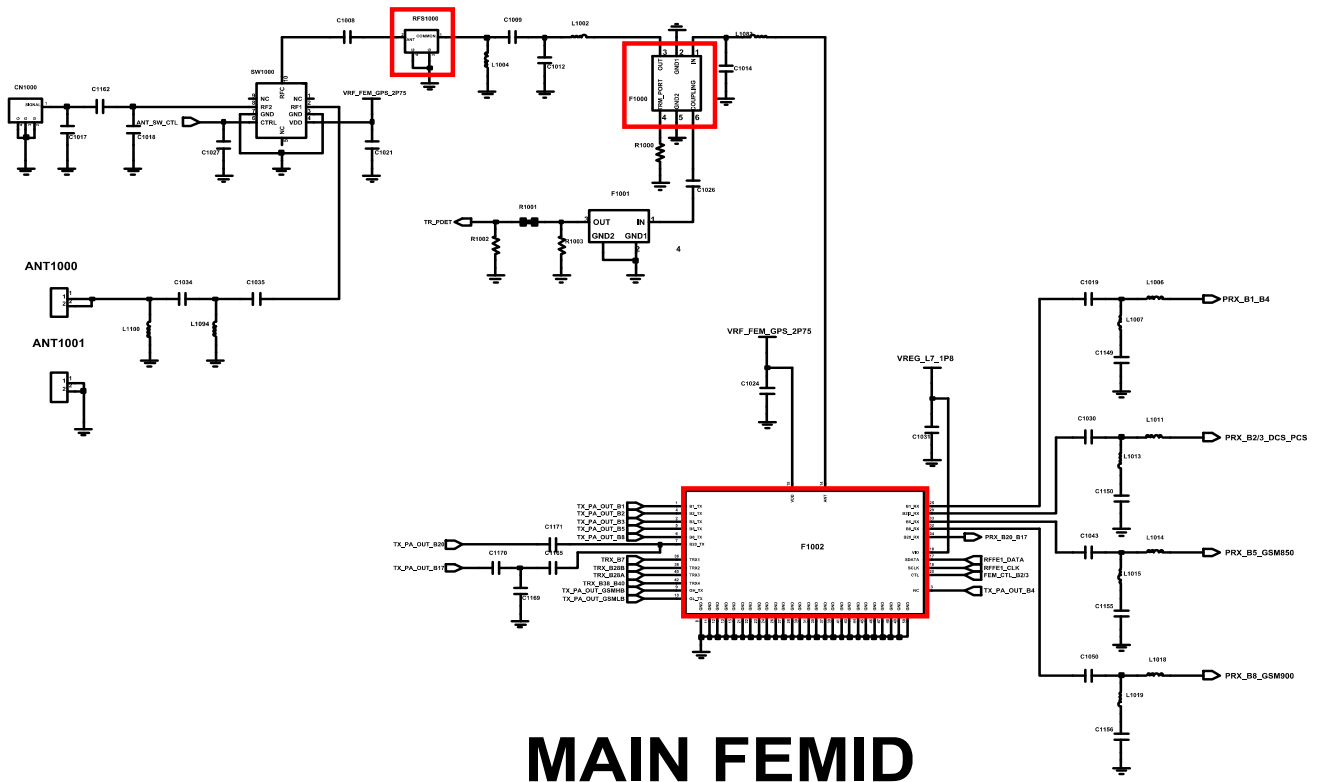
8-3-22. WCDMA B1



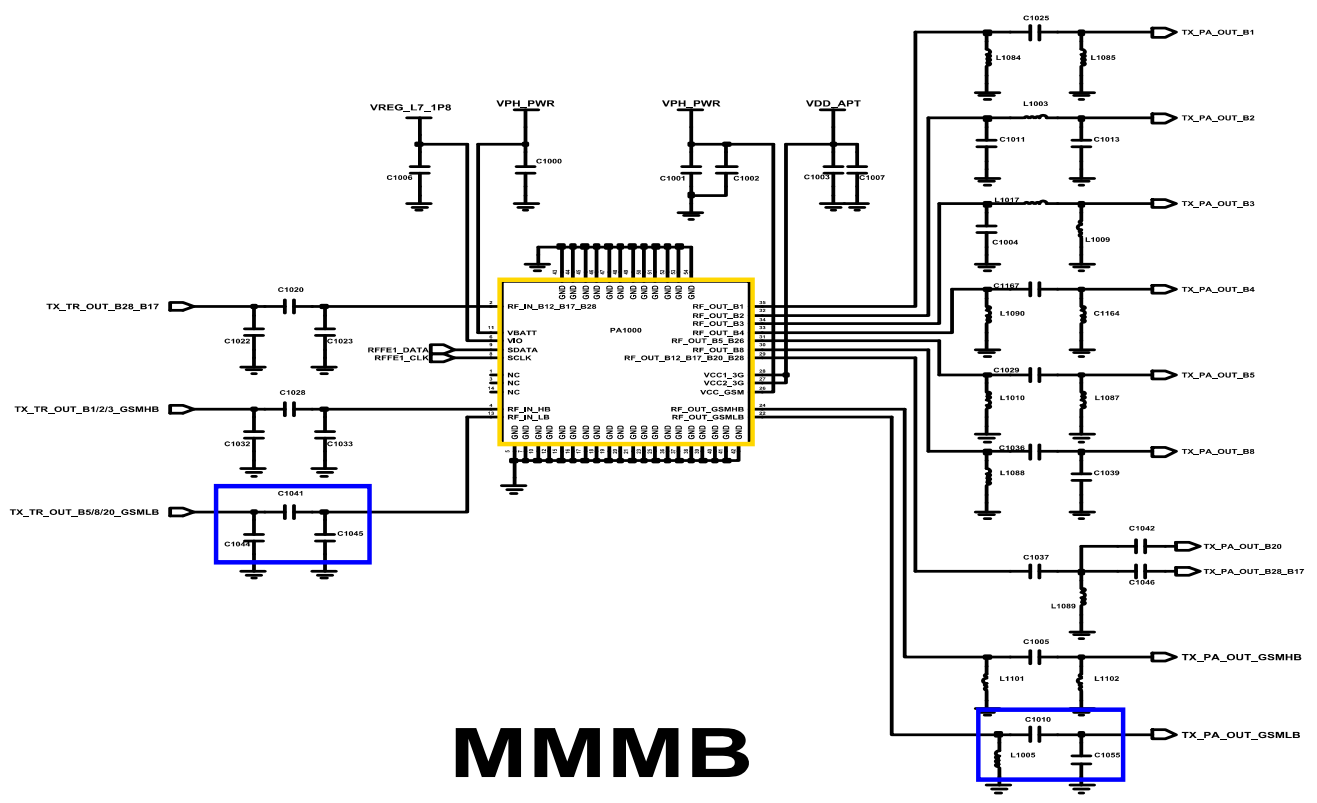


8-3-25. GSM850 / GSM900 TX

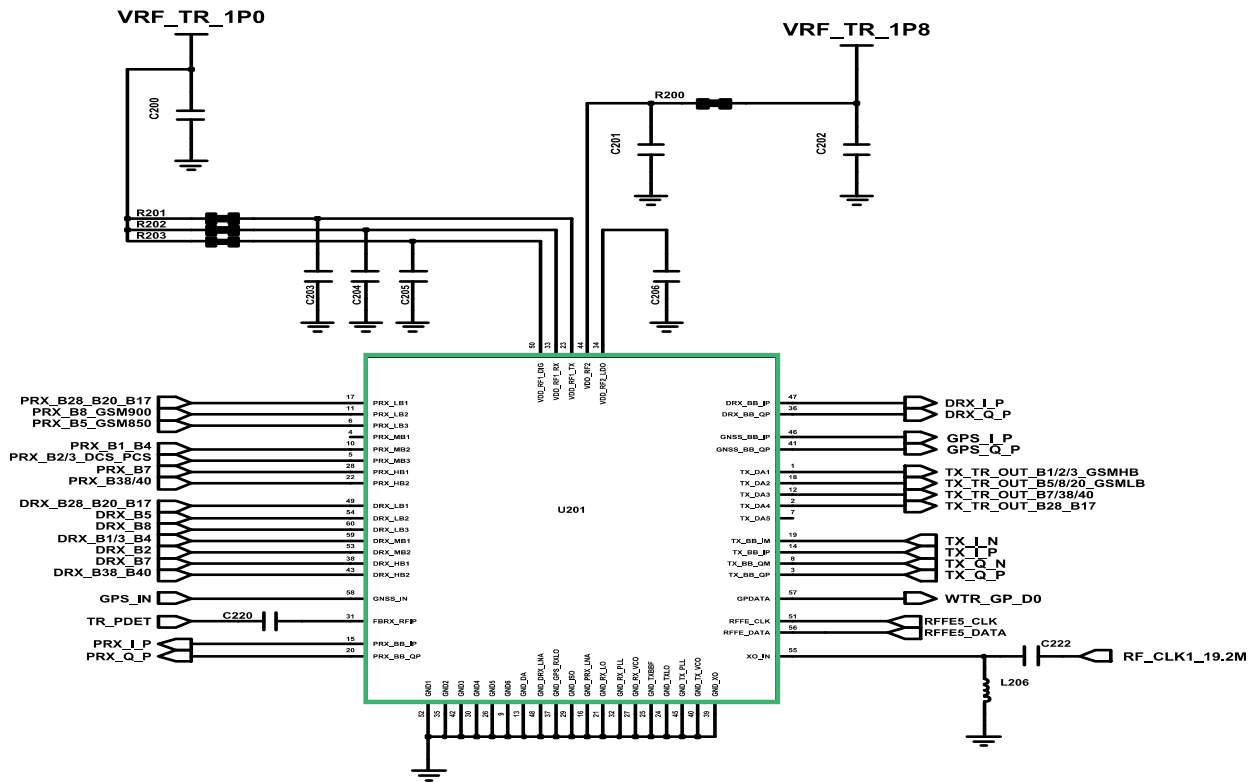




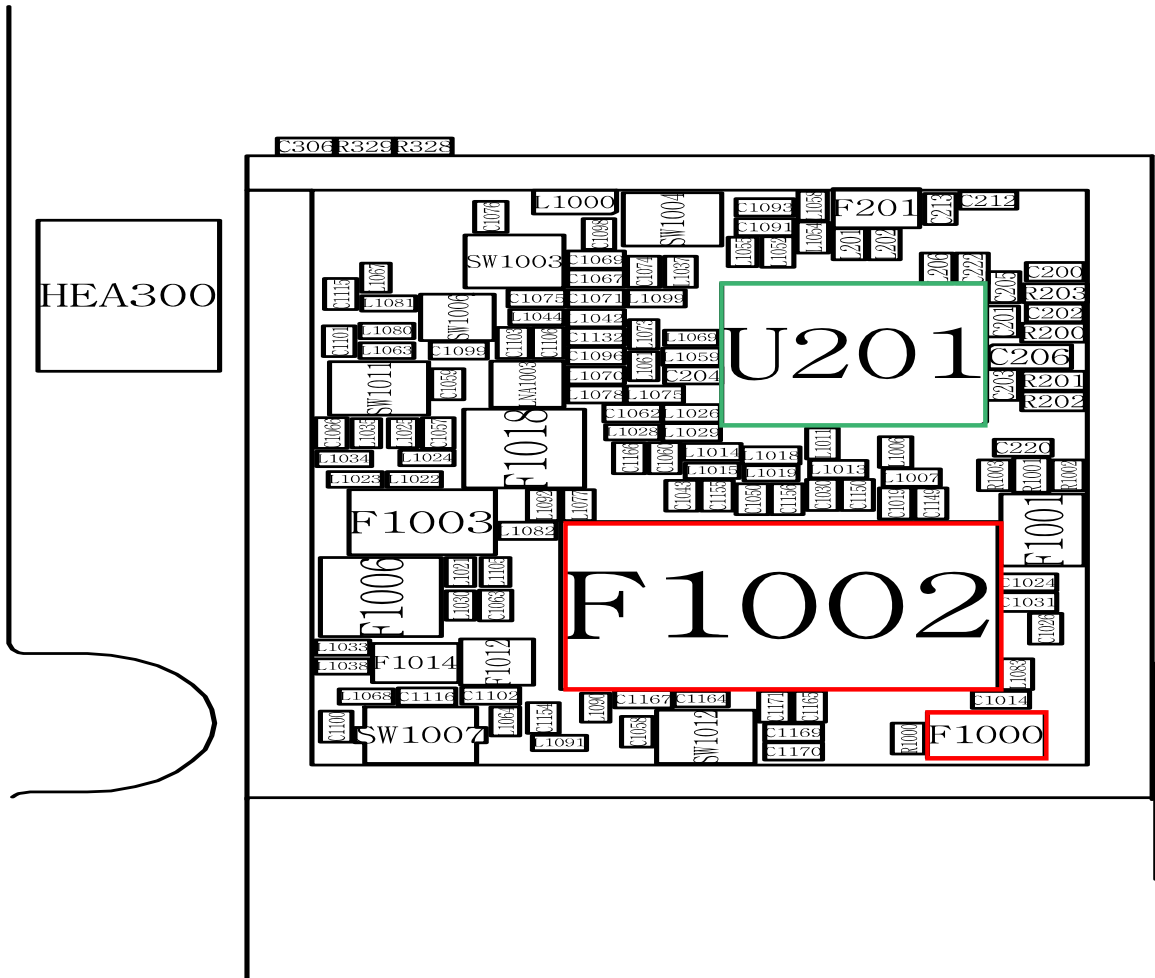
MAIN FEMID

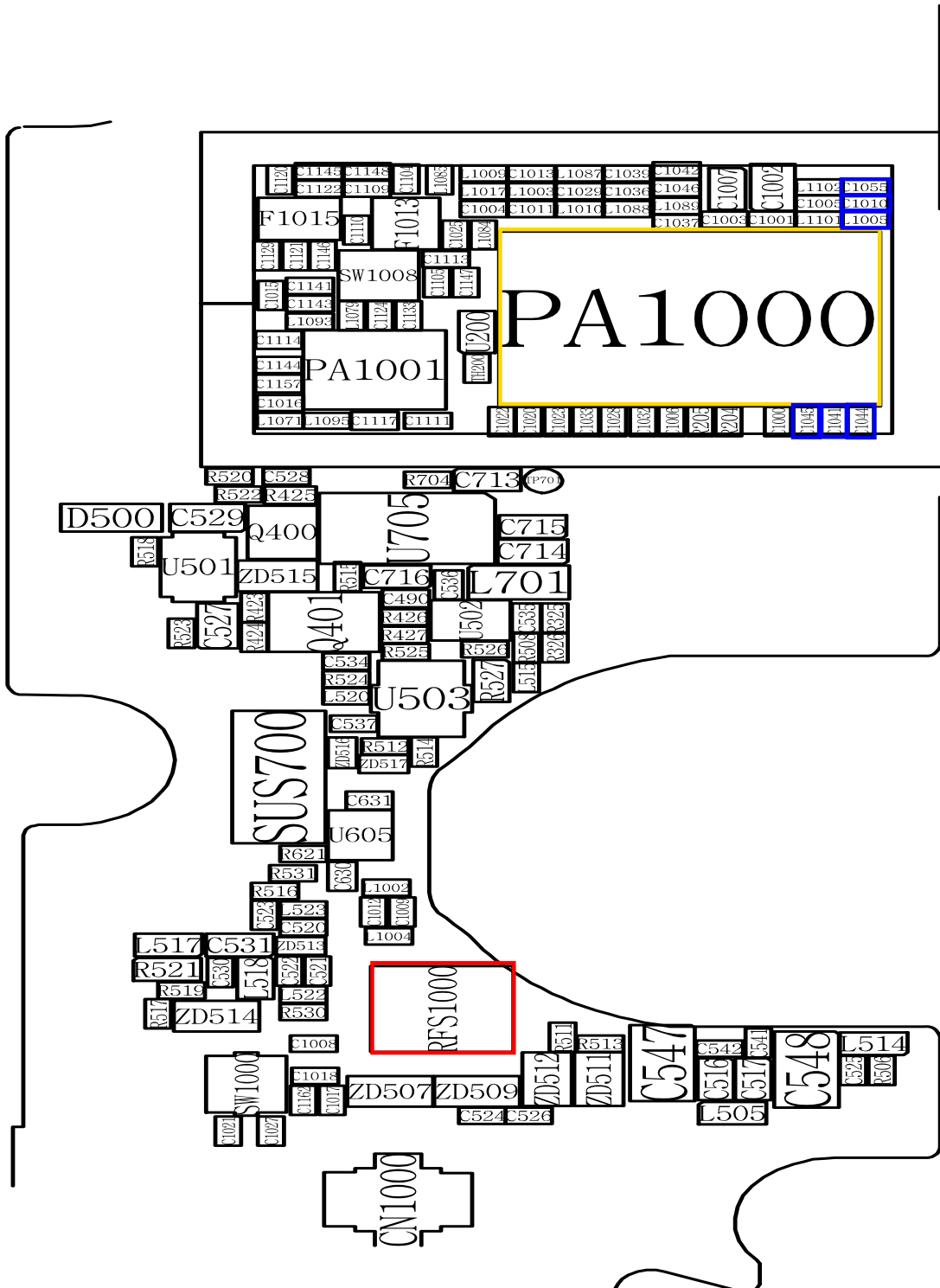


MMMB

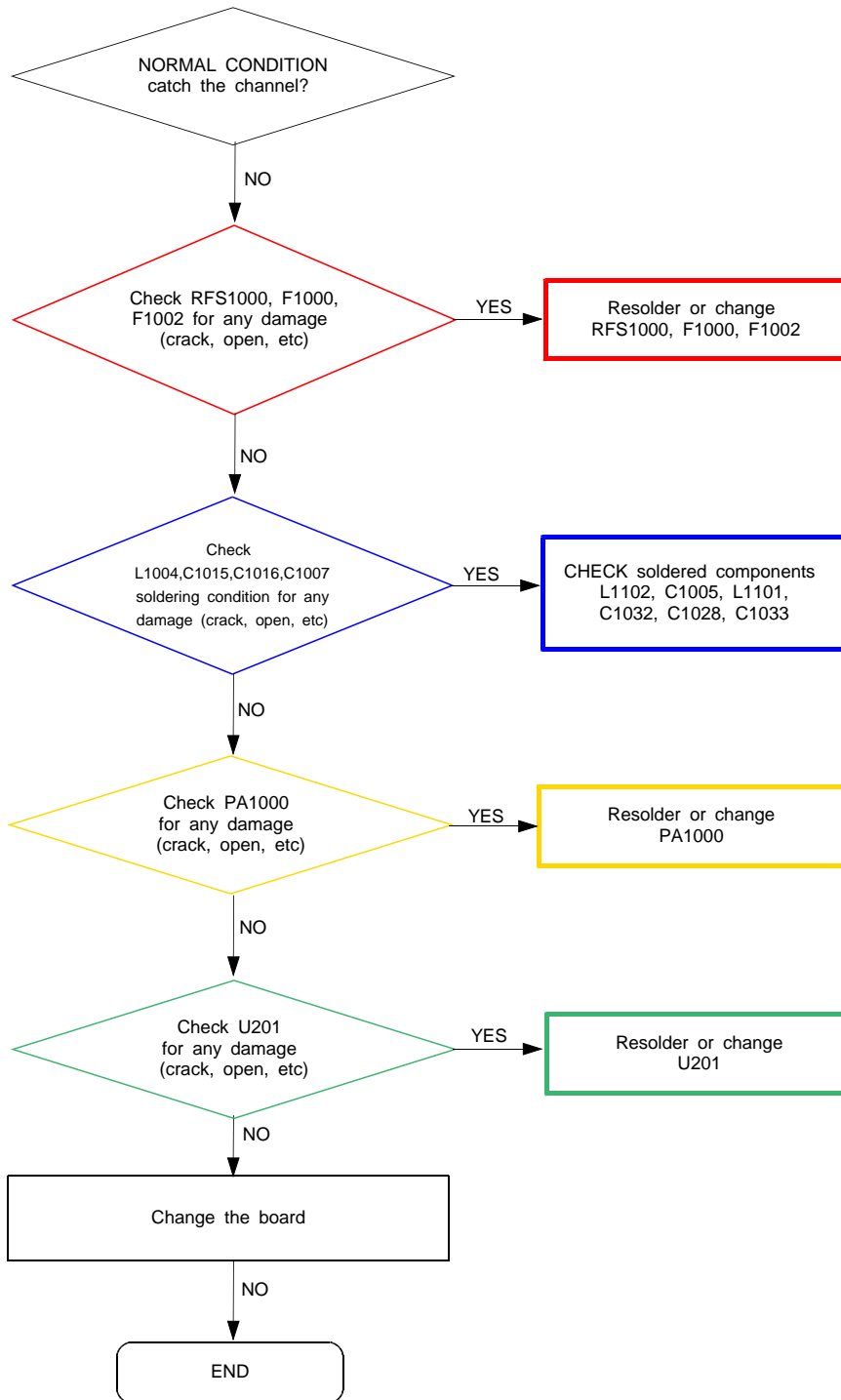


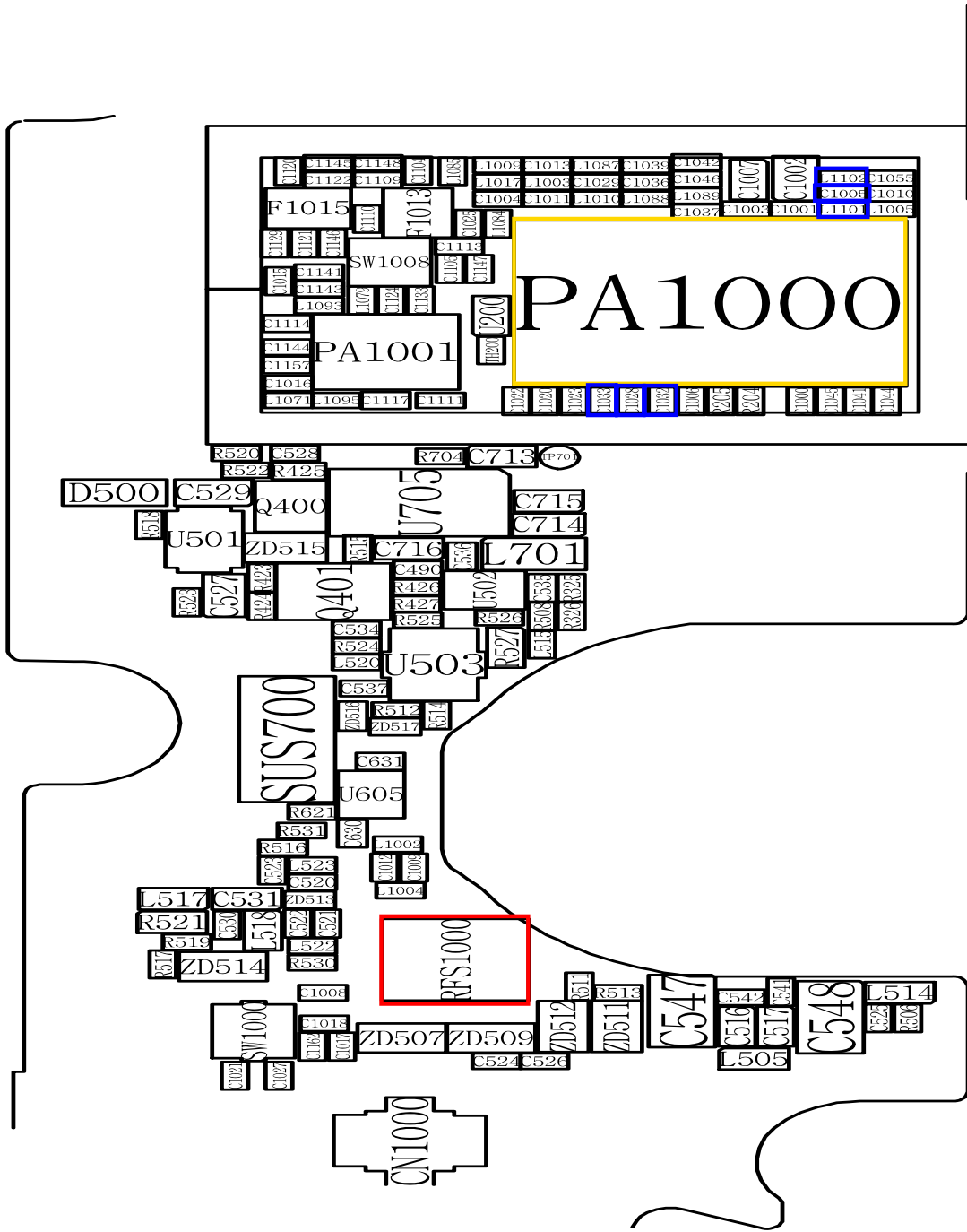
RF Transceiver



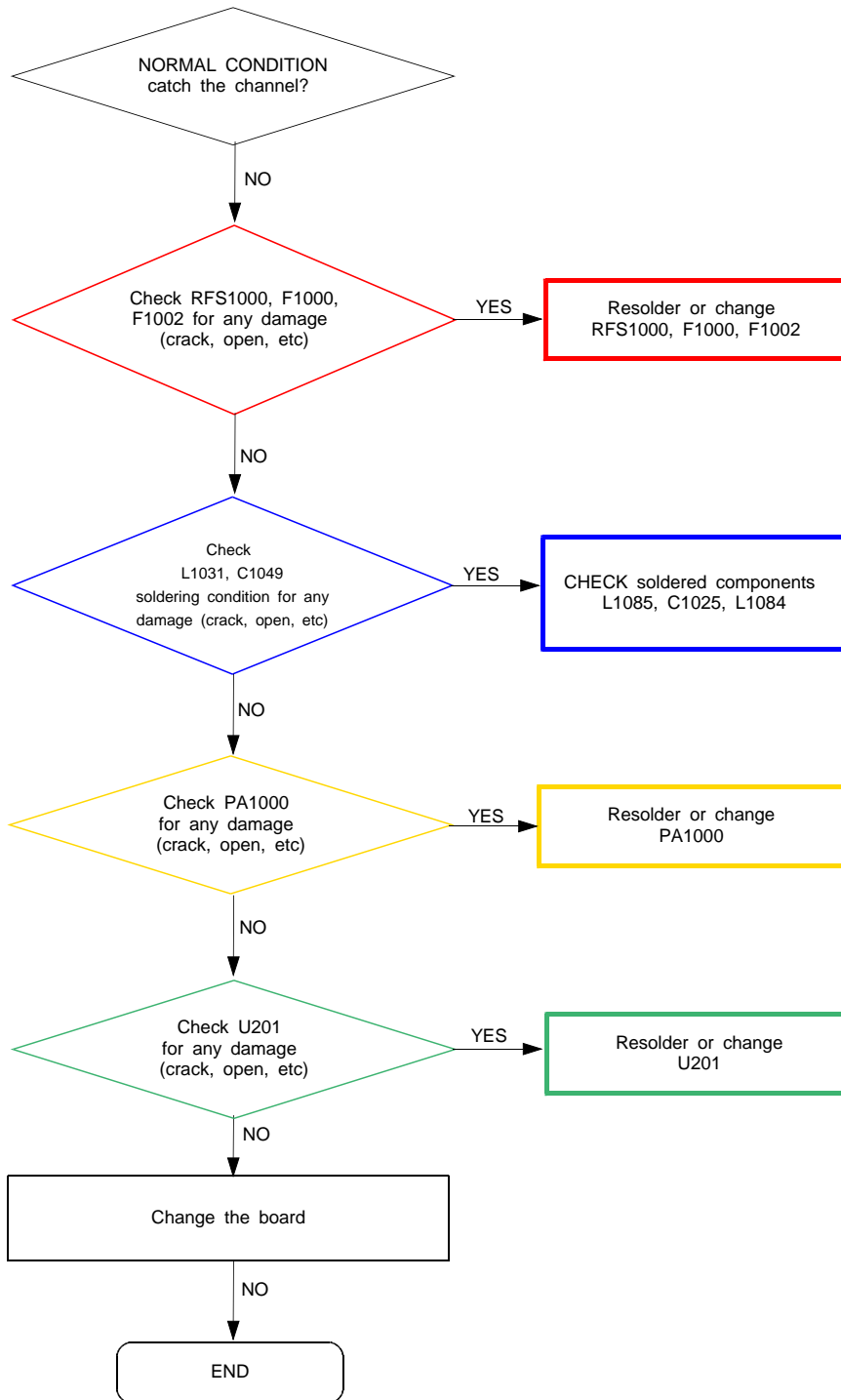


8-3-26. GSM1800 / GSM1900 TX

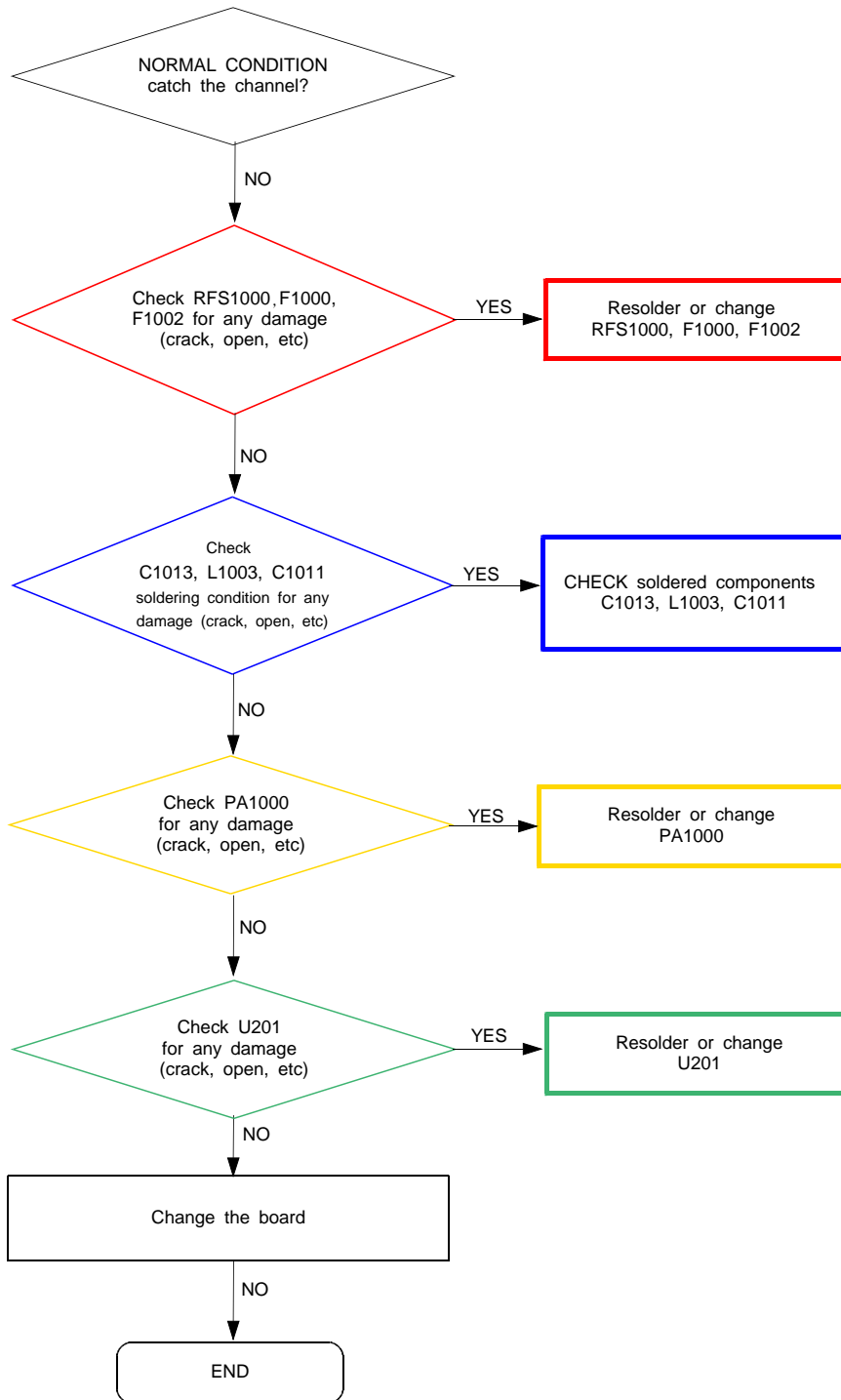


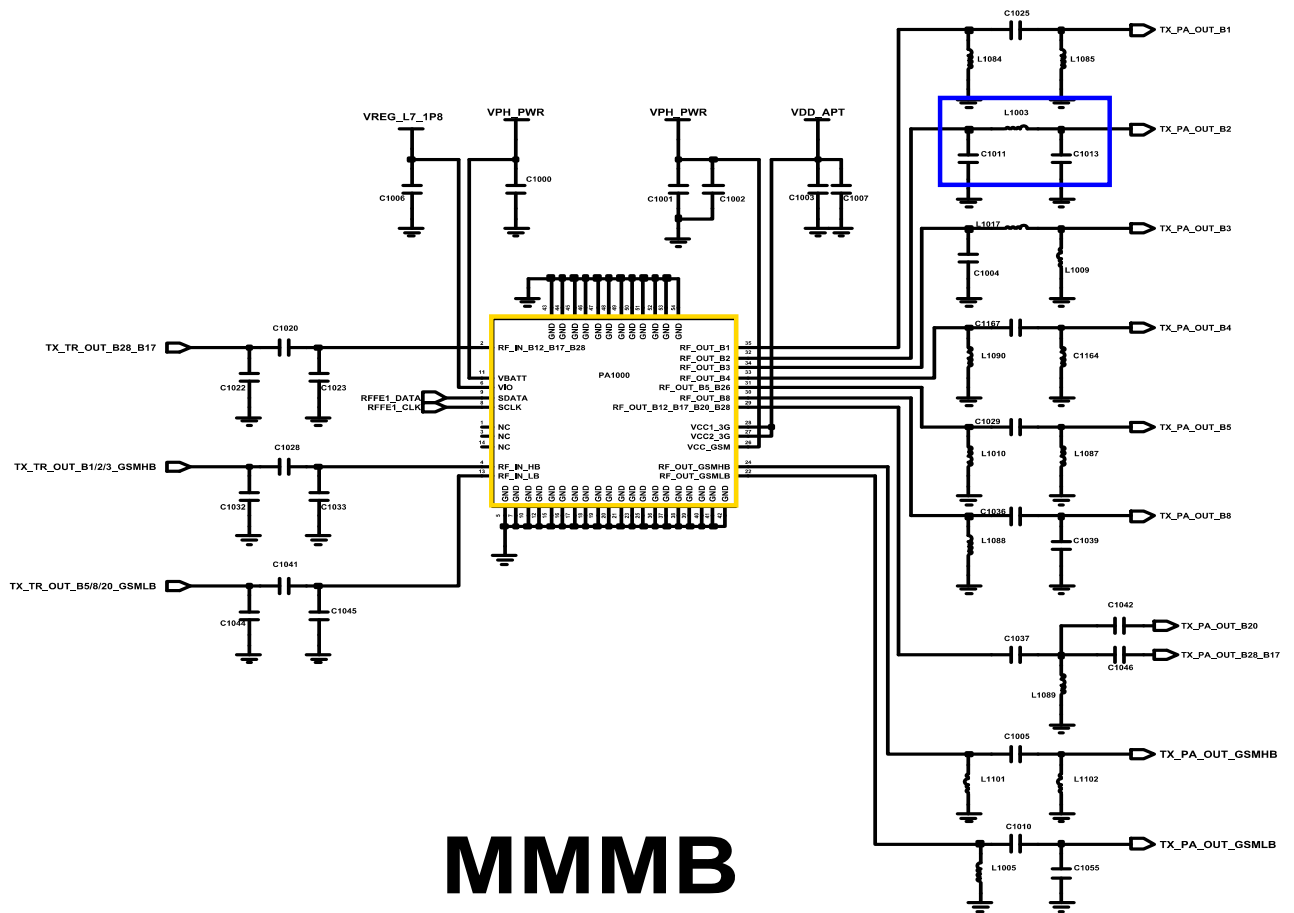
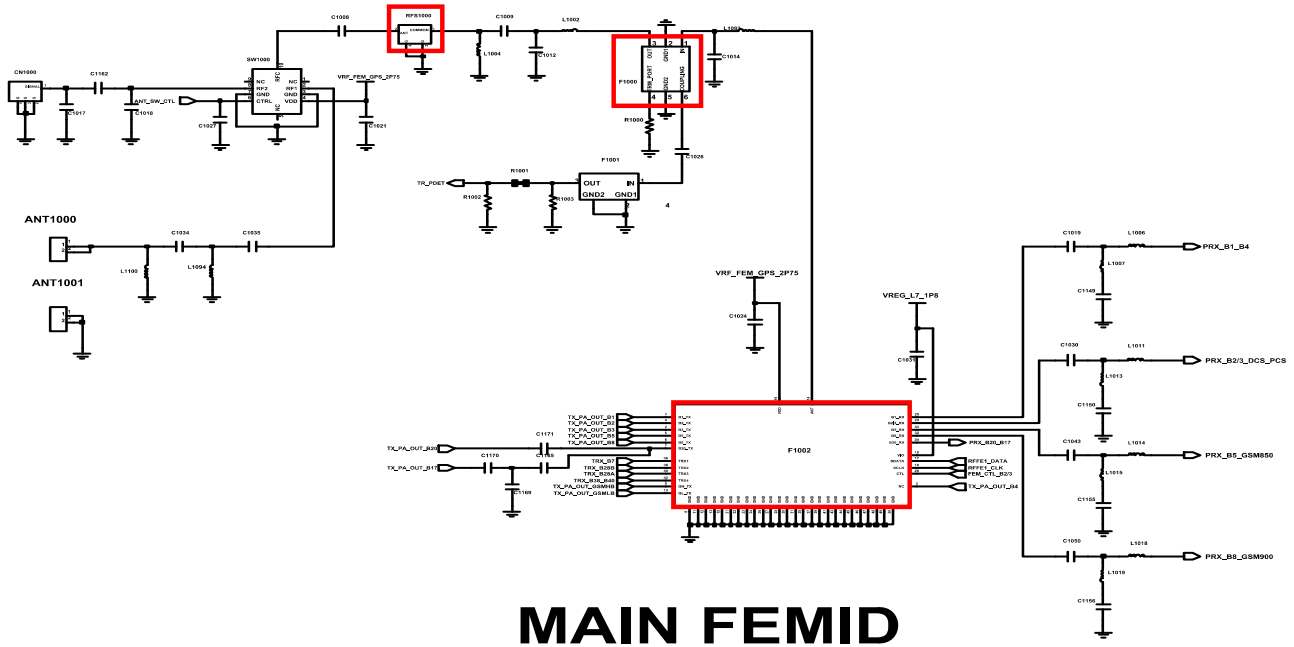


8-3-27. WCDMA B1

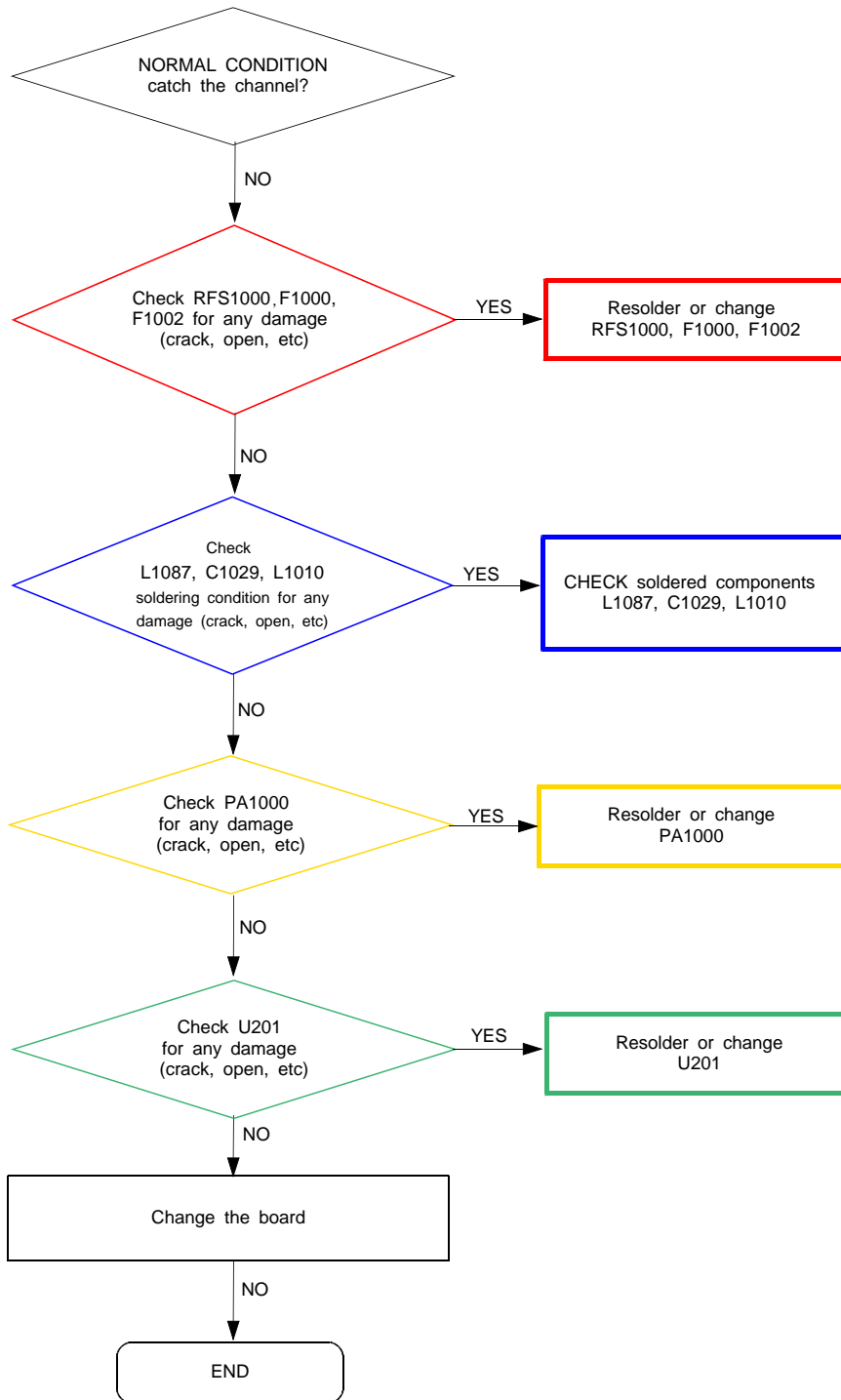


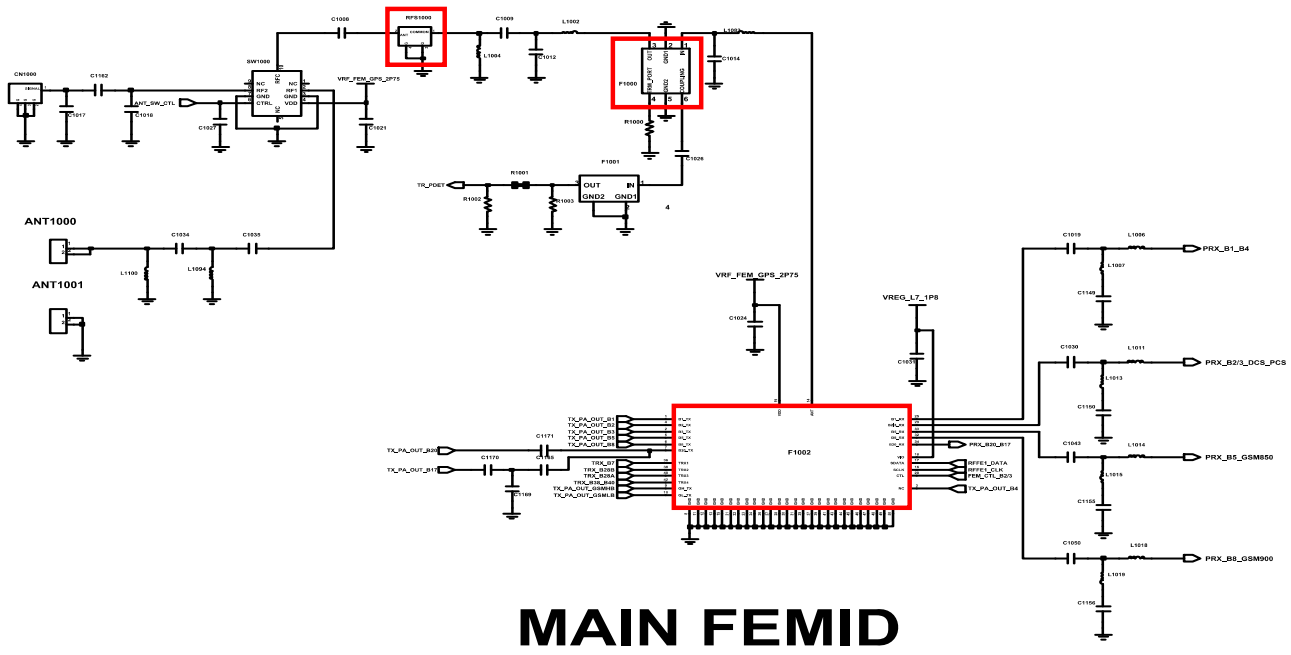
8-3-28. WCDMA B2 TX



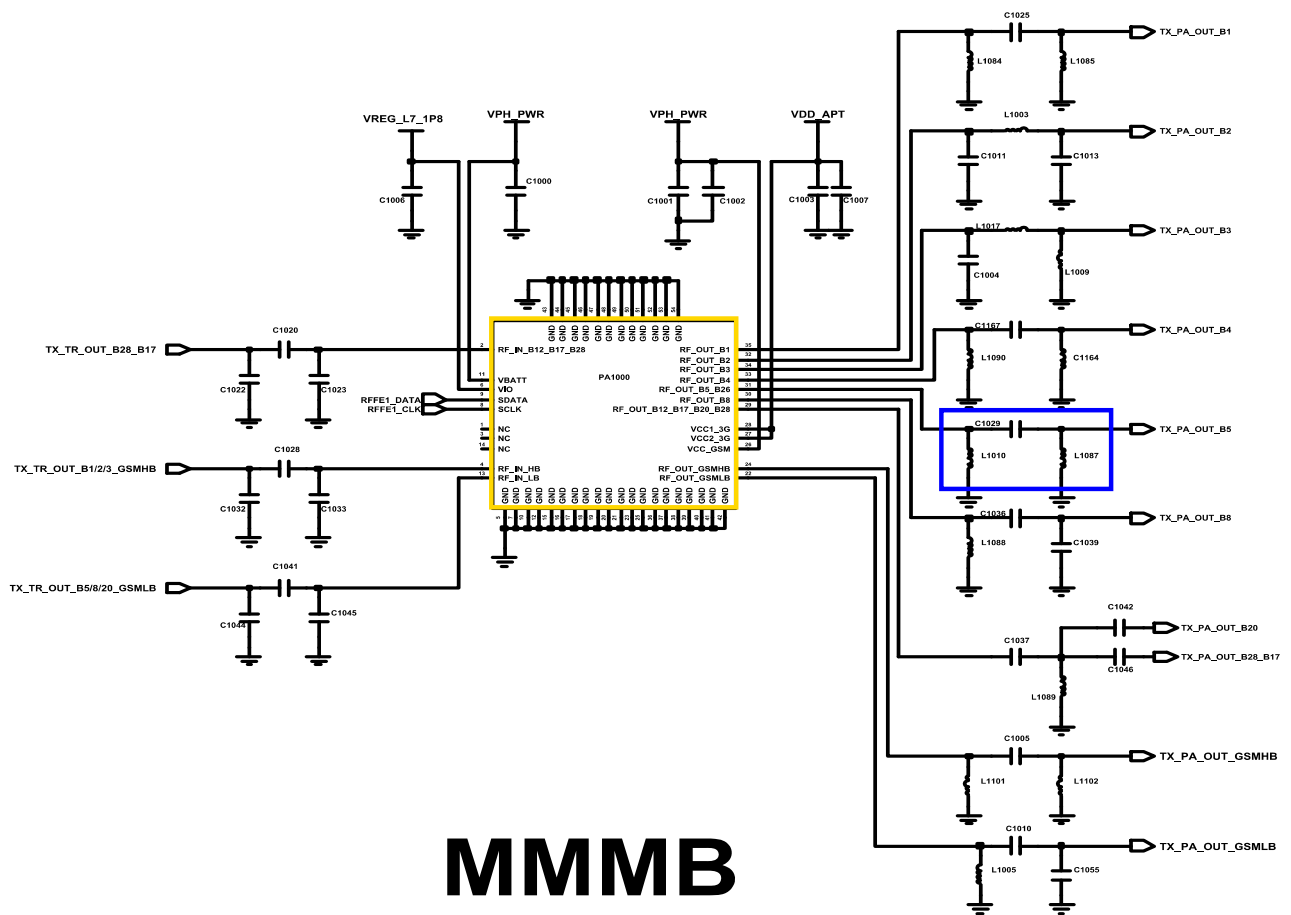


8-3-29. WCDMA B5



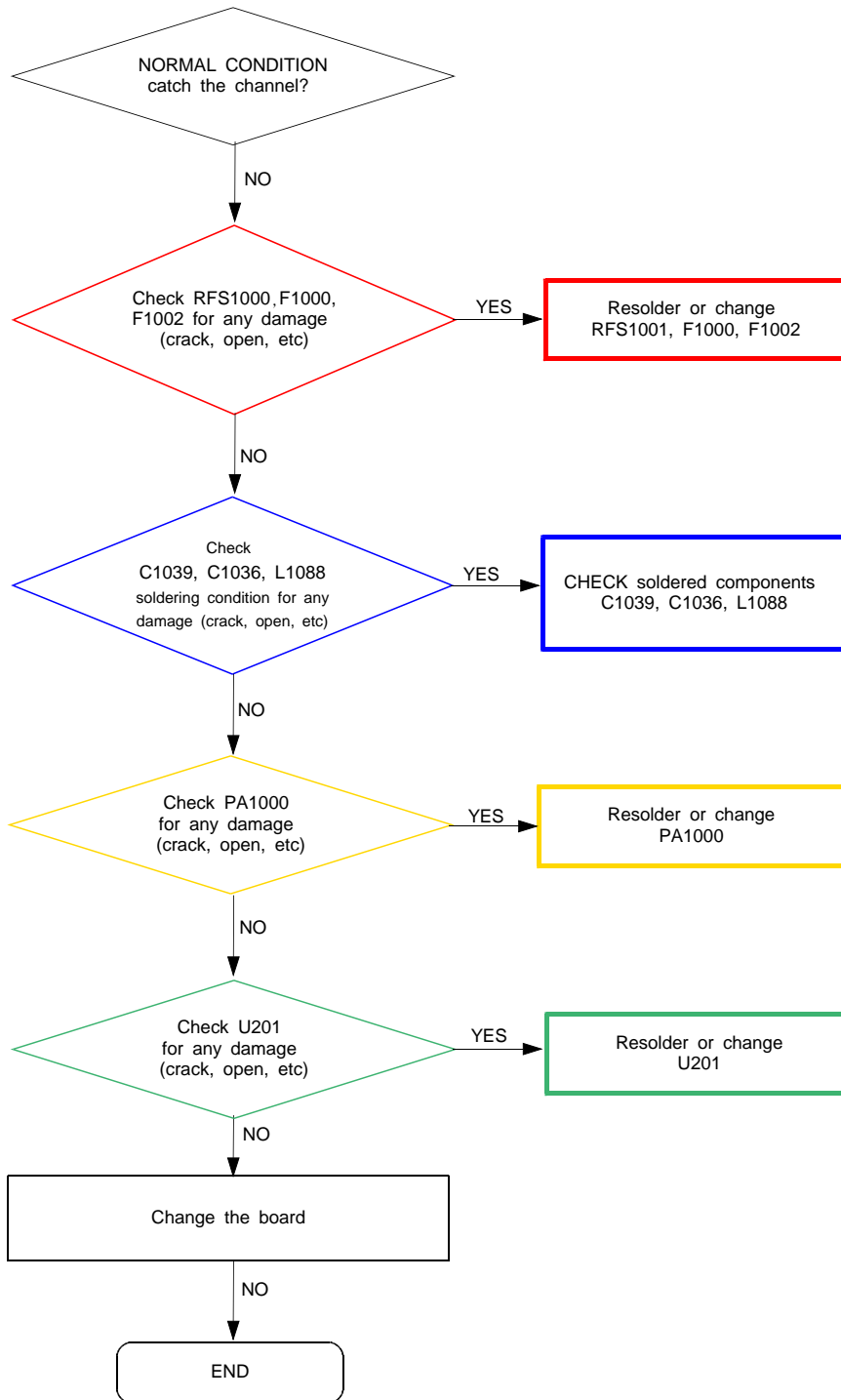


MAIN FEMID

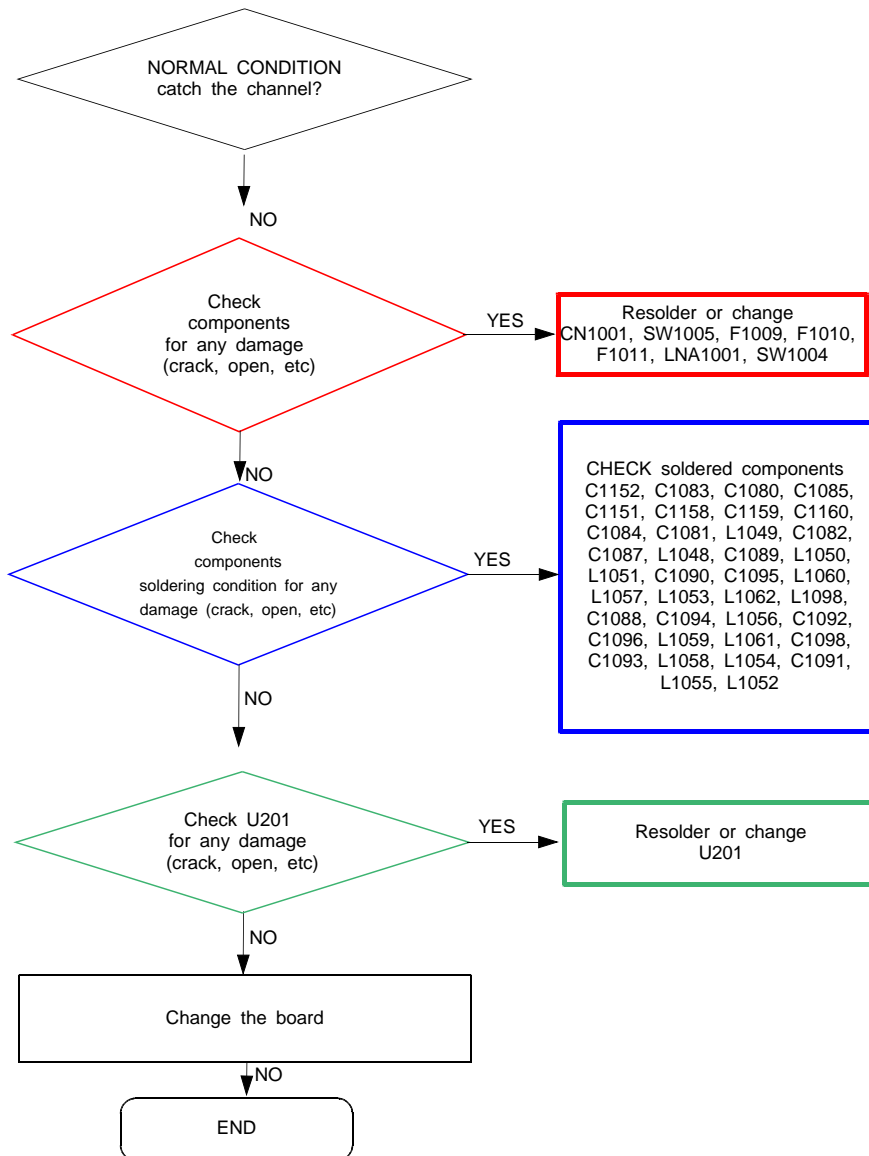


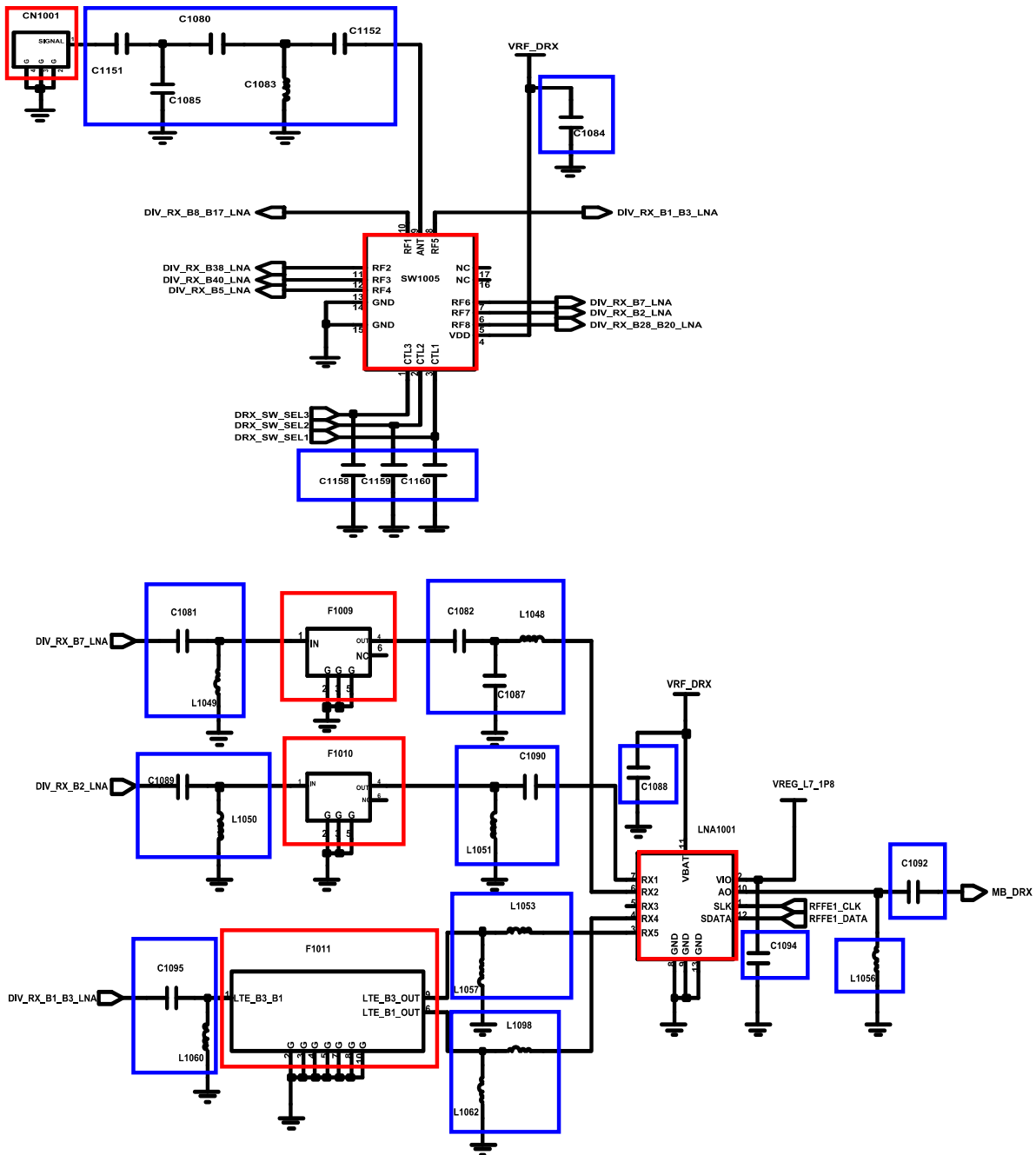
MMMB

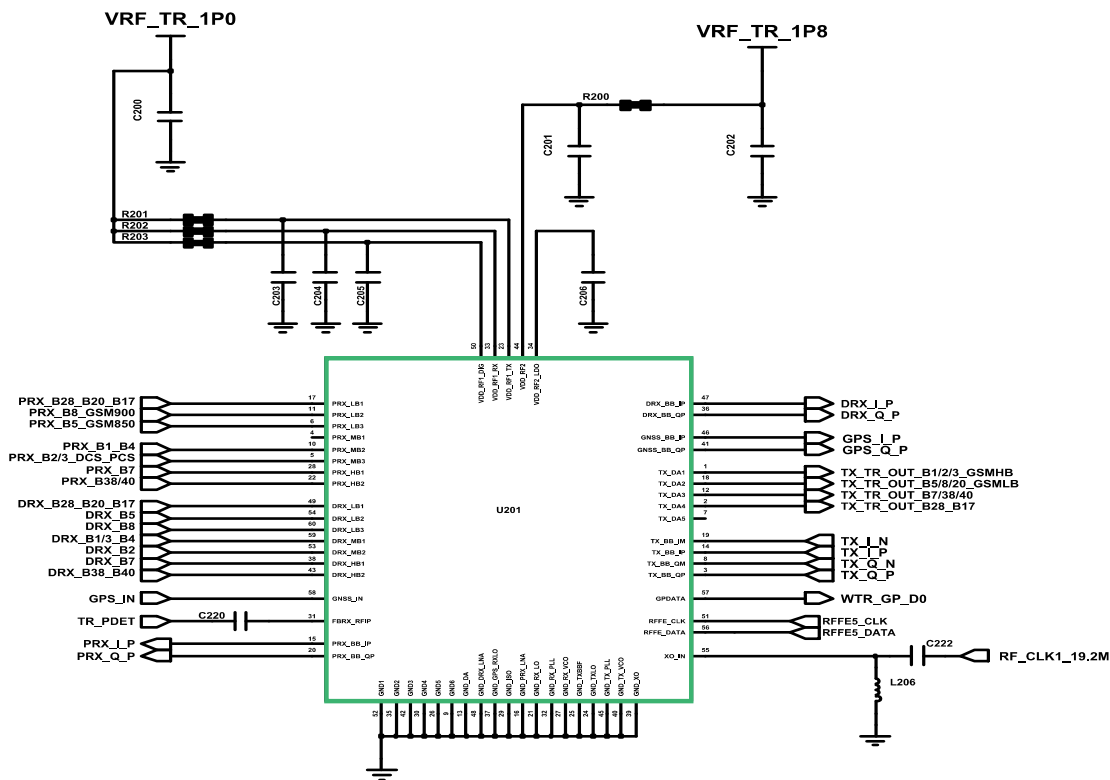
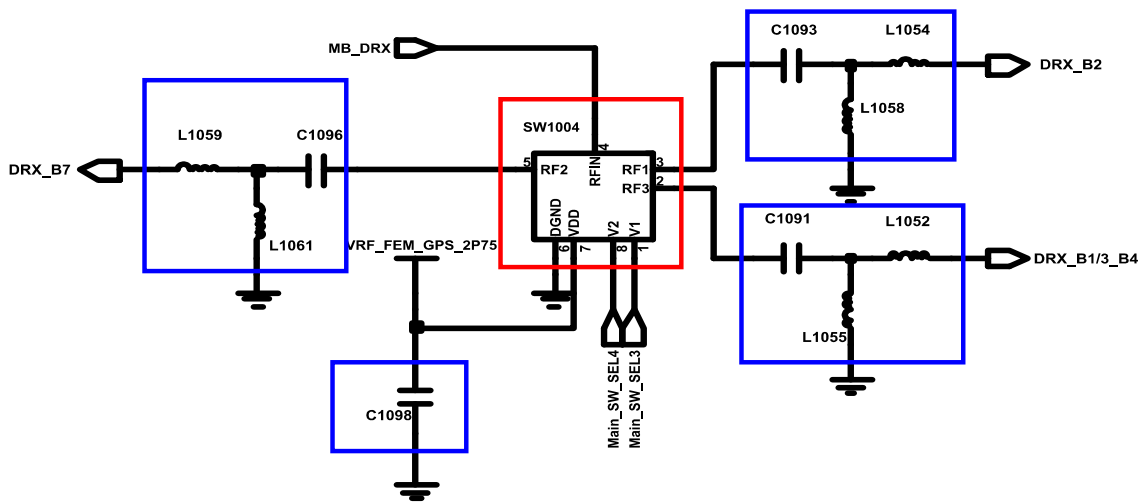
8-3-30. WCDMA B8



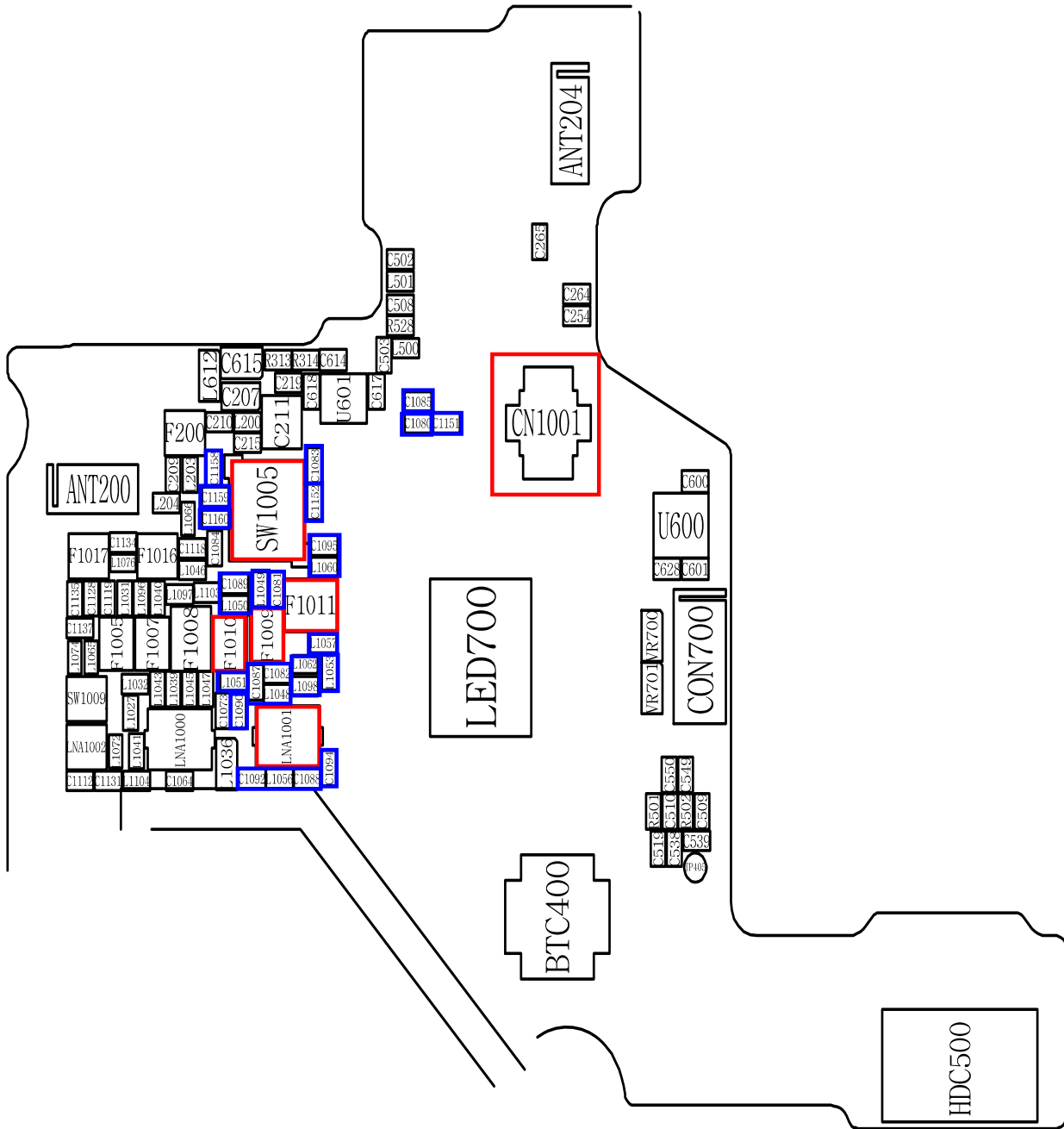
8-3-34. GSM1800 / GSM1900 / WCDMA B1 / WCDMA B2



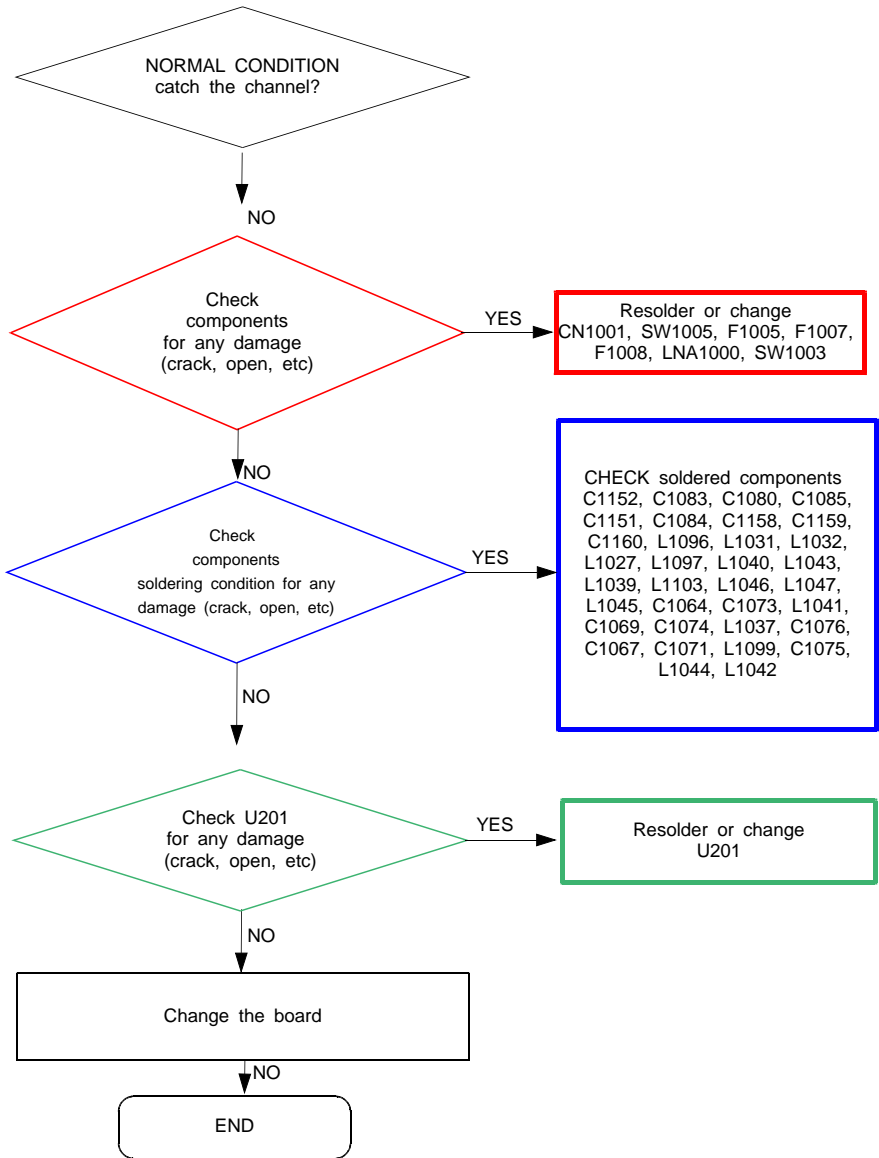


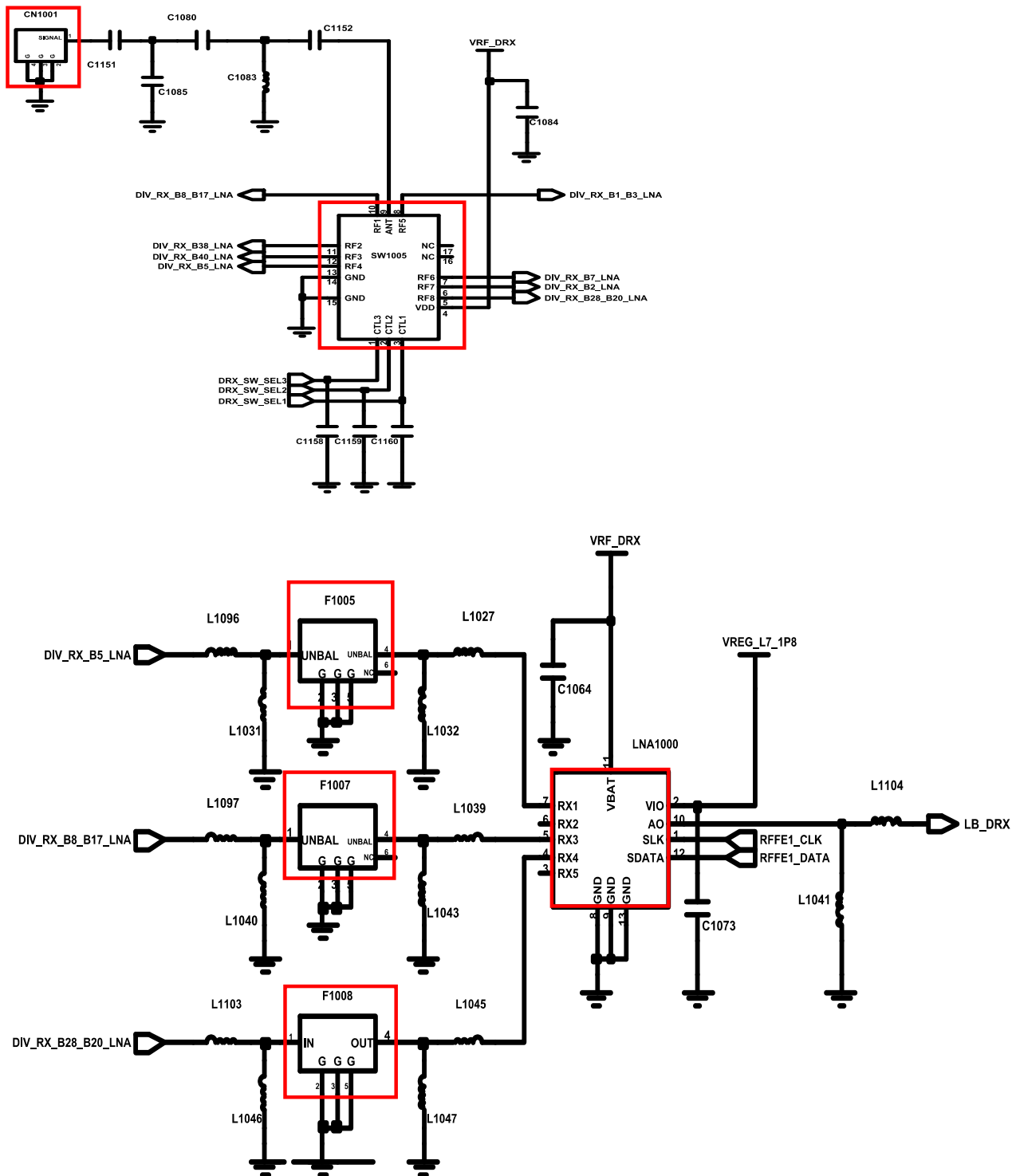


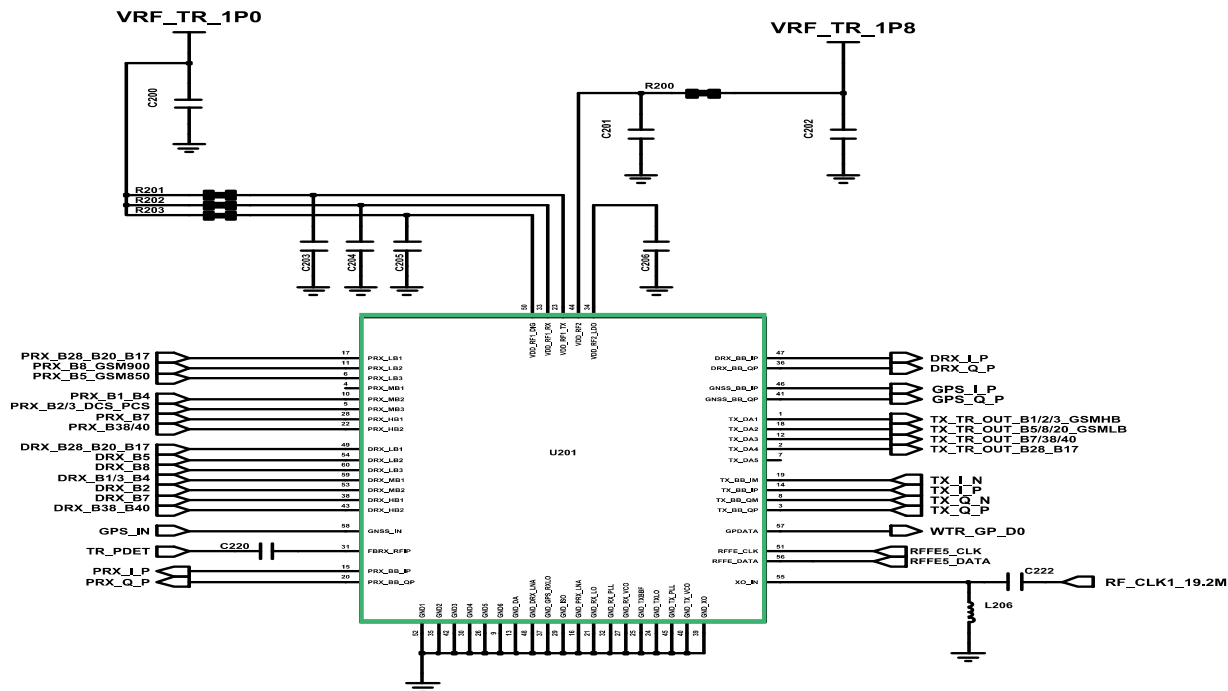
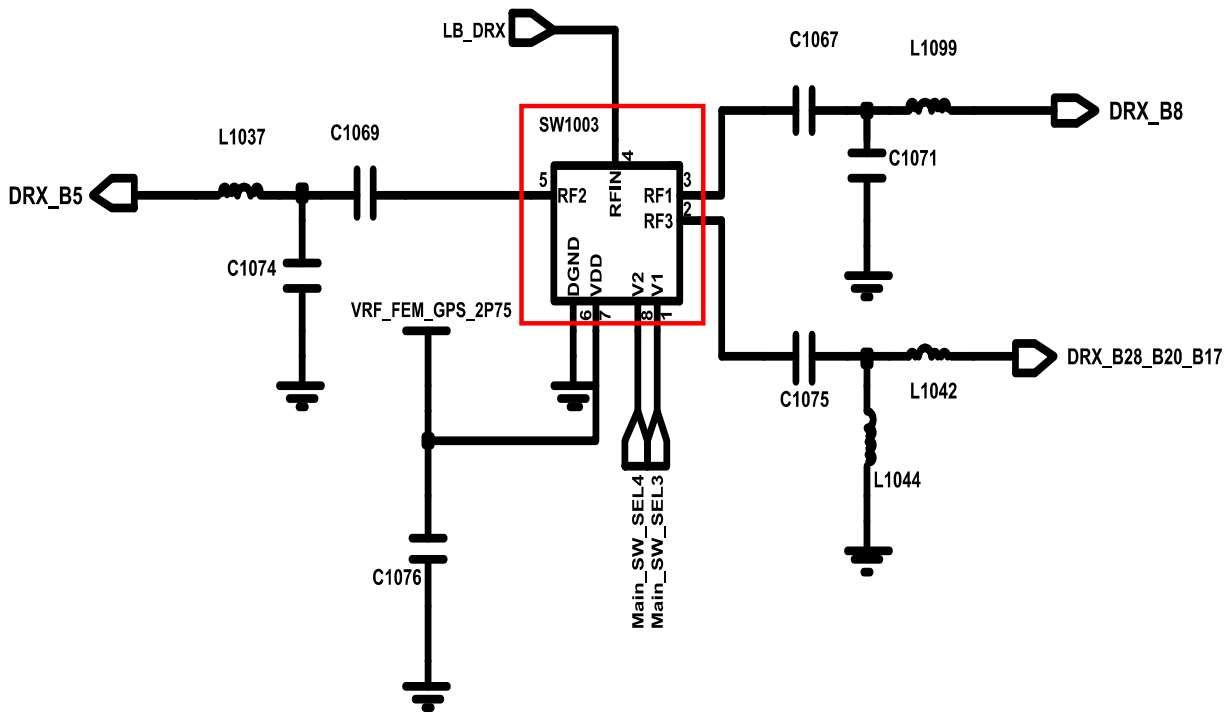
RF Transceiver



8-3-35. GSM850 / GSM900 / WCDMA B5 / WCDMA B8







RF Transceiver

8-4. Service Schematics

- NC Point(Top View)

●: NC

UME4000

	1	2	3	4	5	6	7	8	9	10	11	12	13	14
A														
B														
C	●													●
D	●								●	●	●	●	●	●
E	●	●	●	●	●	●	●	●	●	●	●	●	●	●
F	●					●	●							●
G	●					●	●							●
H	●					●	●							●
I	●					●	●							●
J	●					●	●							●
K	●					●	●							●
L	●					●	●							●
M	●					●	●							●
N	●					●	●							●
P	●					●	●							●
R	●					●	●							●
T	●					●	●							●
U	●					●	●							●
V	●					●	●							●
W	●					●	●							●
Y	●					●	●							●
AA						●	●							
AB						●	●							

UCP300

U400

	1	2	3	4	5	6	7	8	9	10	11	12	13	14
A														
B														
C										●				
D								●	●					
E						●								
F				●		●								
G														
H	●			●					●					●
J									●					
K						●	●					●		
L					●	●	●		●					
M														●
N														
P											●			