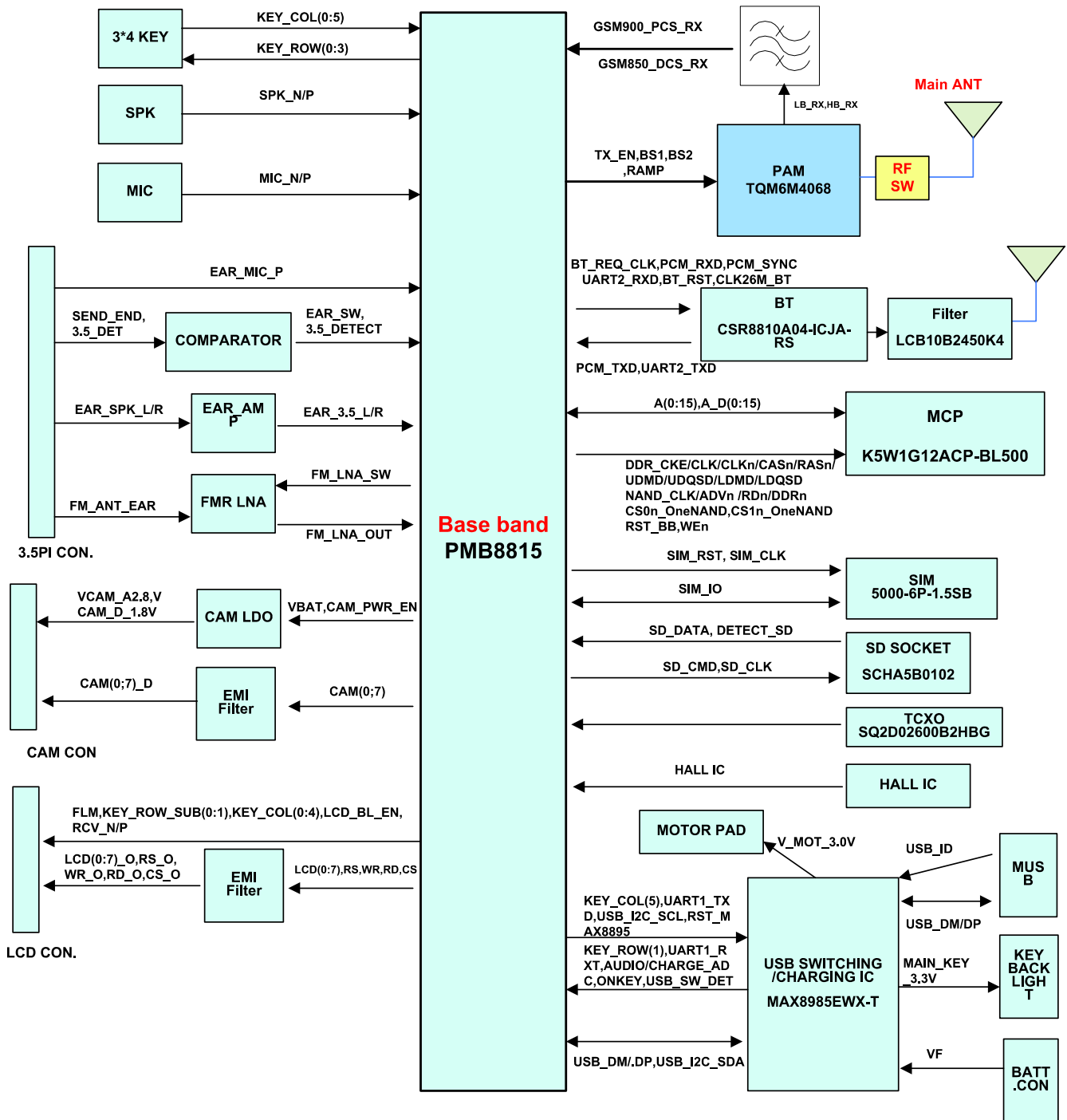


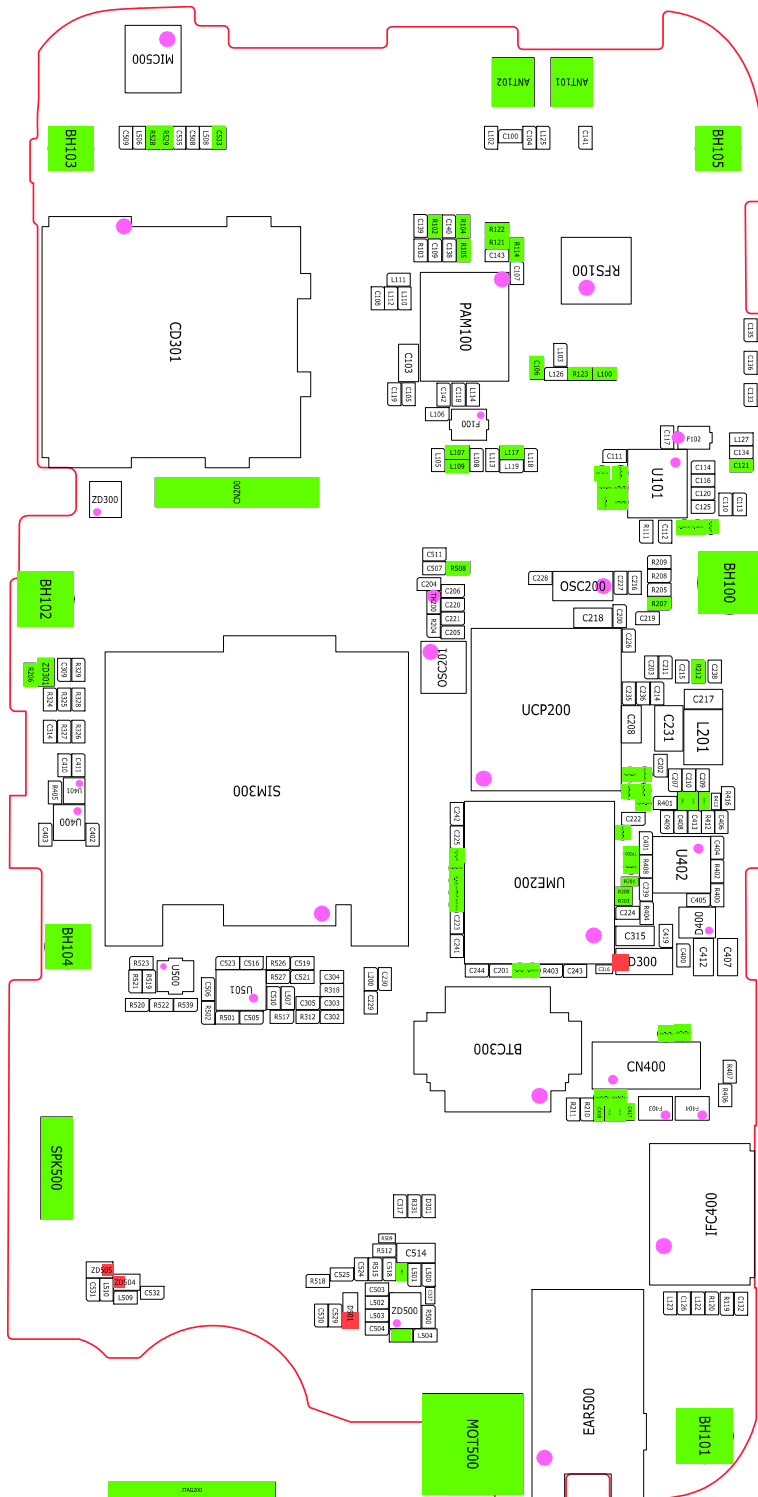
8. Level 3 Repair

8-1. Block Diagram

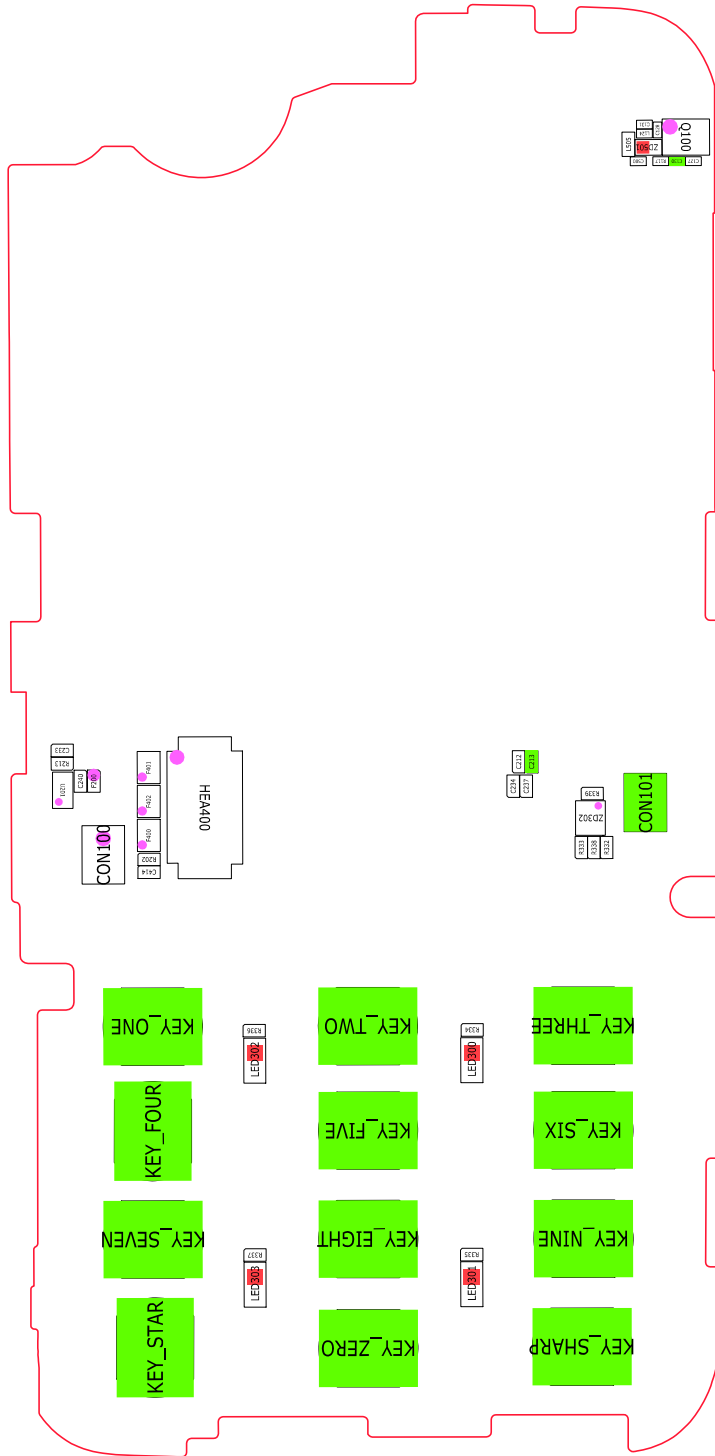


8-2. PCB Diagrams

8-2-1. Top

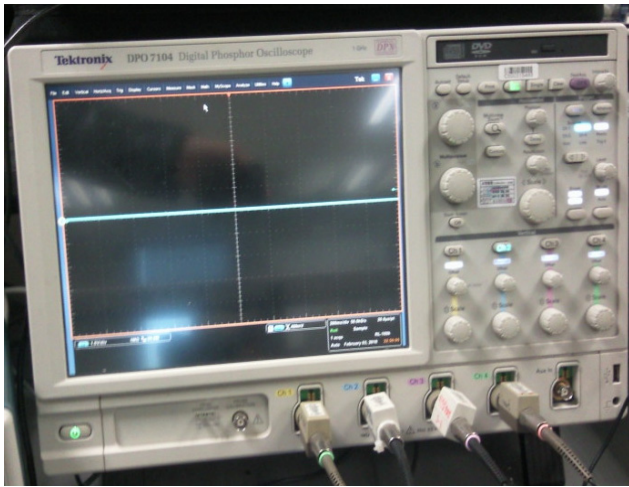


8-2-2. Bottom



8-3. Flow Chart of Troubleshooting

Equipments



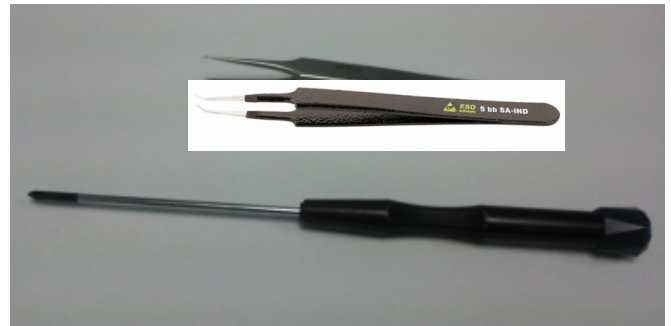
á Oscilloscope



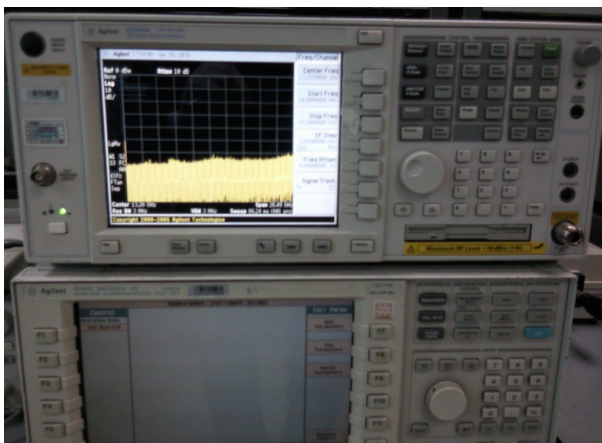
á Digital Multimeter



á Power Supply



á + driver, ESD Safe Tweezer

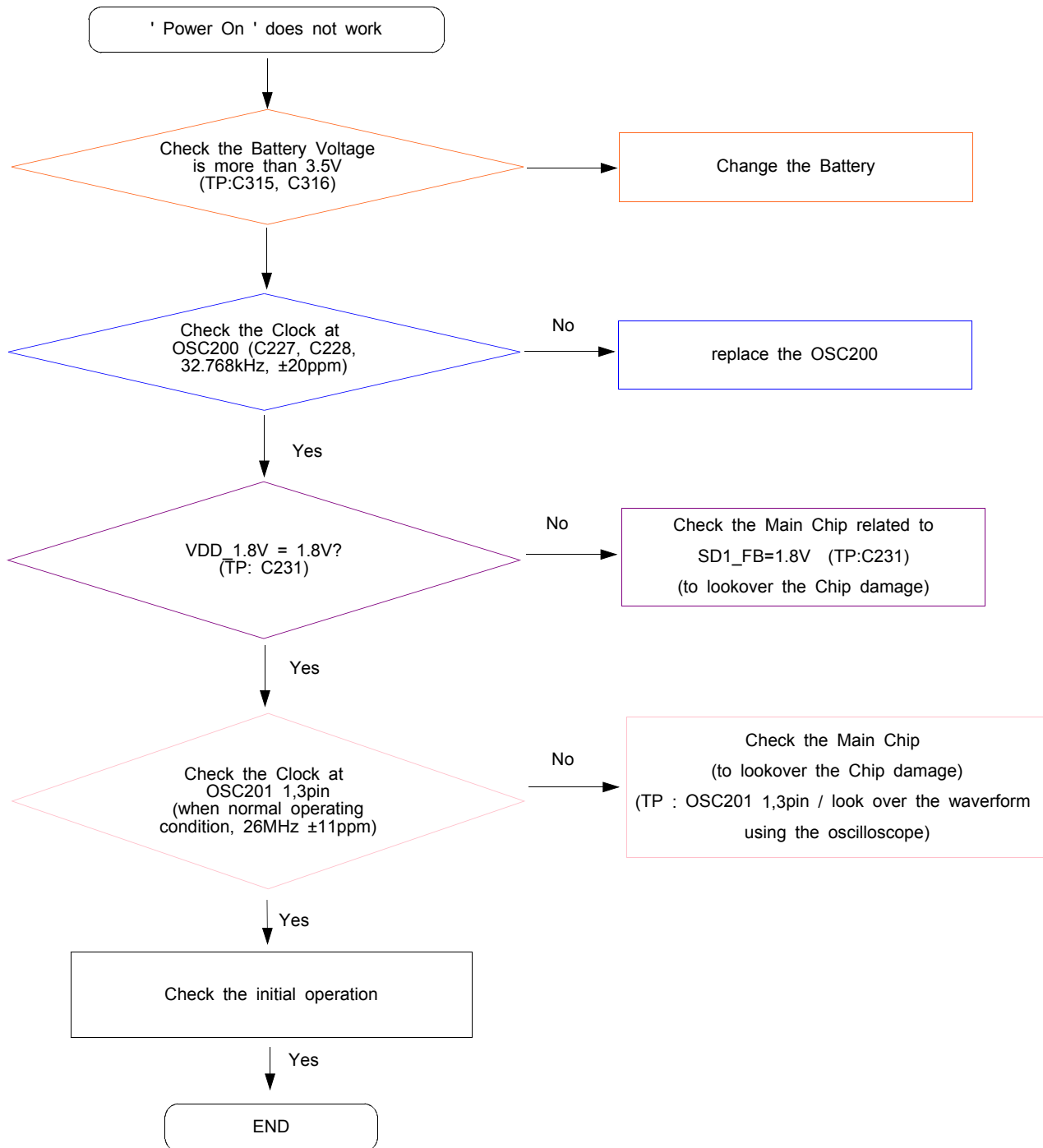


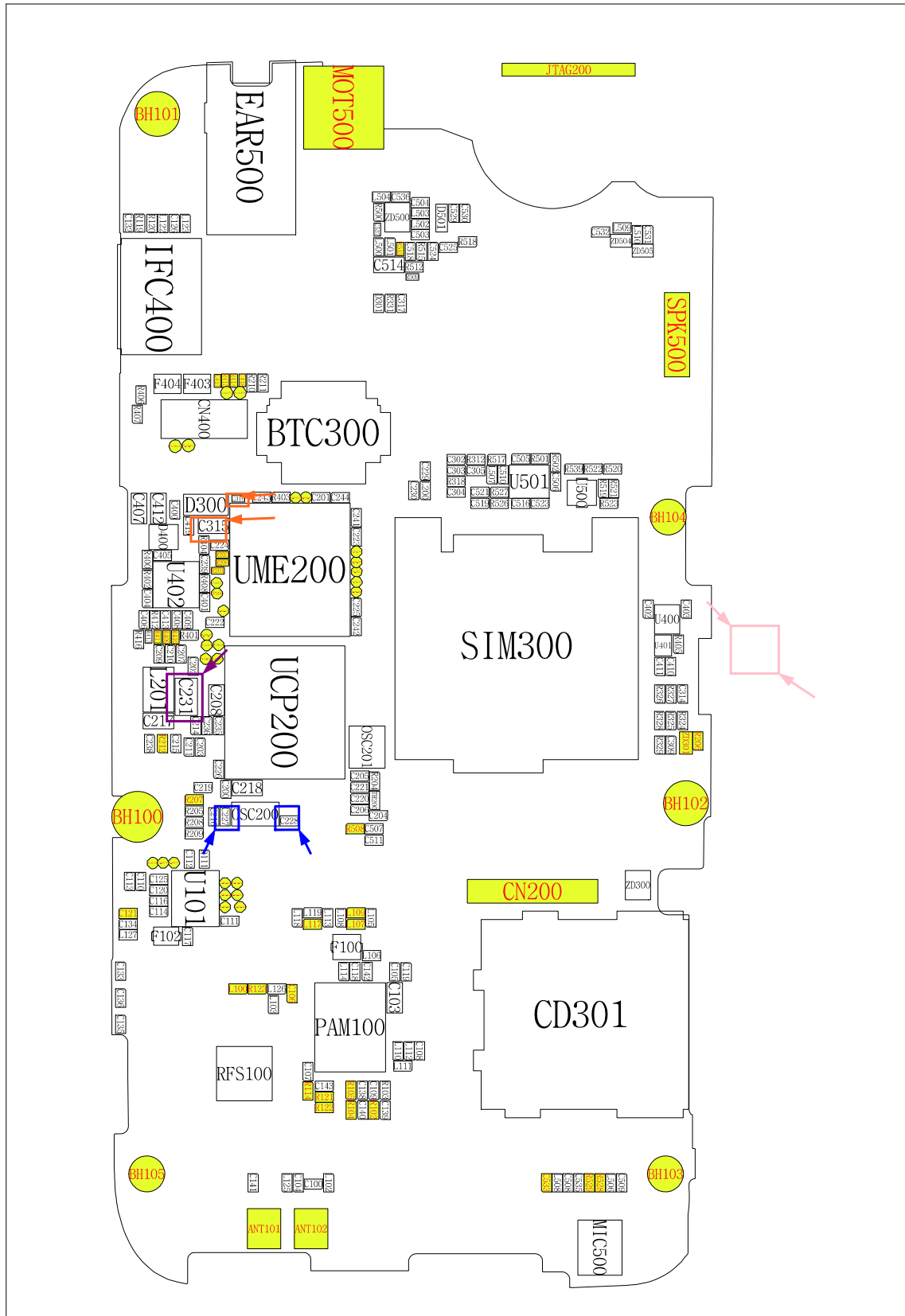
↑ 8960 & Spectrum Analyzer



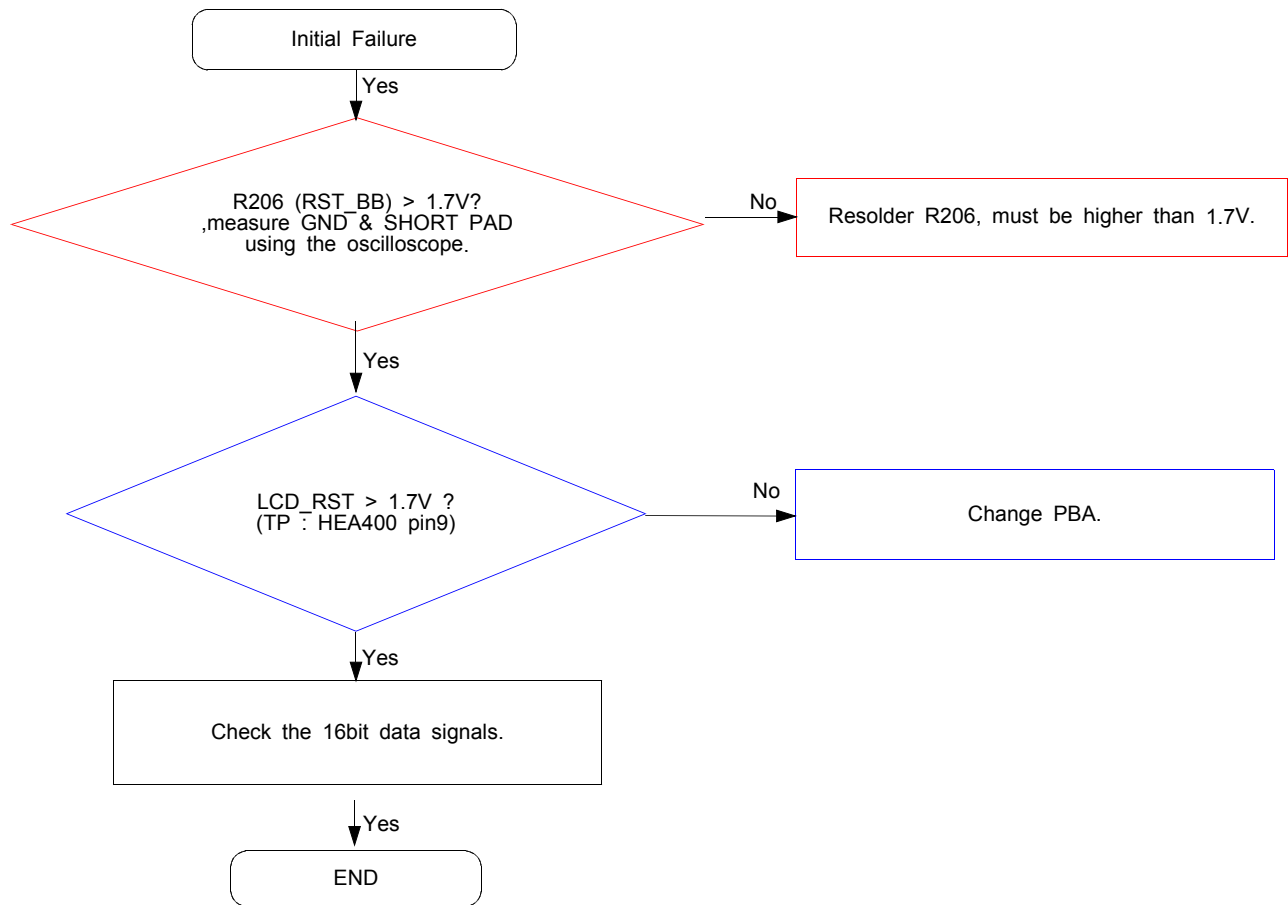
á Soldering iron

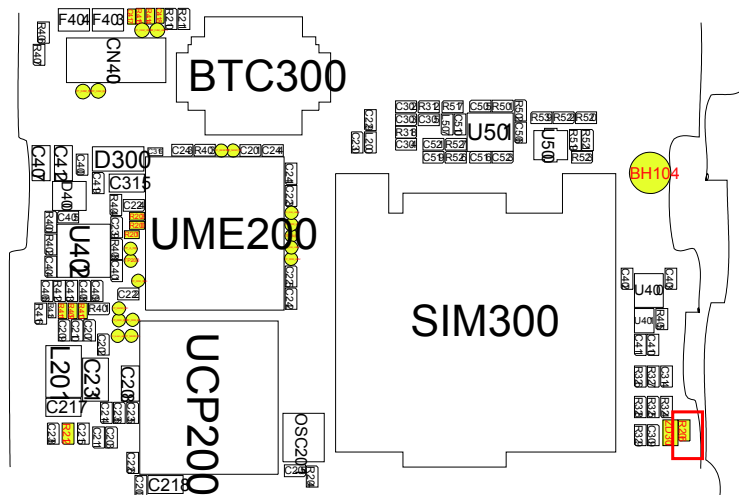
8-3-1. Power On



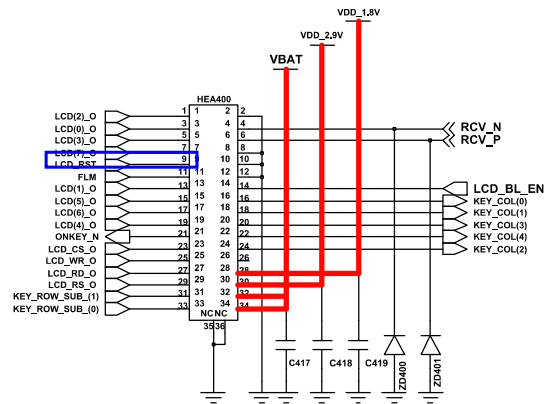
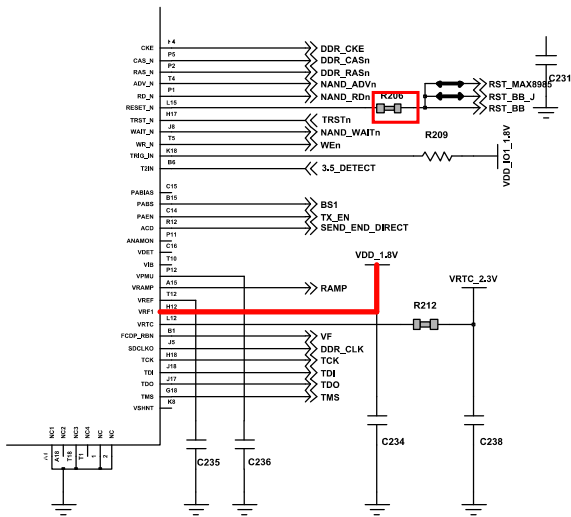
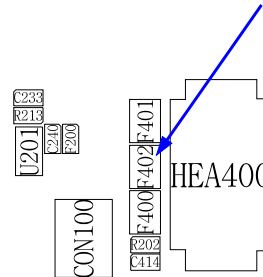


8-3-2. Initial

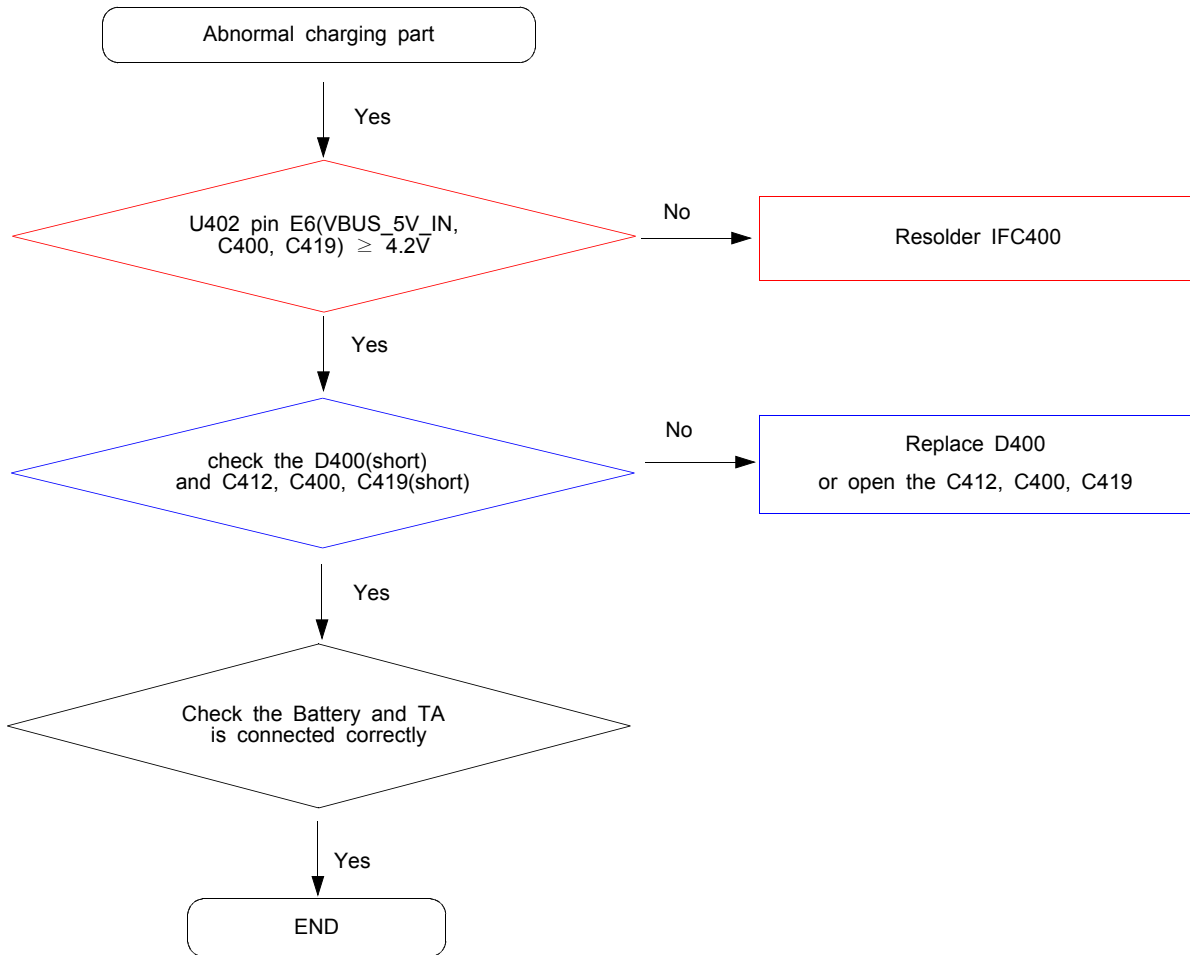


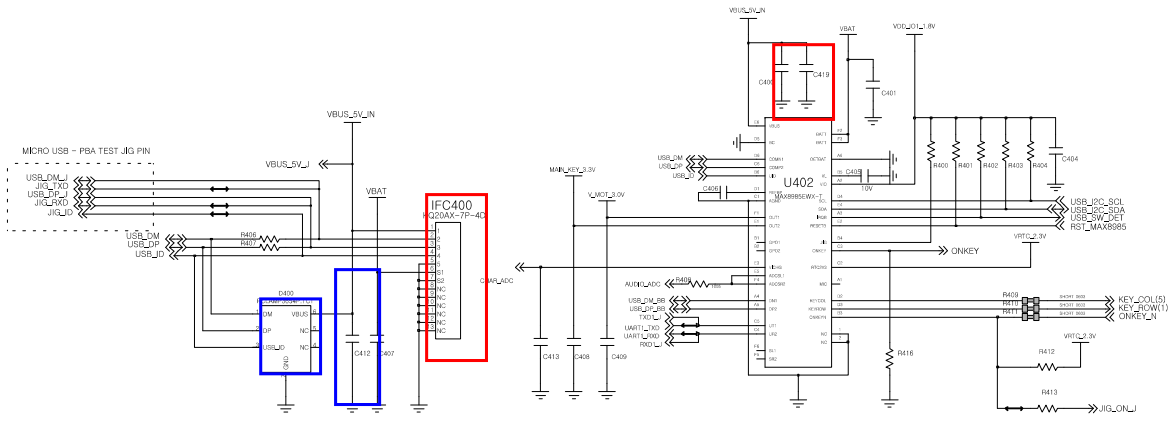
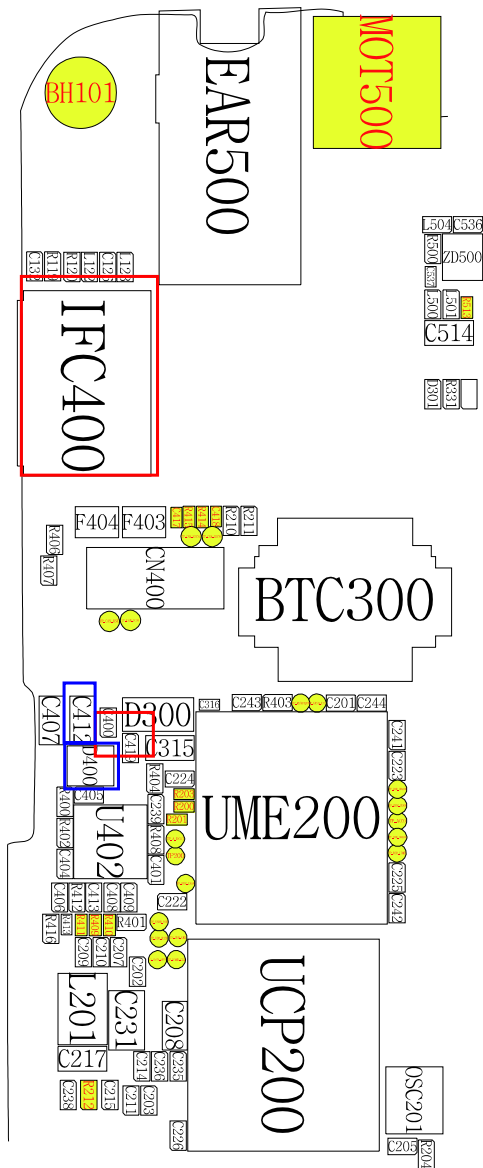


the 5th pin from the the top of left pin.

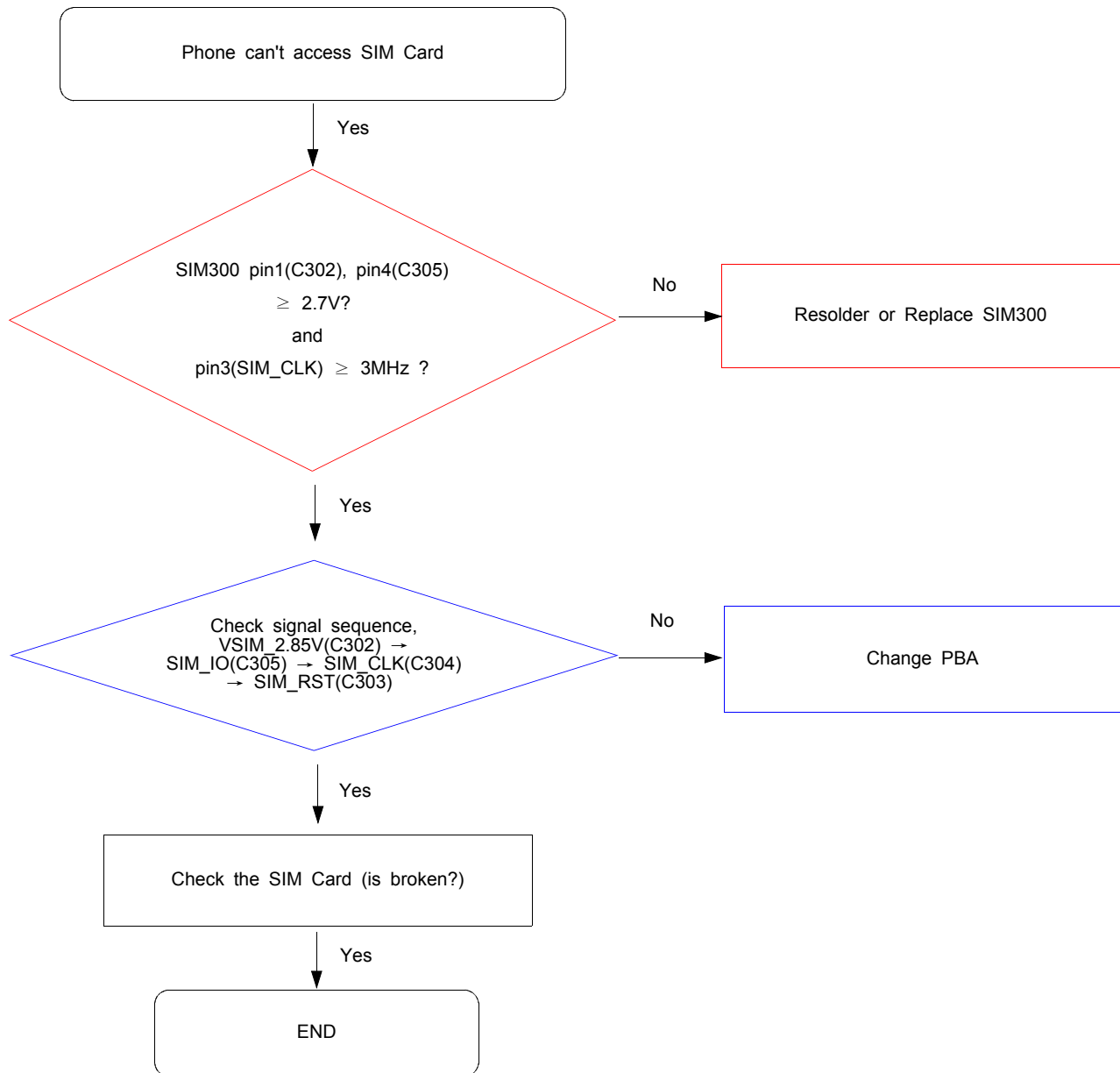


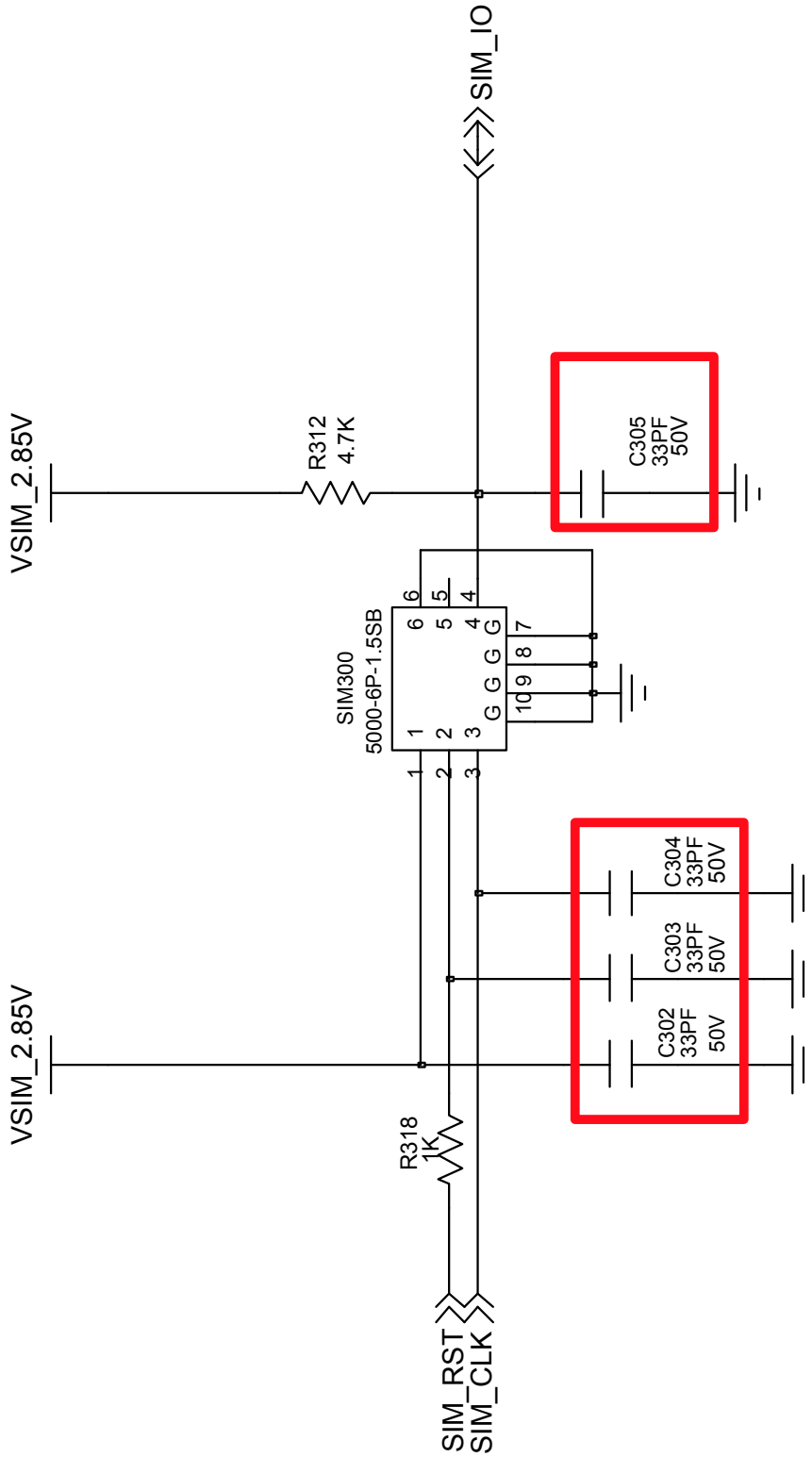
8-3-3. Charging Part

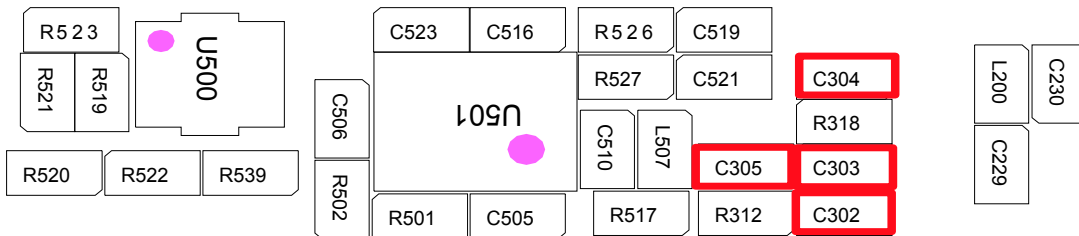
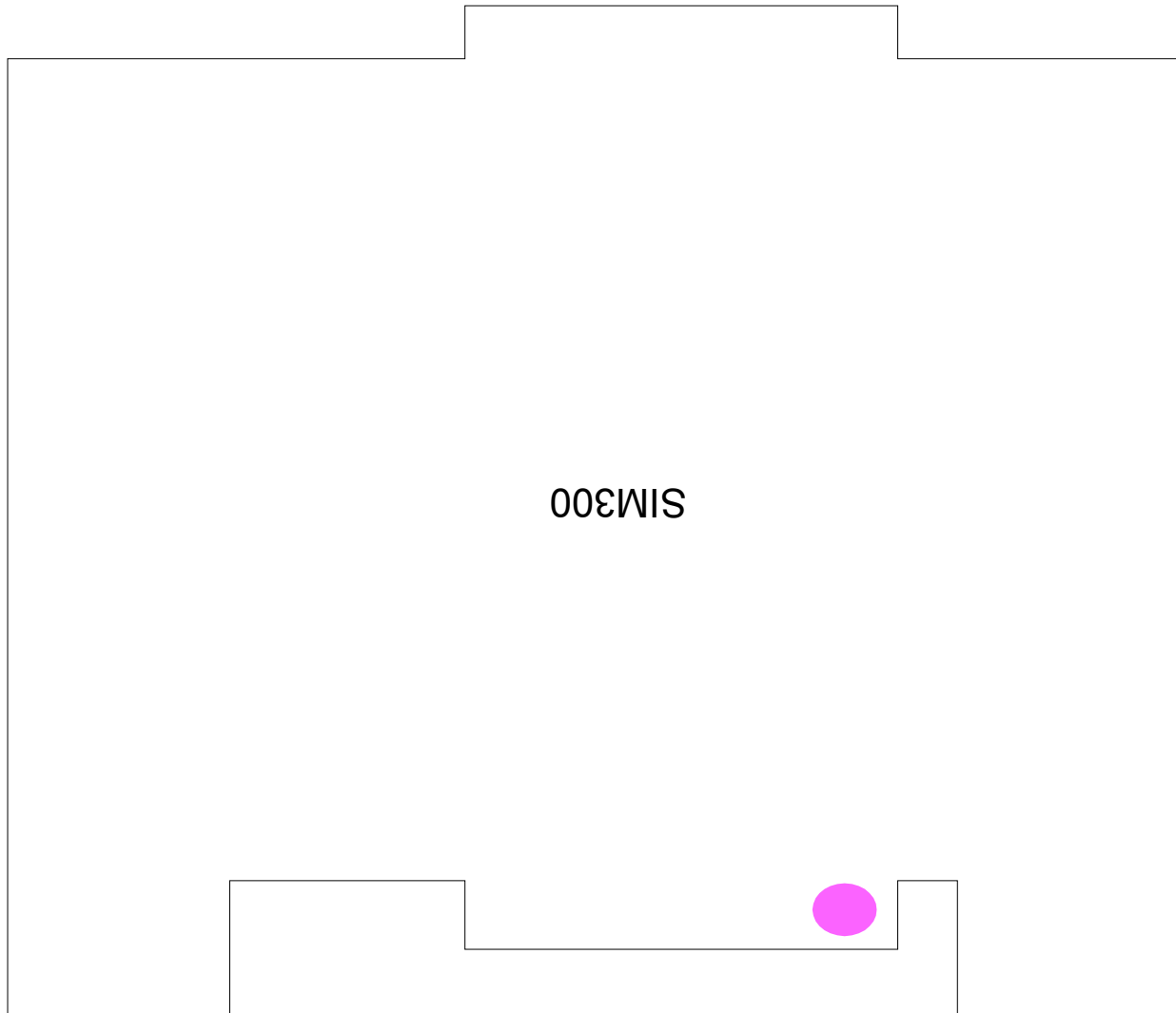




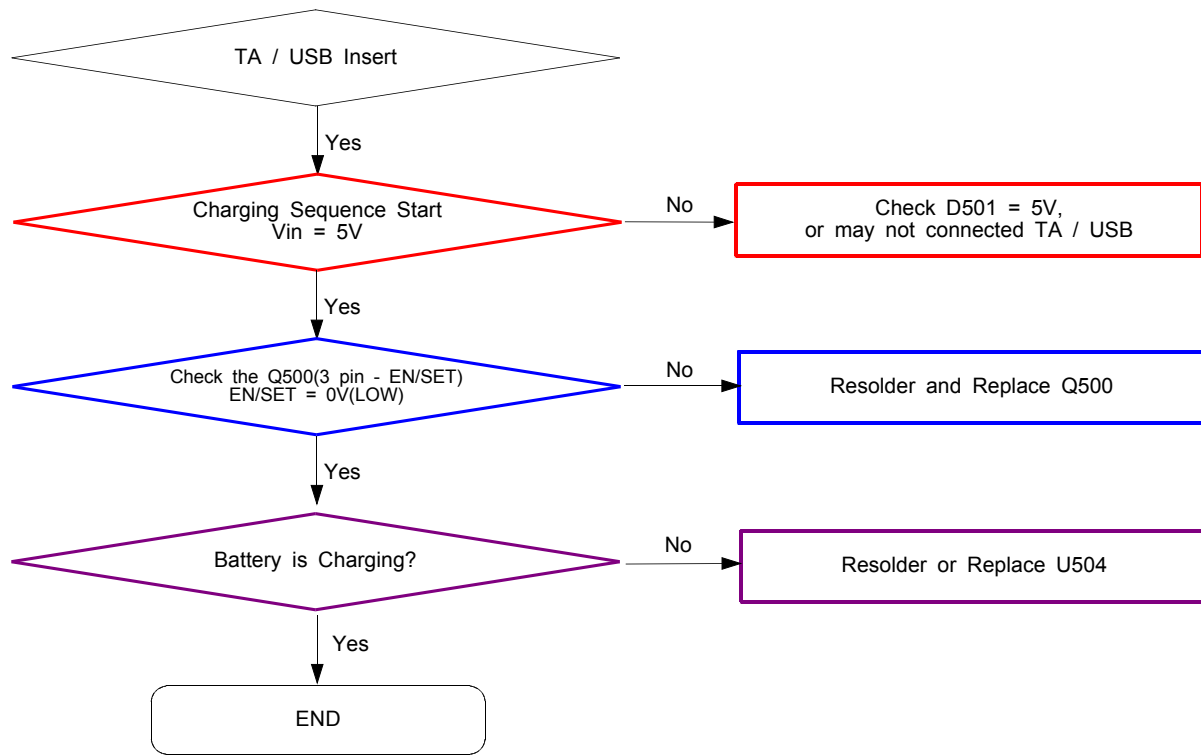
8-3-4. Sim Part

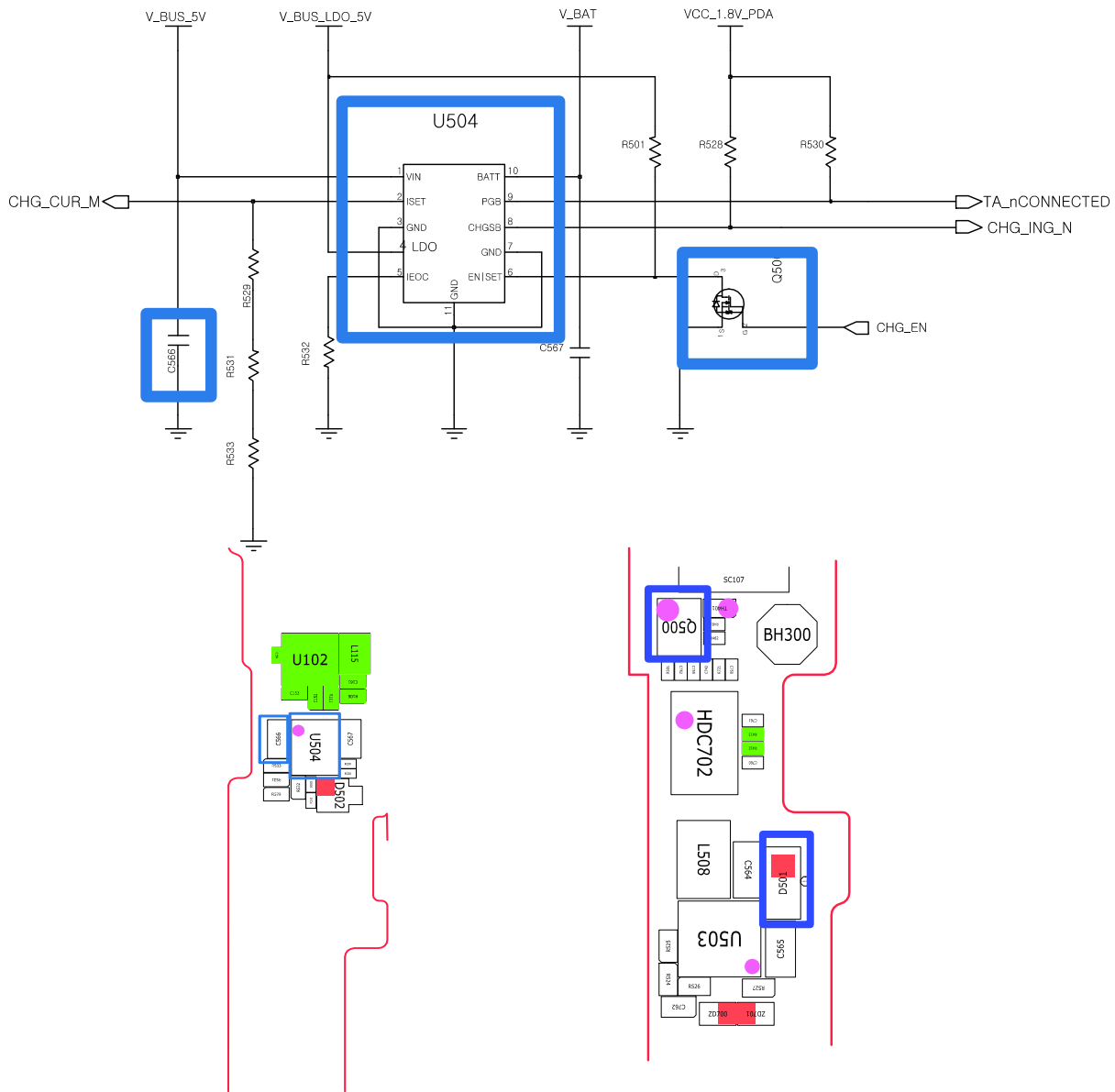




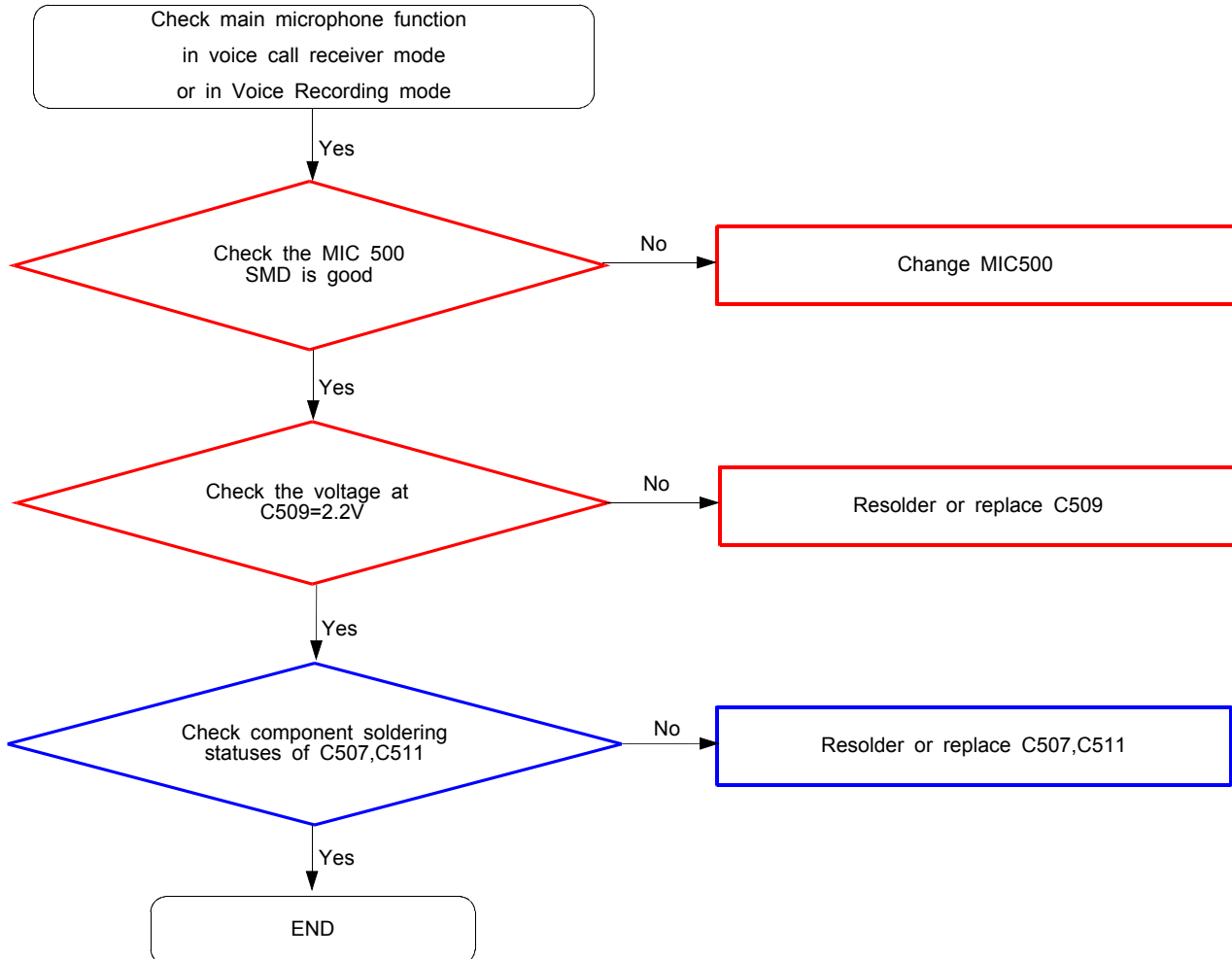


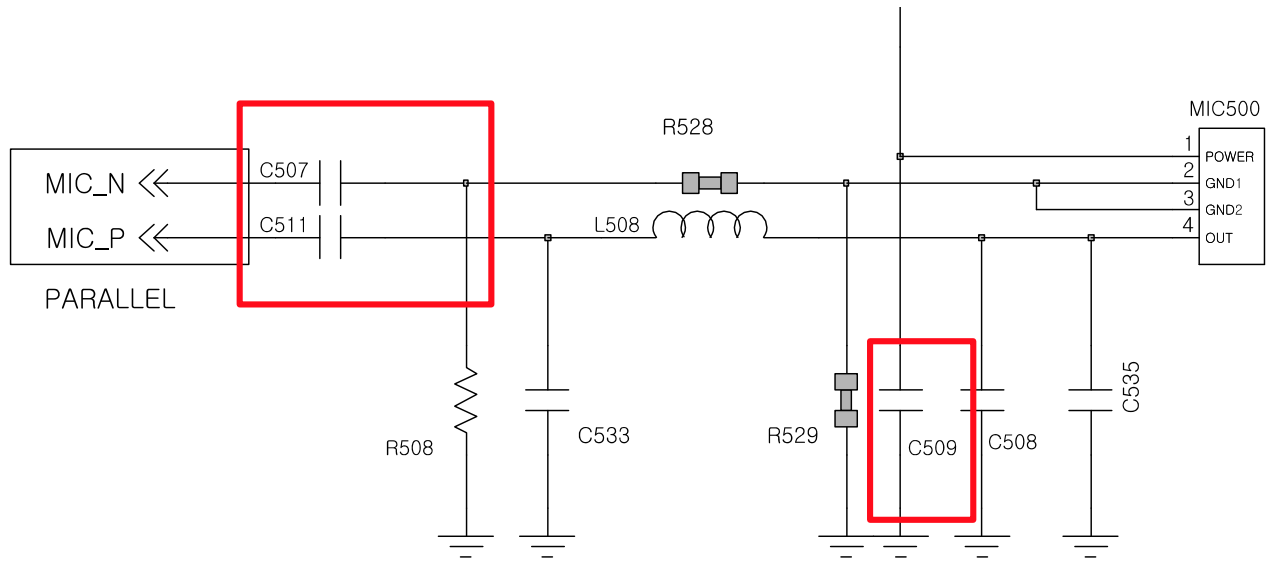
8-3-5. Charging Part



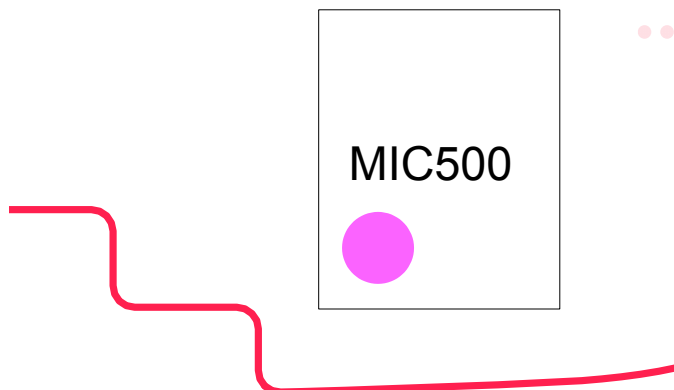


8-3-6. Microphone Part (Main MIC)

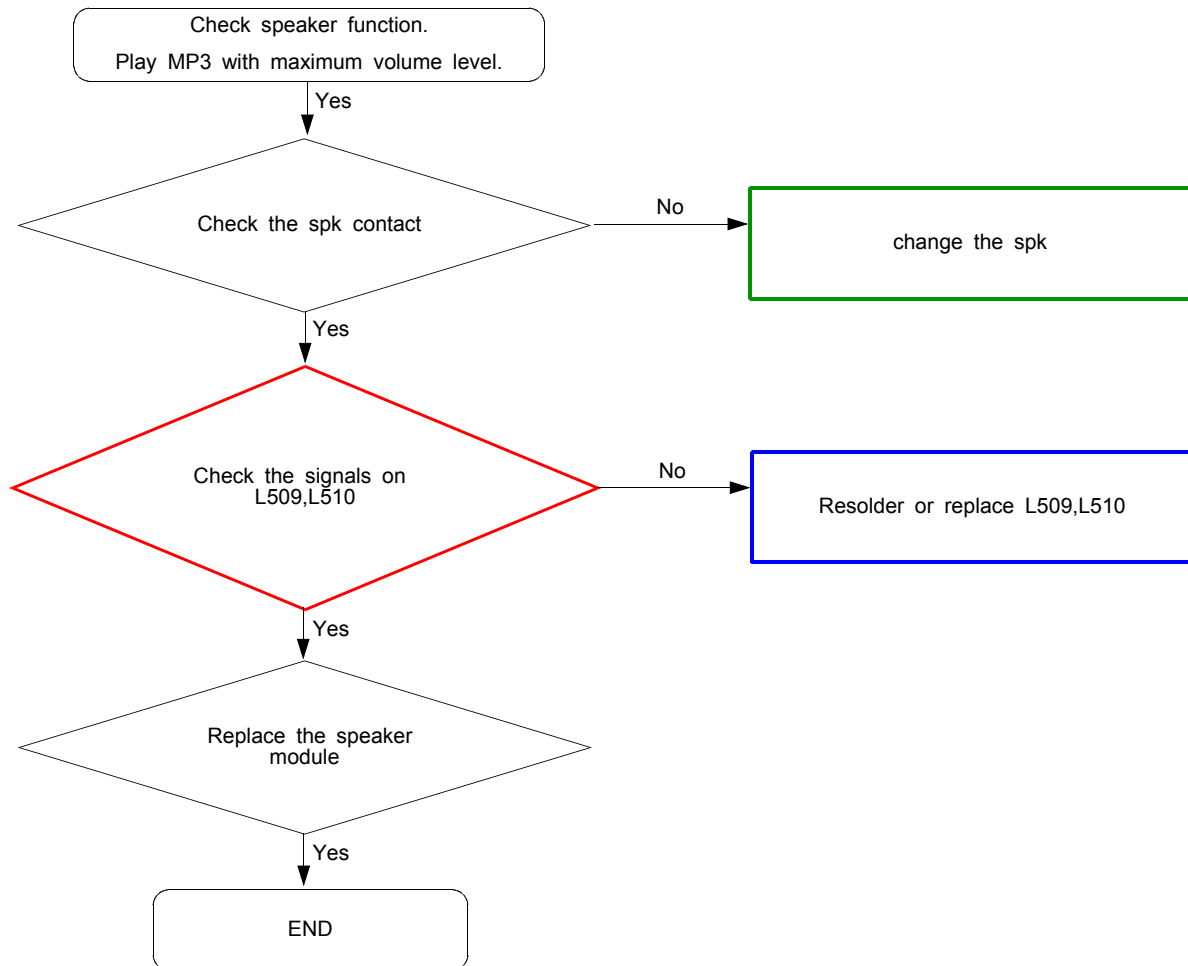


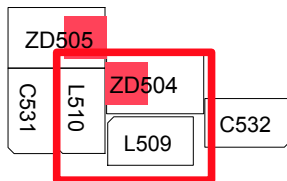
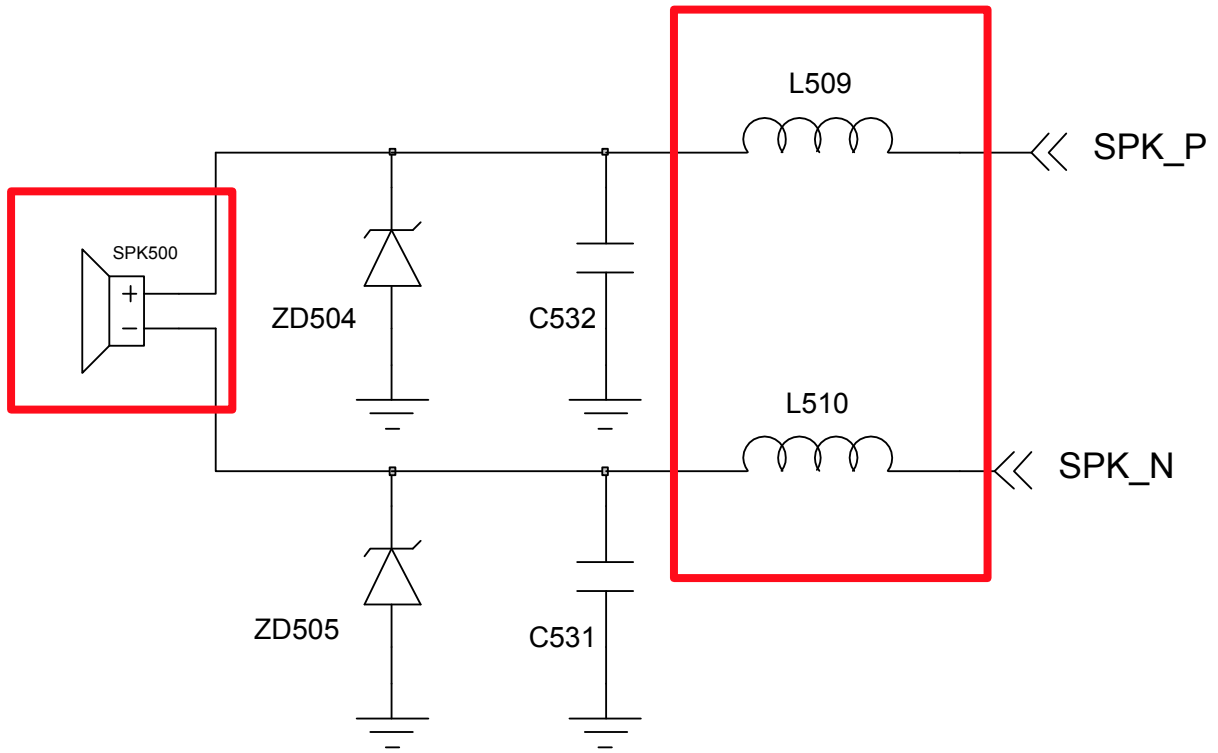


C533	L508	C508	C535	R529	R528	L506	C509
------	------	------	------	------	------	------	------

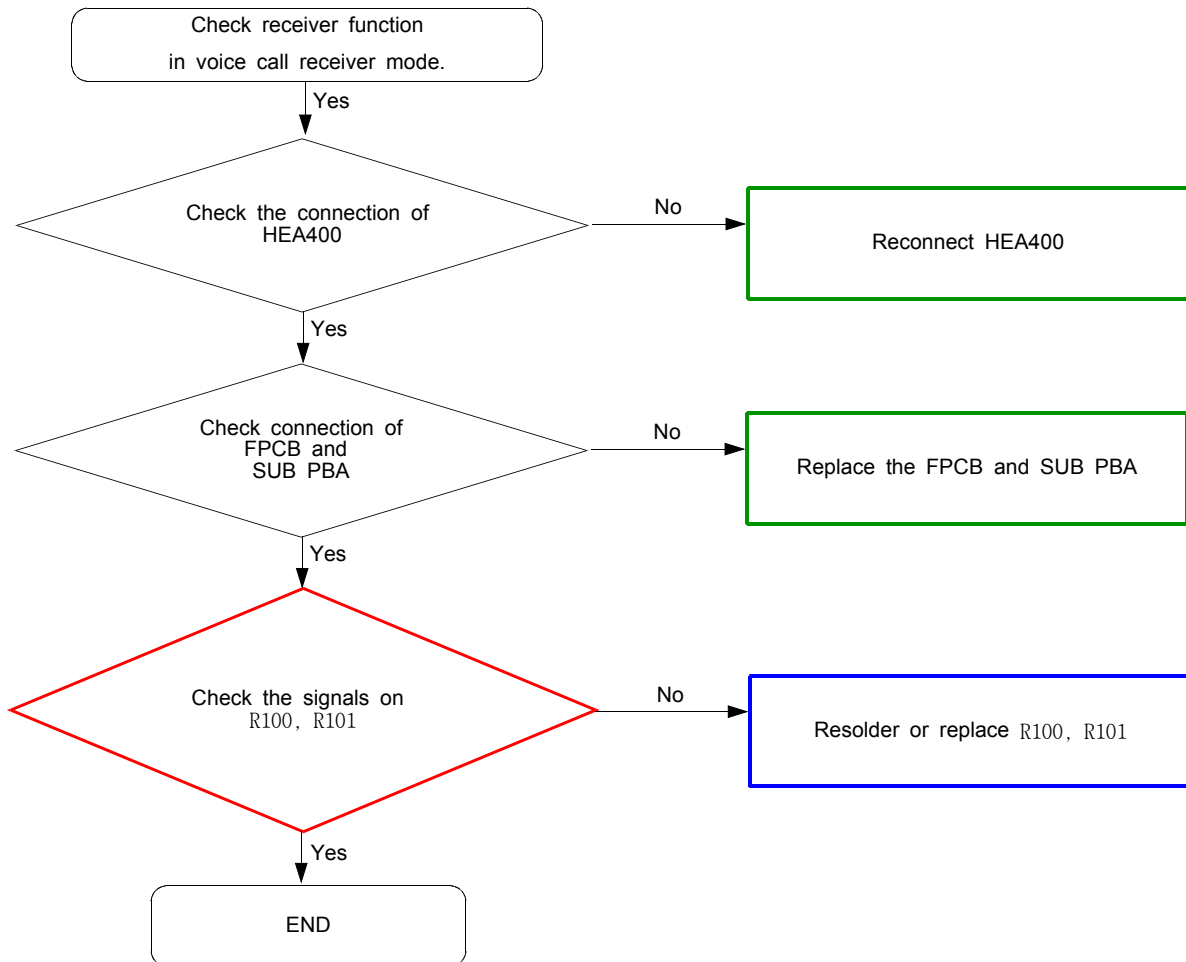


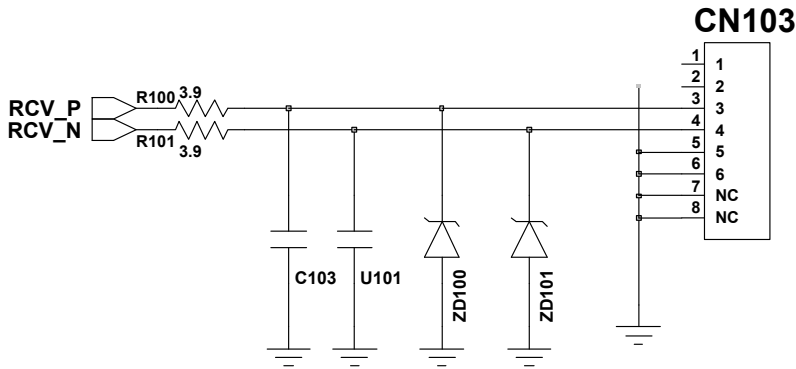
8-3-7. Speaker Part



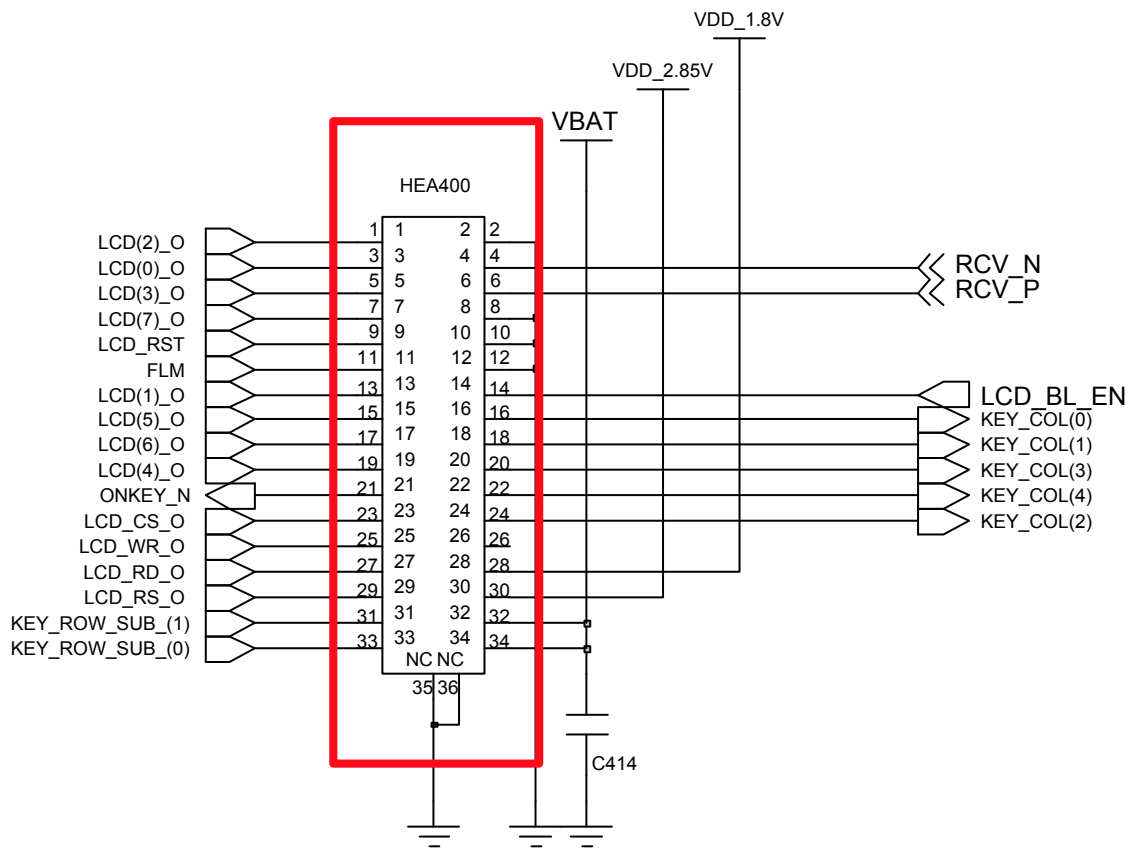


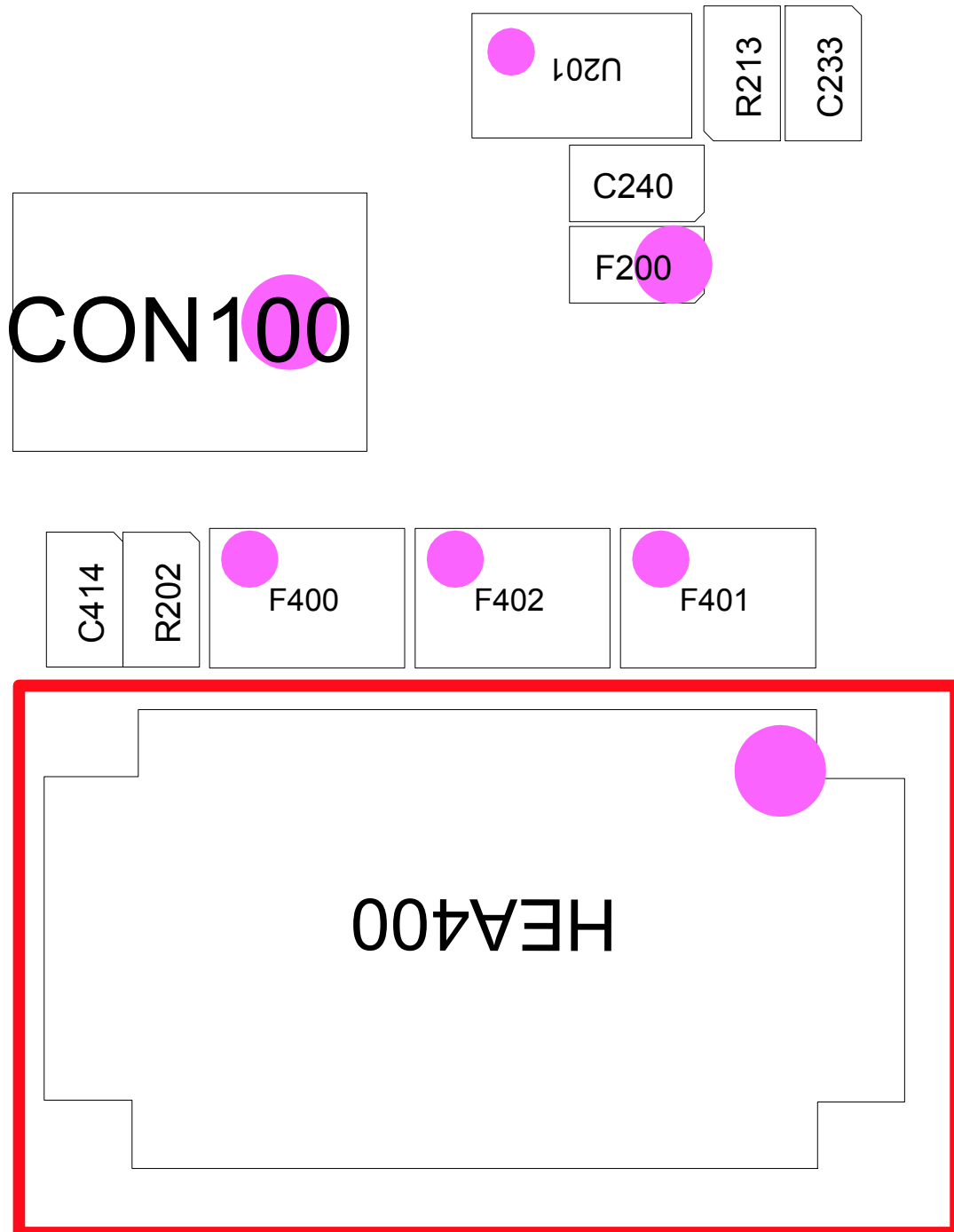
8-3-7. Receiver Part



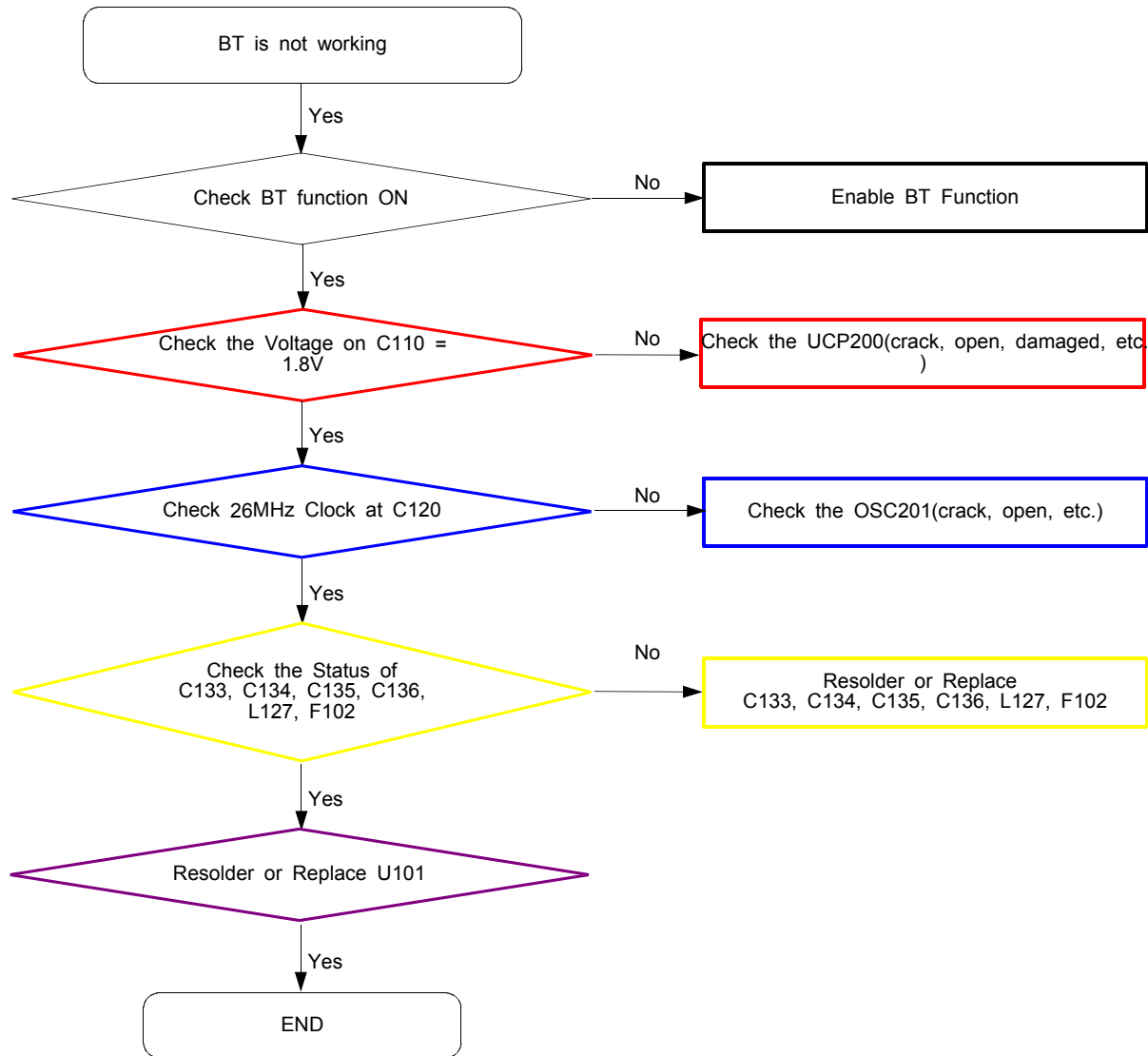


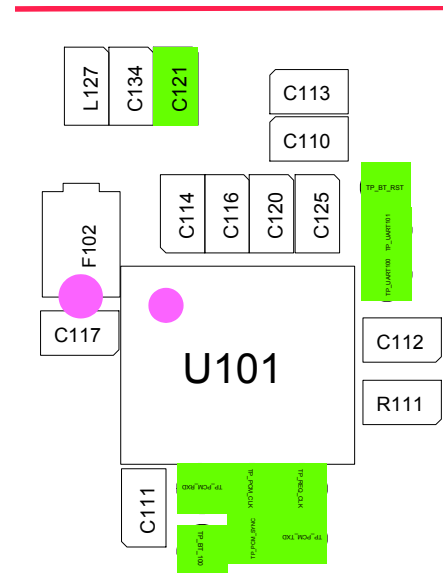
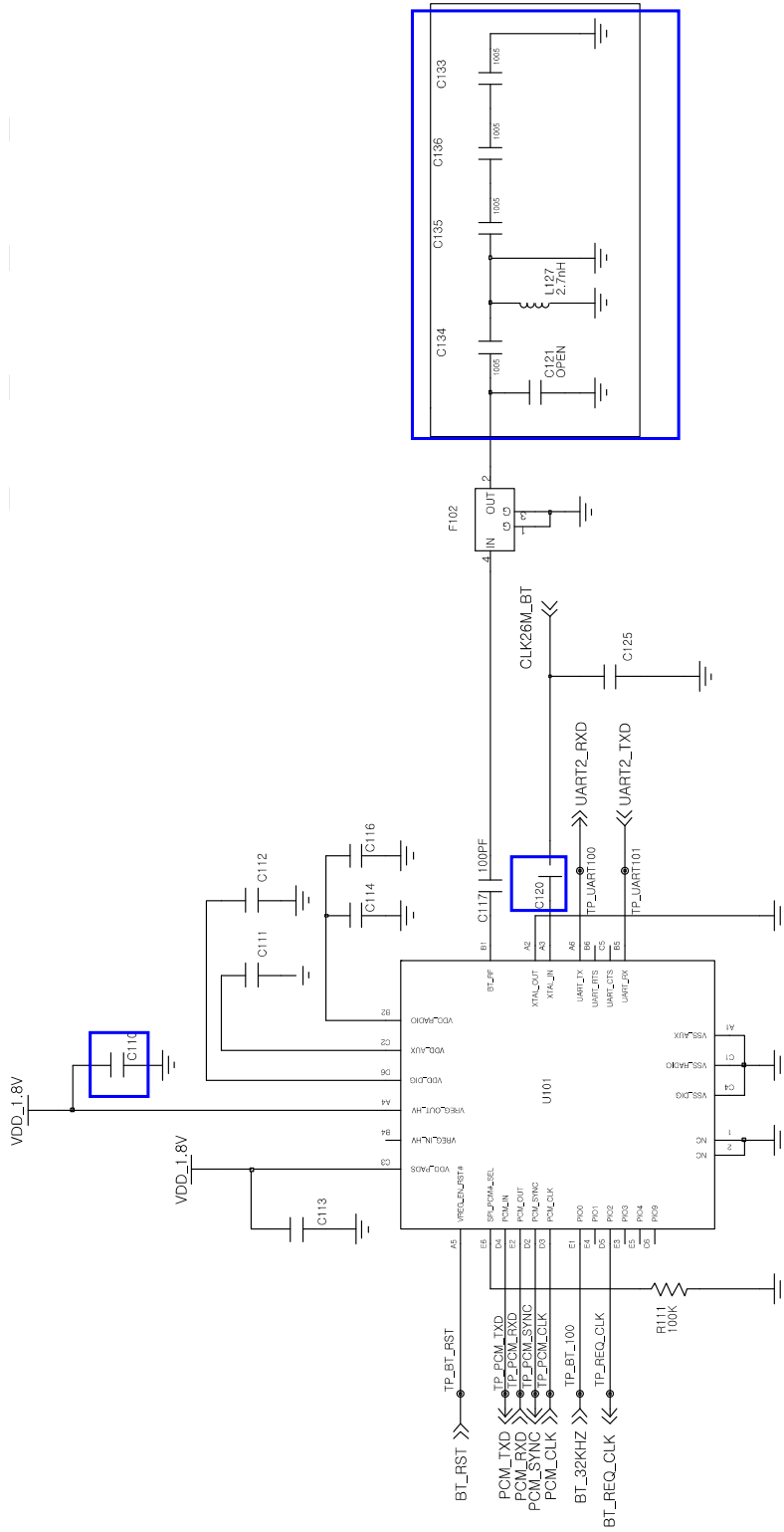
RCV +/-



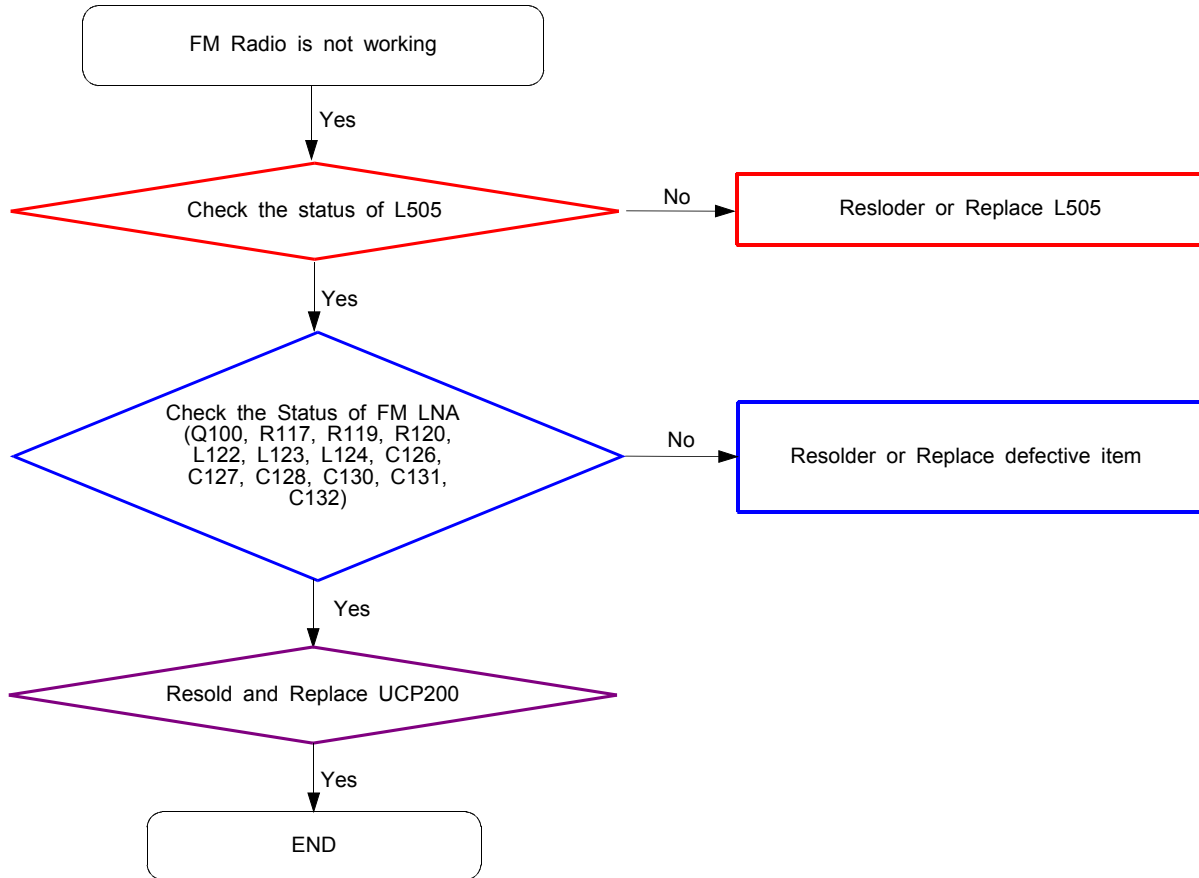


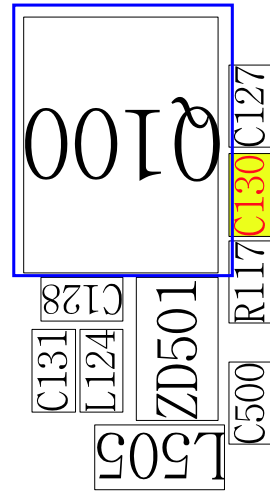
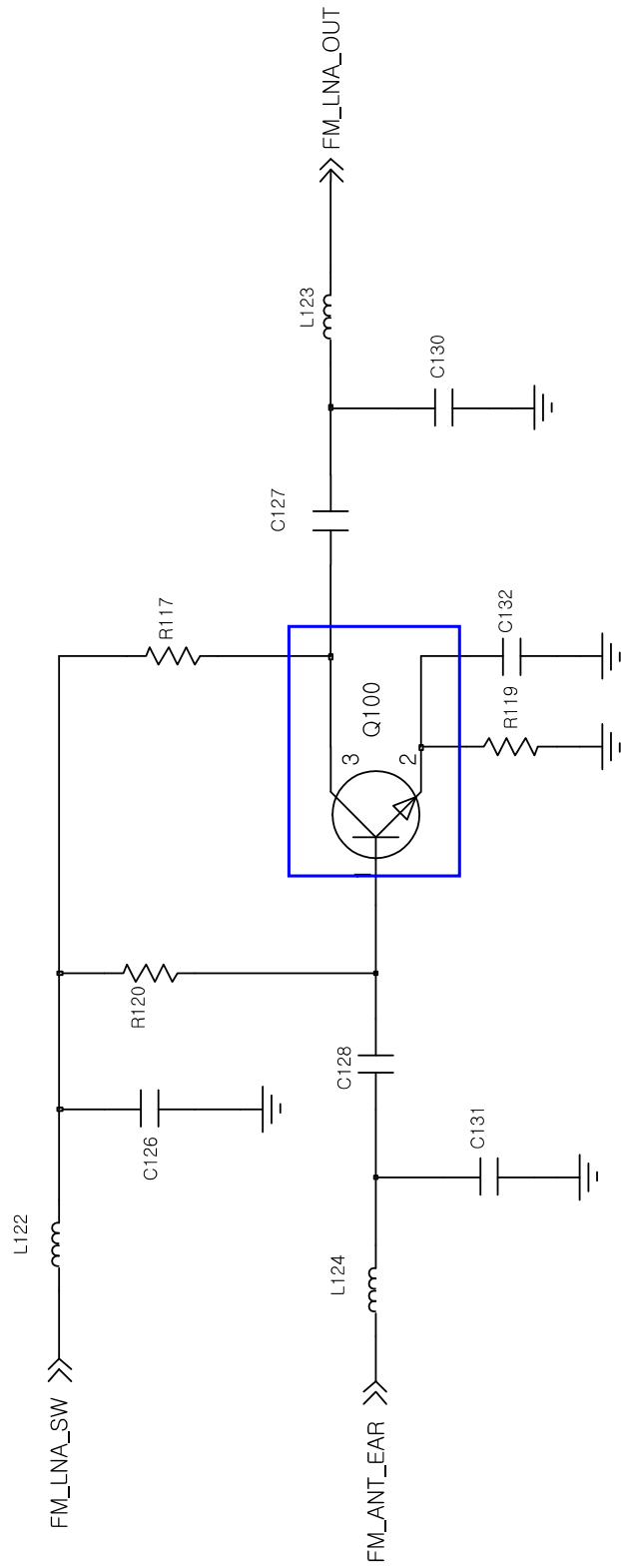
8-3-8. BT



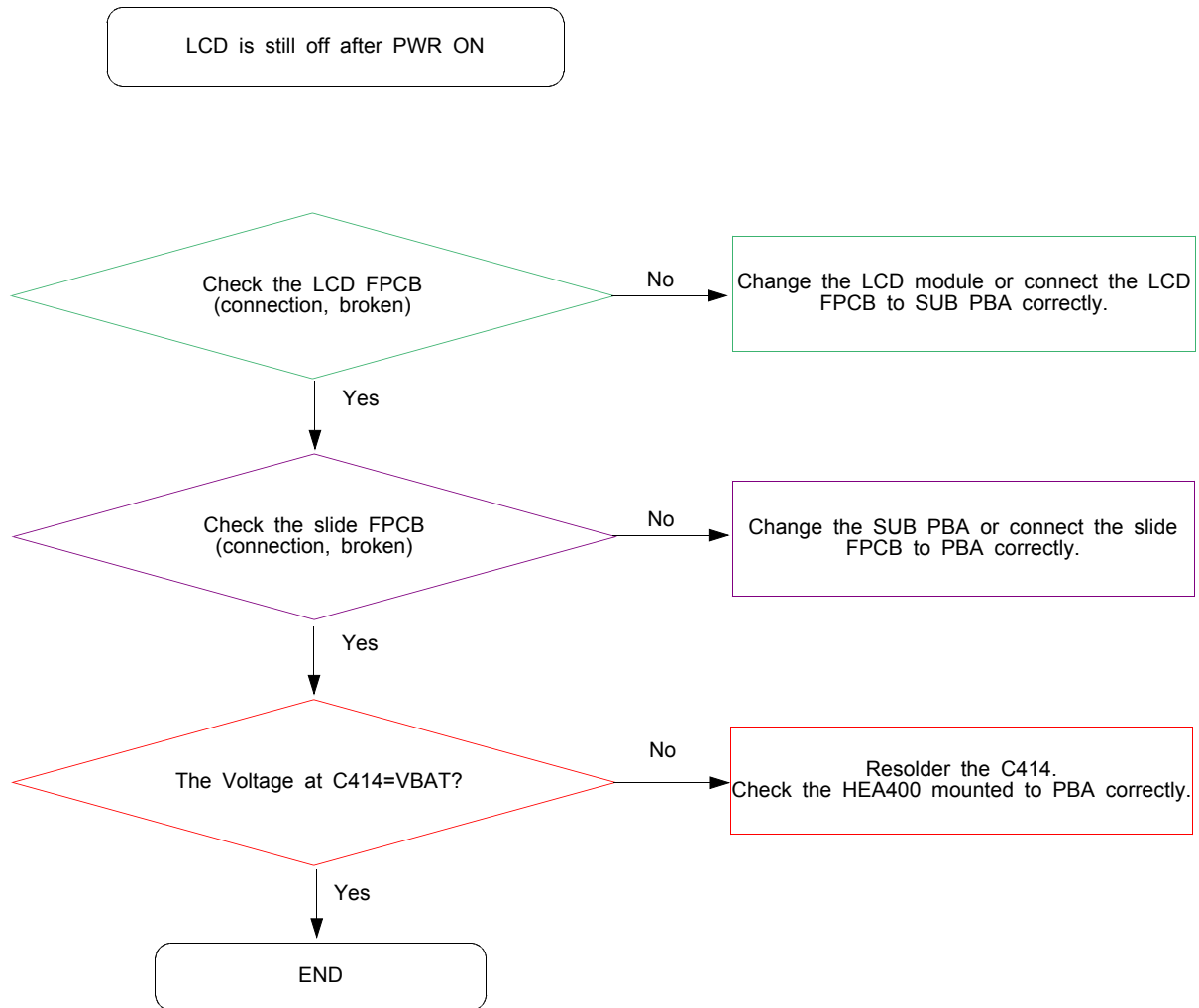


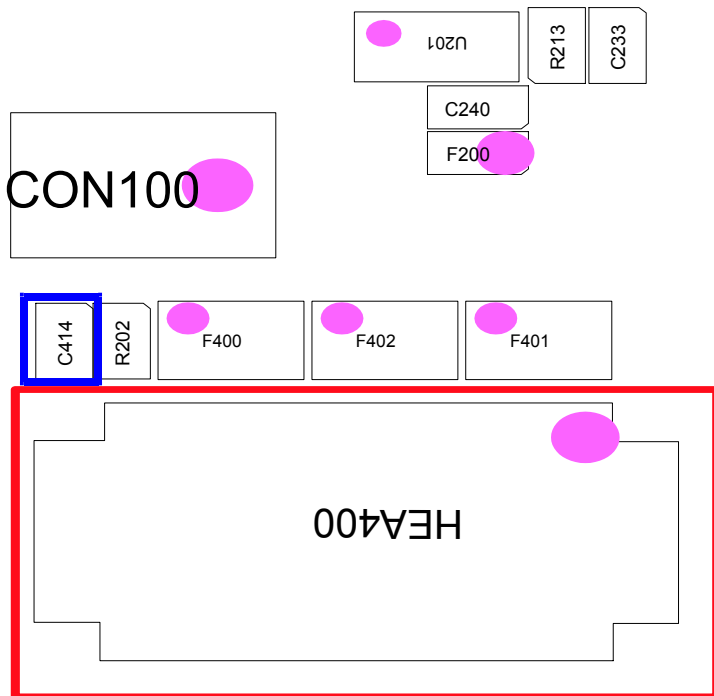
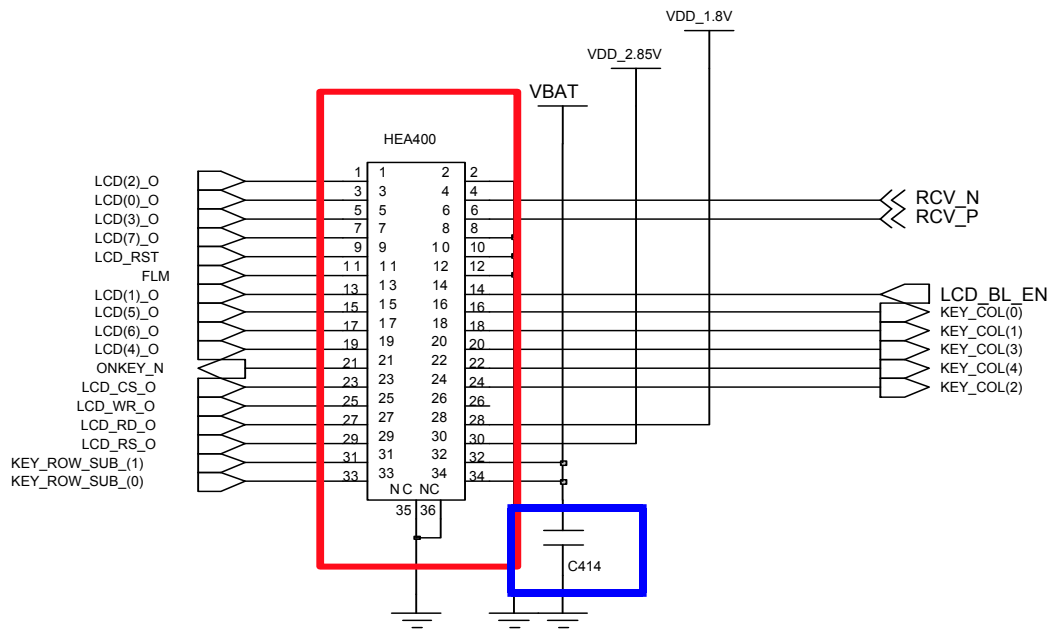
8-3-9. FM RADIO



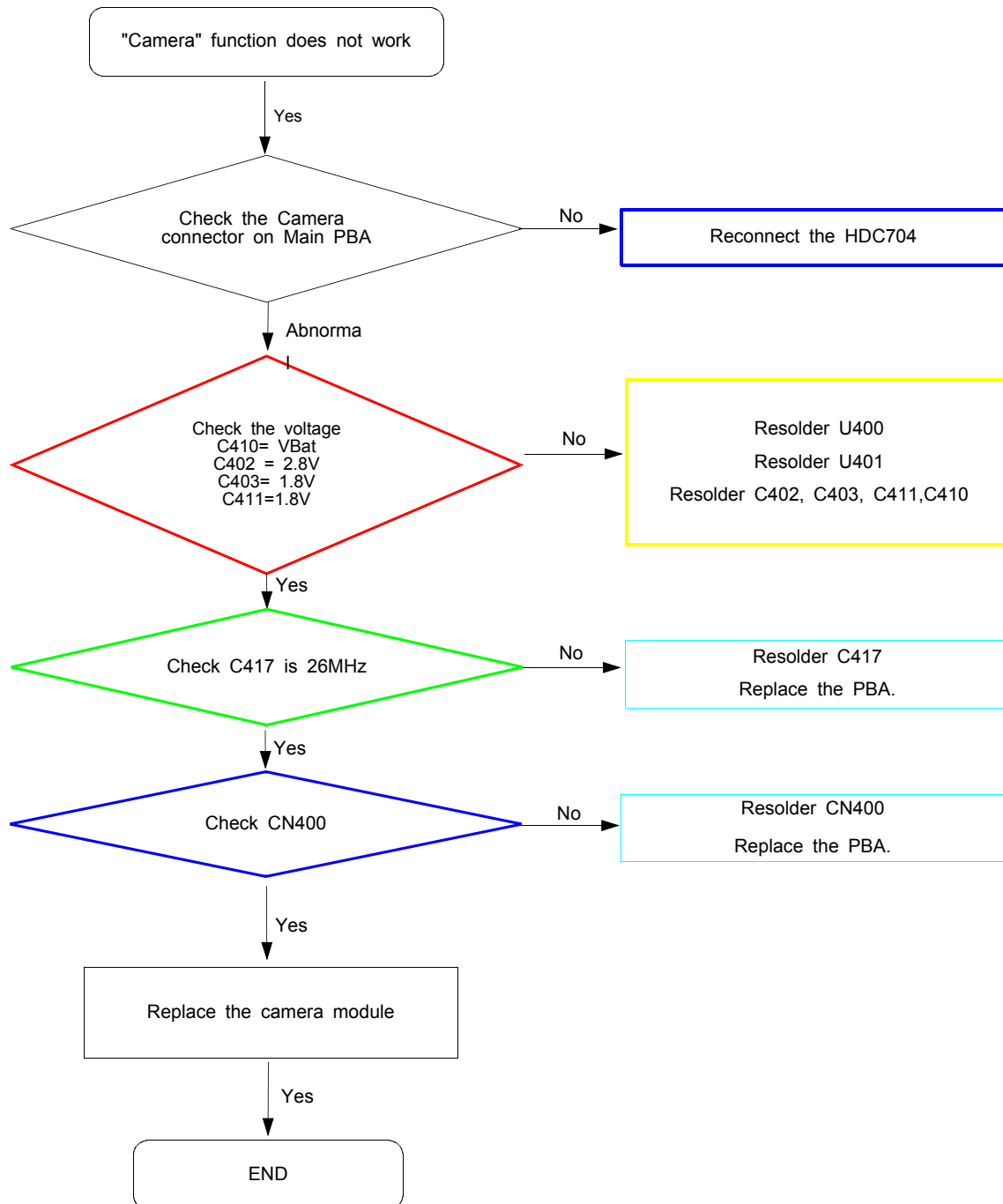


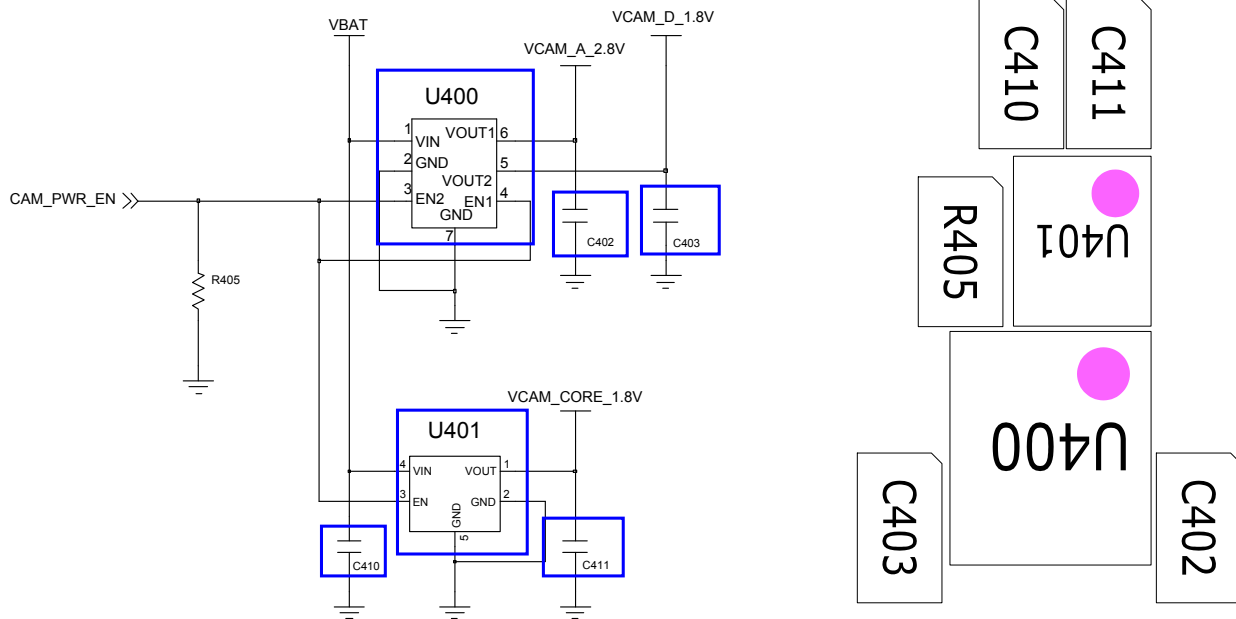
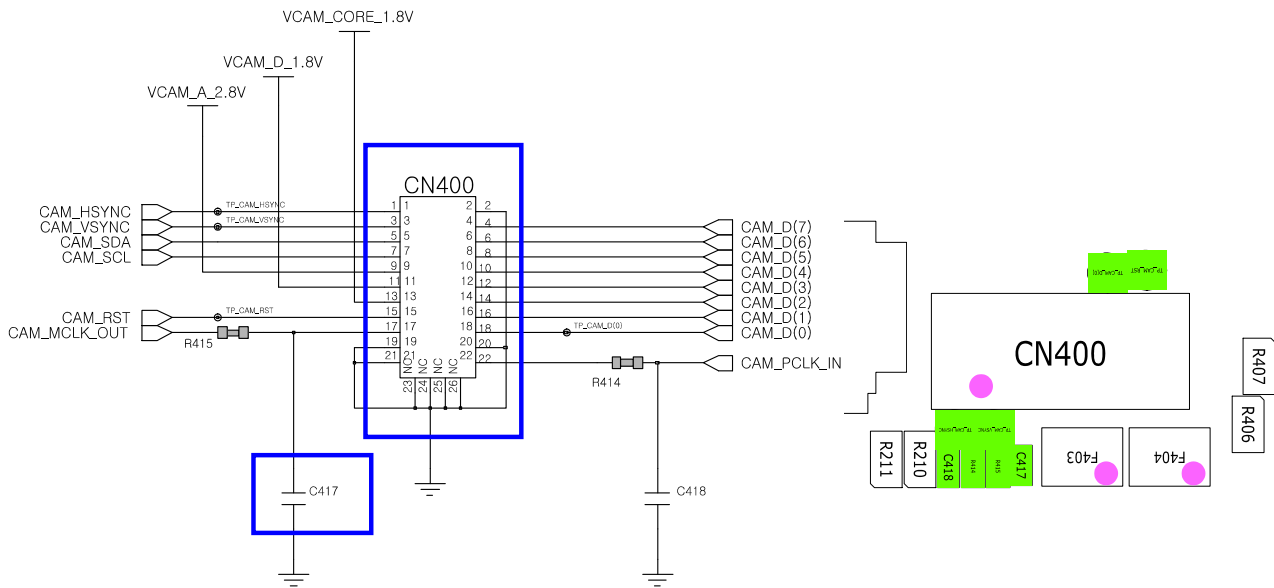
8-3-10. LCD



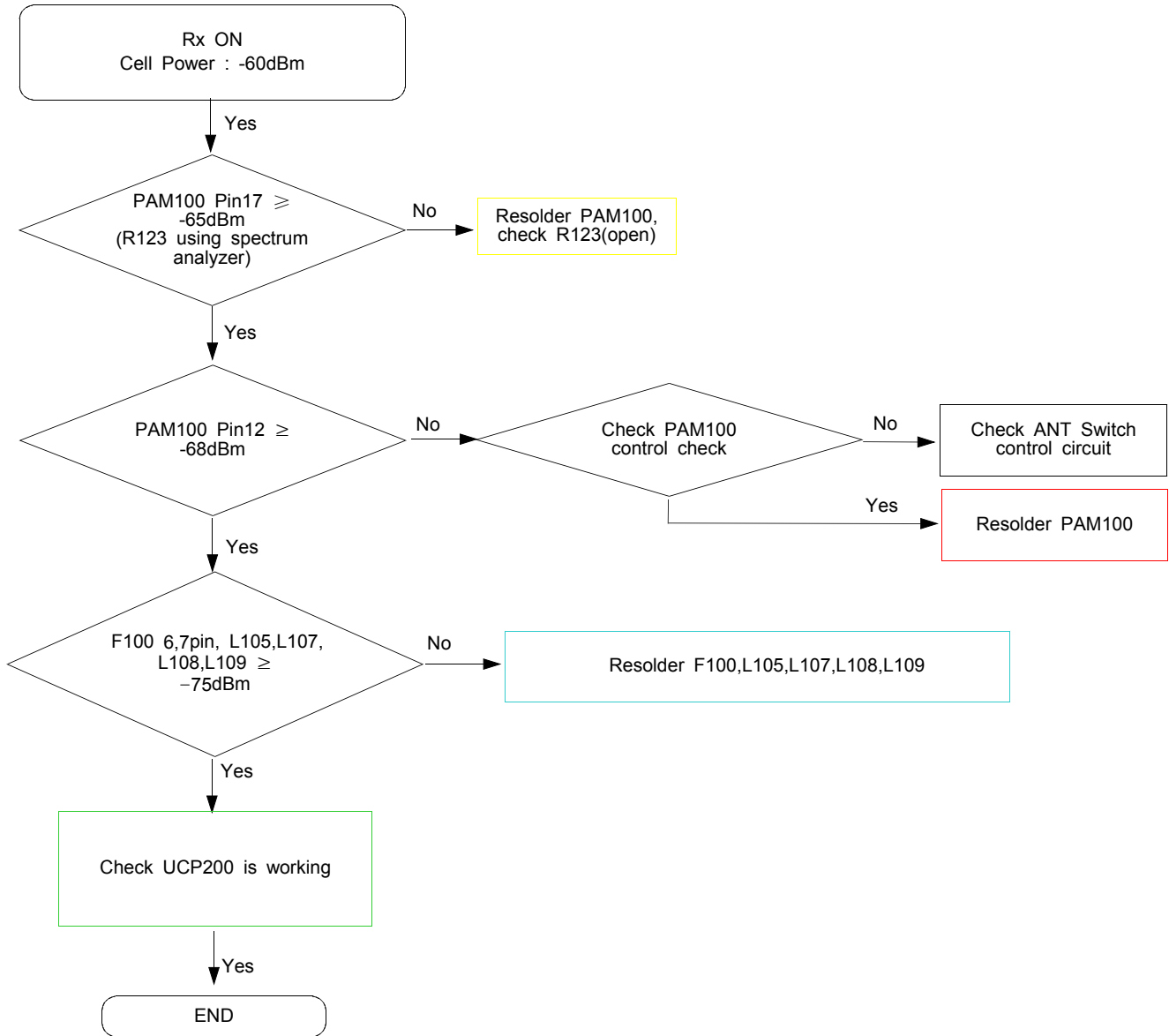


8-3-11. 2M CAM

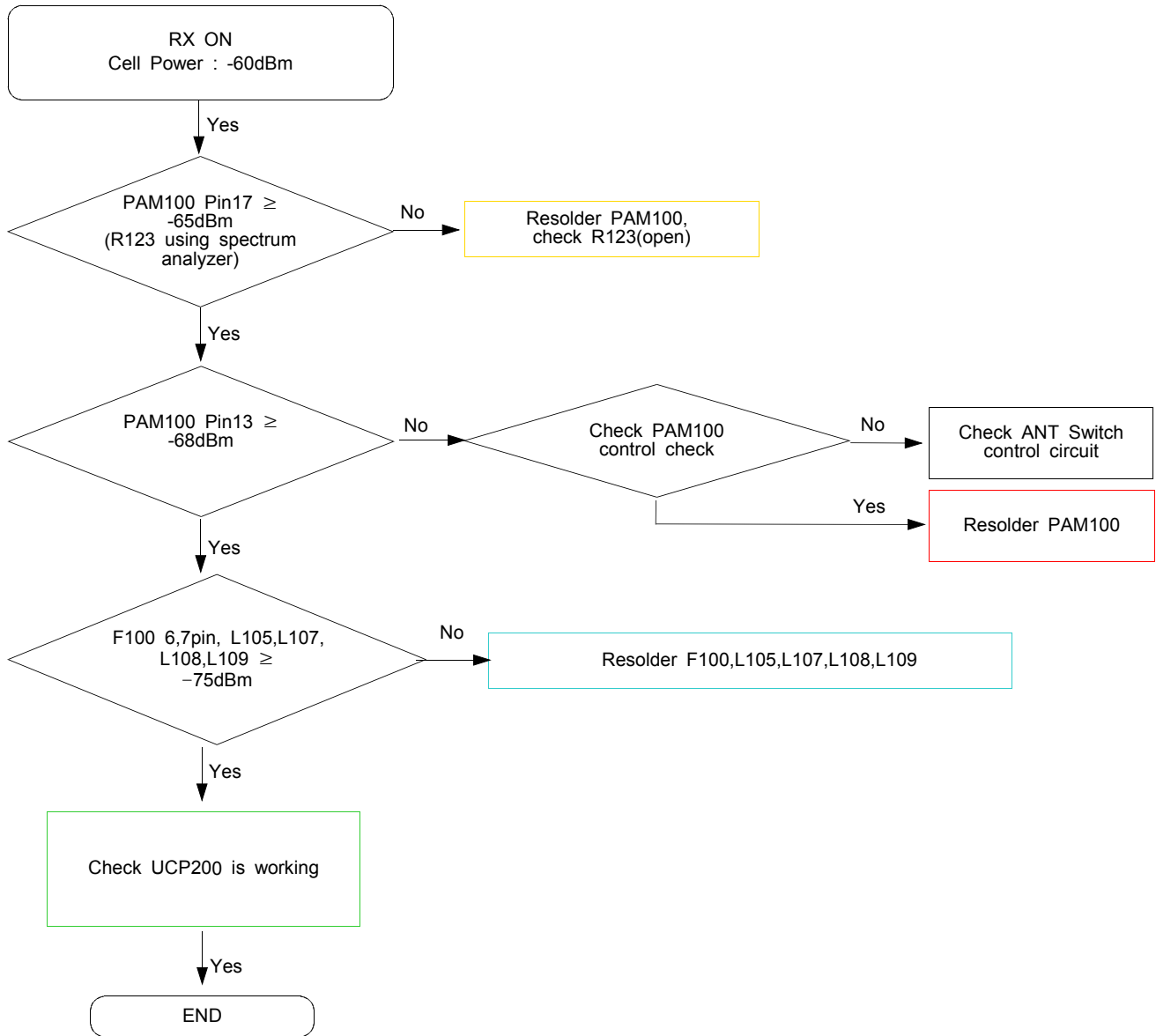




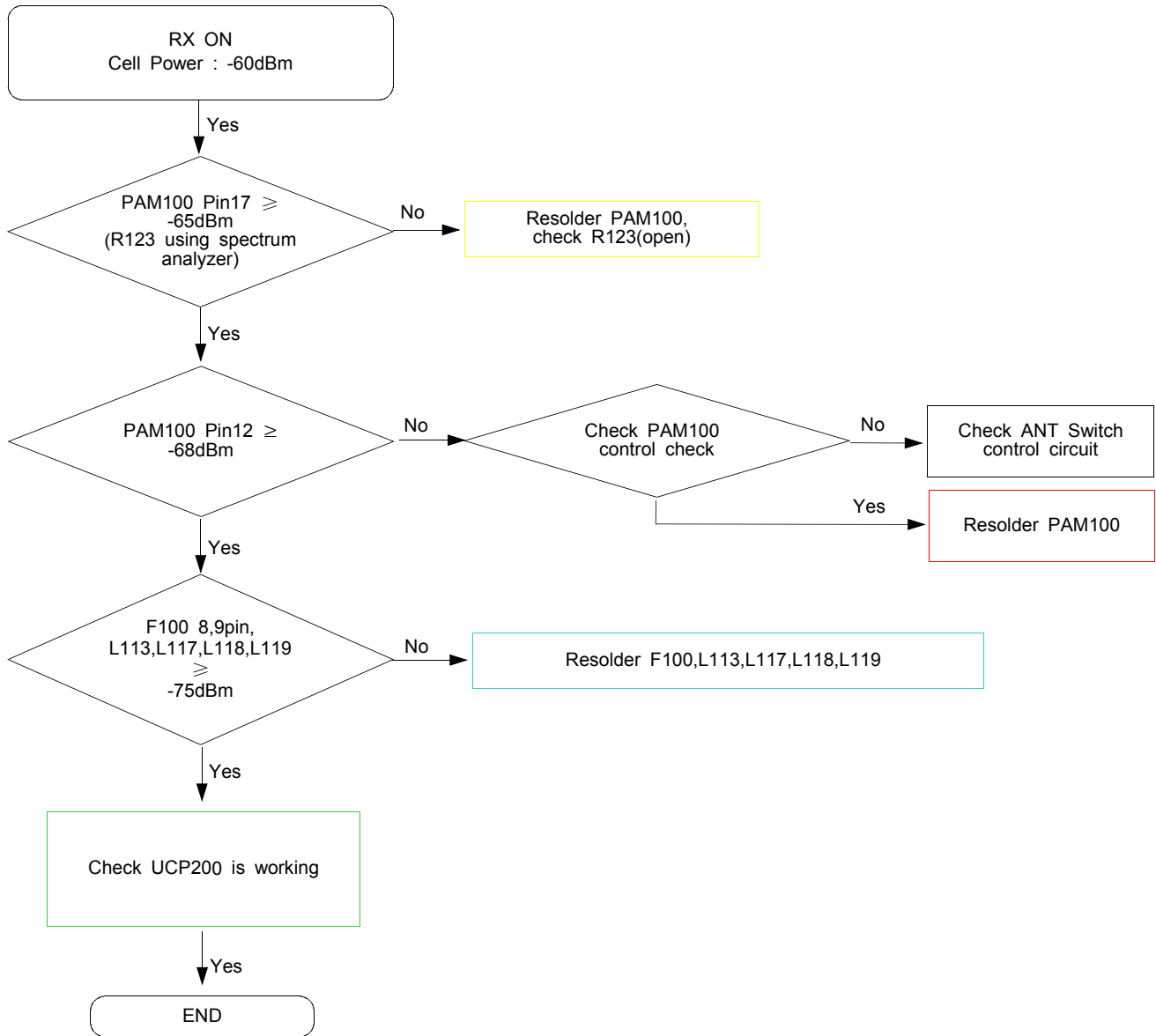
8-3-12. GSM850 Rx



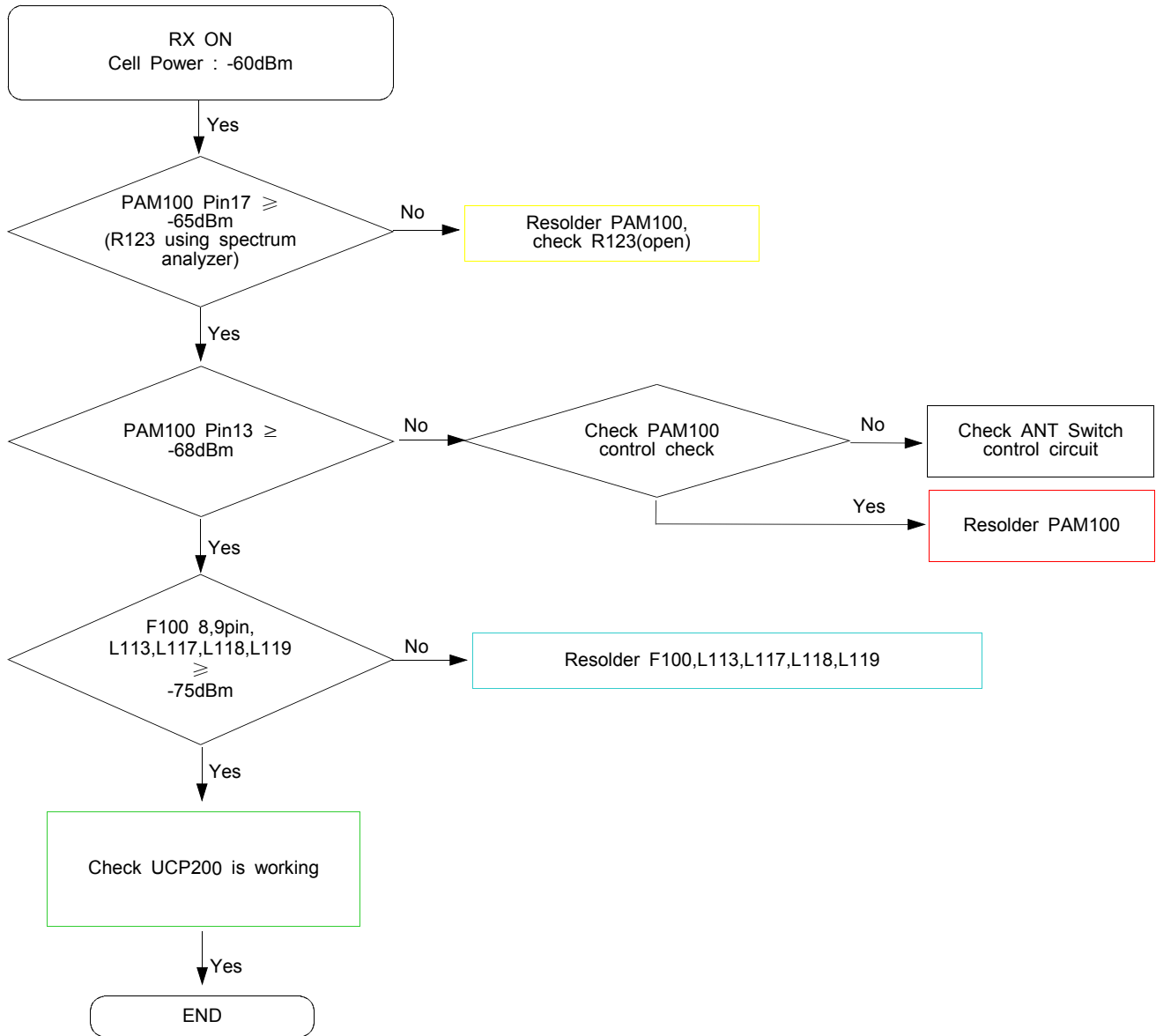
8-3-13. GSM900 Rx

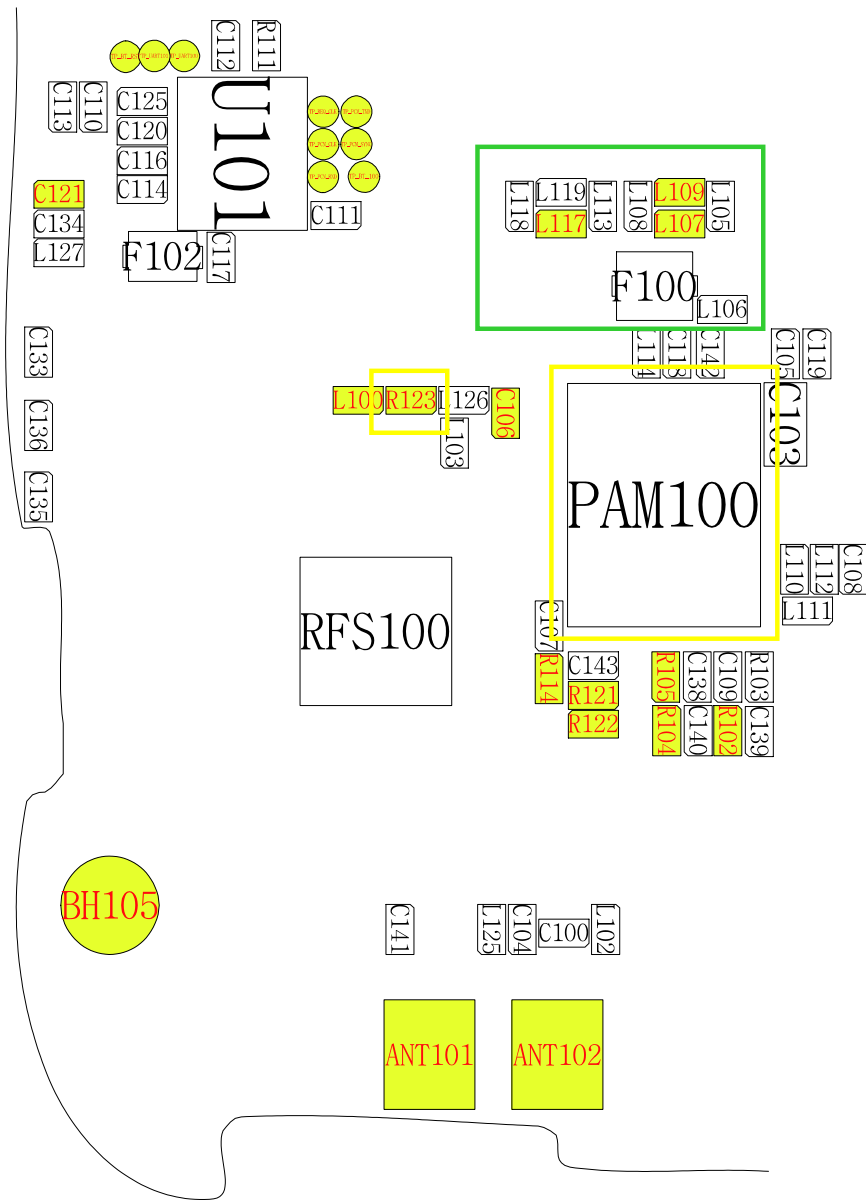


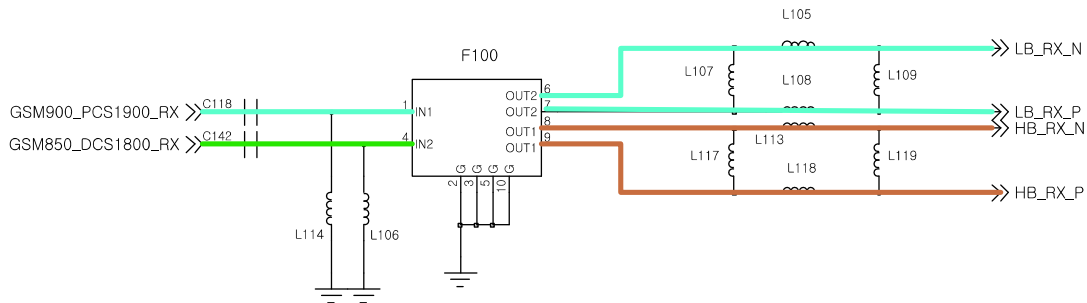
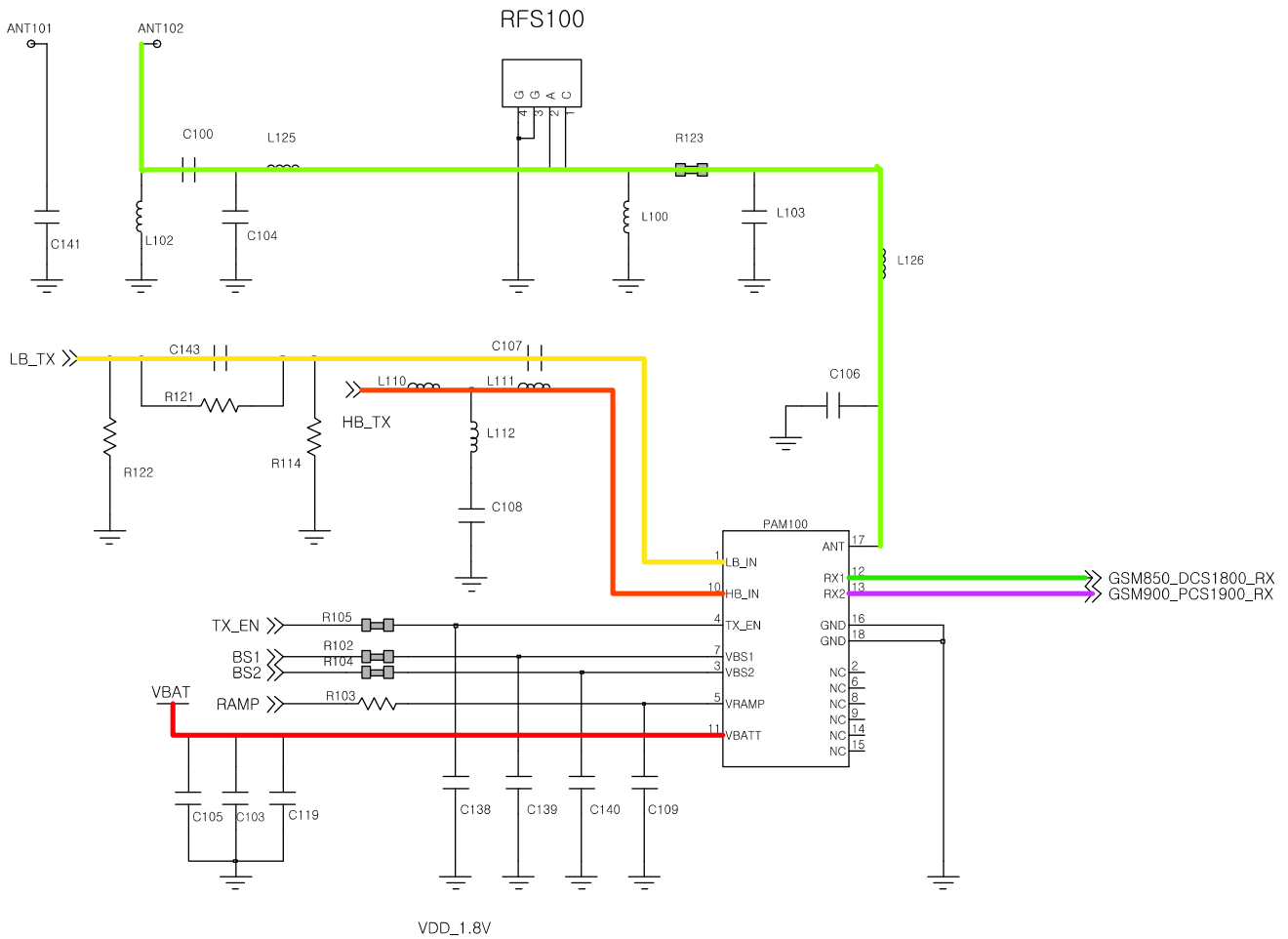
8-3-14. DCS Rx



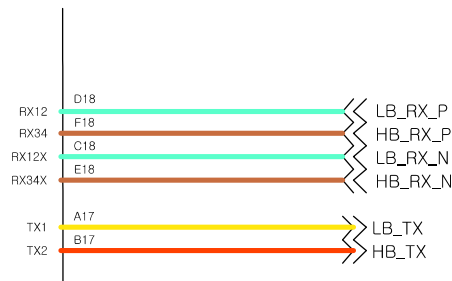
8-3-15. PCS Rx



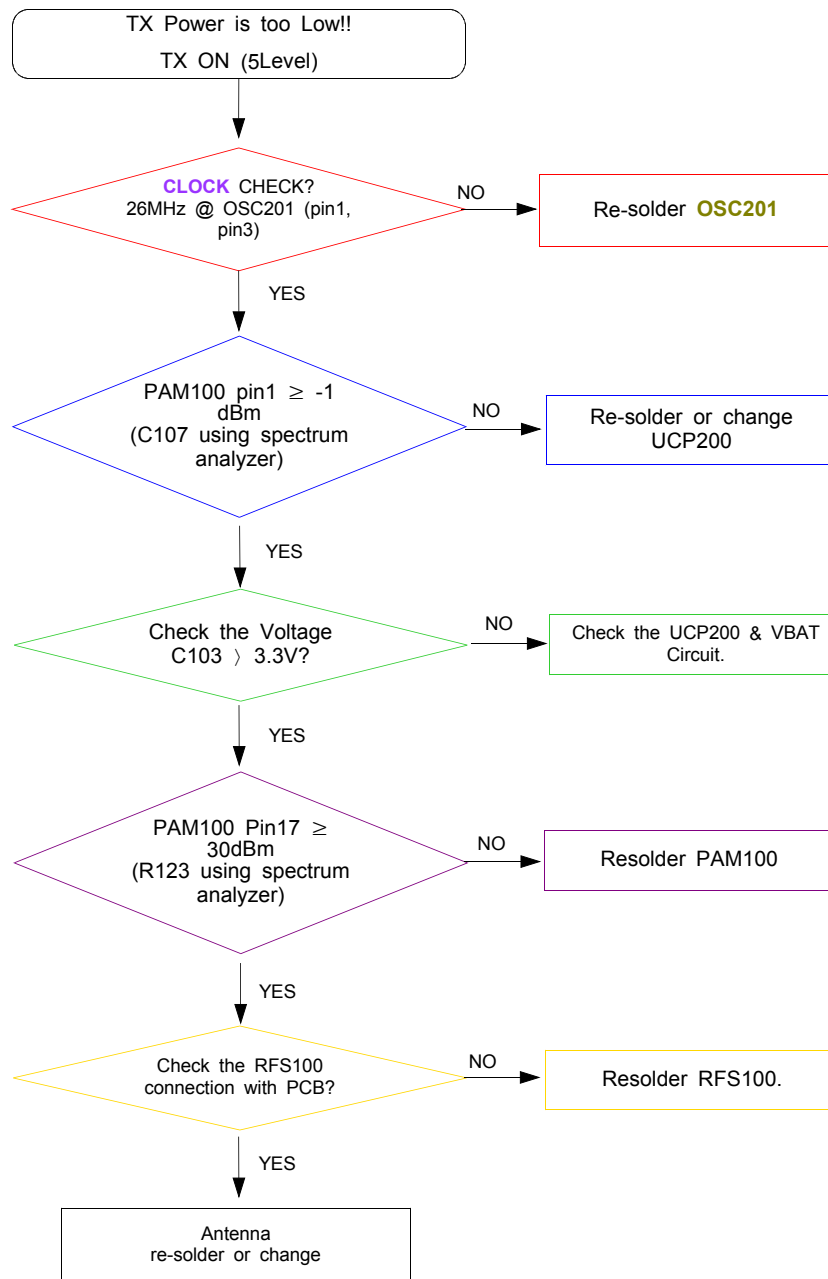




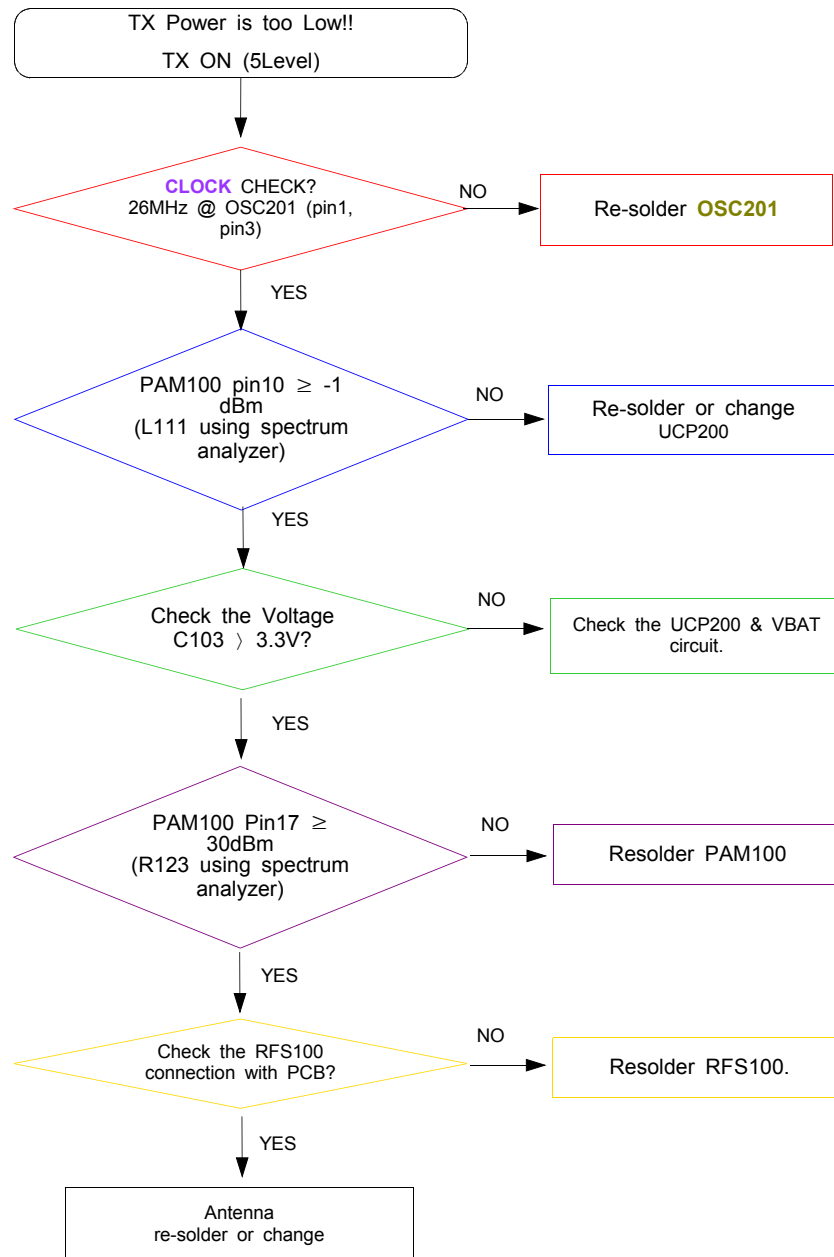
UCP200

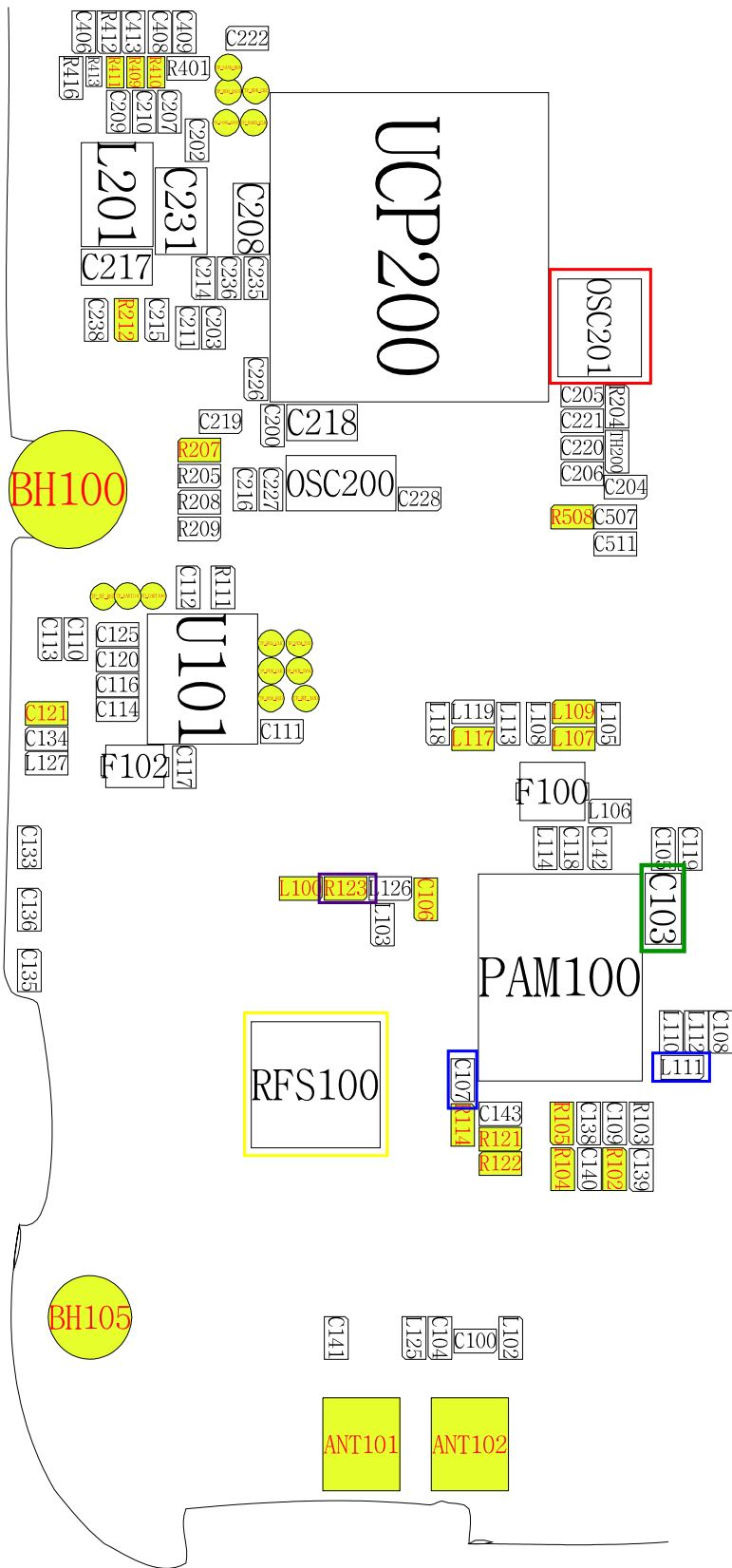


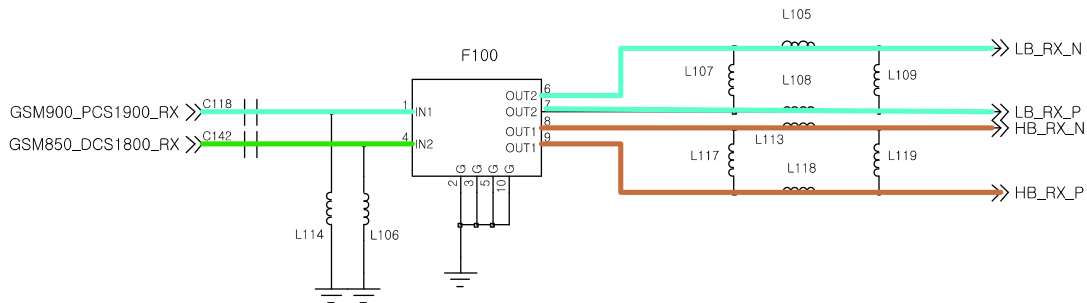
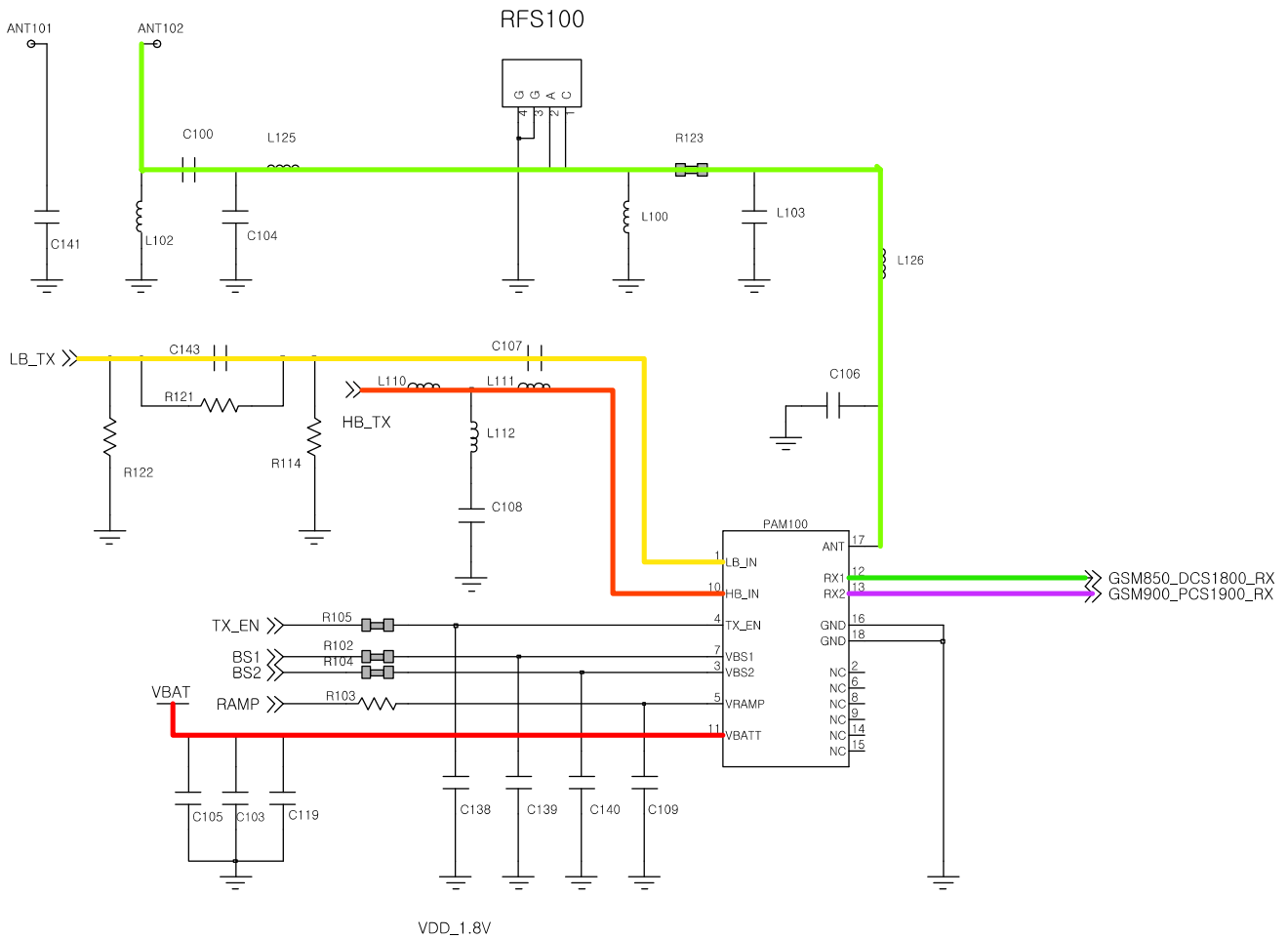
8-3-16. GSM850/900 Tx



8-3-17. DCS/PCS Tx







UCP200

