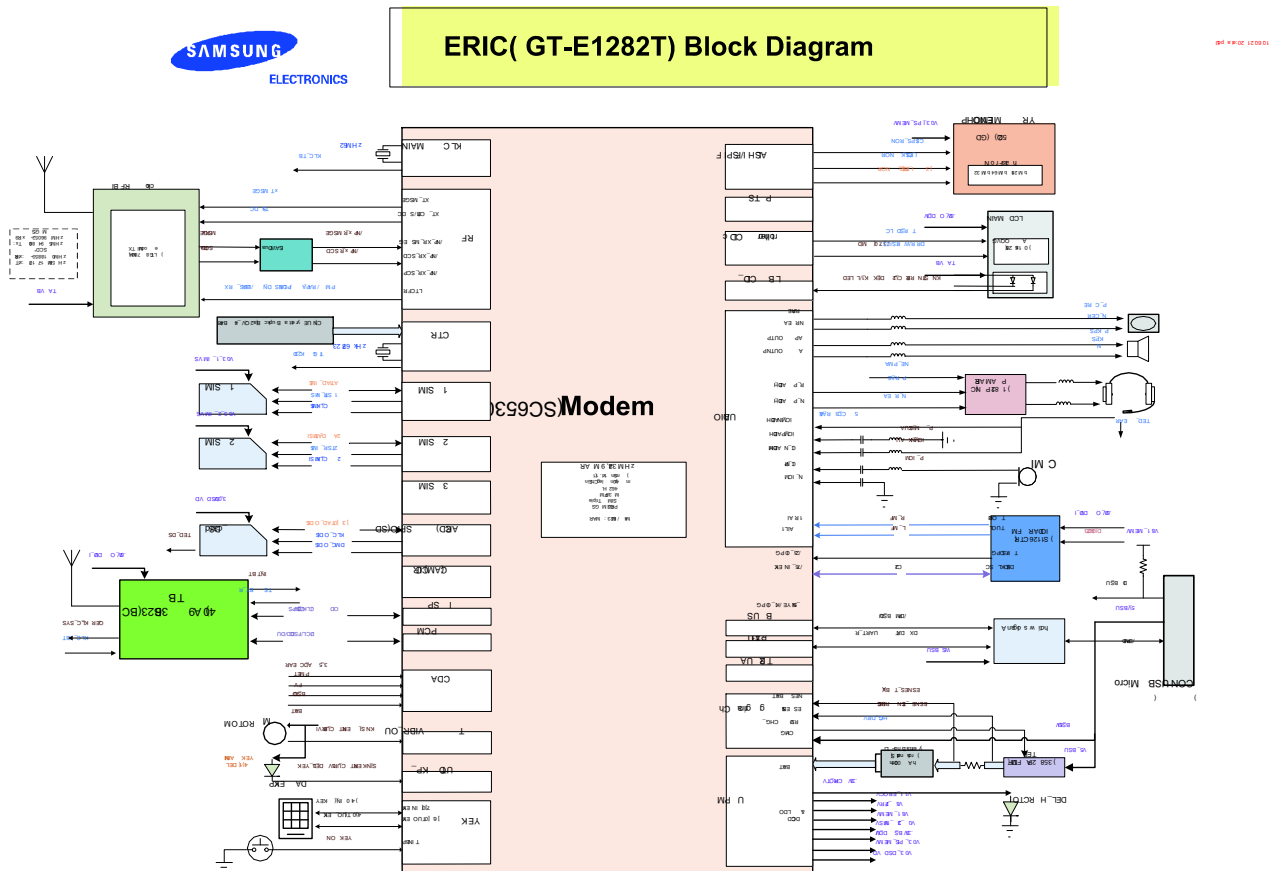


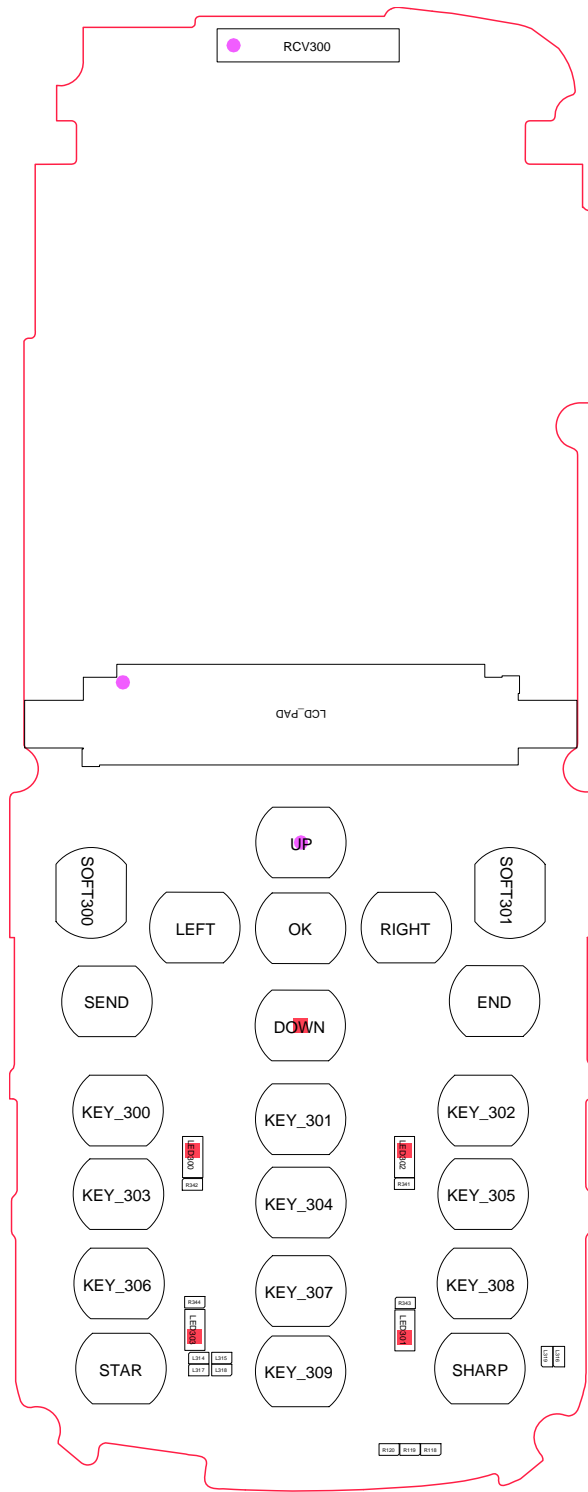
8. Level 3 Repair

8-1. Block Diagram

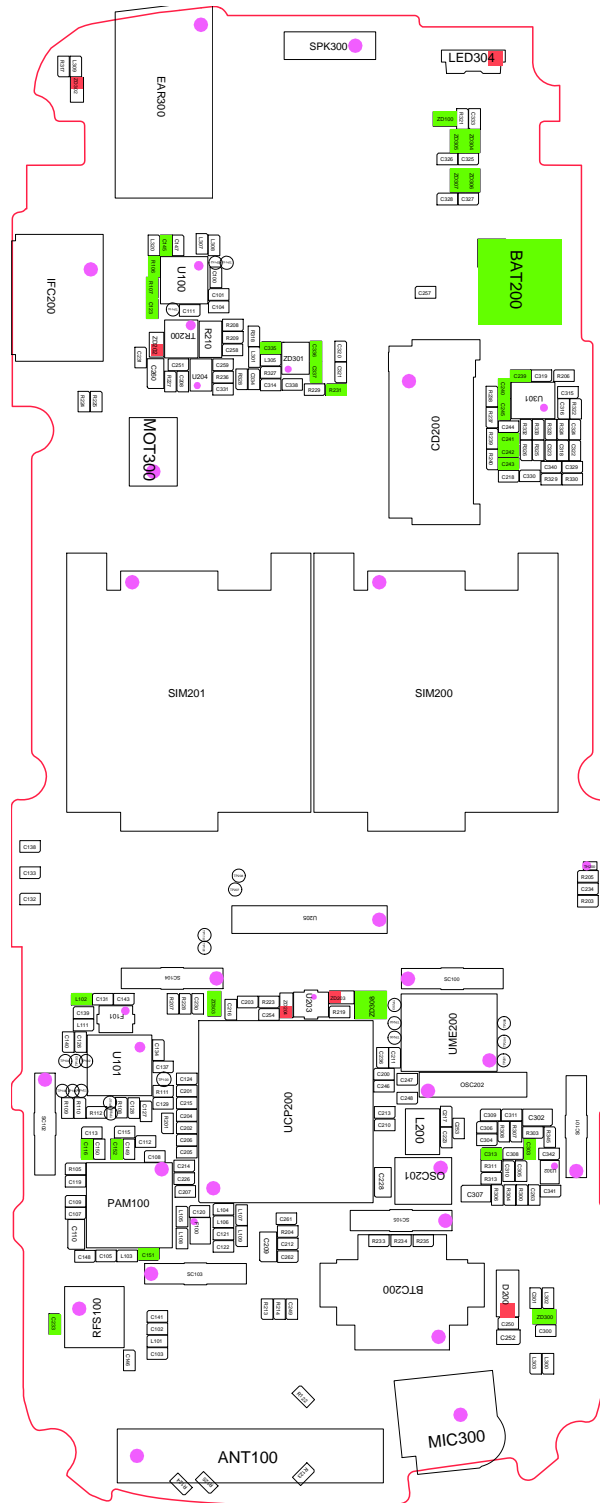


8-2. PCB Diagrams

8-2-1. Top

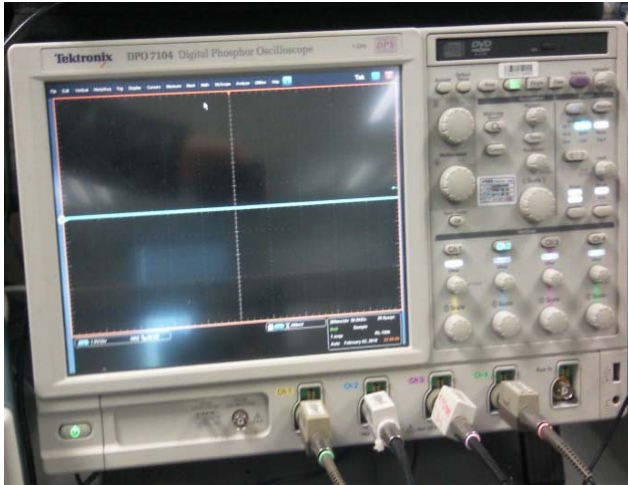


8-2-1. Bottom

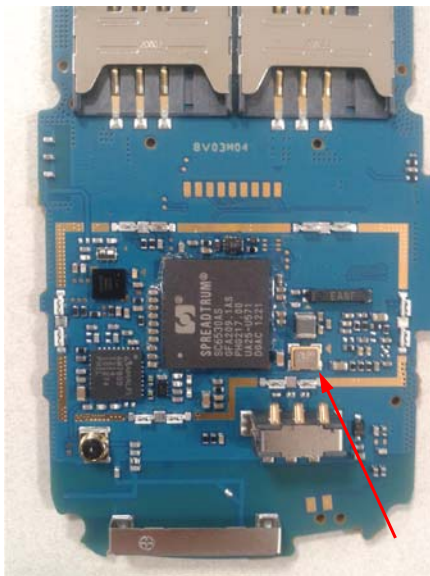


8-3. Flow Chart of Troubleshooting

- ※ presetting methods for checking TP
 - GND & TP(exp. VBAT=**C226**) using Oscilloscope
 - look over the coming out signal.



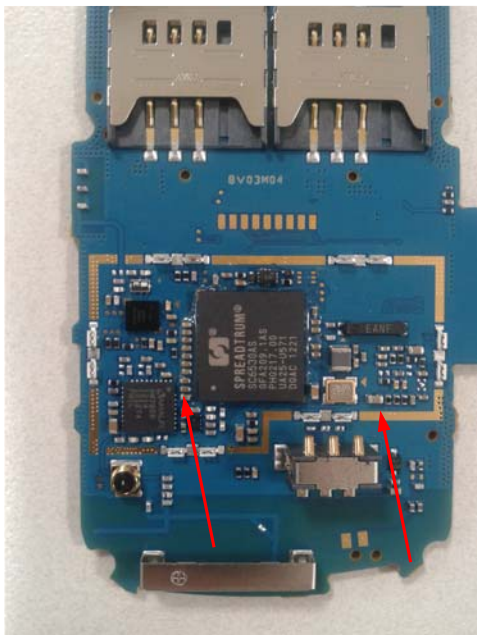
← Oscilloscope



GND



← Multi-meter

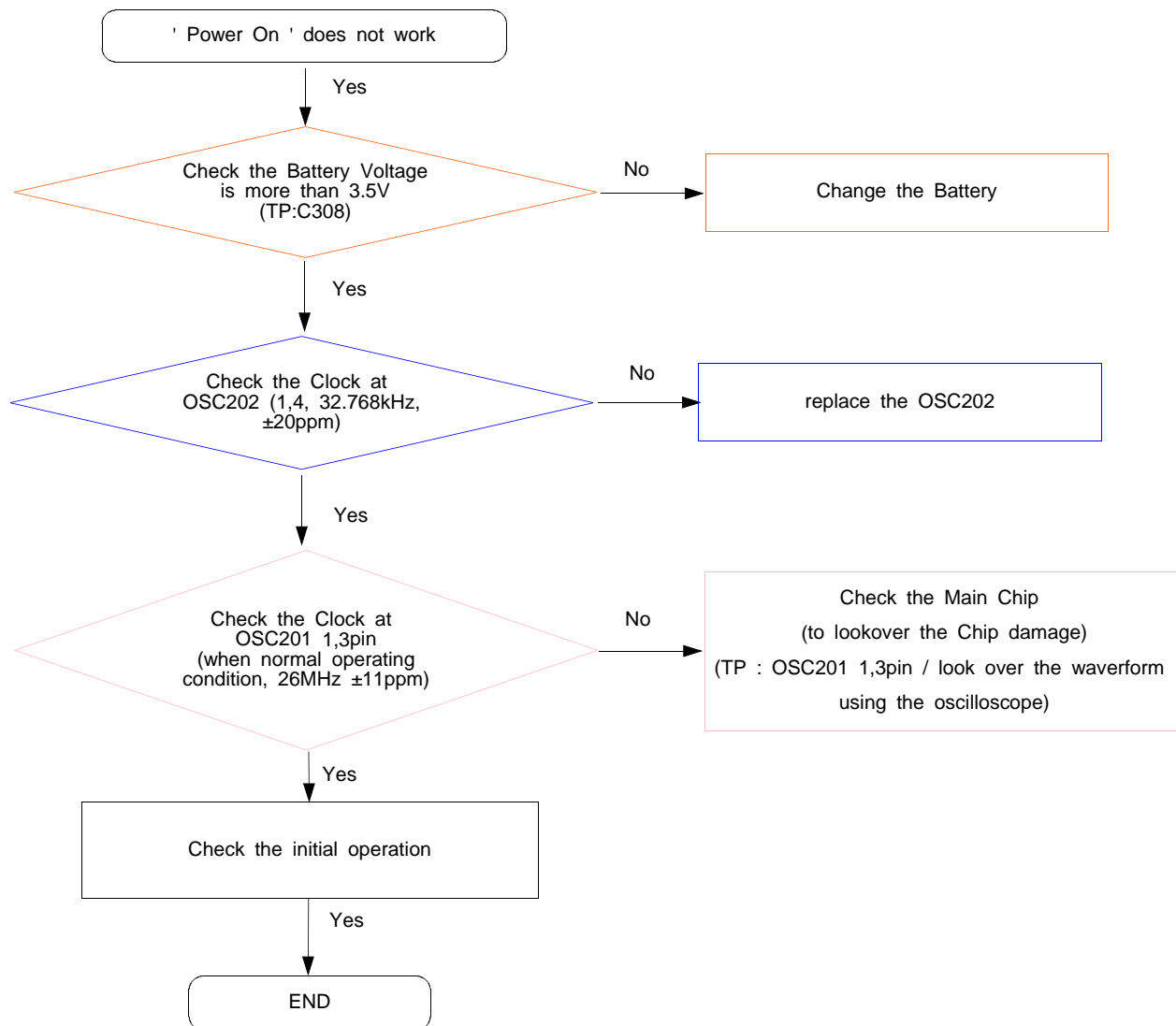


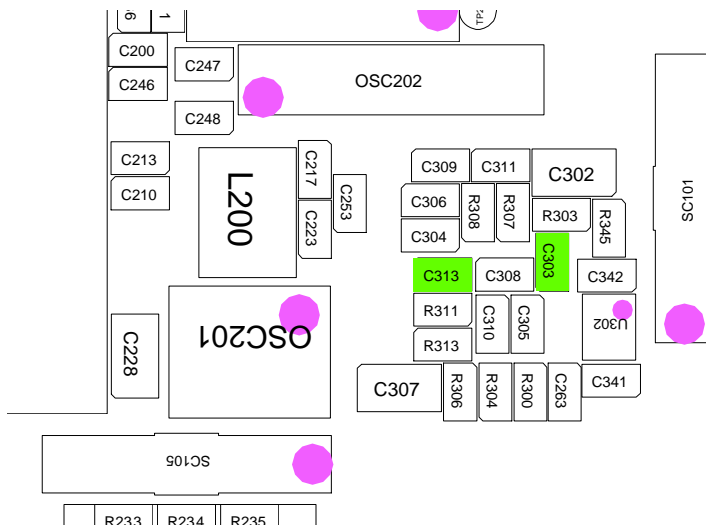
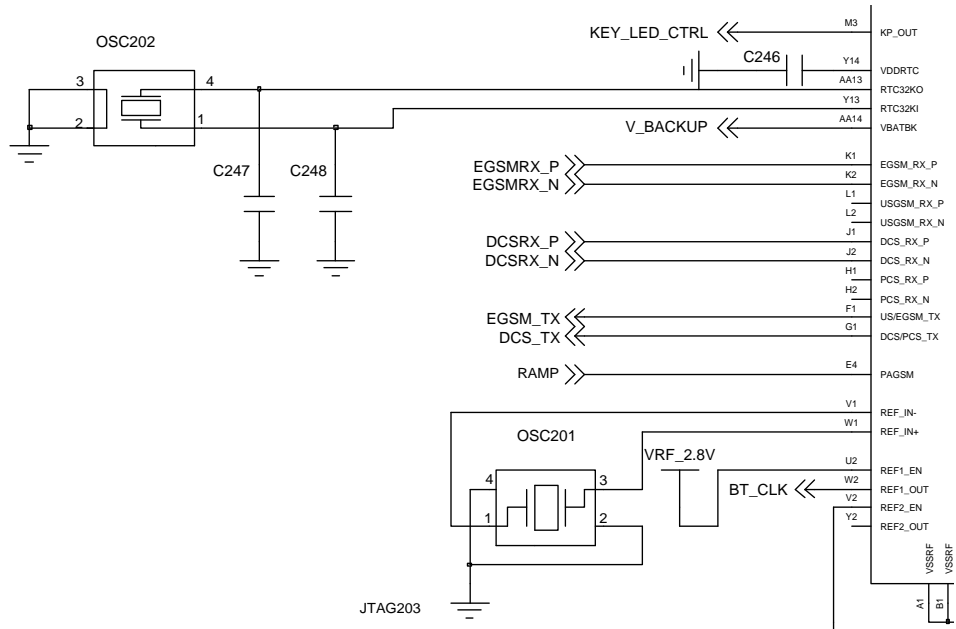
← Checking the TP(test point) using Multi-meter

- EX) to look up the TP, shunt Cap. - if checking the GND, you can listen "beep"
- if checking the Signal, you can't listen it.

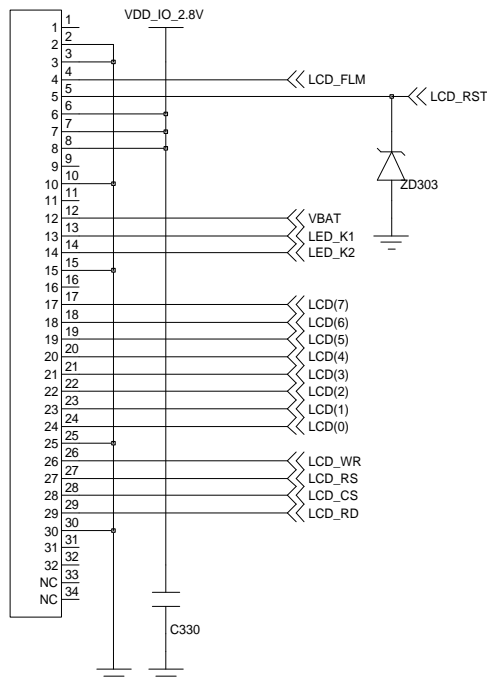
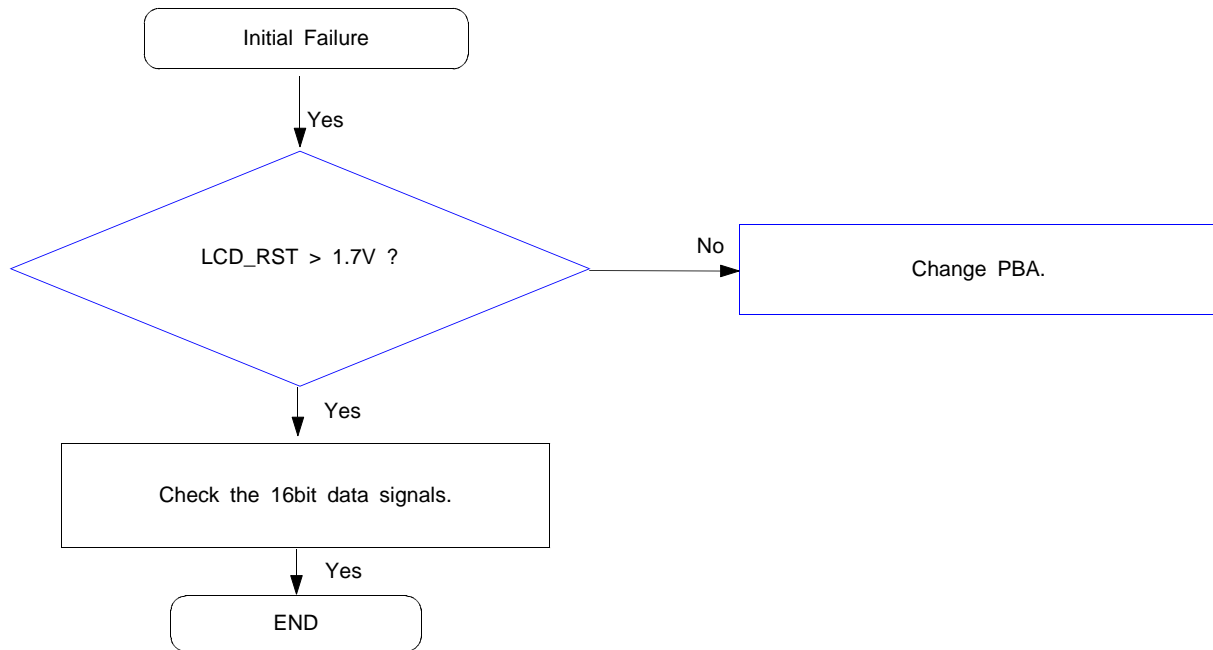
8-3. LOGIC

8-3-1. Power On

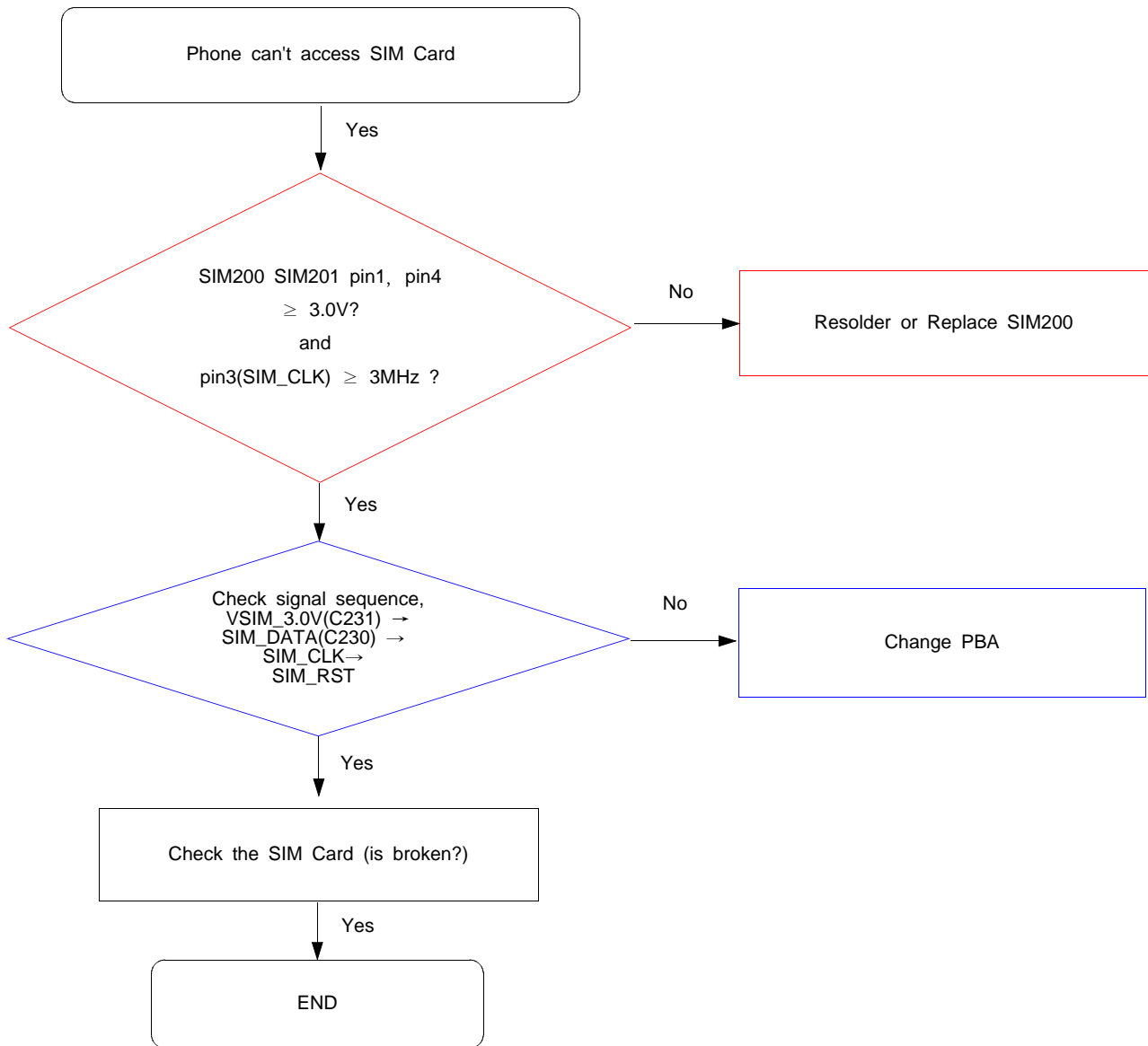


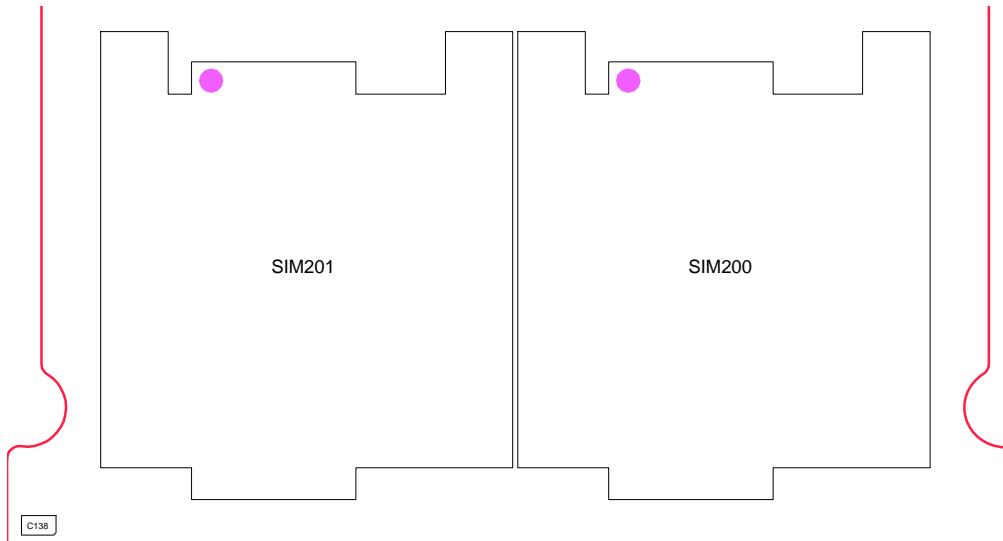
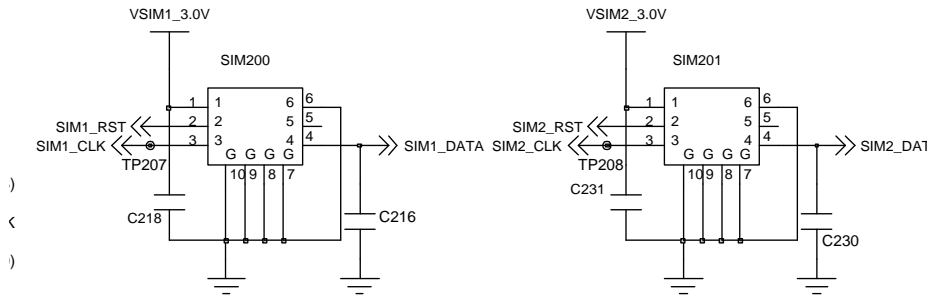


8-3-2. Initial

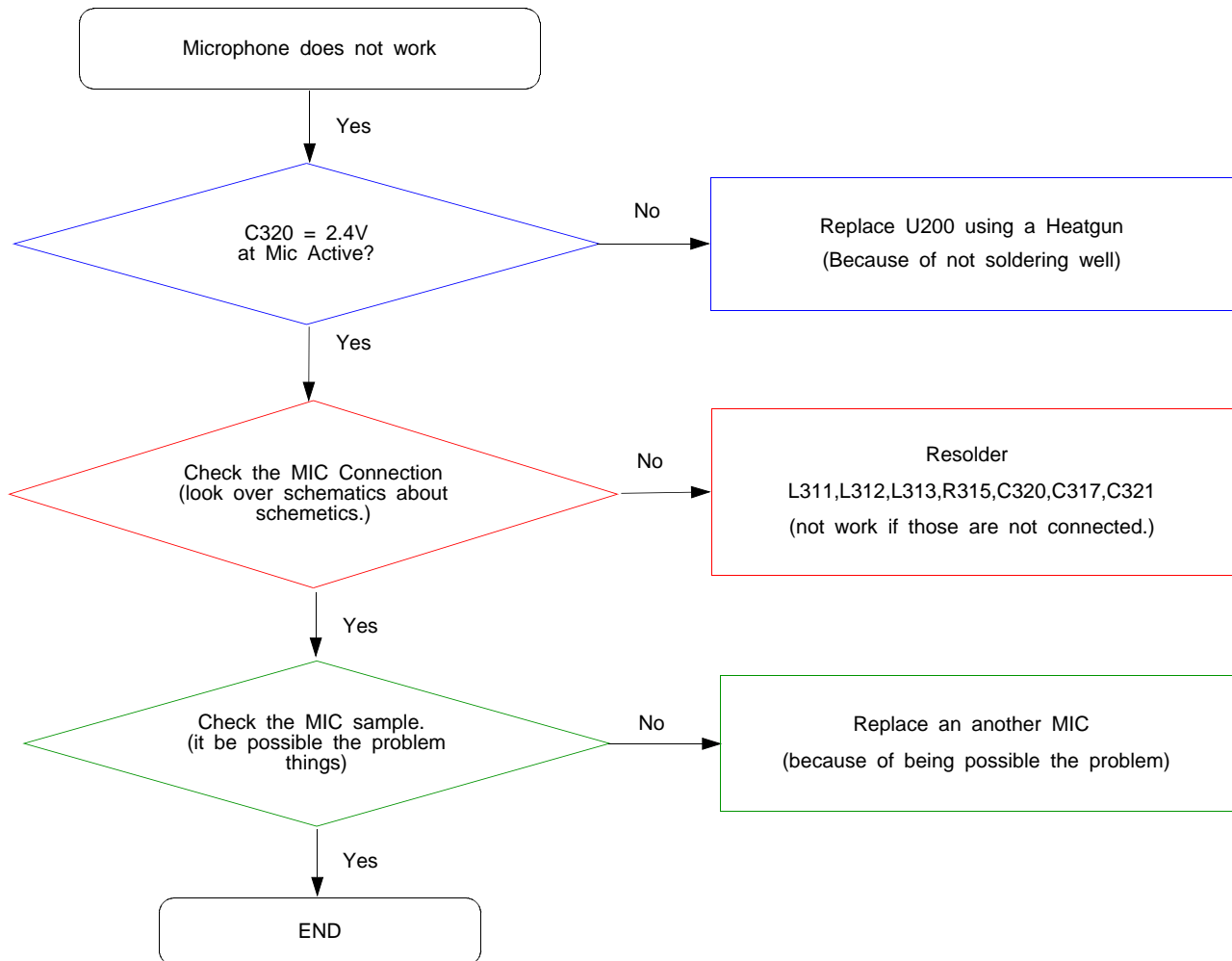


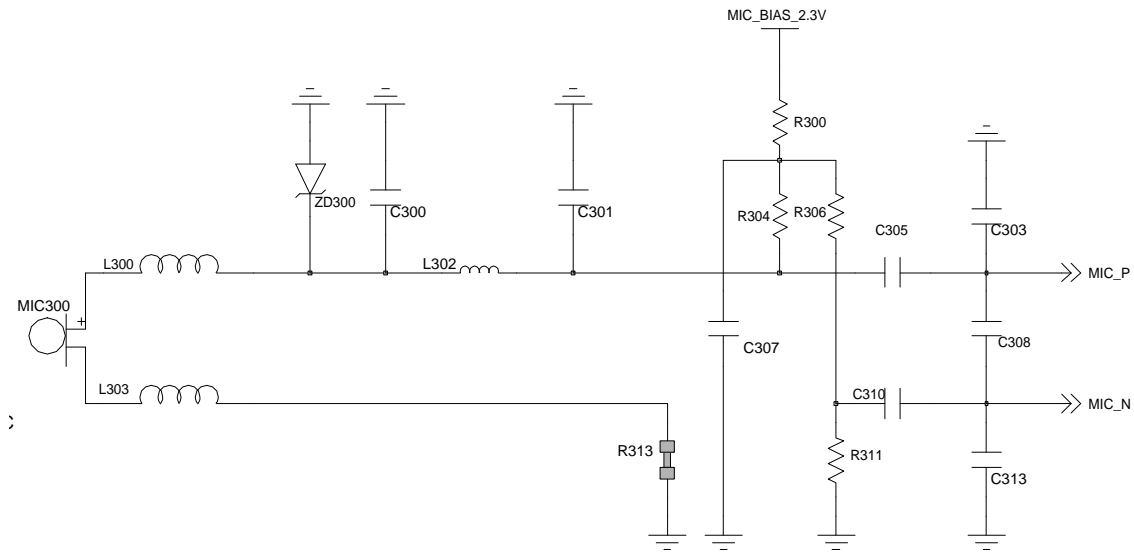
8-3-3. Sim Part



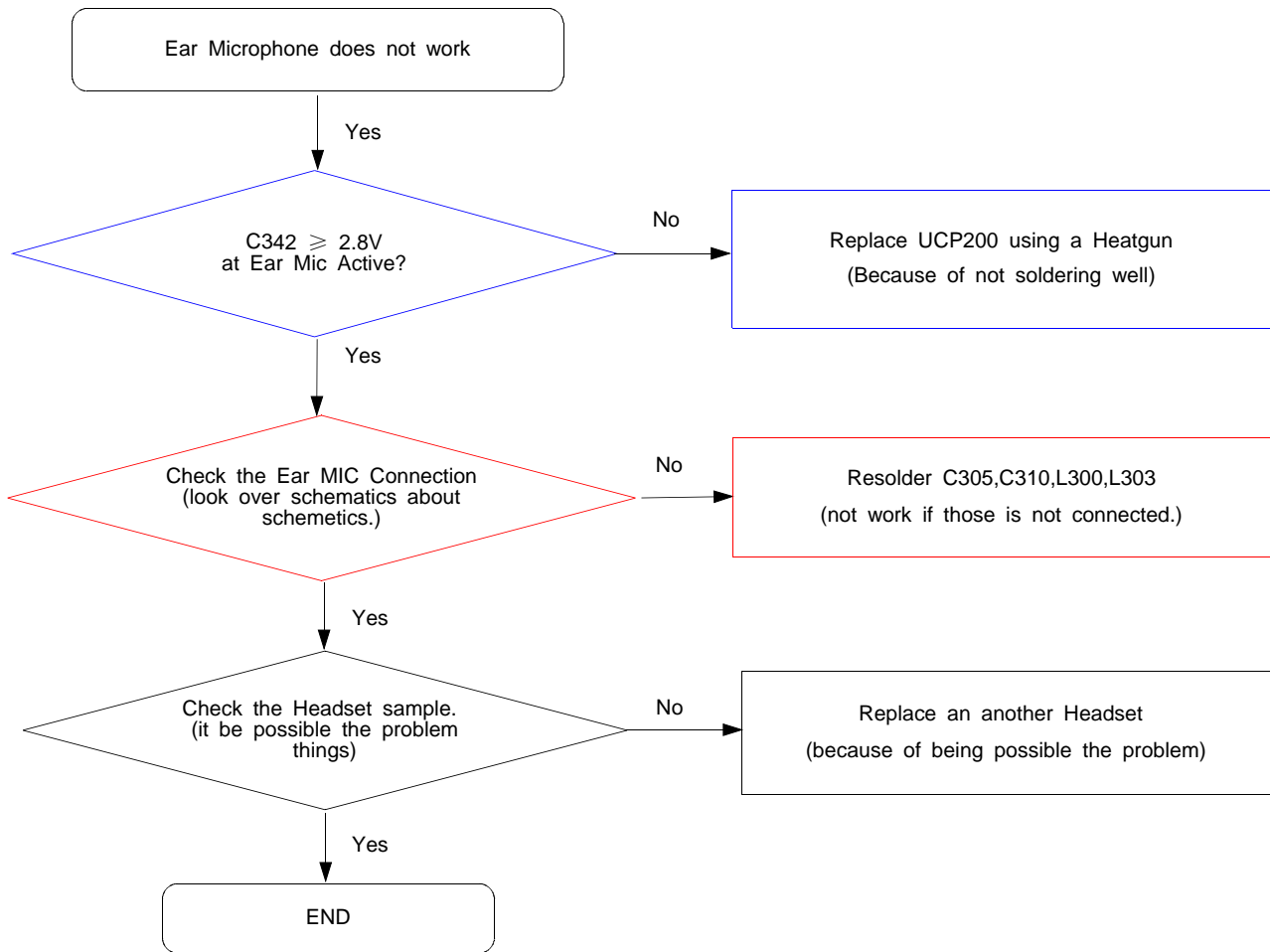


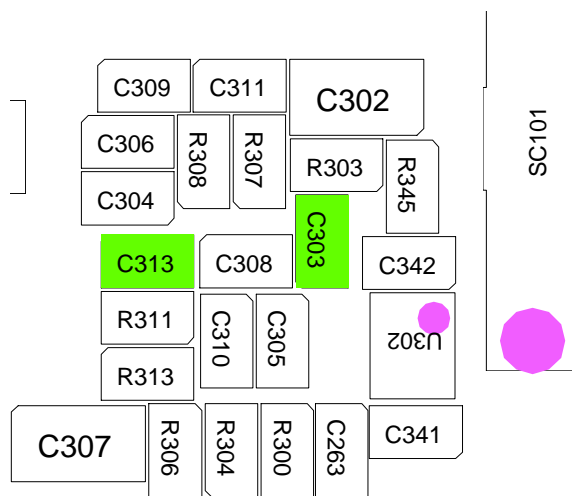
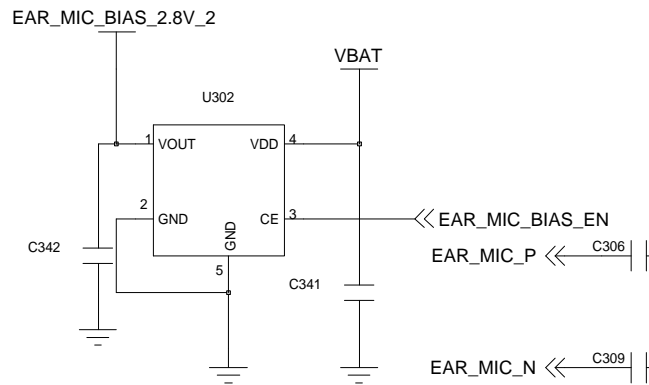
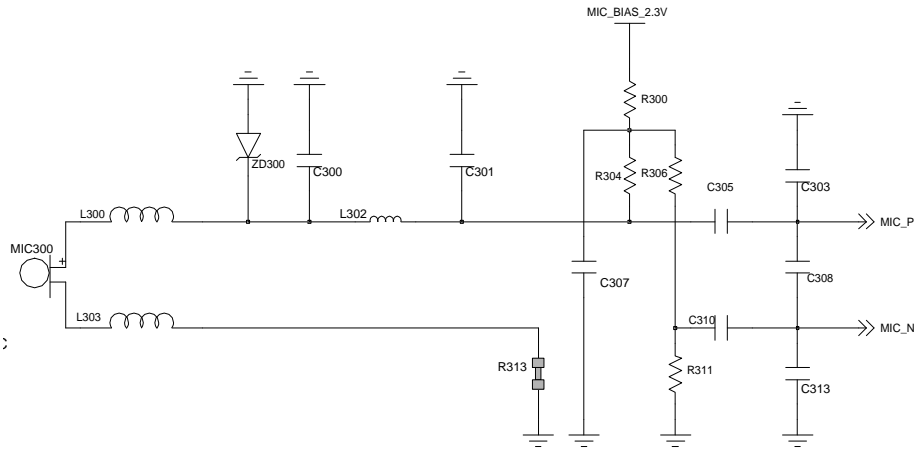
8-3-4. Microphone Part



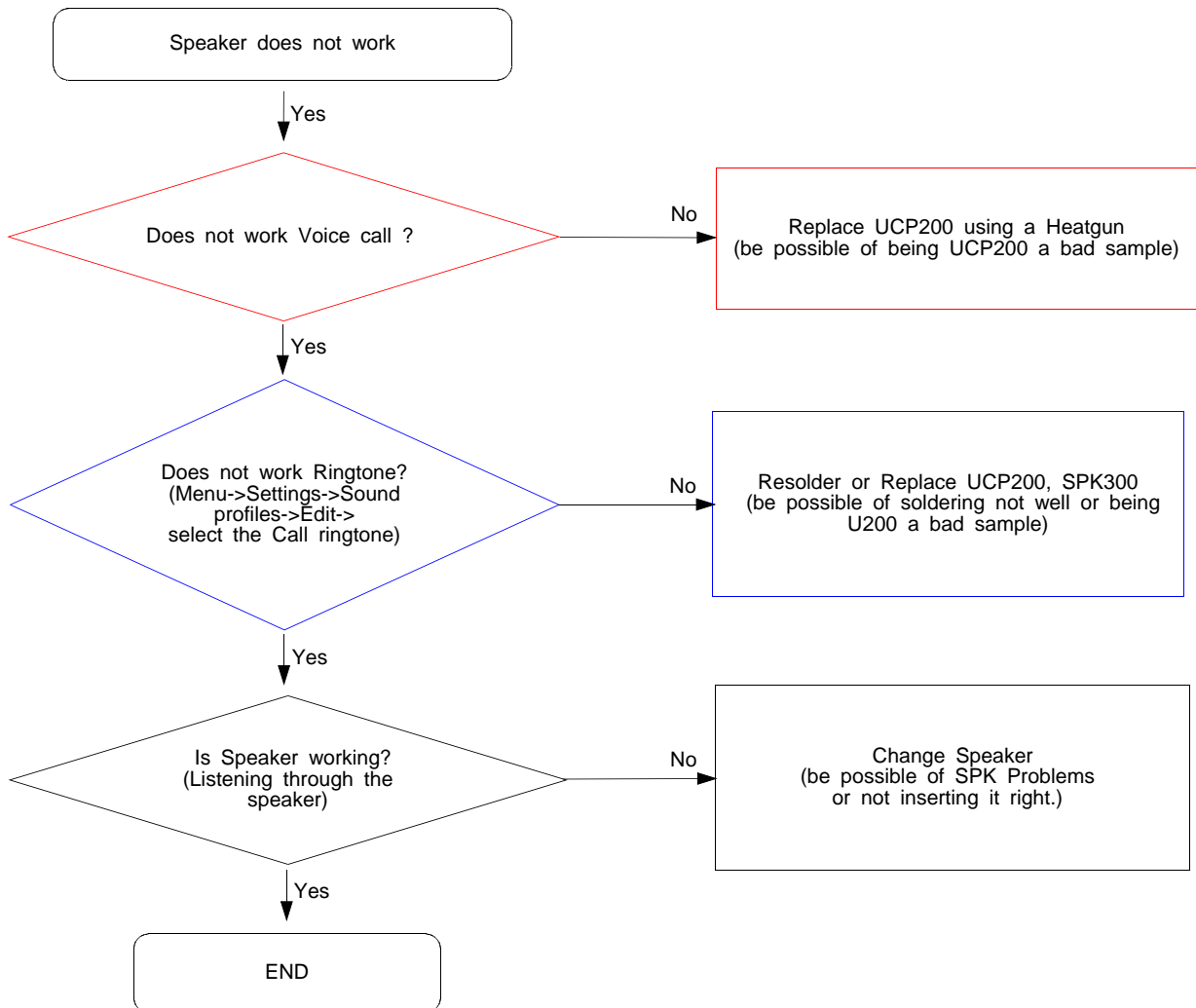


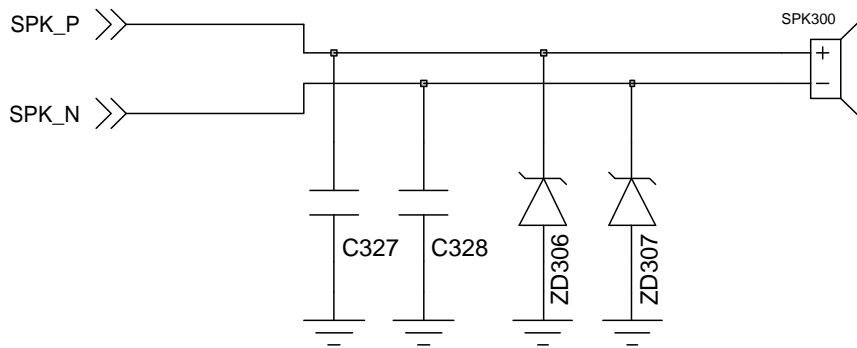
8-3-5. Ear Microphone Part



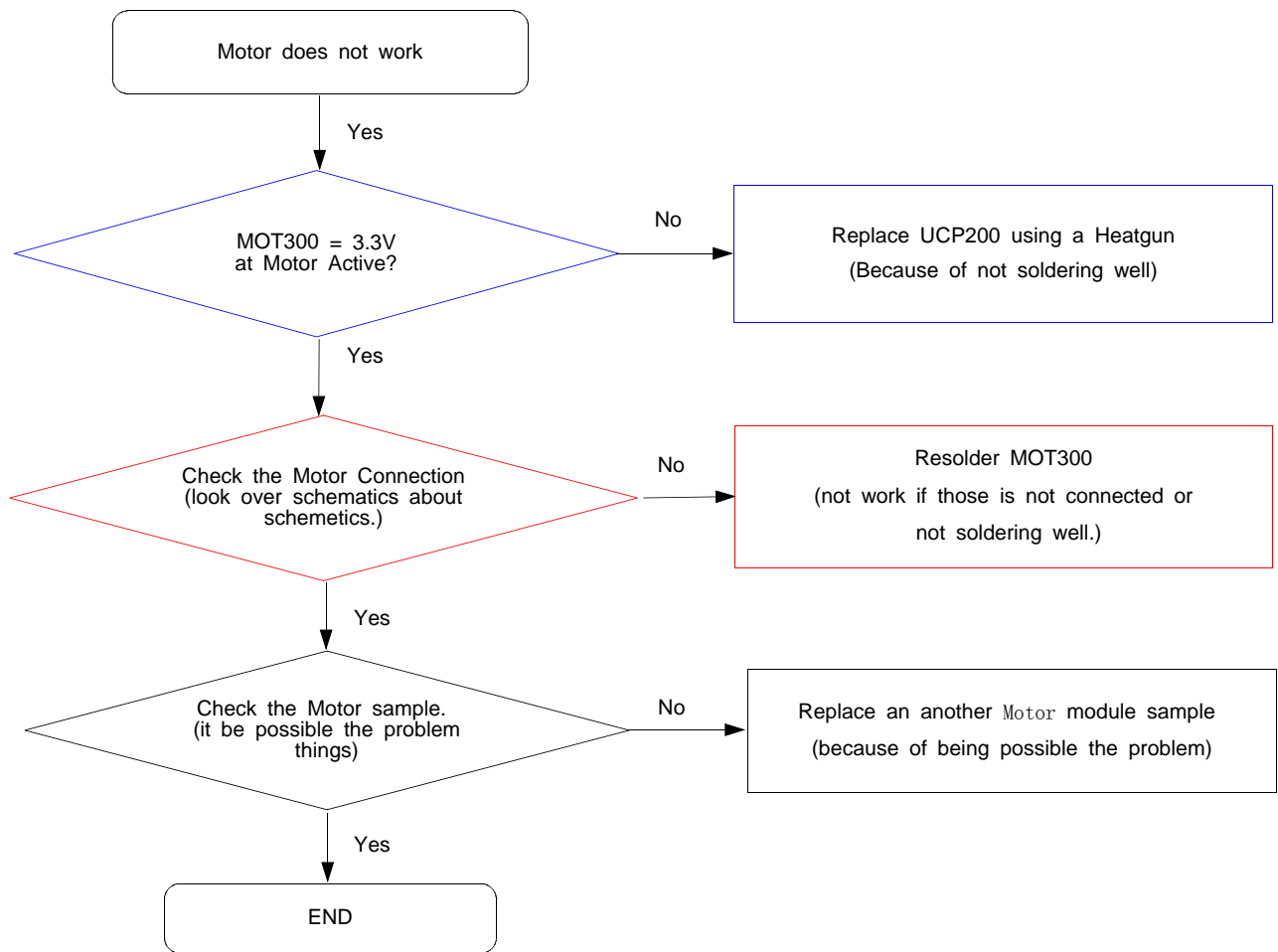


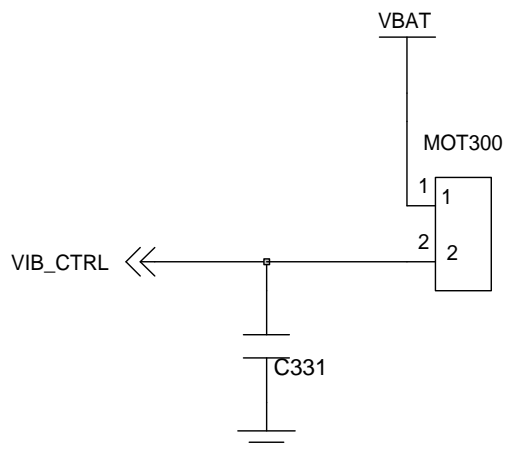
8-3-6. Speaker Part



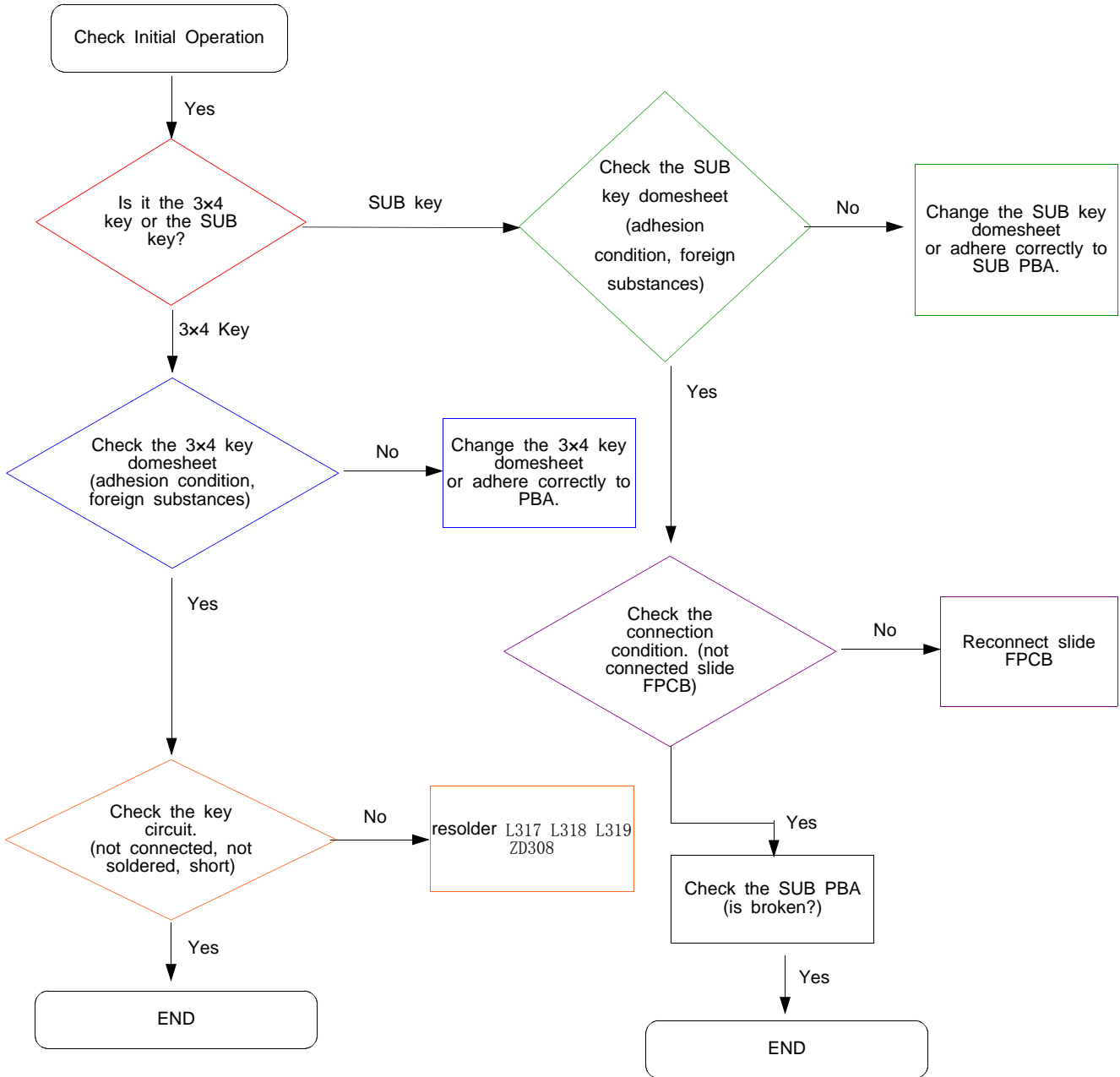


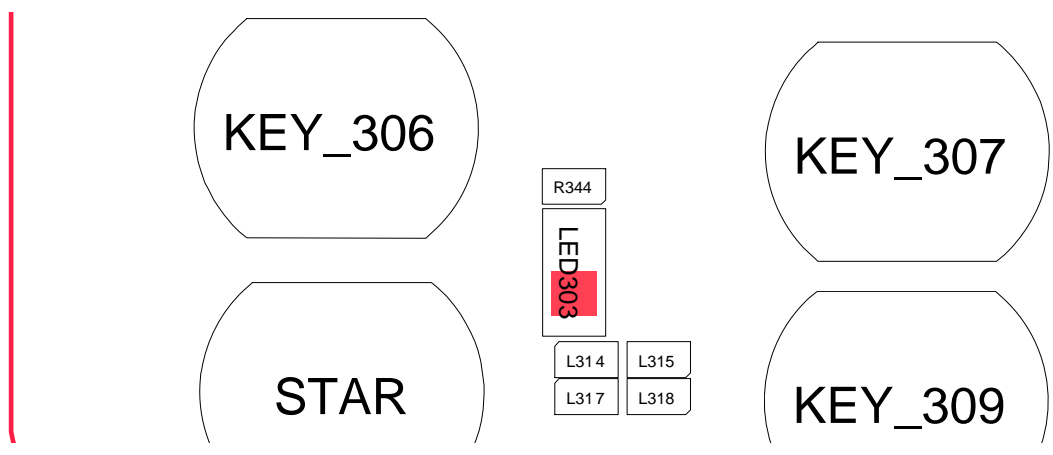
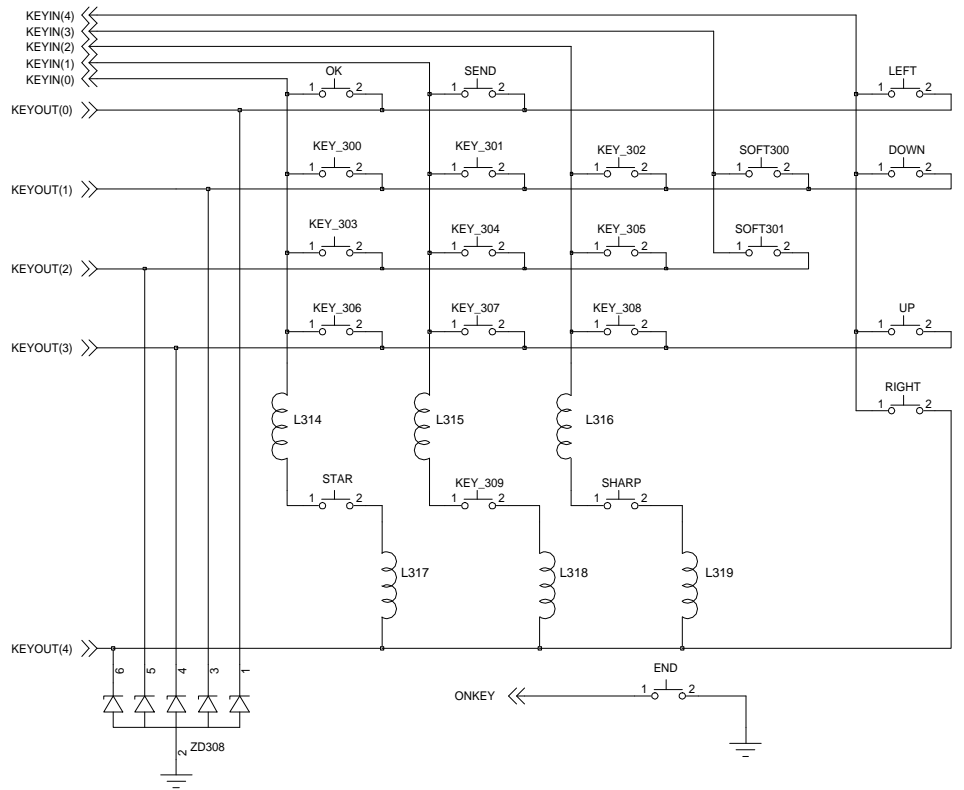
8-3-7. Motor Part



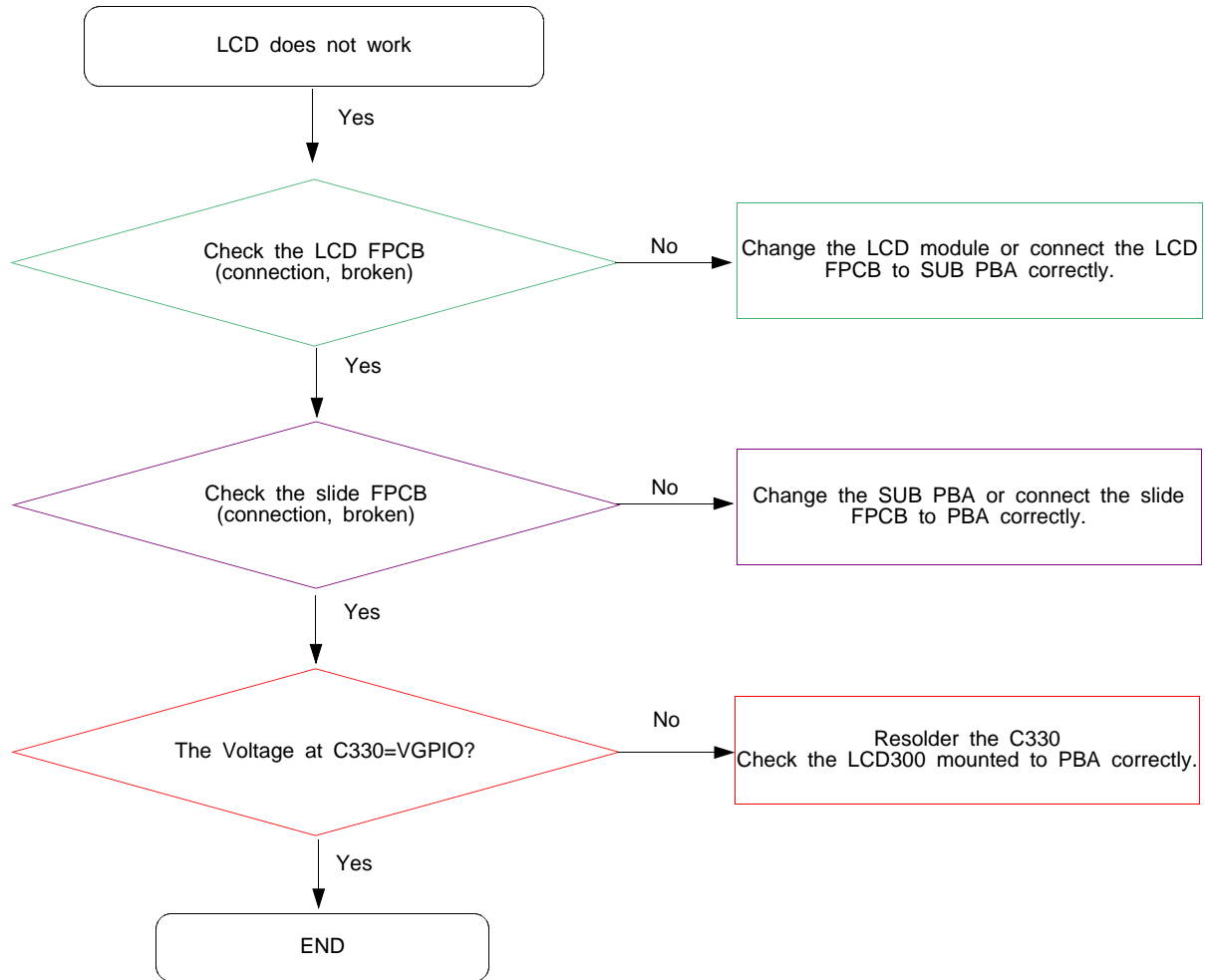


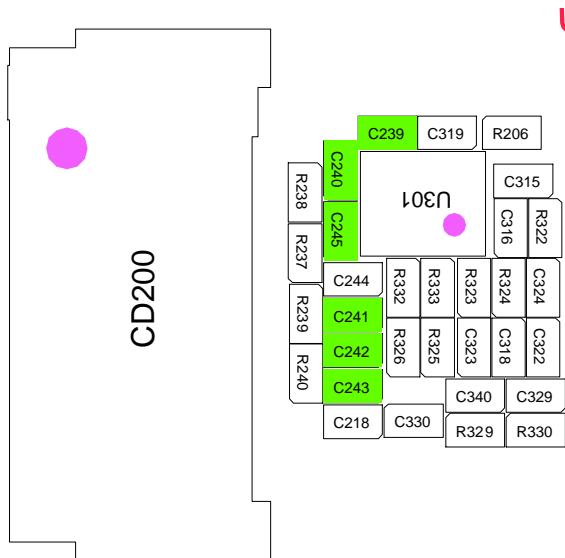
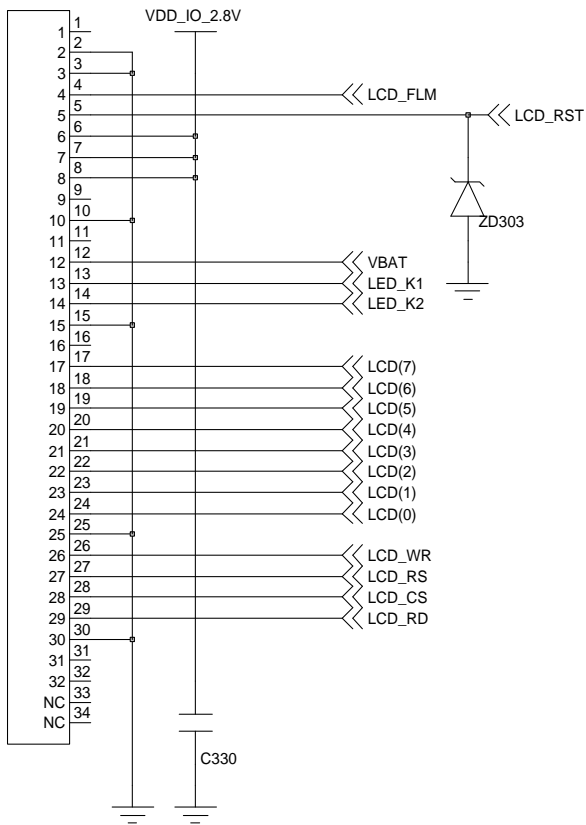
8-3-8. Key Data Input



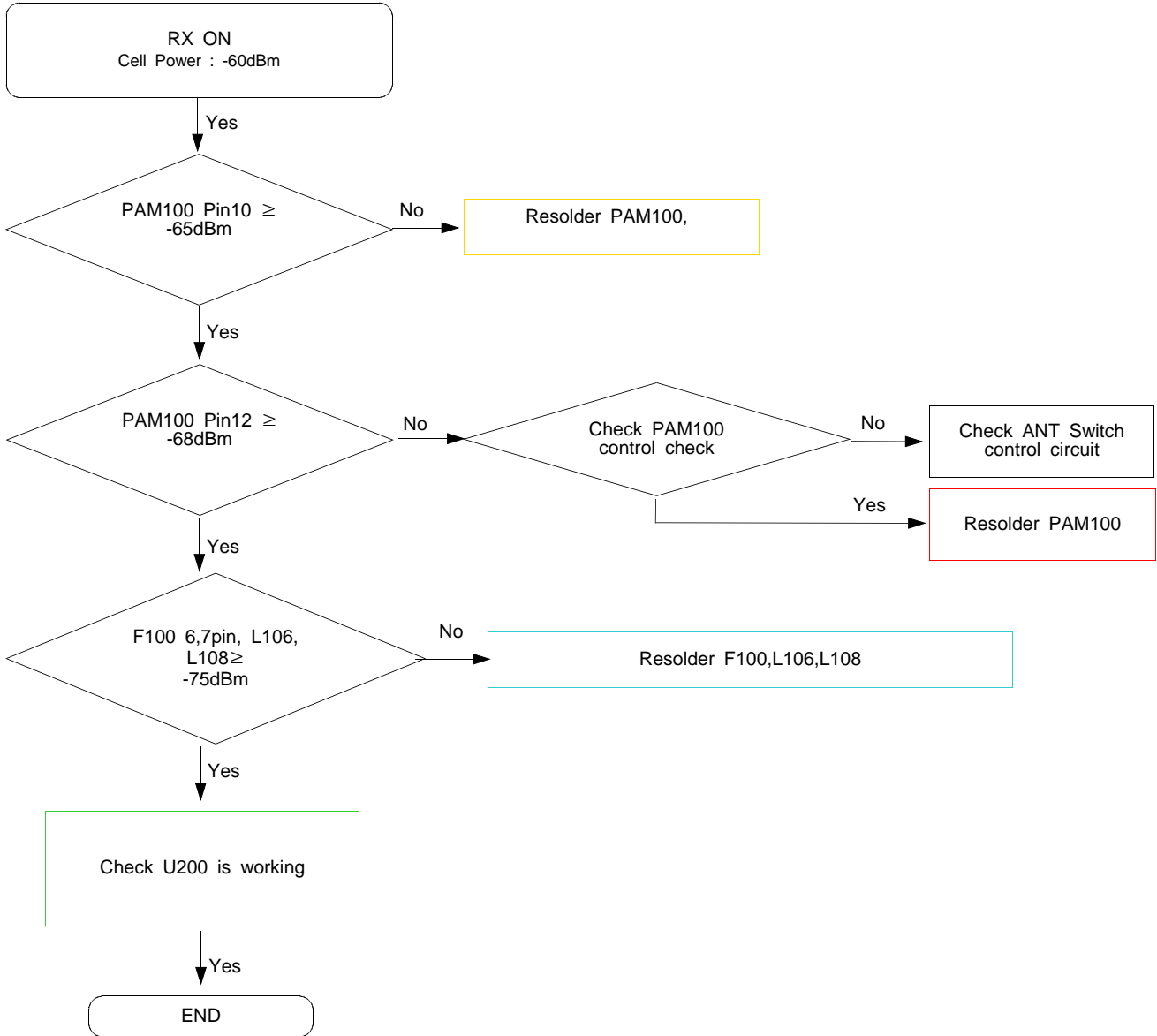


8-3-9. Back Light (LCD)

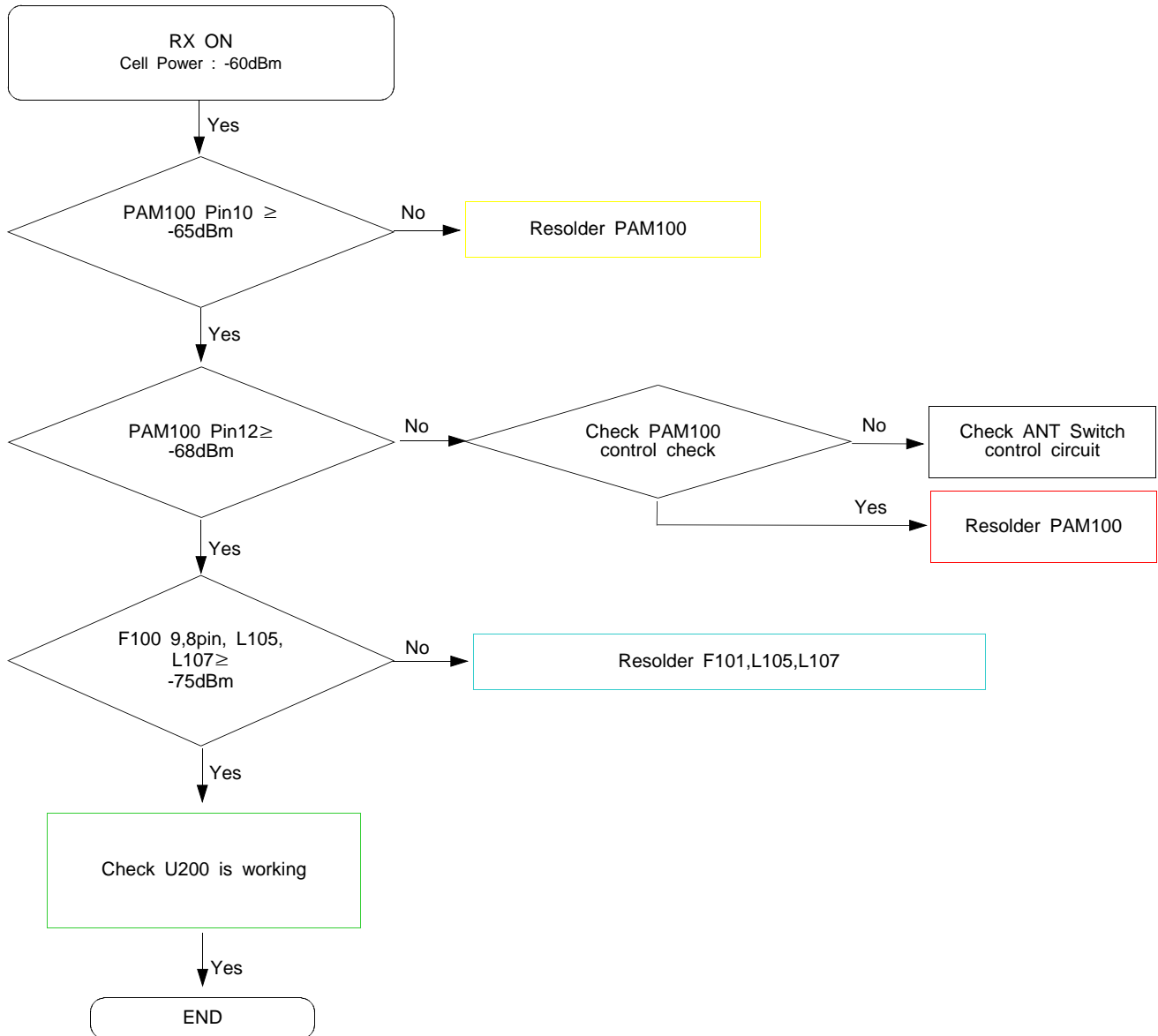


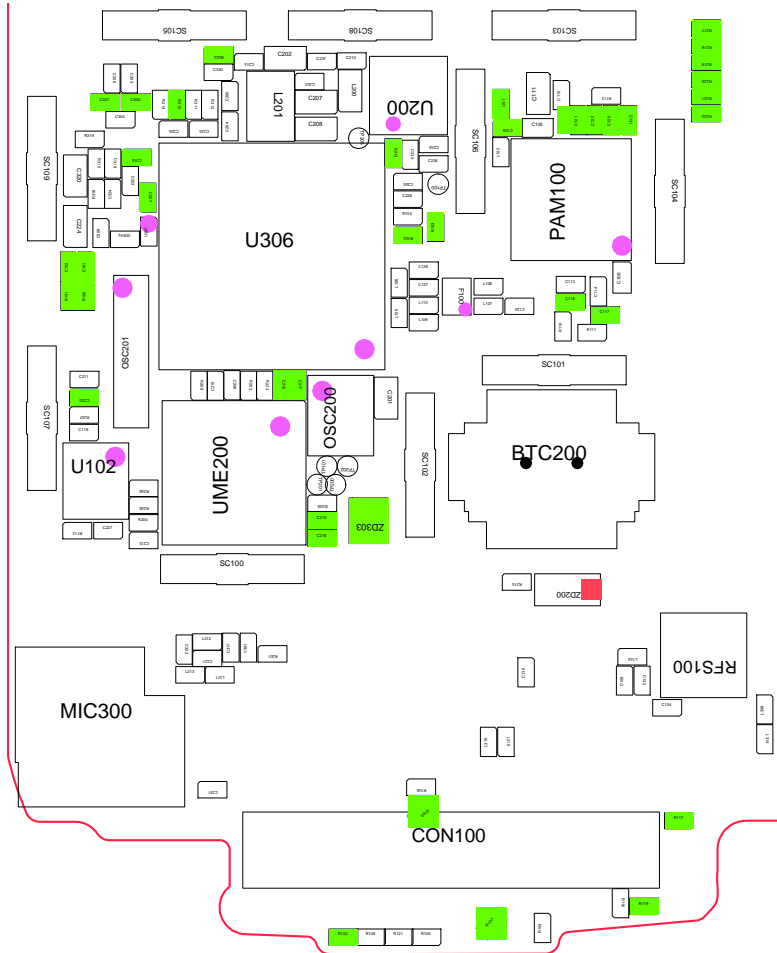


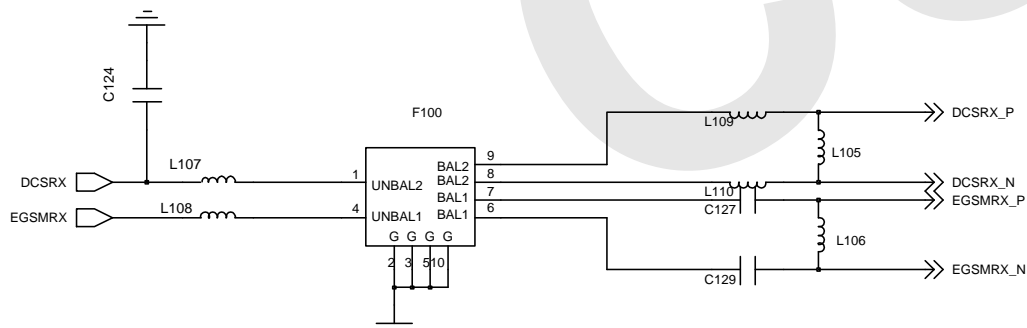
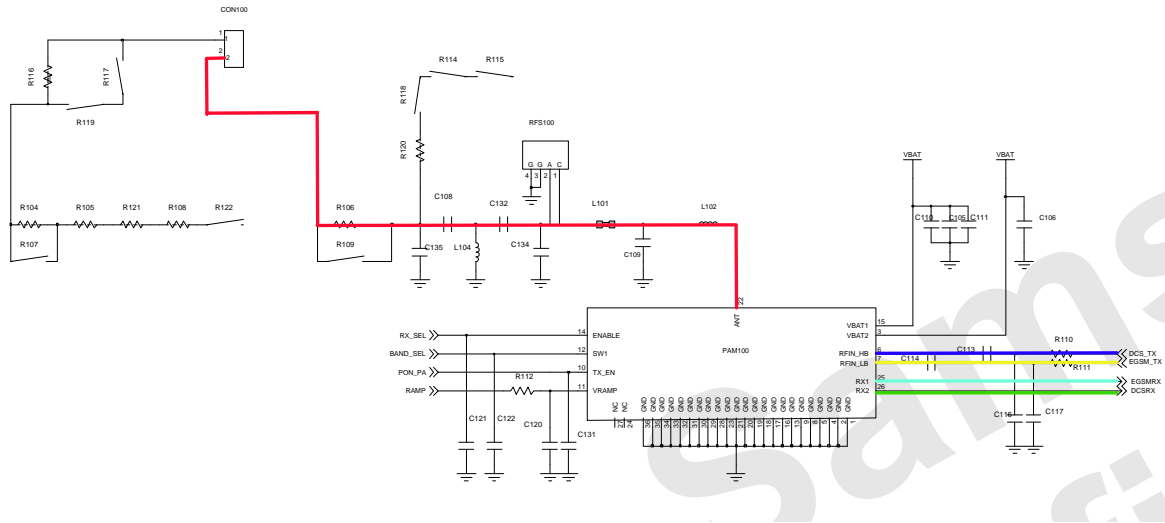
8-3-10. GSM900 Rx



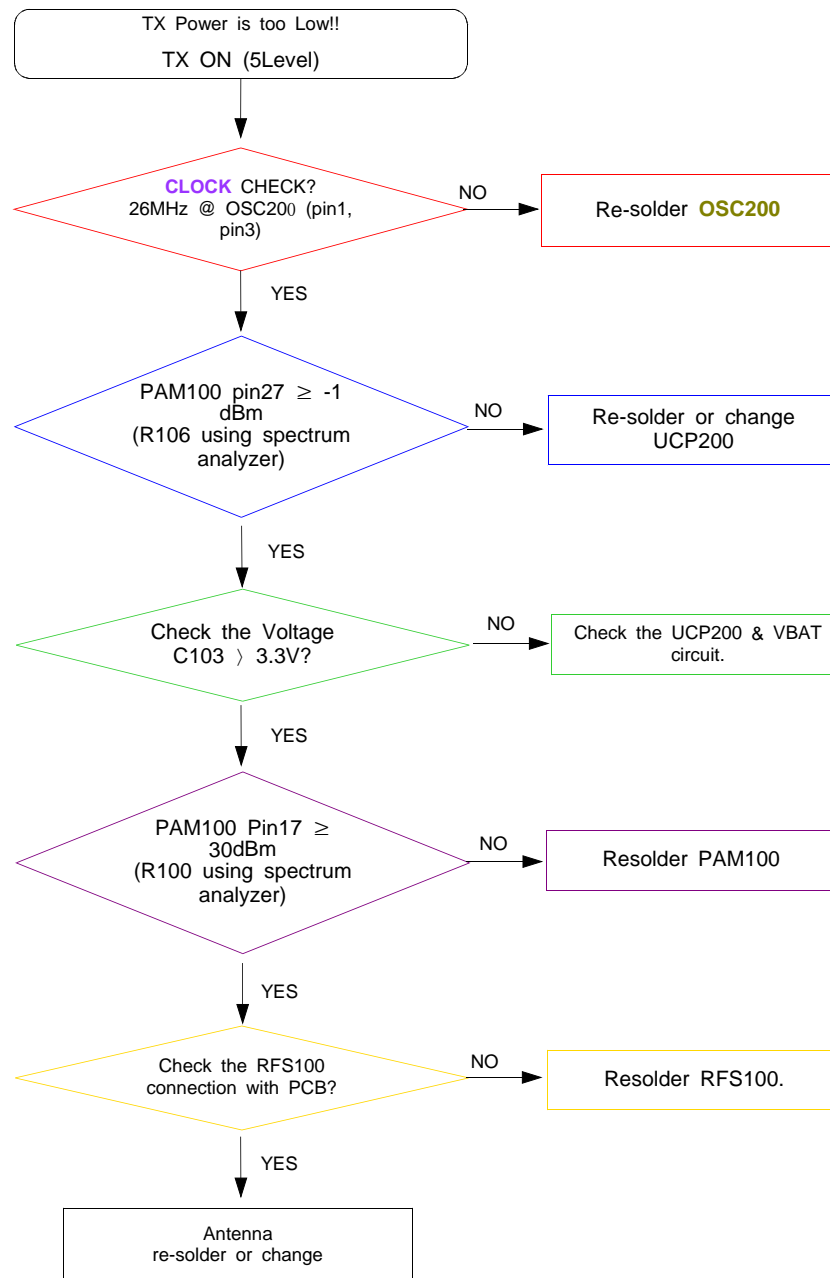
8-3-11. DCS Rx



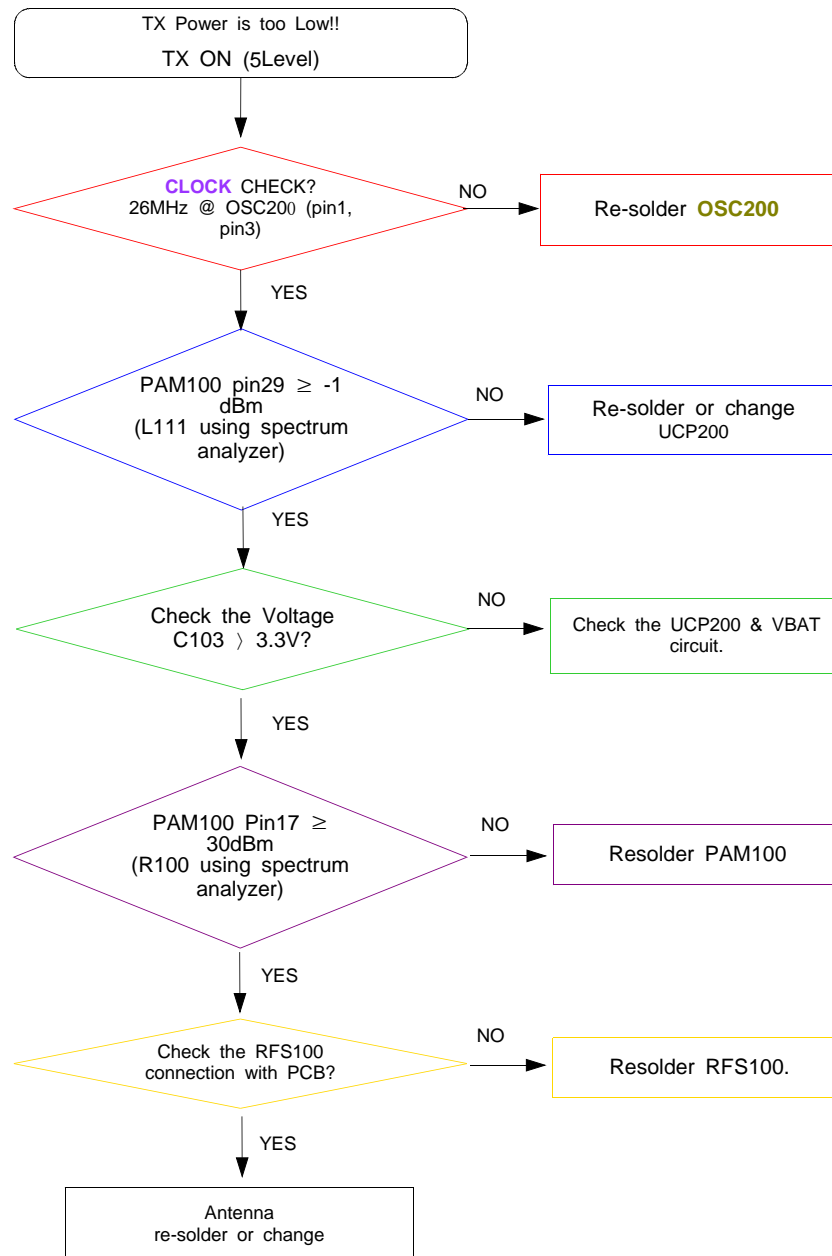


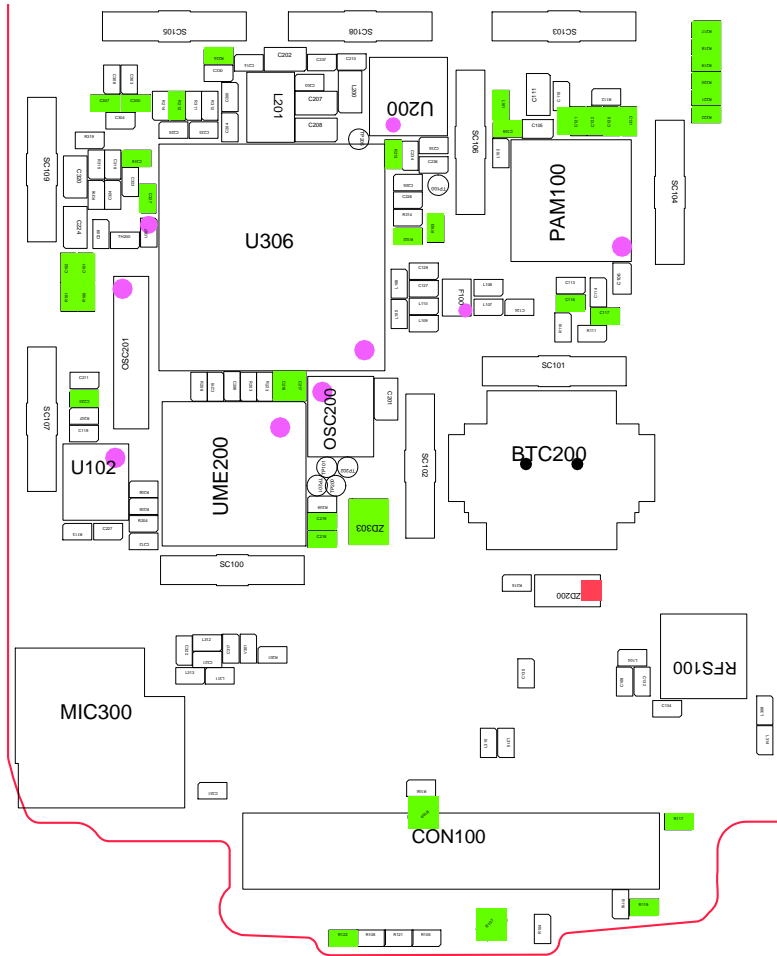


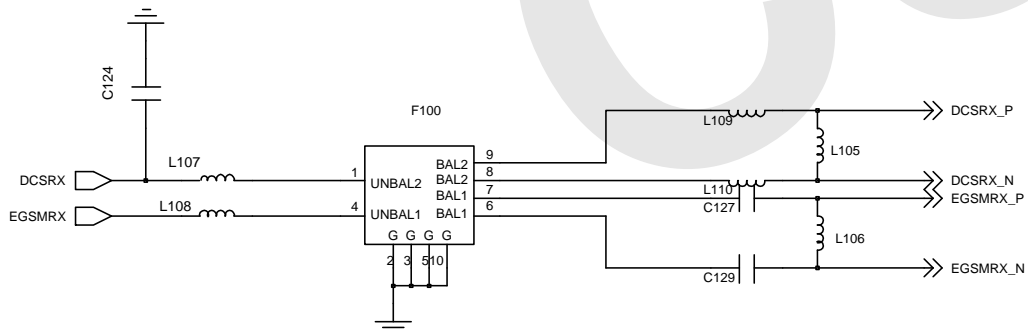
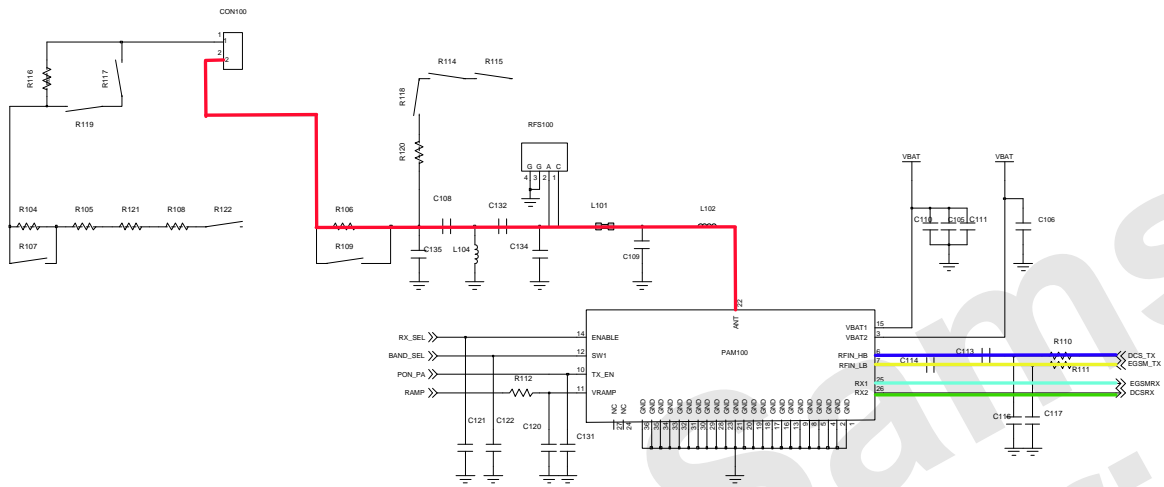
8-3-12. GSM900 Tx



8-3-13. DCS Tx







- NC
(UCP200)

	1	2	3	4	5	6	7	8	9	10	11	12	13	14	15	16	17	18	19	20	21	22		
A	VSSRF	NC	VBAT	VDD18		VDDSIM0	VDDSD		RF_PAEN	CAM_RSTN		CCIRVS	CCIR0K		VCAM	VLCM	LCMD[6]		LCMD[5]	LCMD[2]	NC	NC	A	
B	VSSRF	AVDDBB	VBAT	VMEMS	VDD28	VDDSIM1	VDDSIM2	RF_VBS3	RF_VBS1	RF_PABAND	CCIRD[0]	CCIRHS	CCIRD[4]	CCIRD[7]	LCMCS0	LCMCD	LCMD[8]	LCMD[0]	LCMD[4]	LCMD[1]	SMDA1	NC	B	
C	VDDRF	RSTN	VSSRF	VBAT	TESTRSTN	VSS	PBINT	RF_VBS2	RF_PAMODE	CCIRD[2]	CCIRD[3]	CCIRD[5]	SDA	SCL	VSS0	LCMCD	LCMWR	LCMRSTN	LCMD[3]	LCMRD	GPI0_63	SMDA0	C	
D	VDD_BB1	VDD_TX_LO	VSS		ADC10	ADC12		TP_YD	TP_XR	TP_XL	VSS0	CCIRD[1]	CCIRD[6]	CAM_PD	VSS	LCMCS1	SR1_3D_I	SR1_3C_S0		SIMCLK2	SIMCLK0	SMRST0	D	
E	VSSRF	VDD_TX	VSS	PAGSM						TP_YU			CCIRMC_K				SR1_3D_O	SR1_3C_LK	SMDA2		SIMCLK1		E	
F	USEGSM_TX	VSSRF																VSS	SMRST2		SMRST1	F		
G	DCS_PCS_TX		VSS			LDOEMSB	PRODT												GPI0_1	SR0_0C_S1	SR1_0C_S0	EXTINT0	G	
H	PCS_RX_P	PCS_RX_N	VSSRF				ADC11	ADC13										VSS0	GPI0_3	GPI0_2	EXTINT1		H	
J	DCS_RX_P	DCS_RX_N		VSSRF						VSS		VSS	VDDIO	VDD_D	VSS0			IISCK	IISDO	PWM	PADP_USB	GPI0_0	J	
K	EGSM_RX_P	EGSM_RX_N	VSSRF								VSS		VSS	VDDIO	VDD_D				VSS		VDDUSB	PADM_USB	K	
L	USGSM_RX_P	USGSM_RX_N		VSSRF		WHTLED_IB3		WHTLED_IB4	WHTLED_IB5	VSS		VSS		VSS						IISDI	CLK_AUX		L	
M	VSSRF	VSSRF	KP_OUT			WHTLED_IB2				VSS	VSS		VSS			VDD_D		VSS0	IISLRCK	IISCLK	U0TXD	U0RXD	M	
N	VDD_RX_ADCDIG	VDD_BB2	VIBR_OUT					VDDCAMD1		VSS		VSS		VSS		VDDIO		SD_D2	U0RTS	U0CTS	SD_D3		N	
P	VDDCOR_E	VDDCAMD0	WHTLED_IB1	WHTLED_RST															SD_CLK	SD_D1	ESMCLK	ESMD3	P	
R		VDDCAMA	WHTLED_IB0								HEADP_R	HEADP_L							SD_CMD	SD_D0	ESMD1	ESMD2	ESMD0	R
T	DVDD18	VSSRF	VBAT	VBAT	VDRV	VCHG	ISENSE														ESMCSN1	ESMCSN0	T	
U	VDD_REF	REF1_EN	VSSRF	VBATSEN															SD_CLK1	KEYIN[5]	KEYIN[2]	KEYIN[0]	KEYIN[1]	U
V	REF_IN-	REF2_EN		VSS		VSSA	VSSA		EARP		HEADMICN		AIR1						MTDO	KEYOUT[6]	KEYIN[6]	KEYIN[4]	KEYIN[3]	V
W	REF_IN+	REF1_OUT	VSS	OUTPPA	OUTNPA	VBATPA	VSSA	VSSDC	EARN	MICBIAS	VCOM	HEADMICP	AIL1		VDD25	VMEM	MTCK	MTRSTN	KEYOUT[2]	KEYIN[7]	KEYOUT[5]		W	
Y	VSS	REF2_OUT	VSS	OUTPPA	OUTNPA	VBATPA	VBATBUCK	LX	VSSDC	HEADMICIN	VDDAO	MICN	RTC32K_I	VDDRTC		VMEM	MTMS	MTDI		KEYOUT[4]	KEYOUT[3]	NC	Y	
AA	VSS	VSS	VDDPA	OUTPPA	OUTNPA	VBATPA	VBATBUCK	LX	VFB	AVDDVB		MICP	RTC32K_O	VBATBK		VSS			KEYOUT[0]	KEYOUT[1]	NC	NC	AA	