



# GSM TELEPHONE

GT-B5330

*Service Schematic*

## GSM TELEPHONE

## CONTENTS



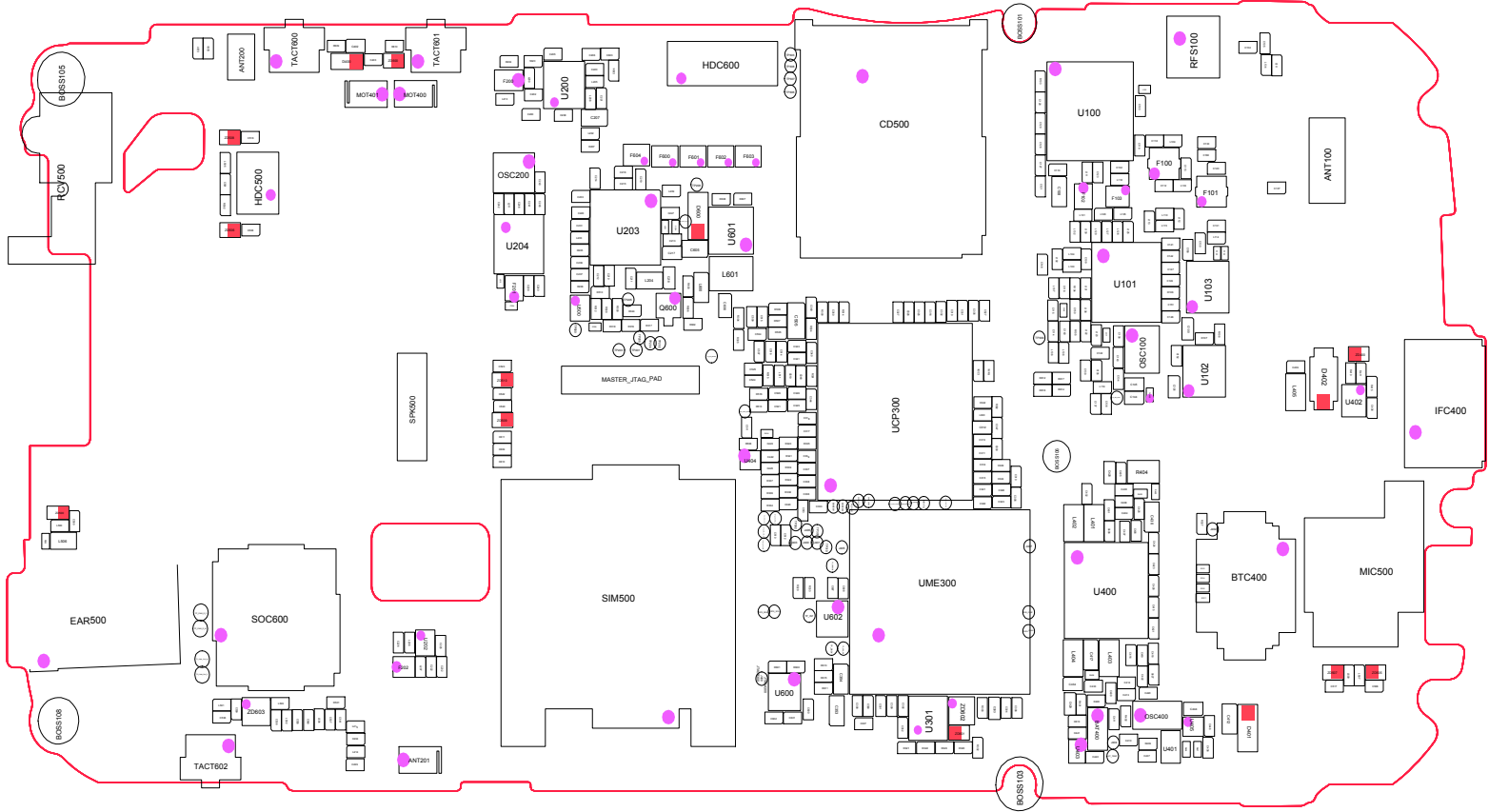
1. Cover
2. PCB Diagram
3. Service Schematic

### Notice :

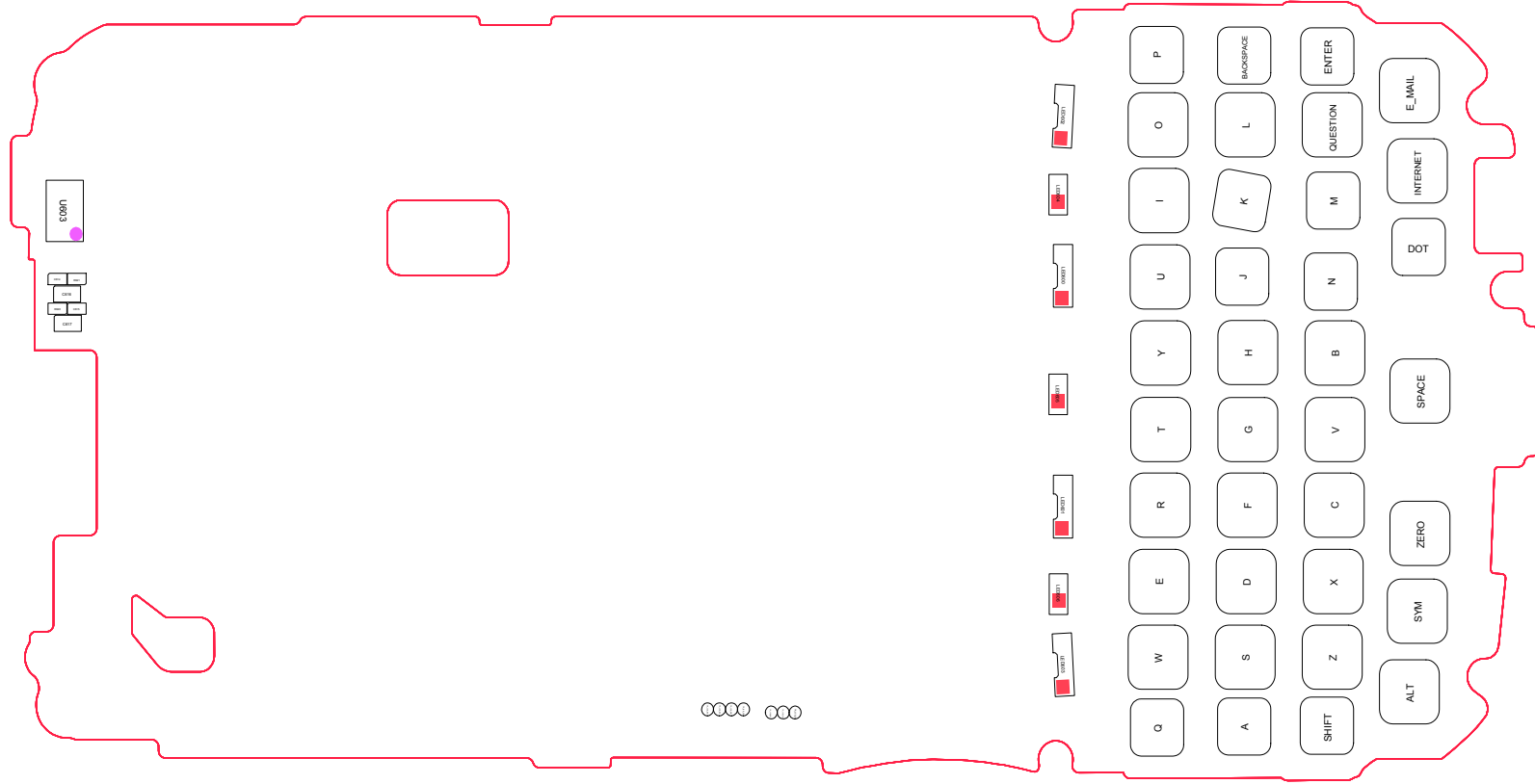
All functionality, features, specifications and other product information provided in this document including, but not limited to, the benefits, design, pricing, components, performance, availability, and capabilities of the product are subject to change without notice or obligation. Samsung reserves the right to make changes to this document and the product described herein, at anytime, without obligation on Samsung to provide notification of such change.

# PCB Diagrams

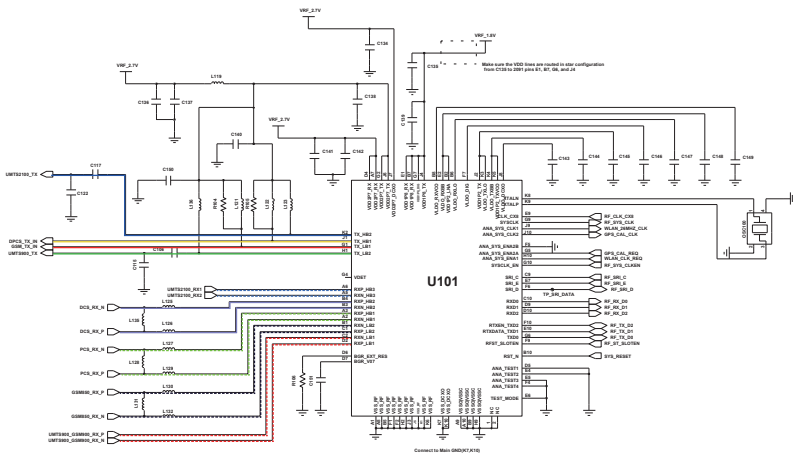
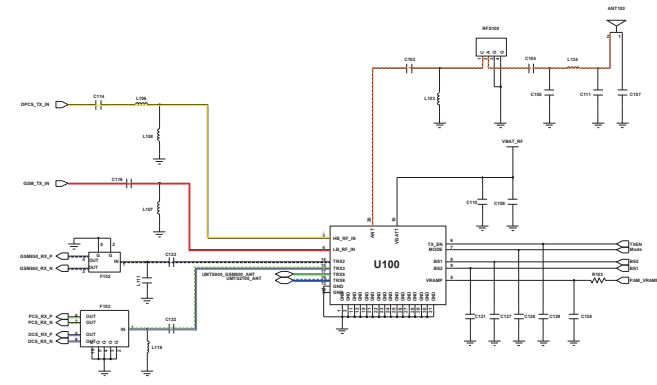
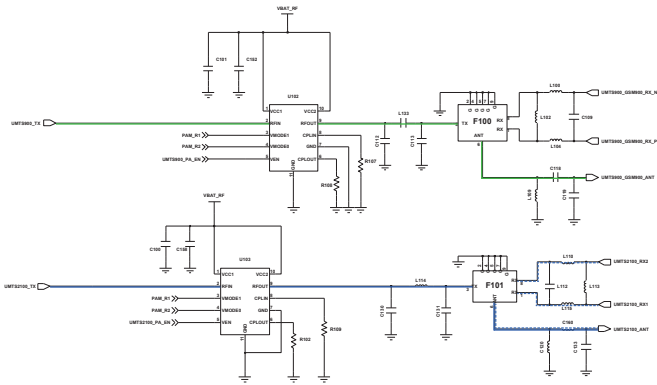
## Top



# Bottom



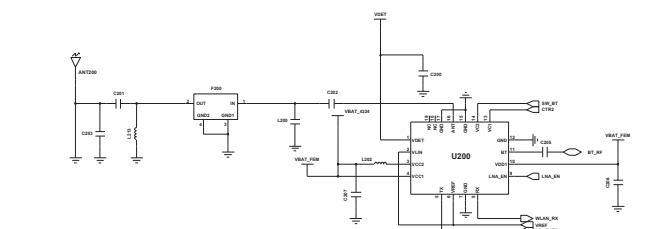
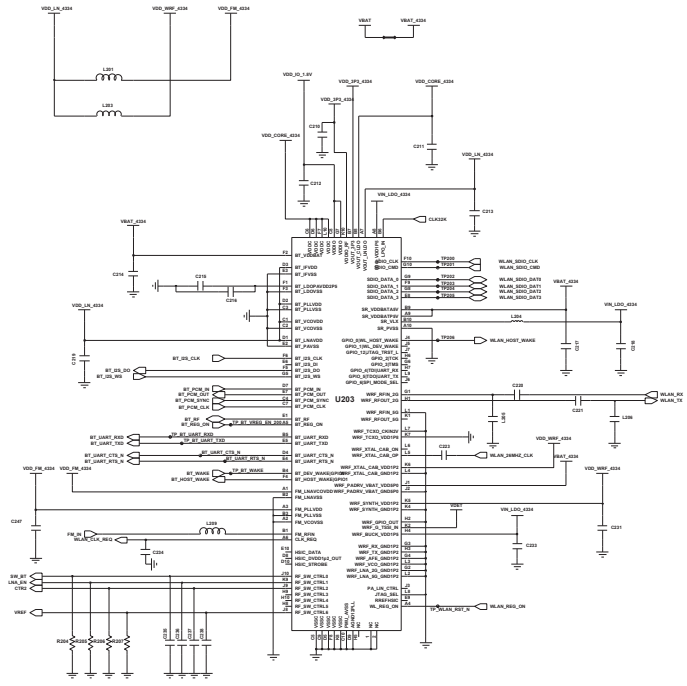
# Service schematics



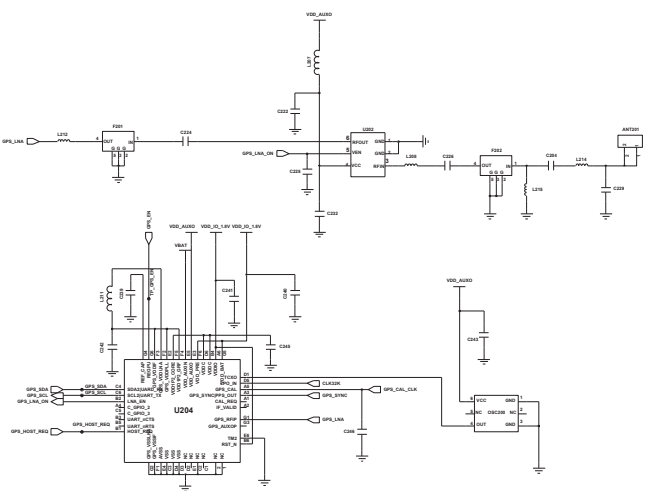
CONTROL	TXEN	Mode	BS2	BS1
STAND BY	L	L	L	L
GSM900 TX	L	L	L	H
GSM900/1800 RX	L	L	H	L
WCDMA TX / GSM900 RX	L	H	L	H
WCDMA TX	L	H	L	L
GSM900 TX	H	L	L	H
DCS1800 TX	H	L	H	L

- GSM 900 Tx
- Antenna path
- DCS / PCS Tx
- UMTS900 / GSM900 Tx
- UMTS1900 Tx
- GSM900 Rx
- DCS1800 Rx
- PCS1900 Rx
- DCS1800 Rx
- UMTS900 / GSM900 Rx

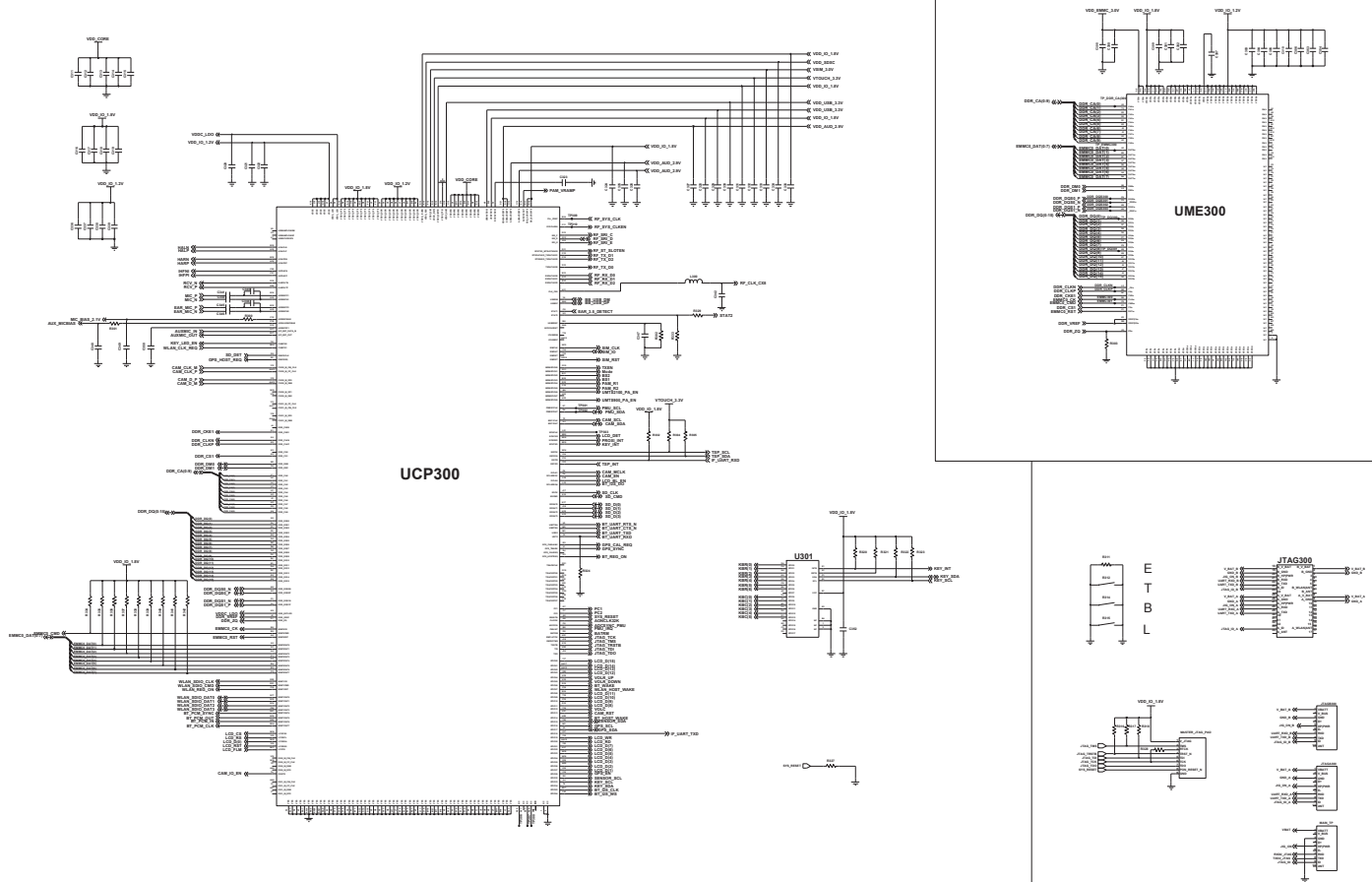
# Service schematics



MODE	CTR2	SW_BT	VREF	LNA_EN
RX_LANON	0	0	0	1
RX_BYPASS	0	0	0	0
WIFI_TX	1	0	1	0
BT_TX	0	1	0	0

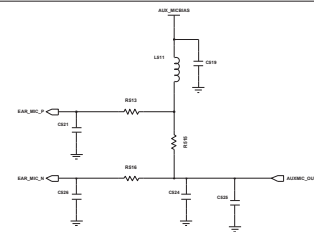
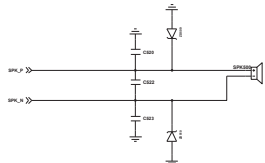
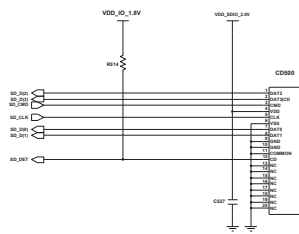
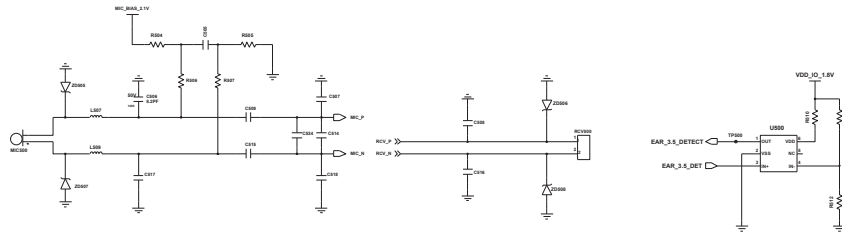
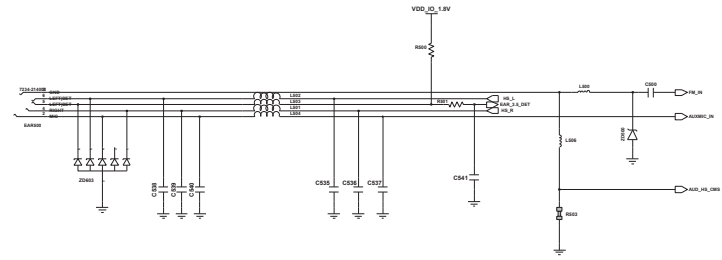
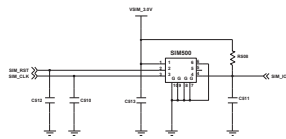
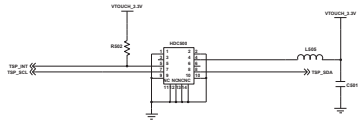


# Service schematics





# Service schematics





# Service schematics

