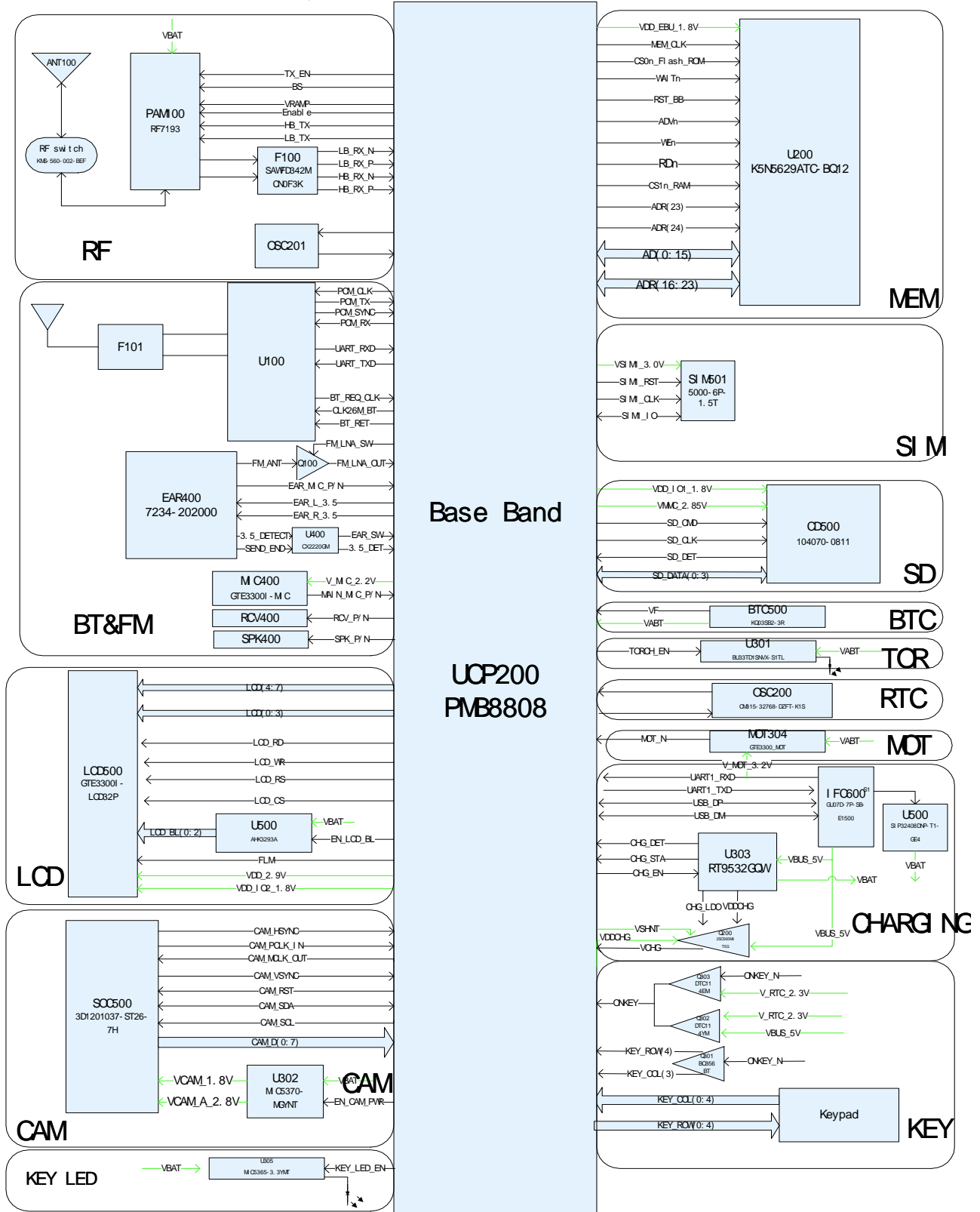


8. Level 3 Repair

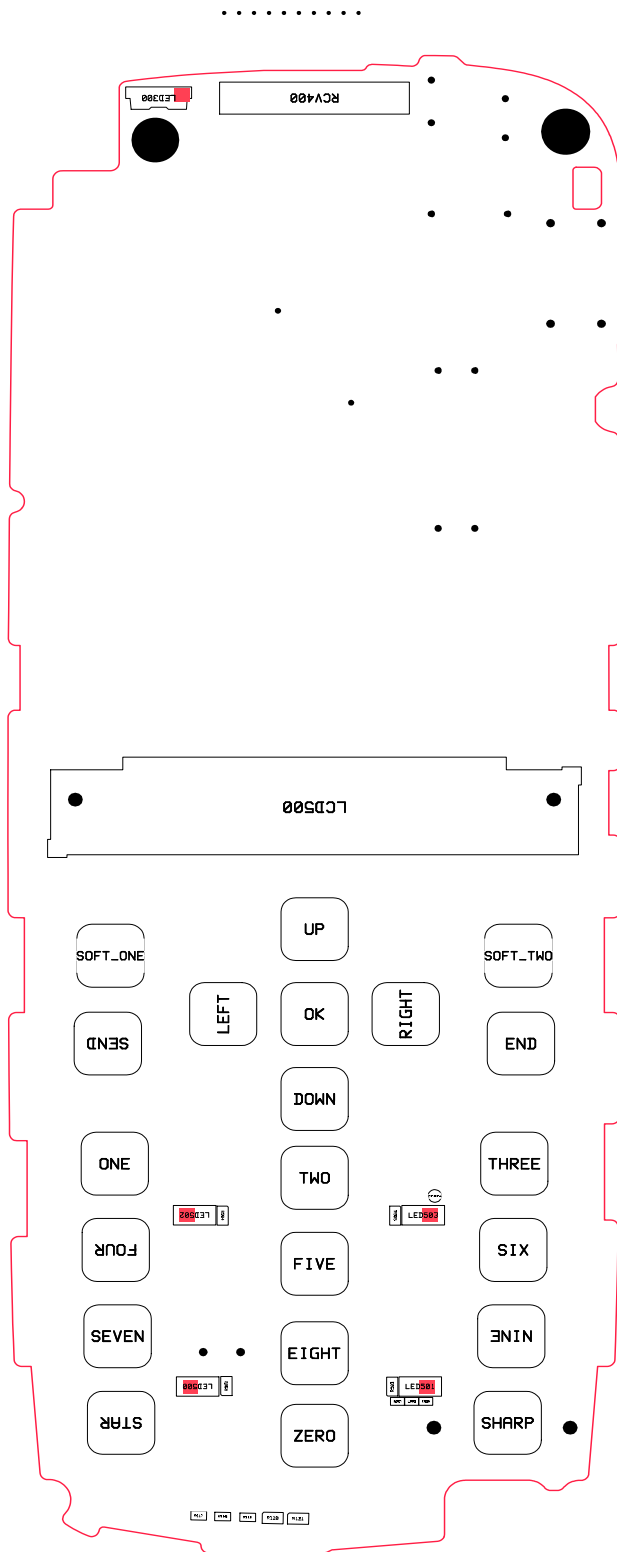
8-1. Block Diagram

SM B312EH Block Diagram

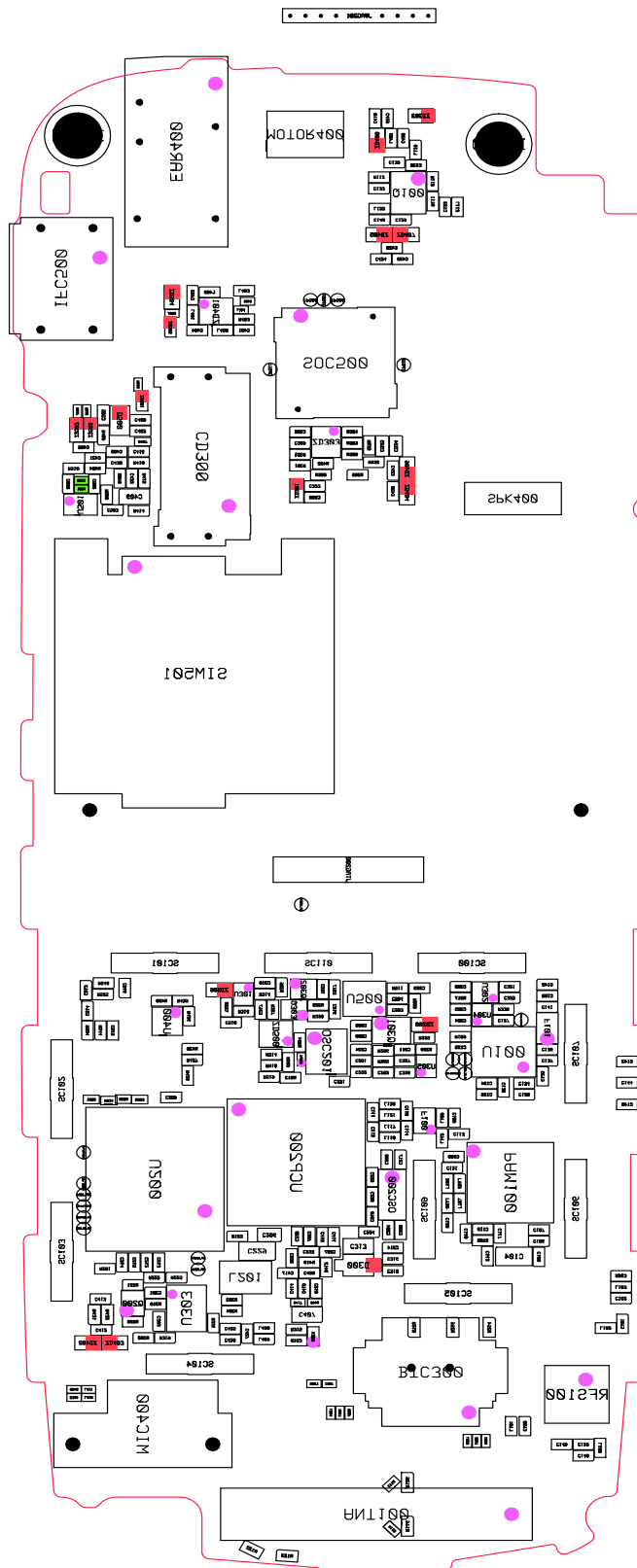


8-2. PCB Diagrams

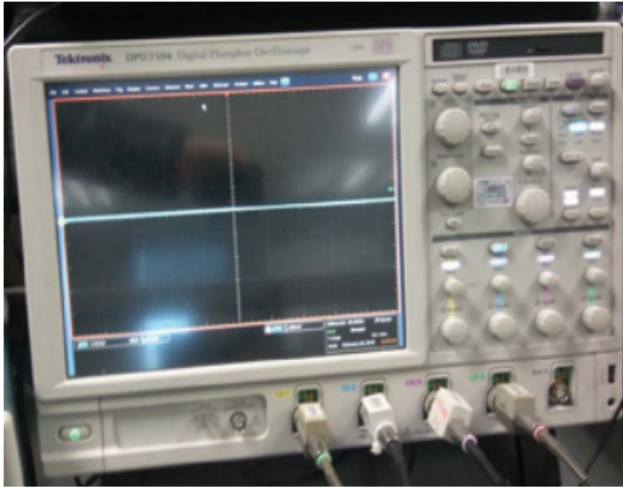
8-2-1. Top



8-2-2. Bottom



8-3. Troubleshooting Equipments



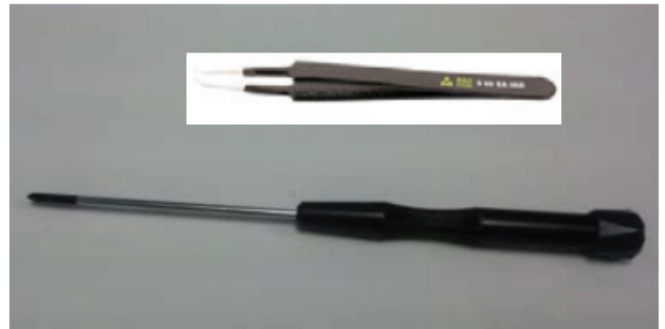
↑ Oscilloscope



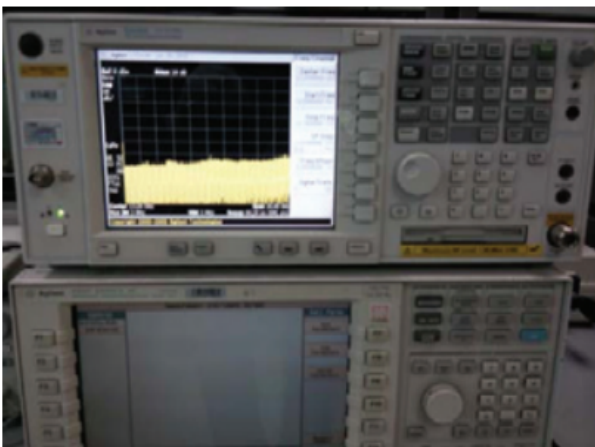
↑ Digital Multimeter



↑ Power Supply



↑ + driver, ESD Safe Tweezer

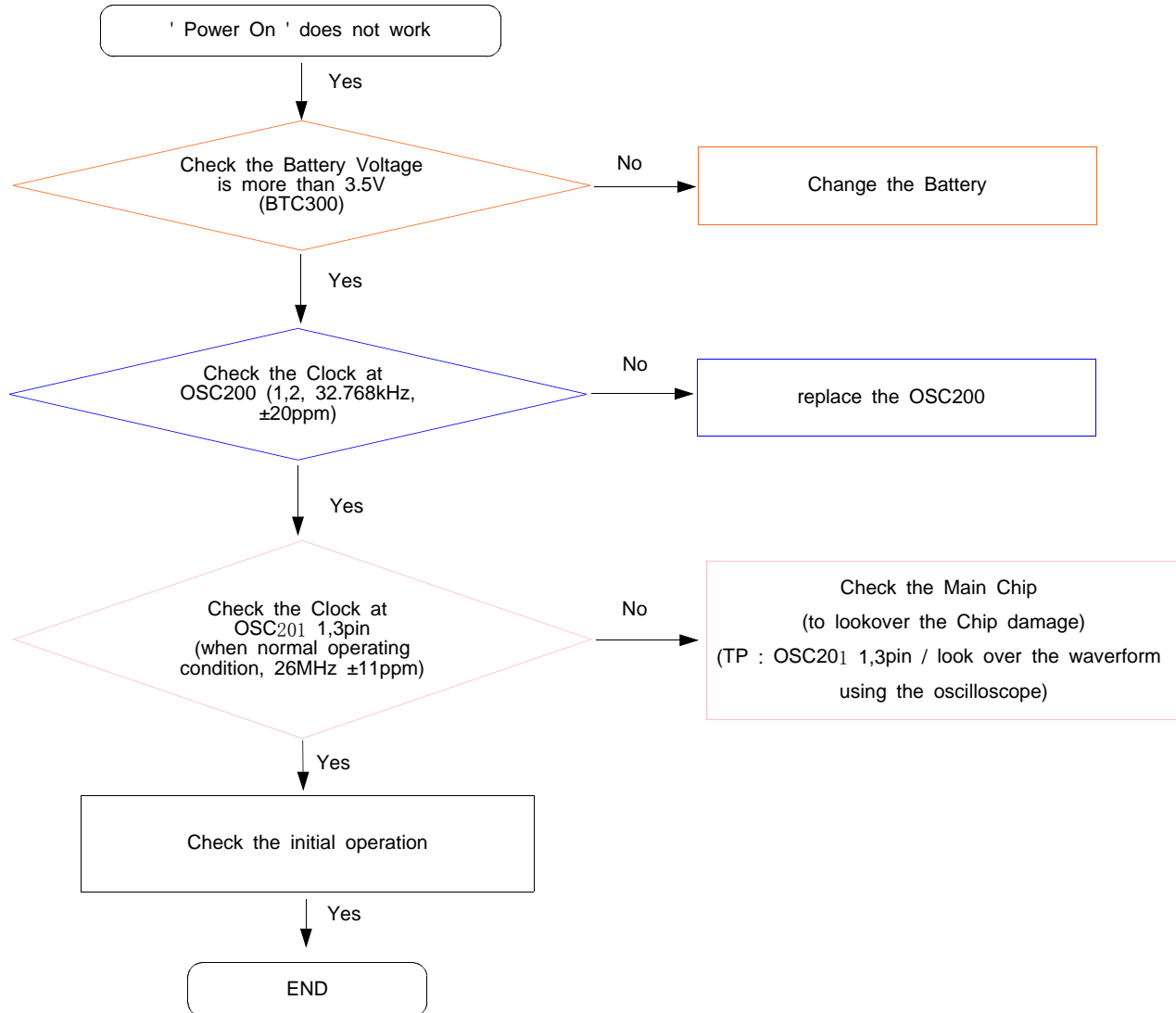


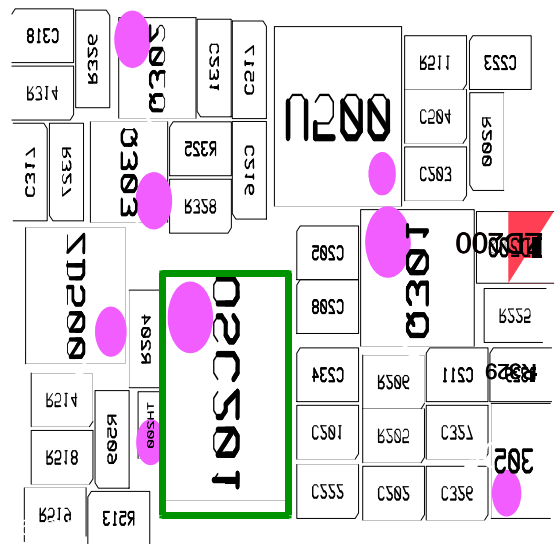
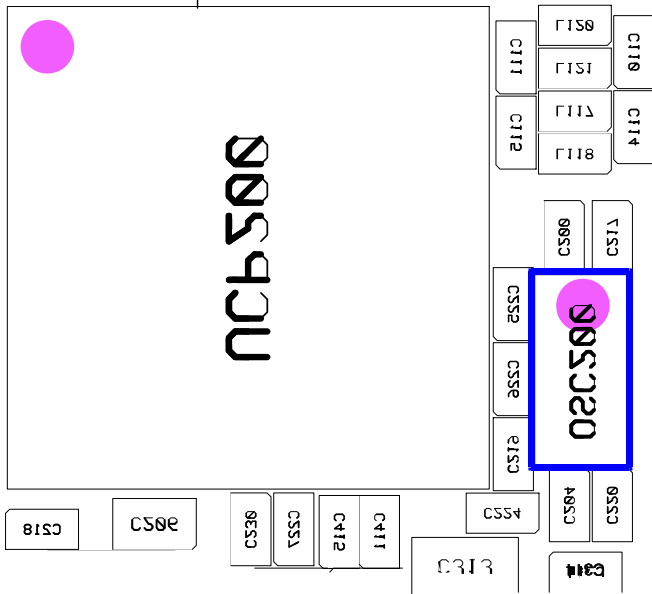
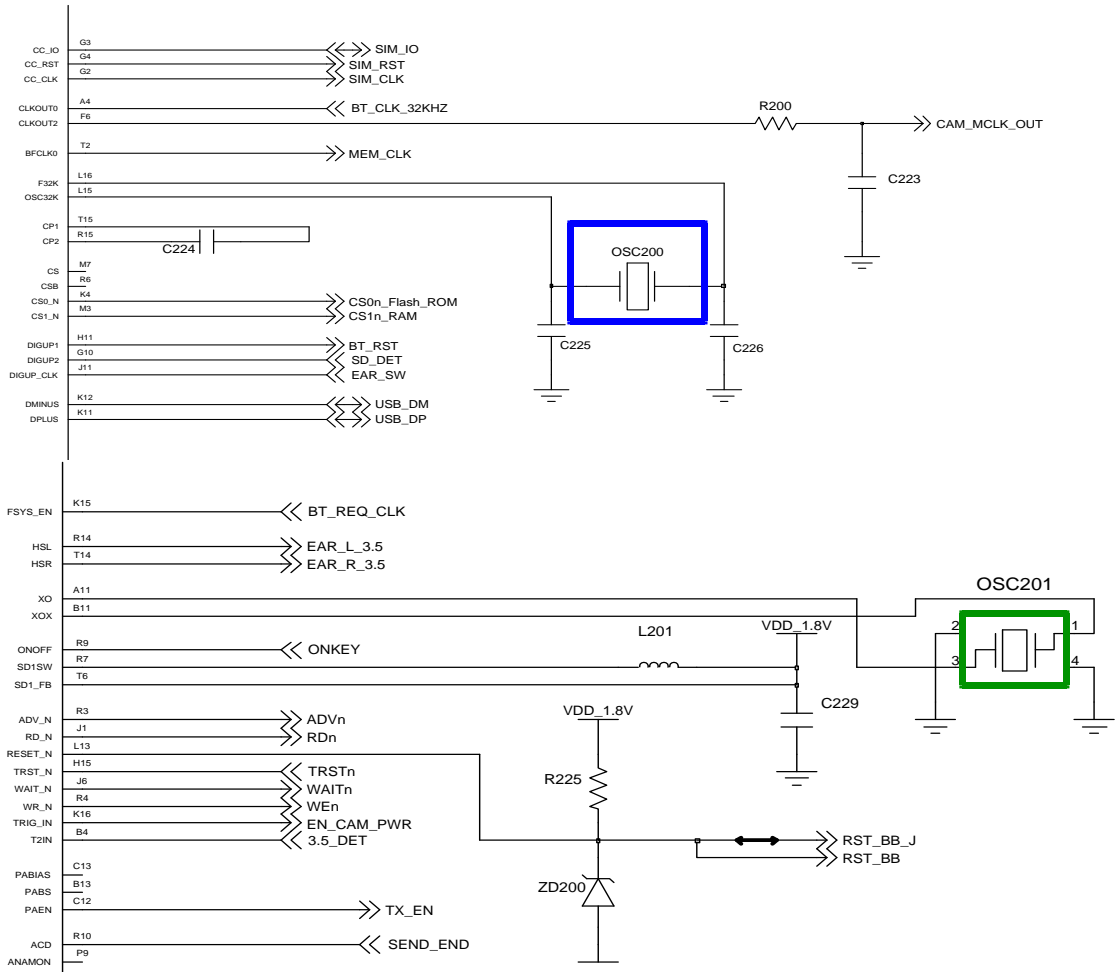
↑ 8960 & Spectrum Analyzer



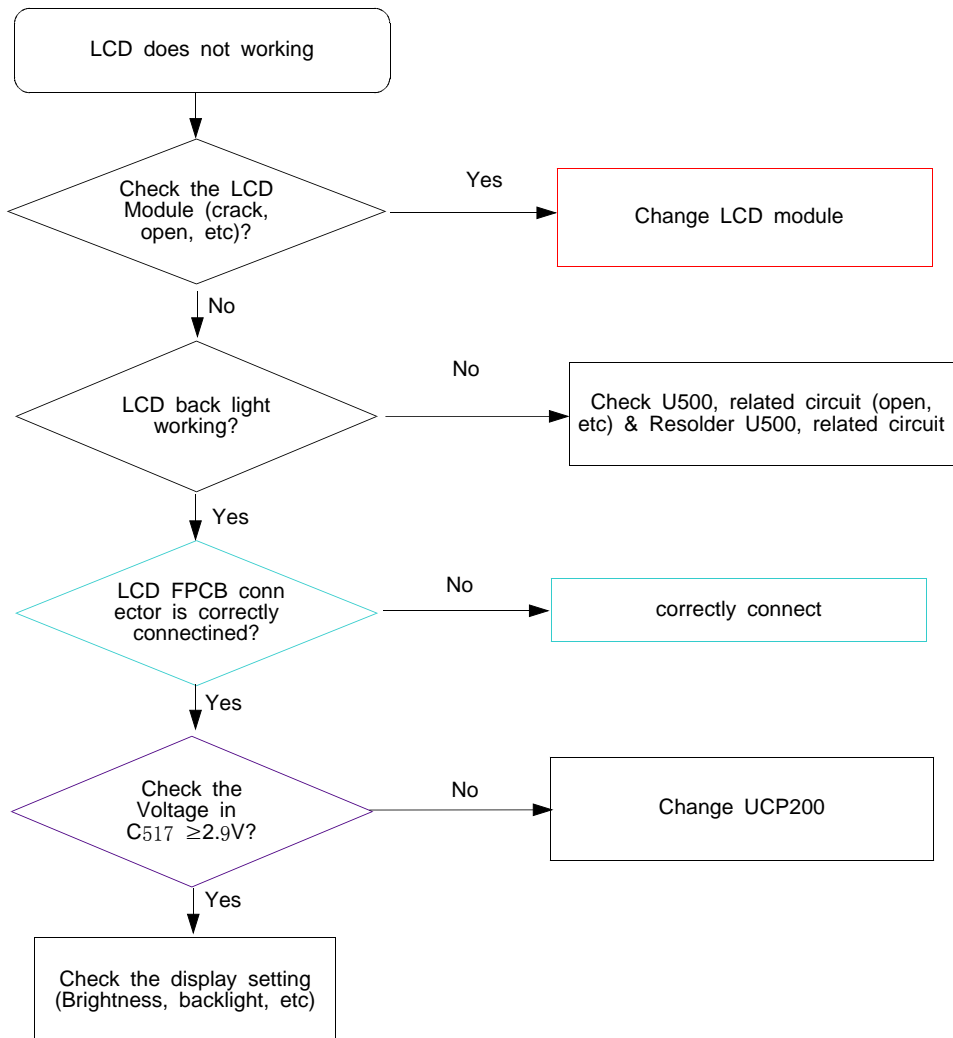
↑ Soldering iron

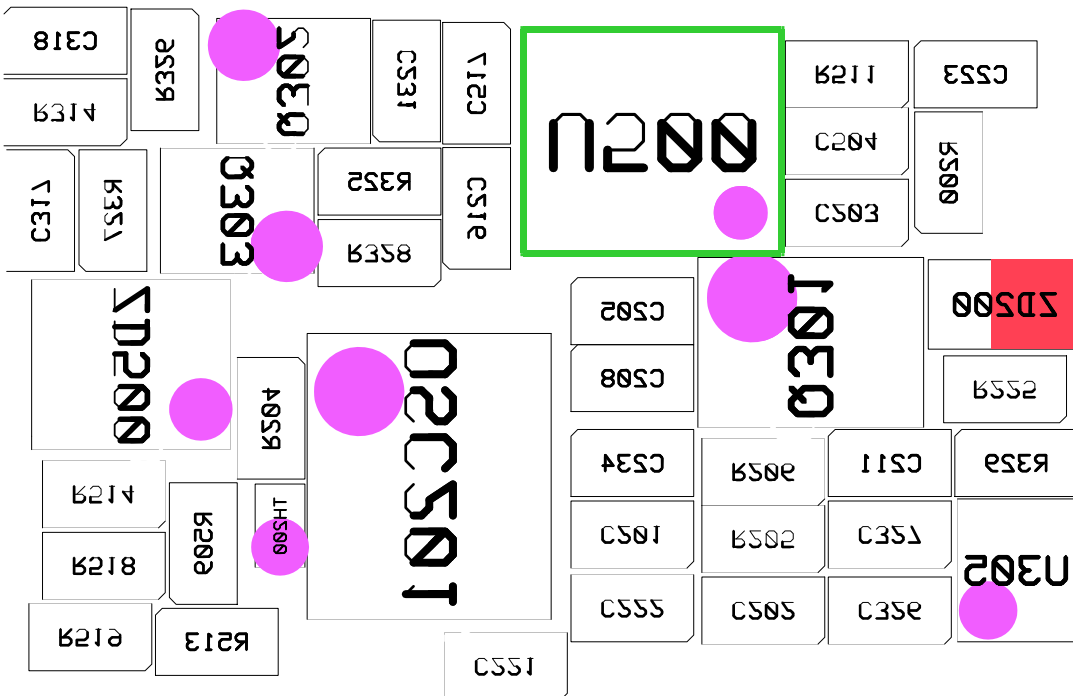
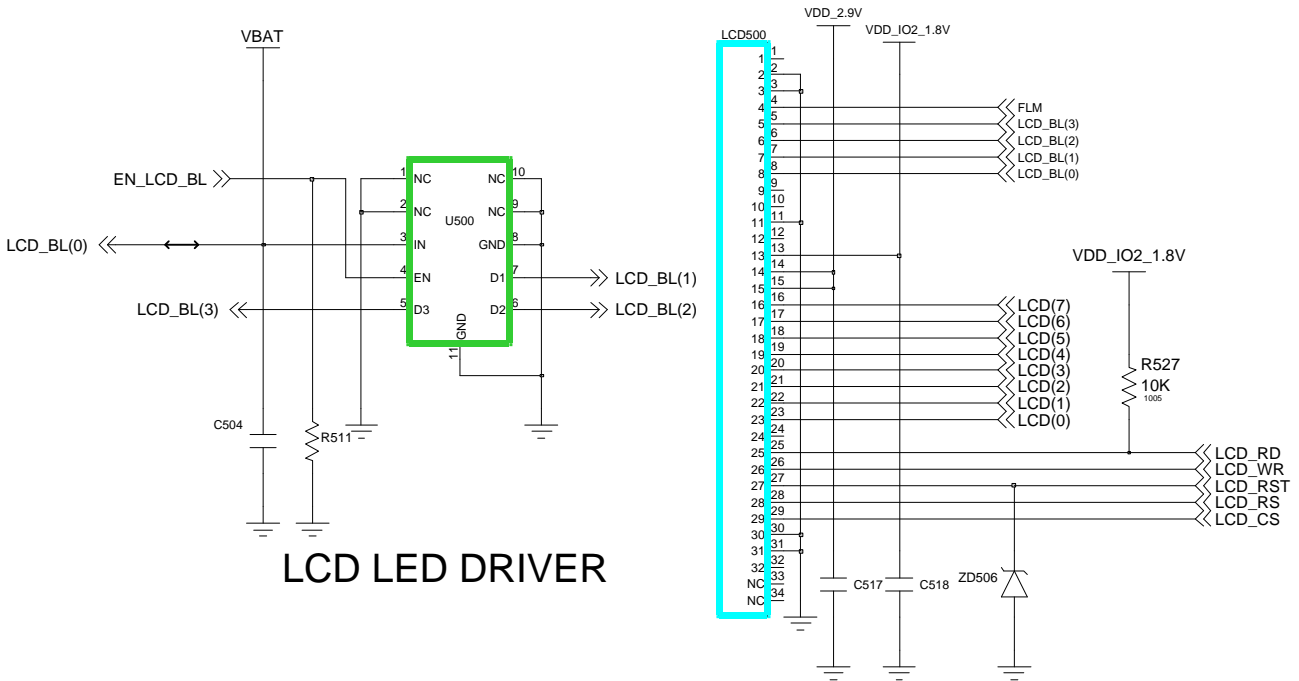
8-3-1. LOGIC part
8-3-1-1. POWER ON



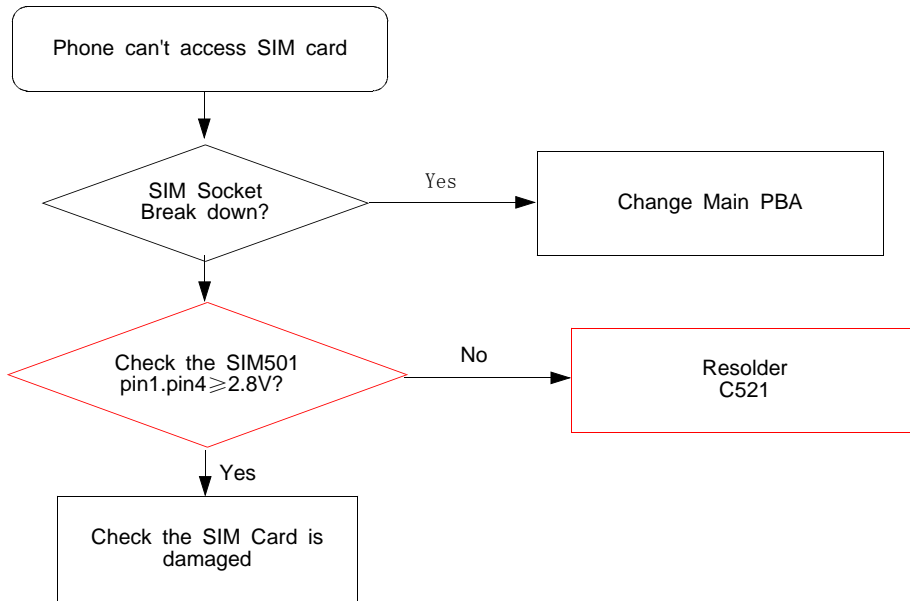


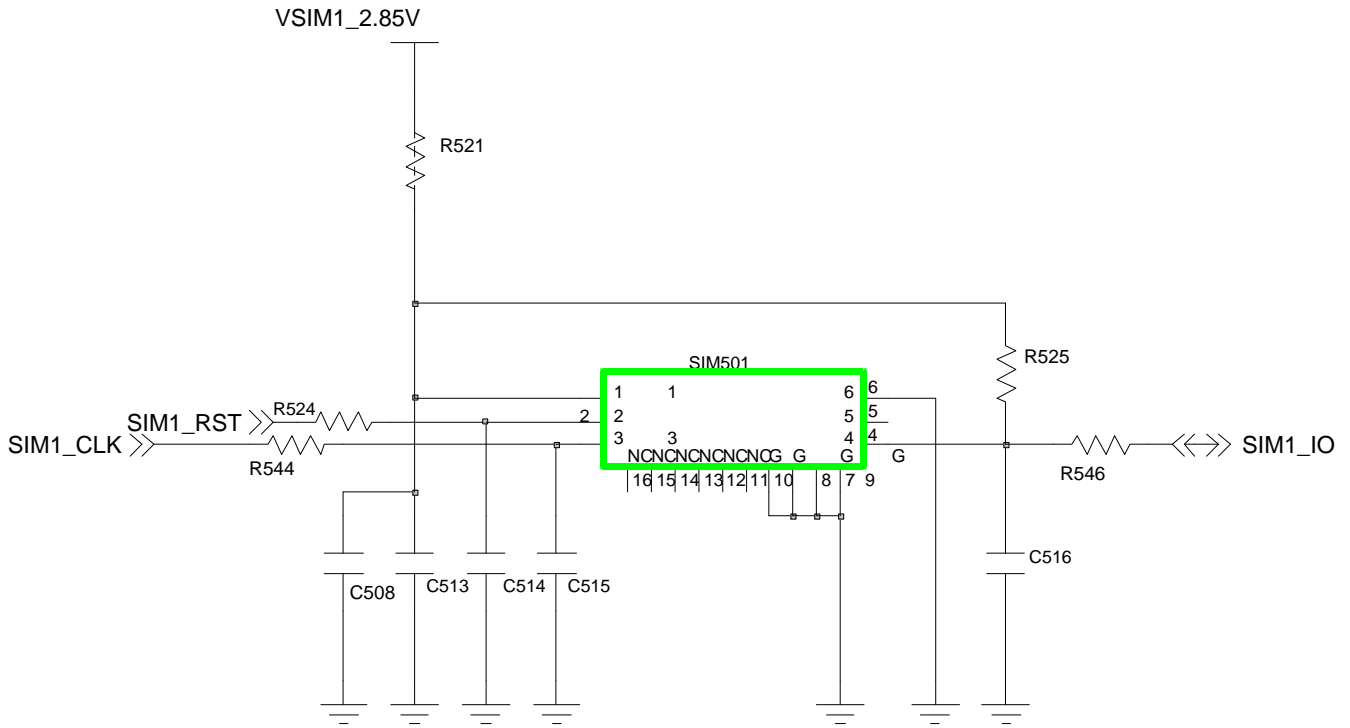
8-3-1-2. LCD Part



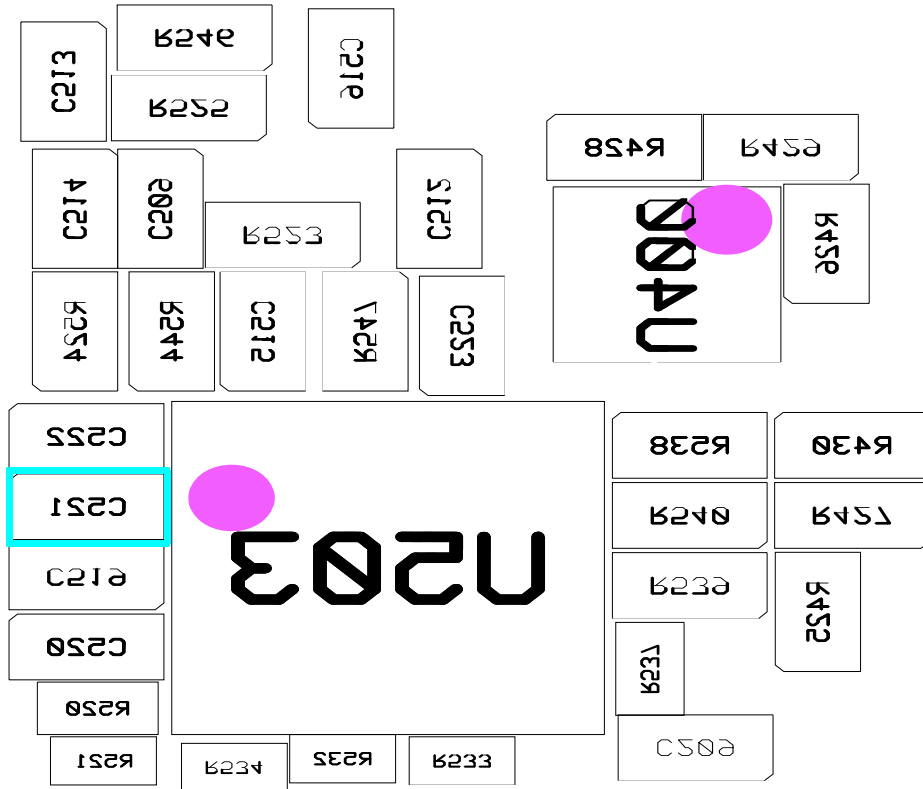


8-3-1-3. SIM Part

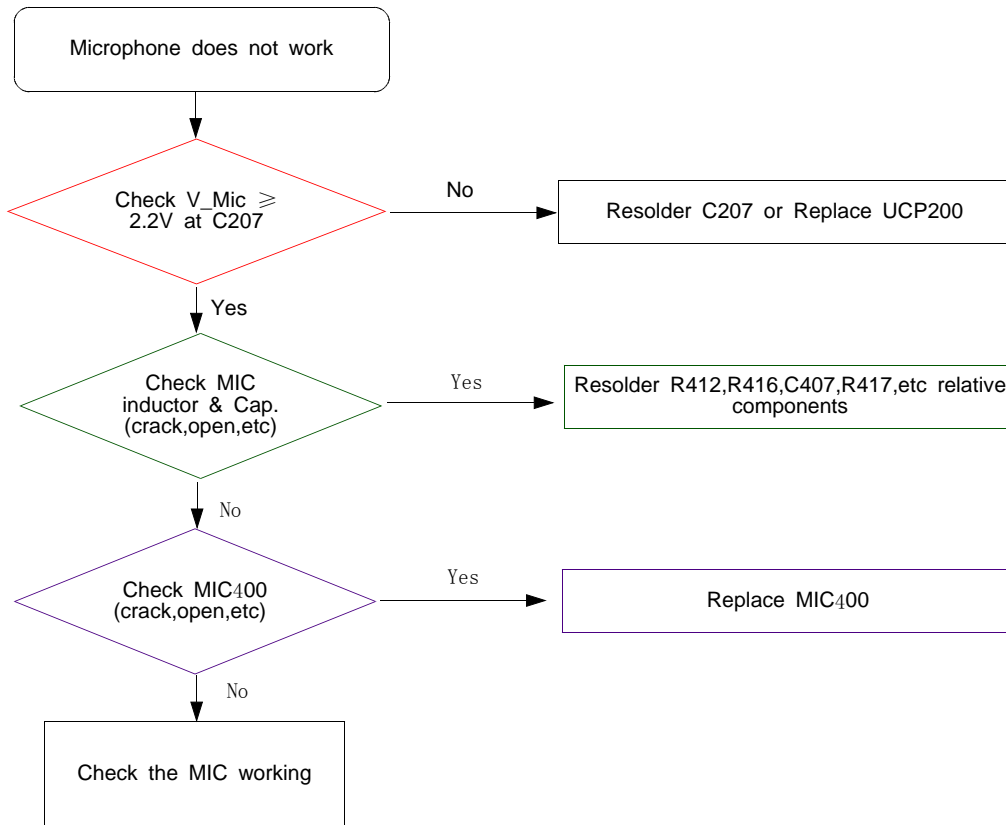


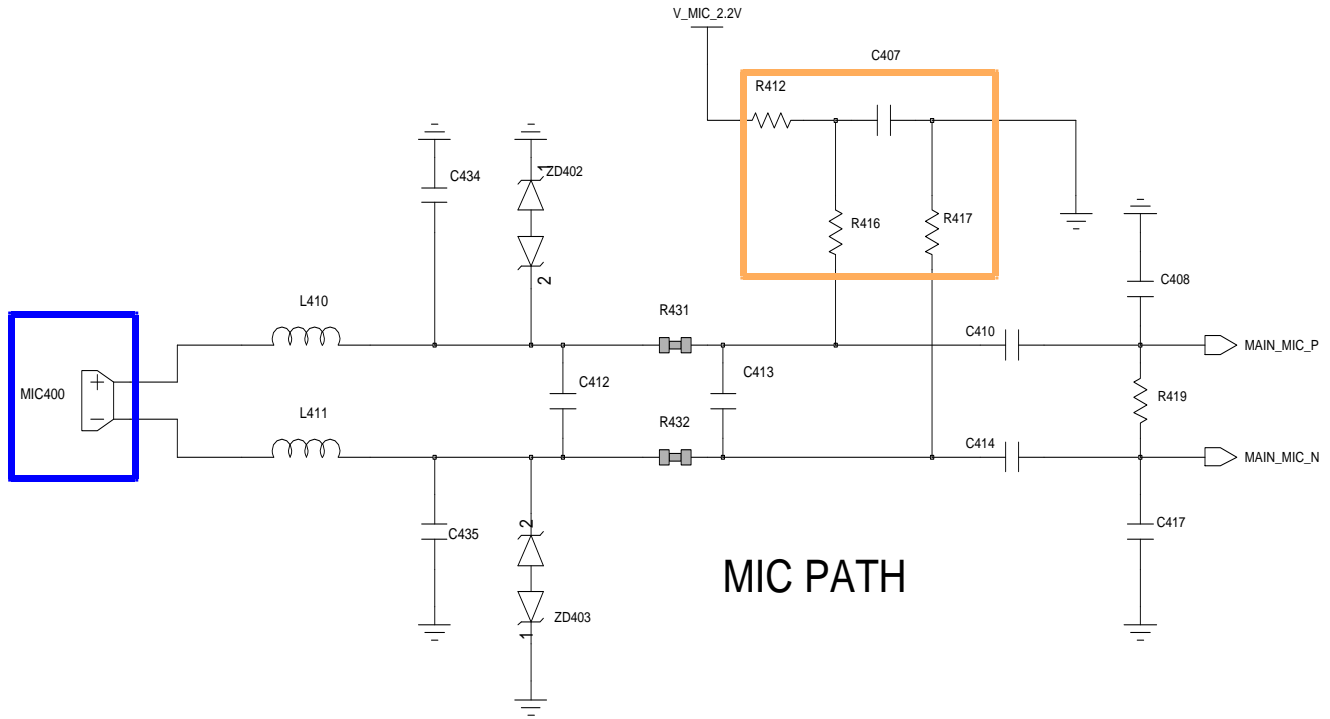
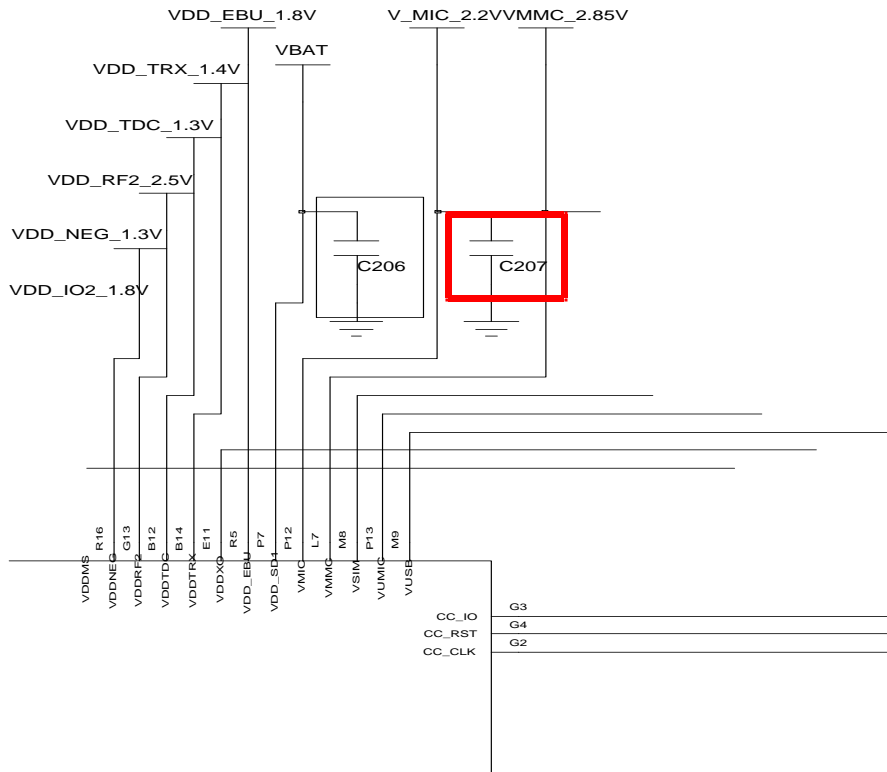


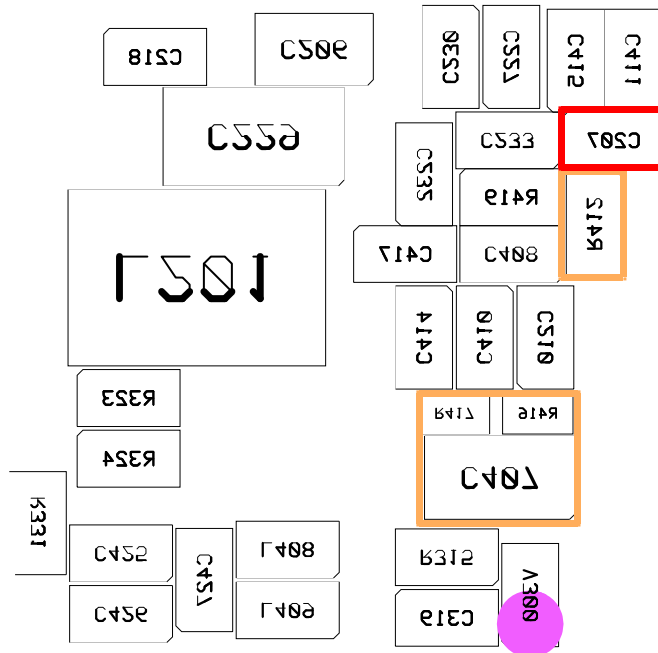
SIM1 CON



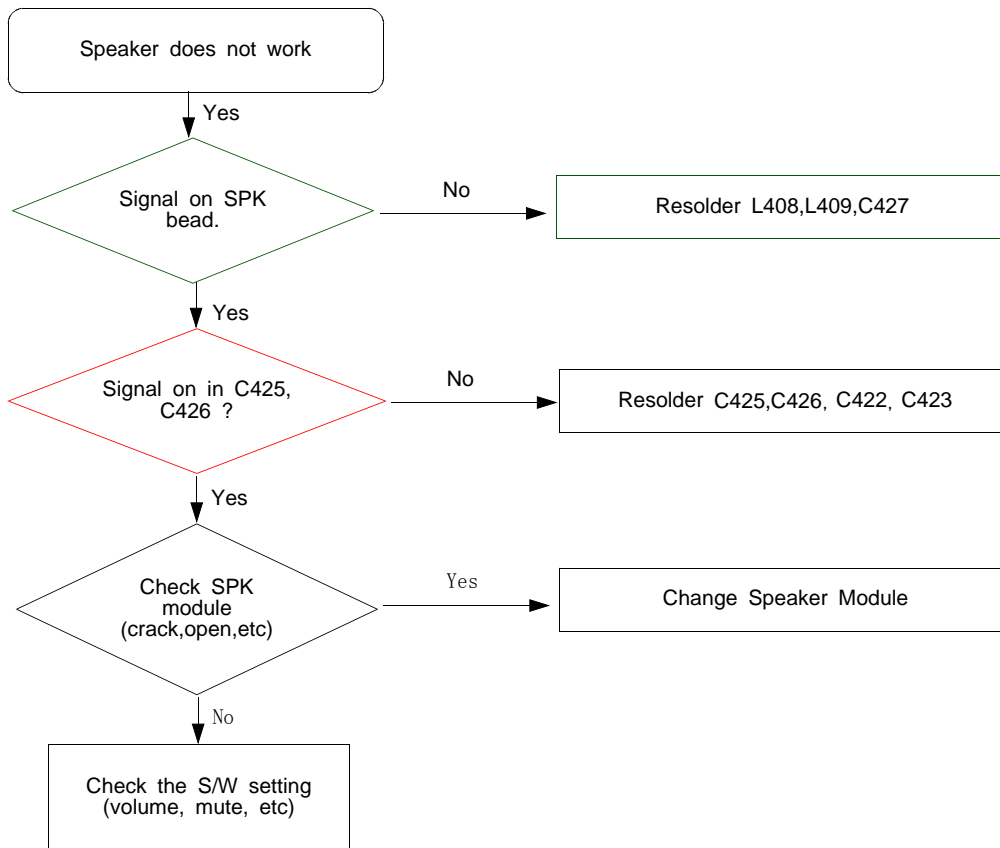
8-3-1-4. Microphone Part

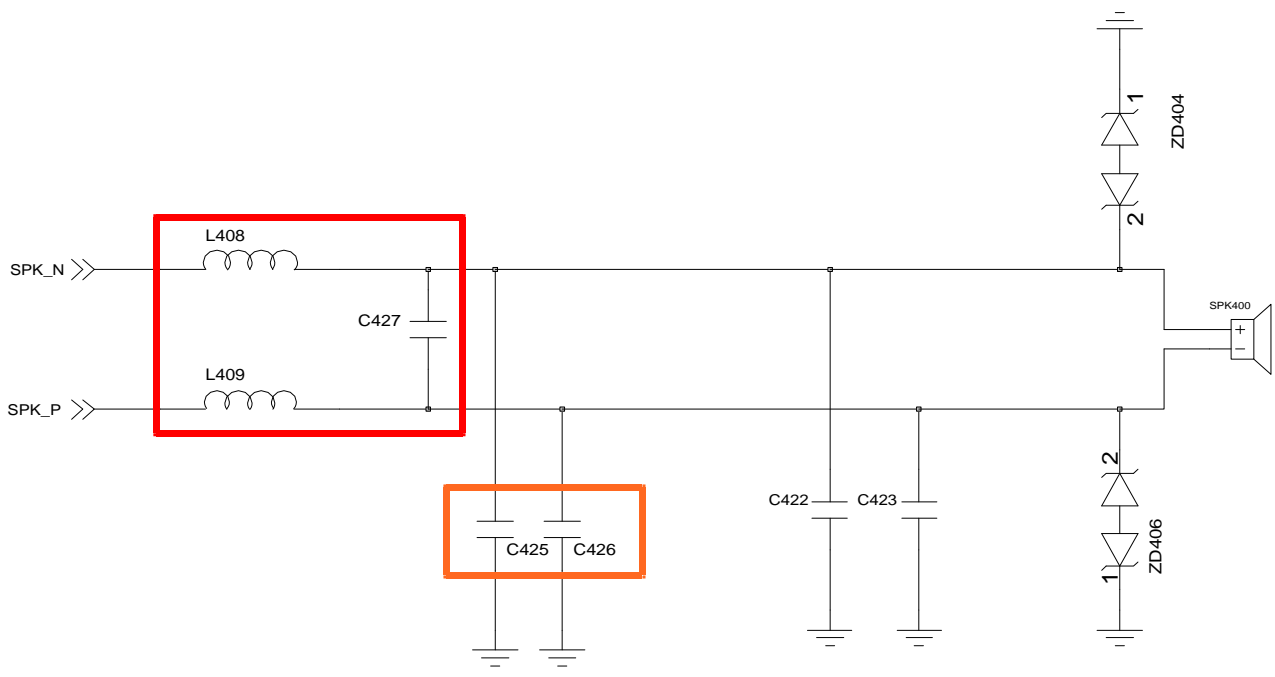




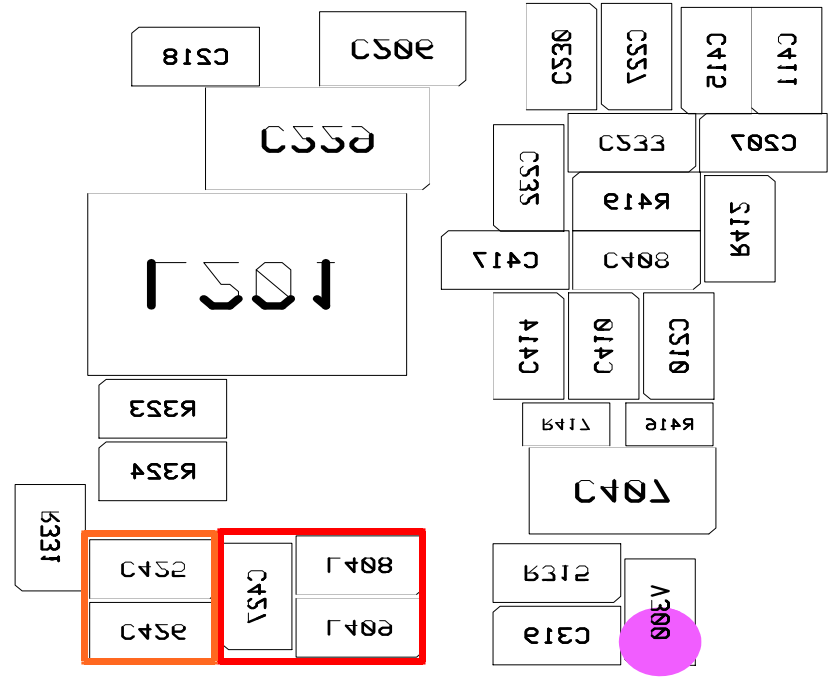


8-3-1-6. Speaker Part

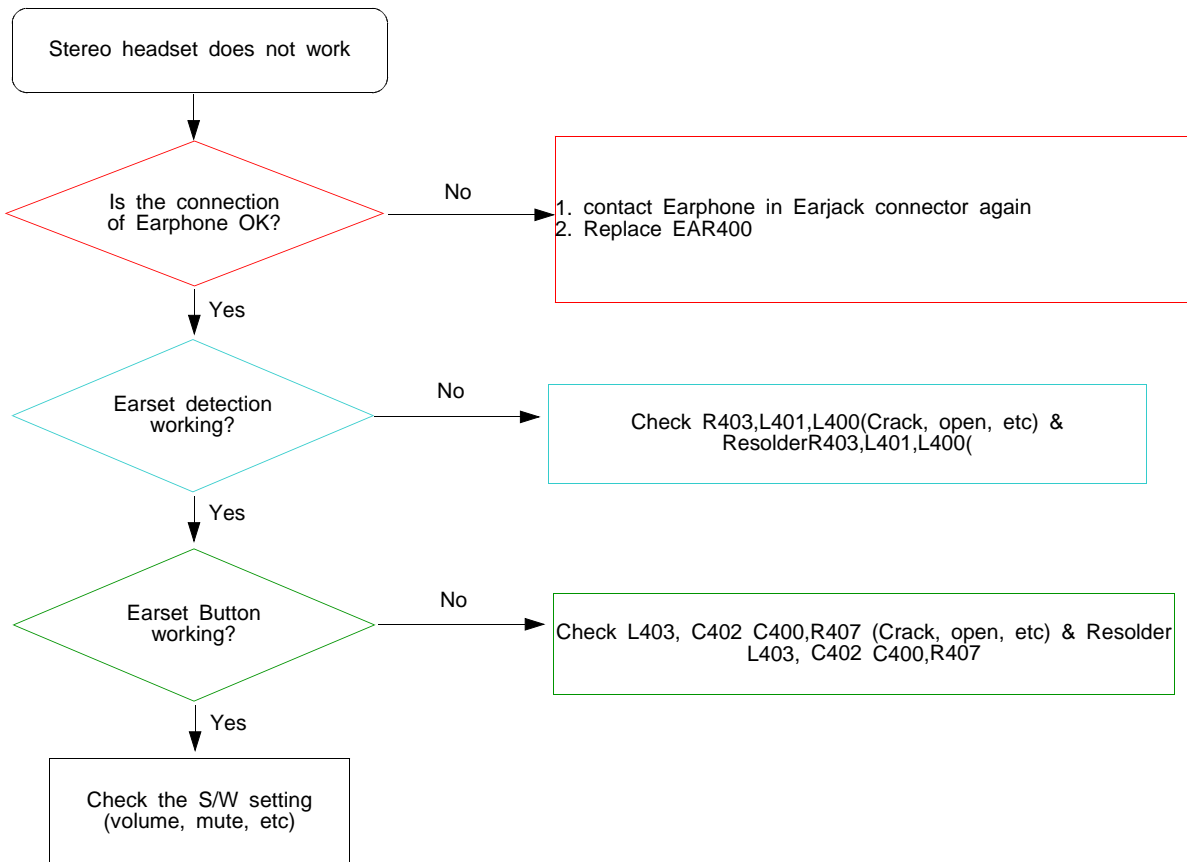


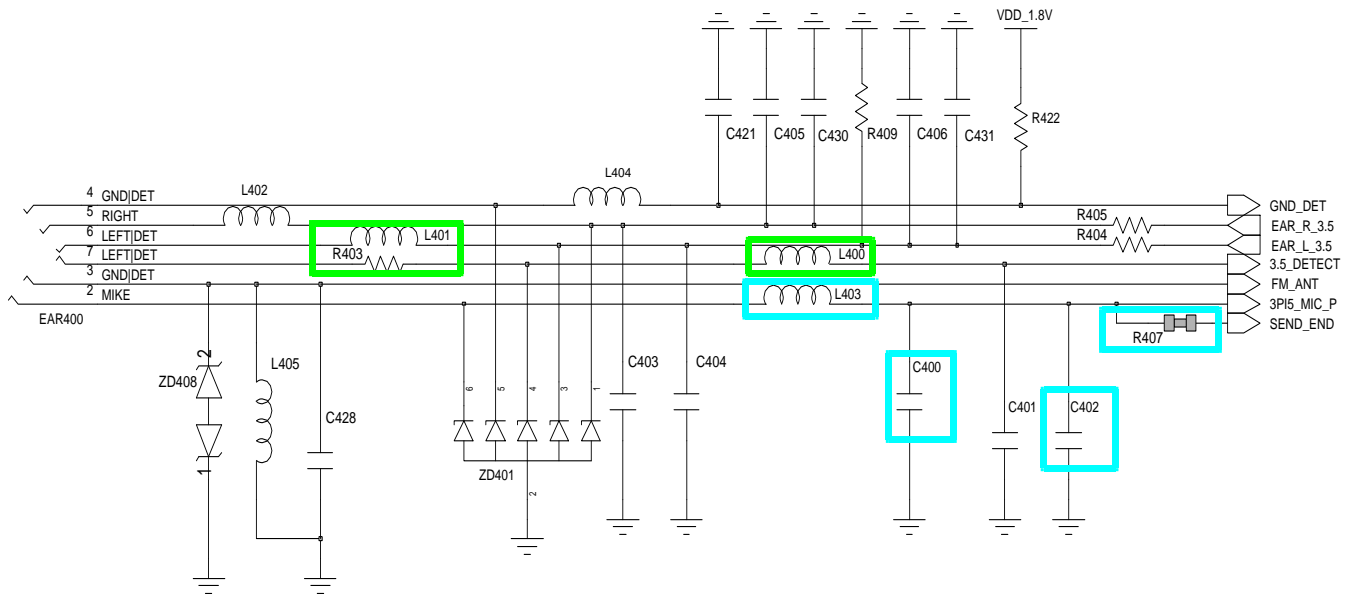


SPK

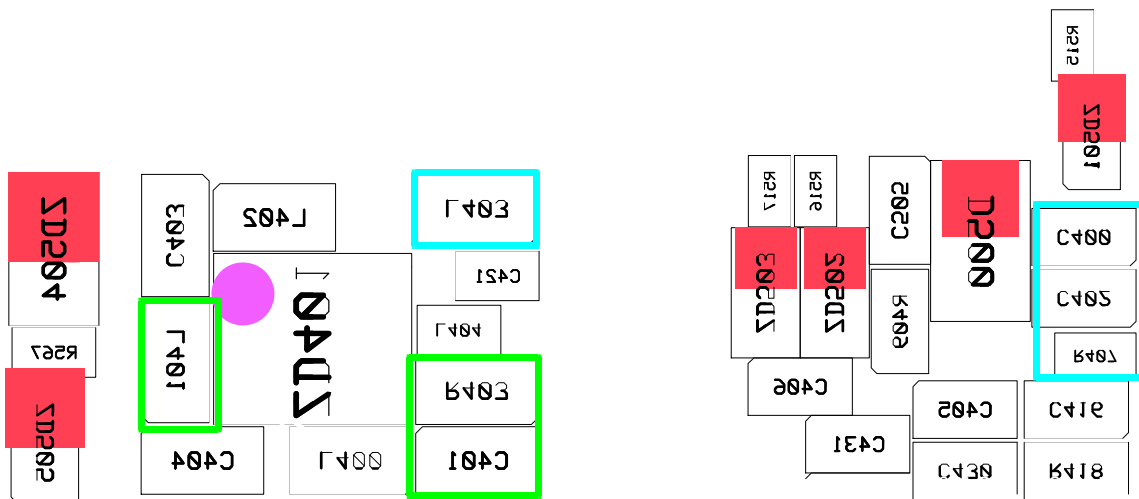


8-3-1-7. Stereo Headset Part

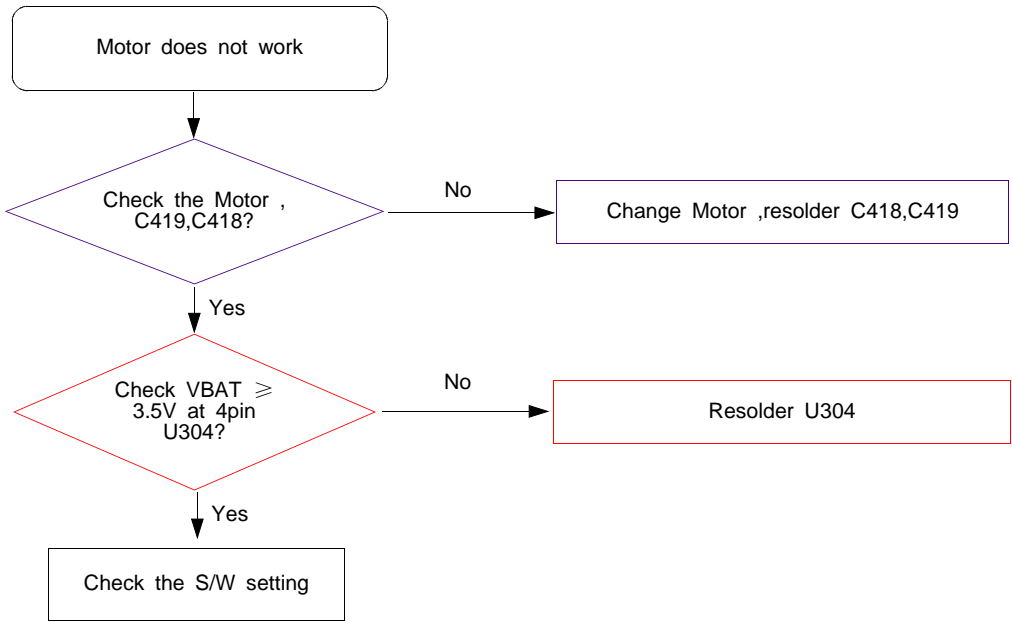


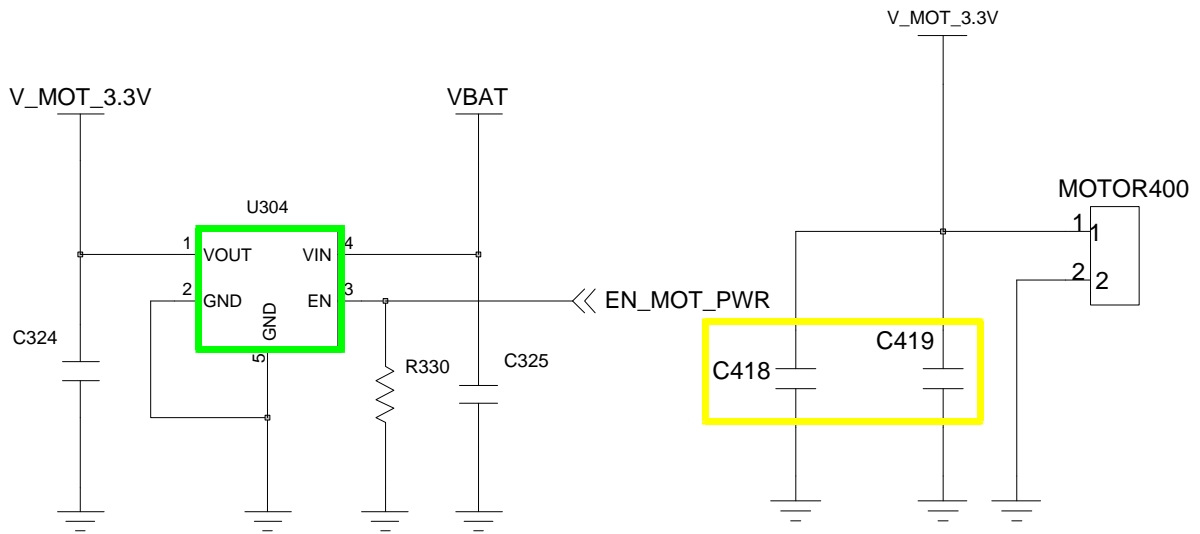


3.5 pi EAR JACK



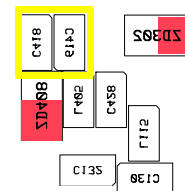
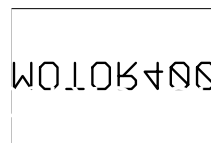
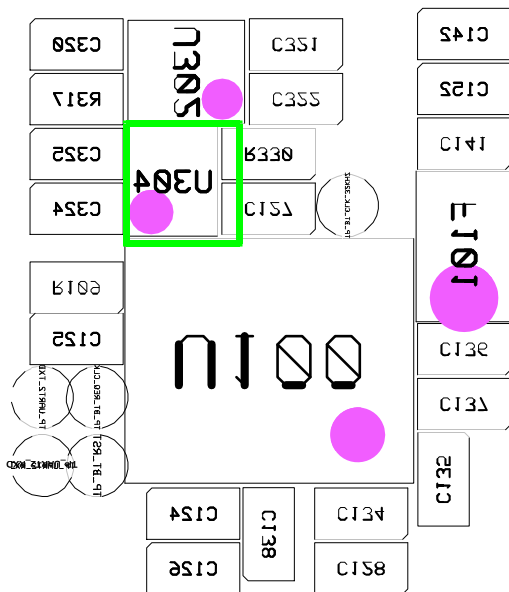
8-3-1-08. Motor Part



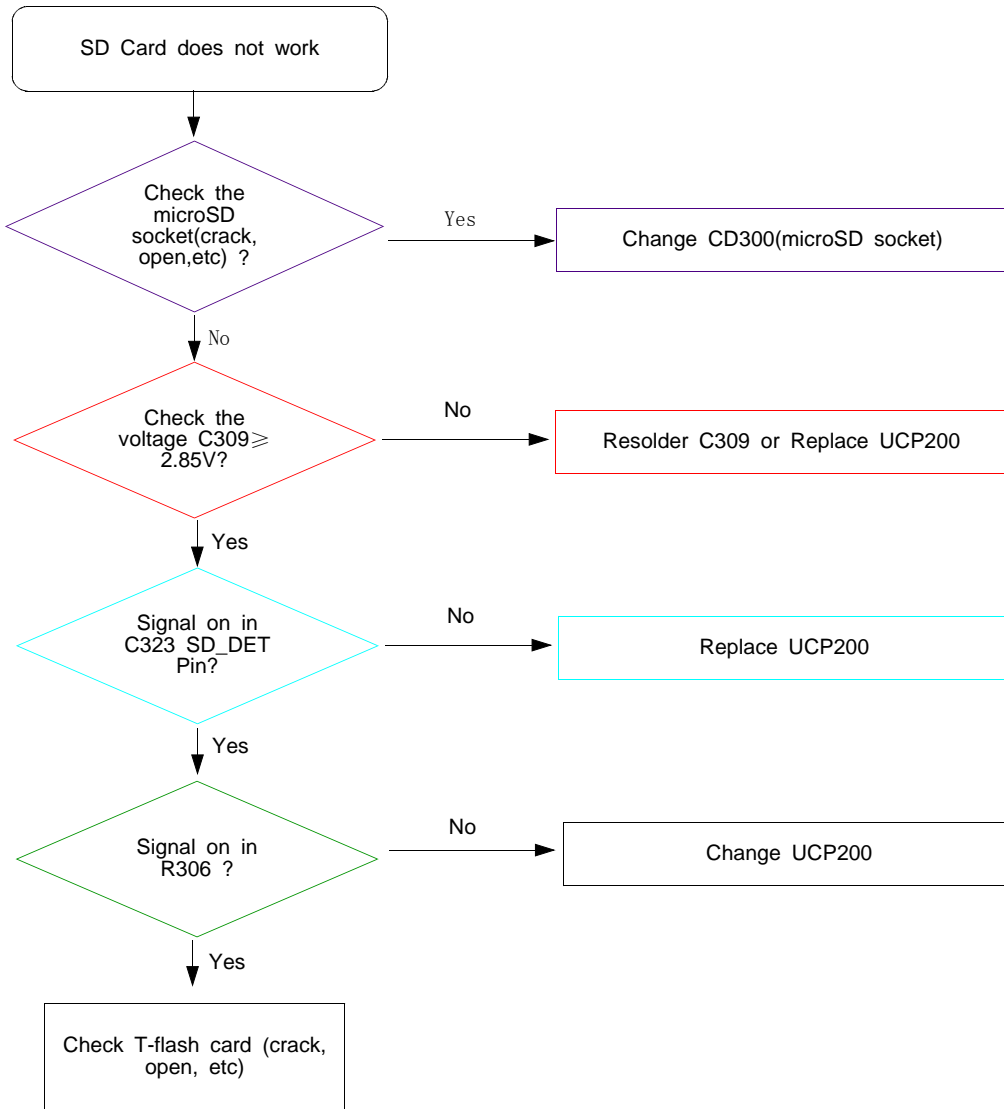


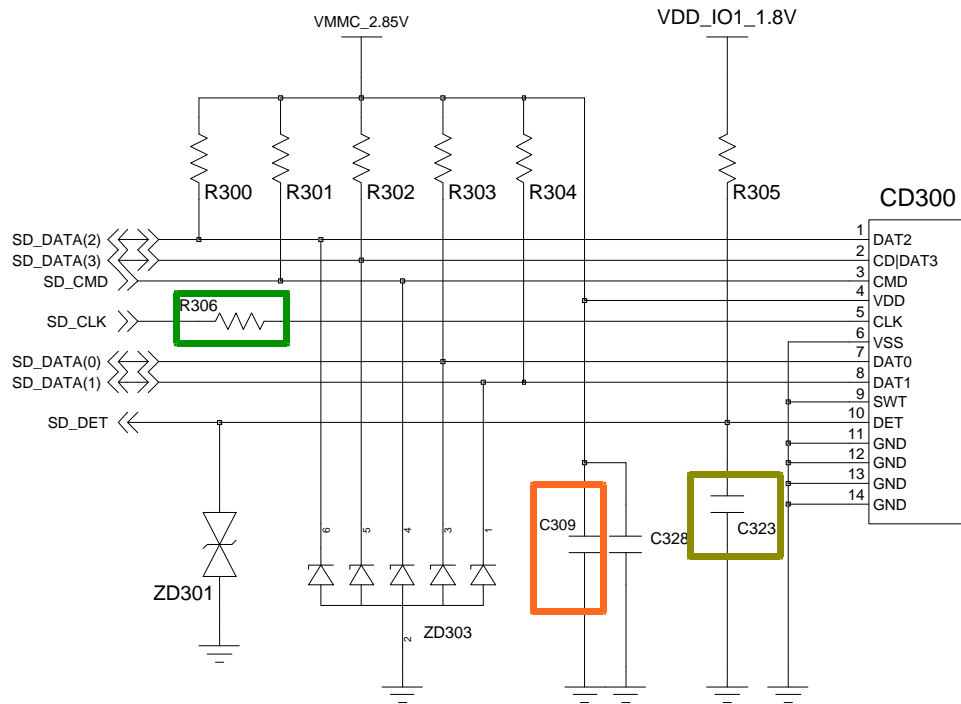
MOT LDO

MOTOR CON

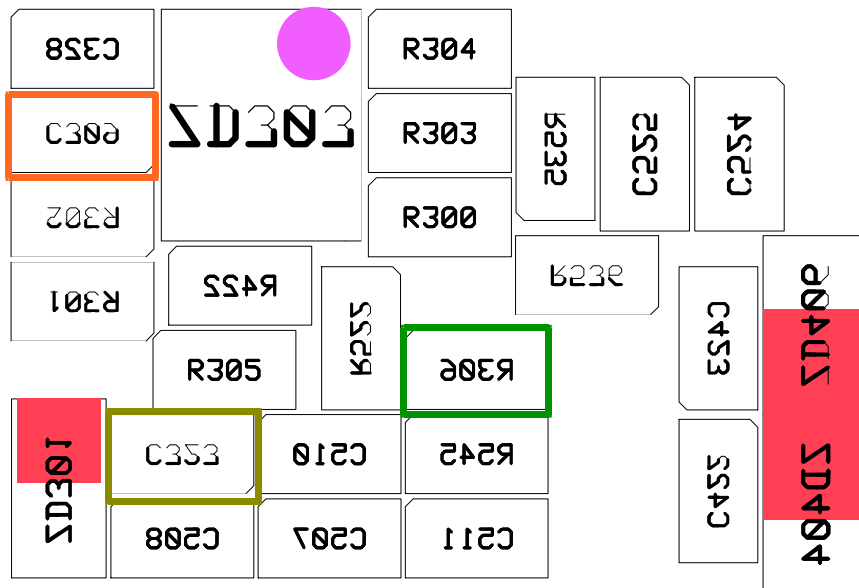


8-3-1-9. SD Card Part

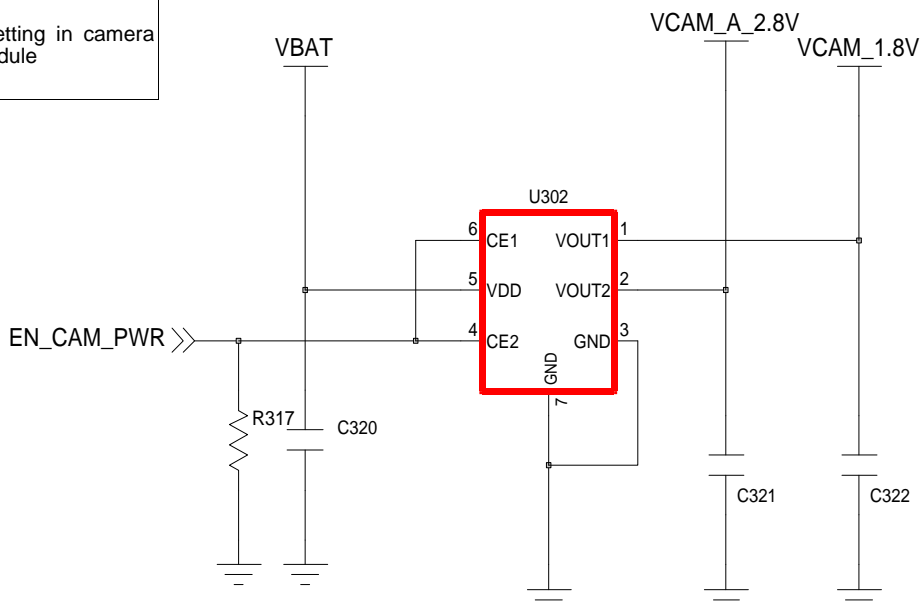
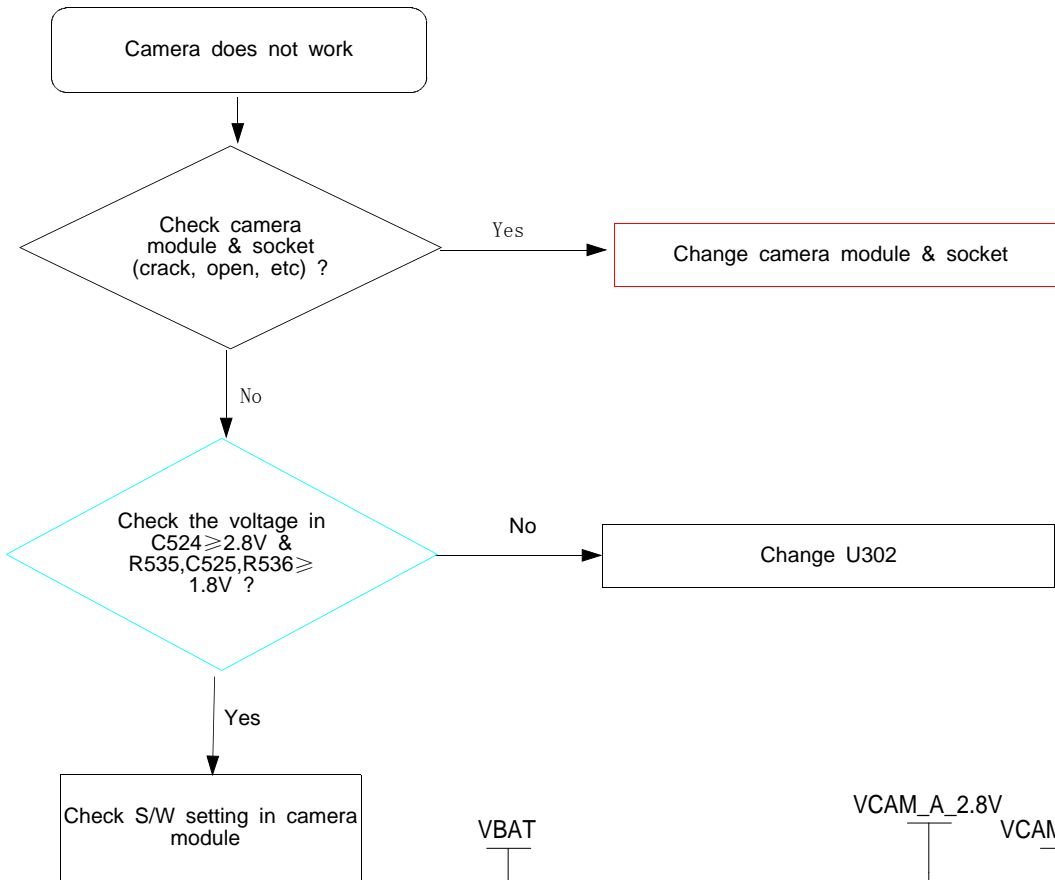




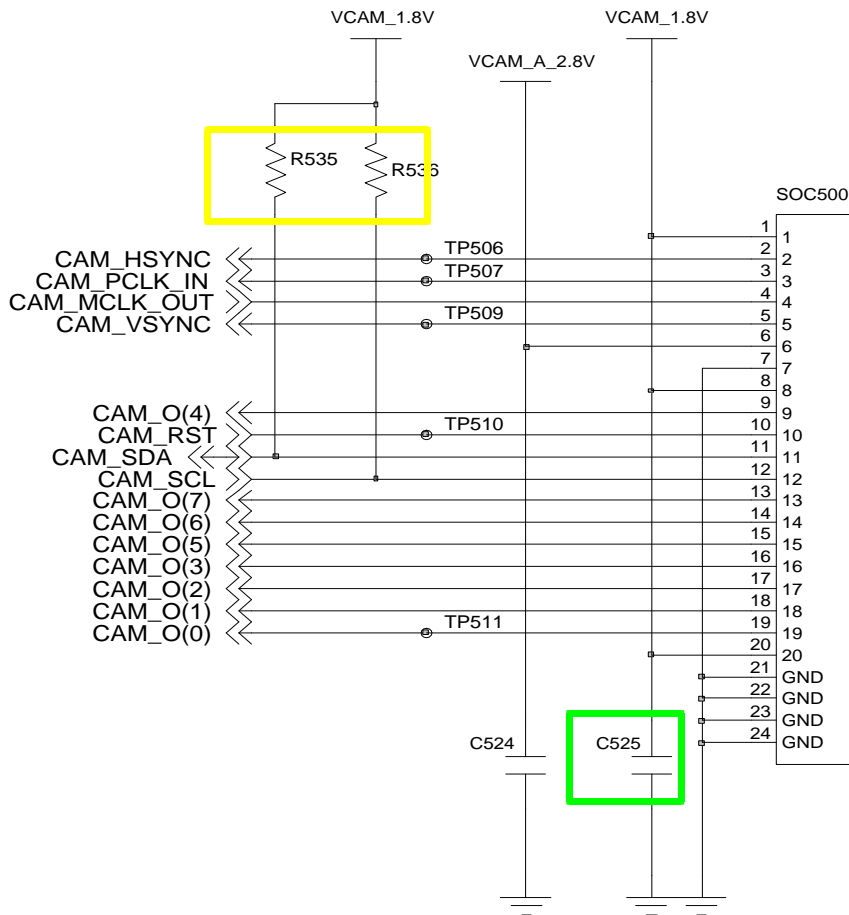
SD CON



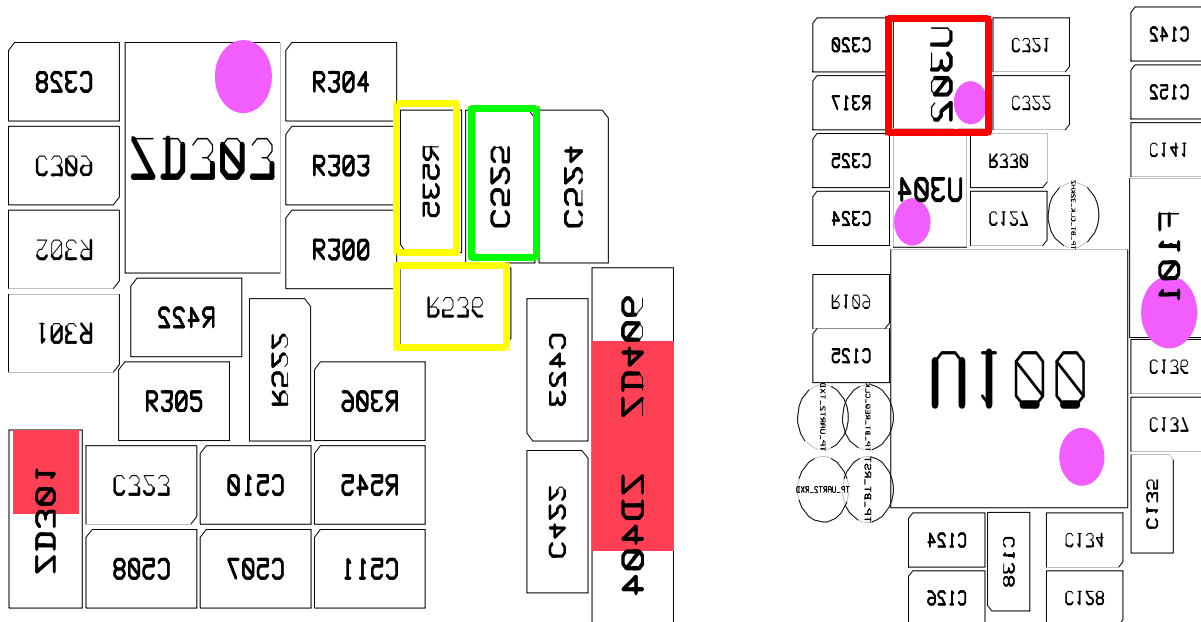
8-3-1-10. Camera Part



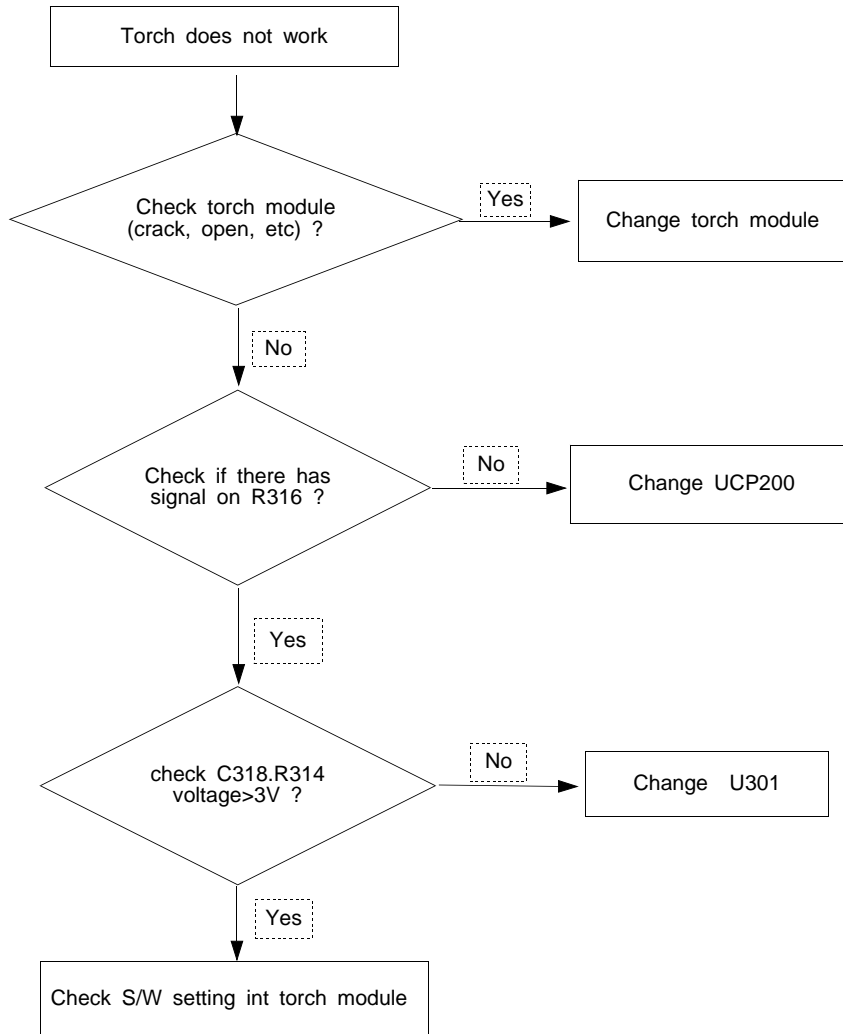
CAM LDO

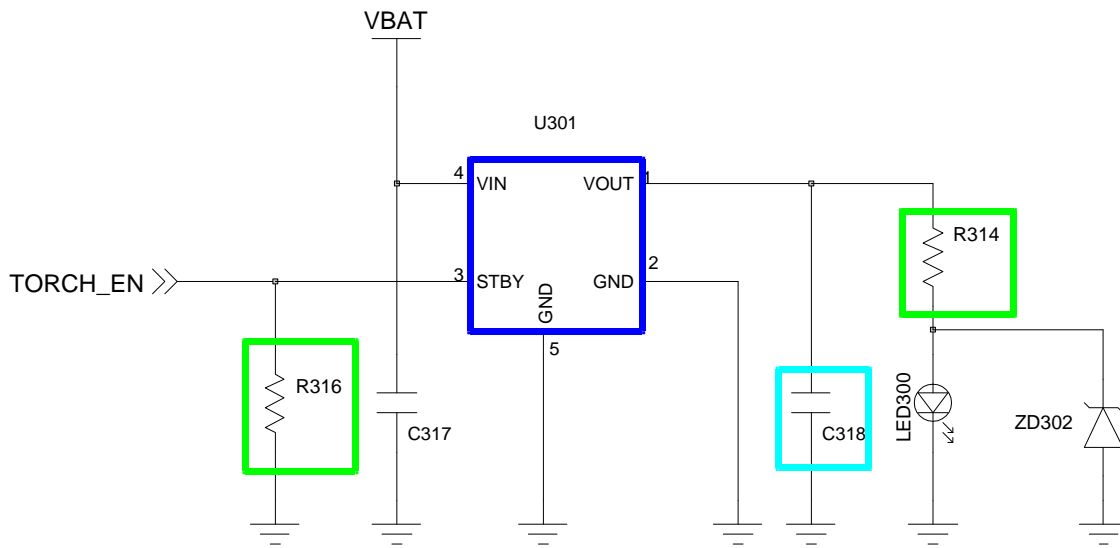


VGA CAM SOCKET

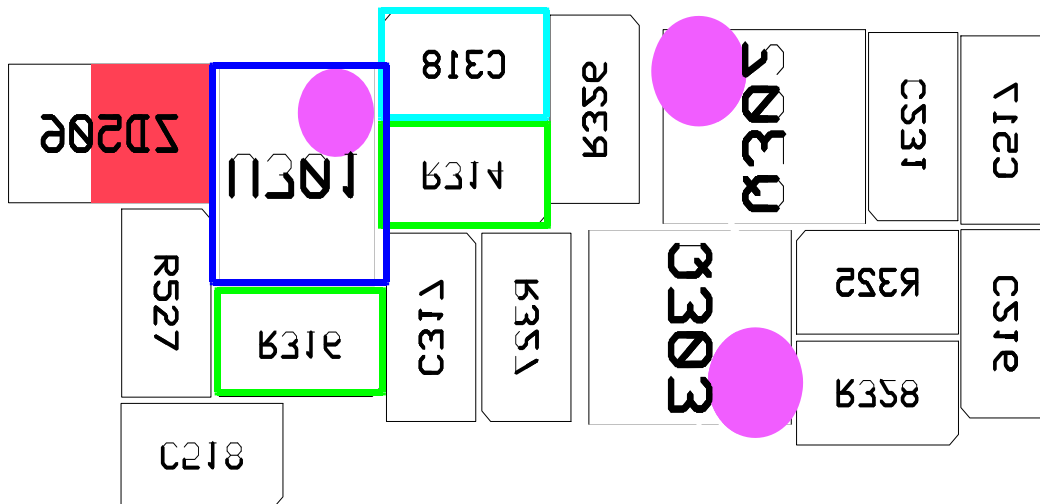


8-3-1-11. Torch Part



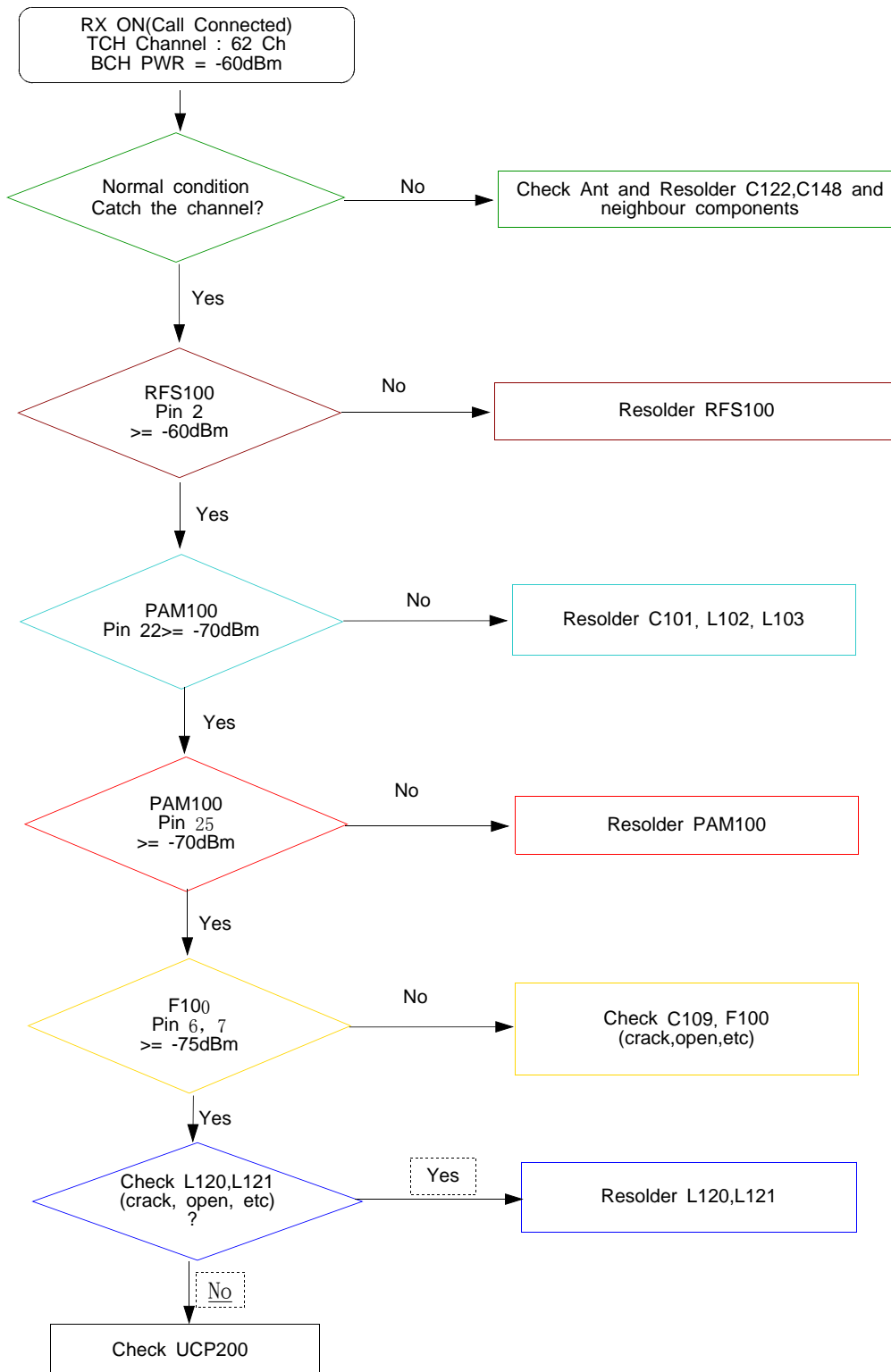


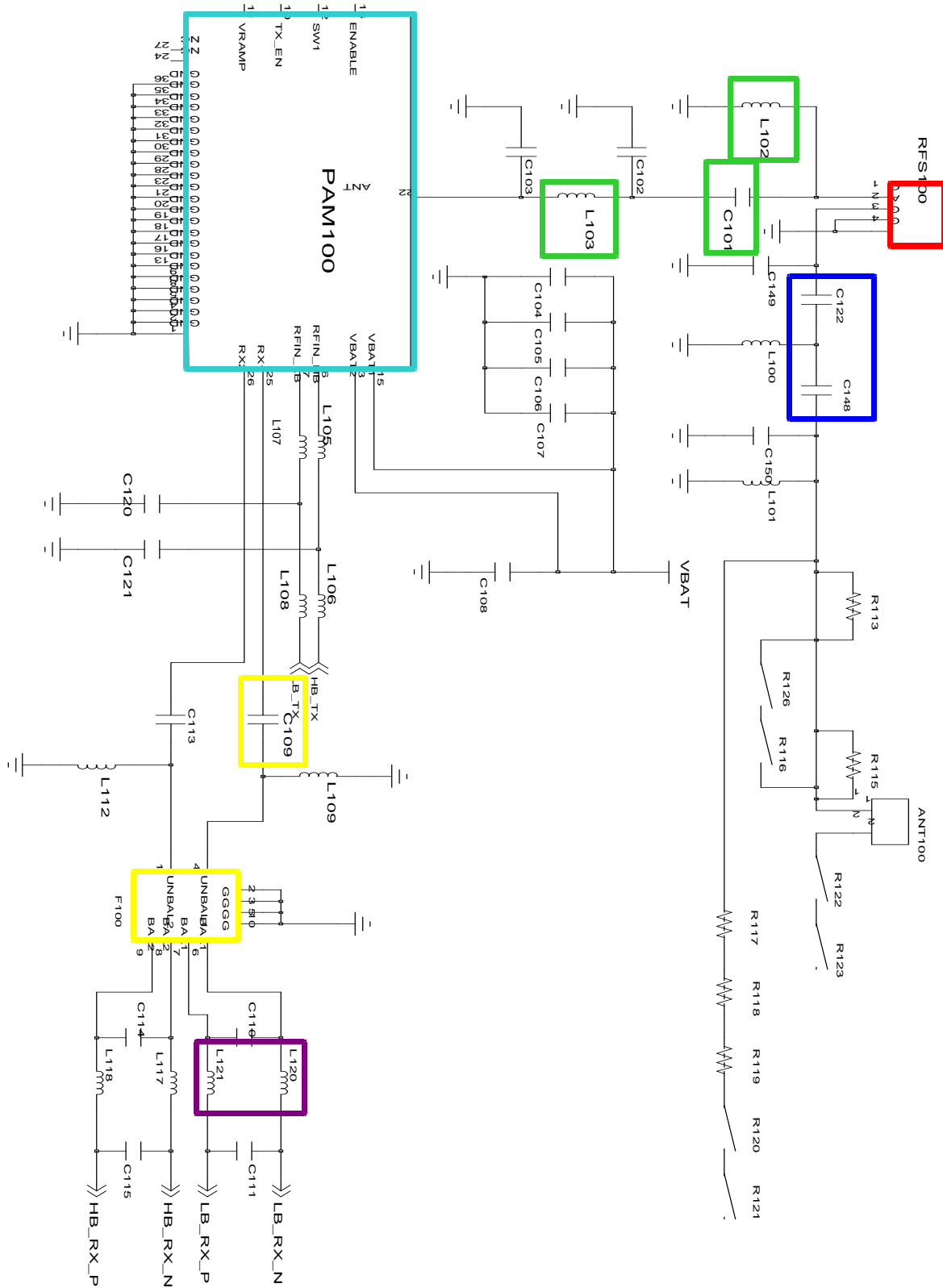
TORCH LDO

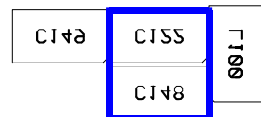
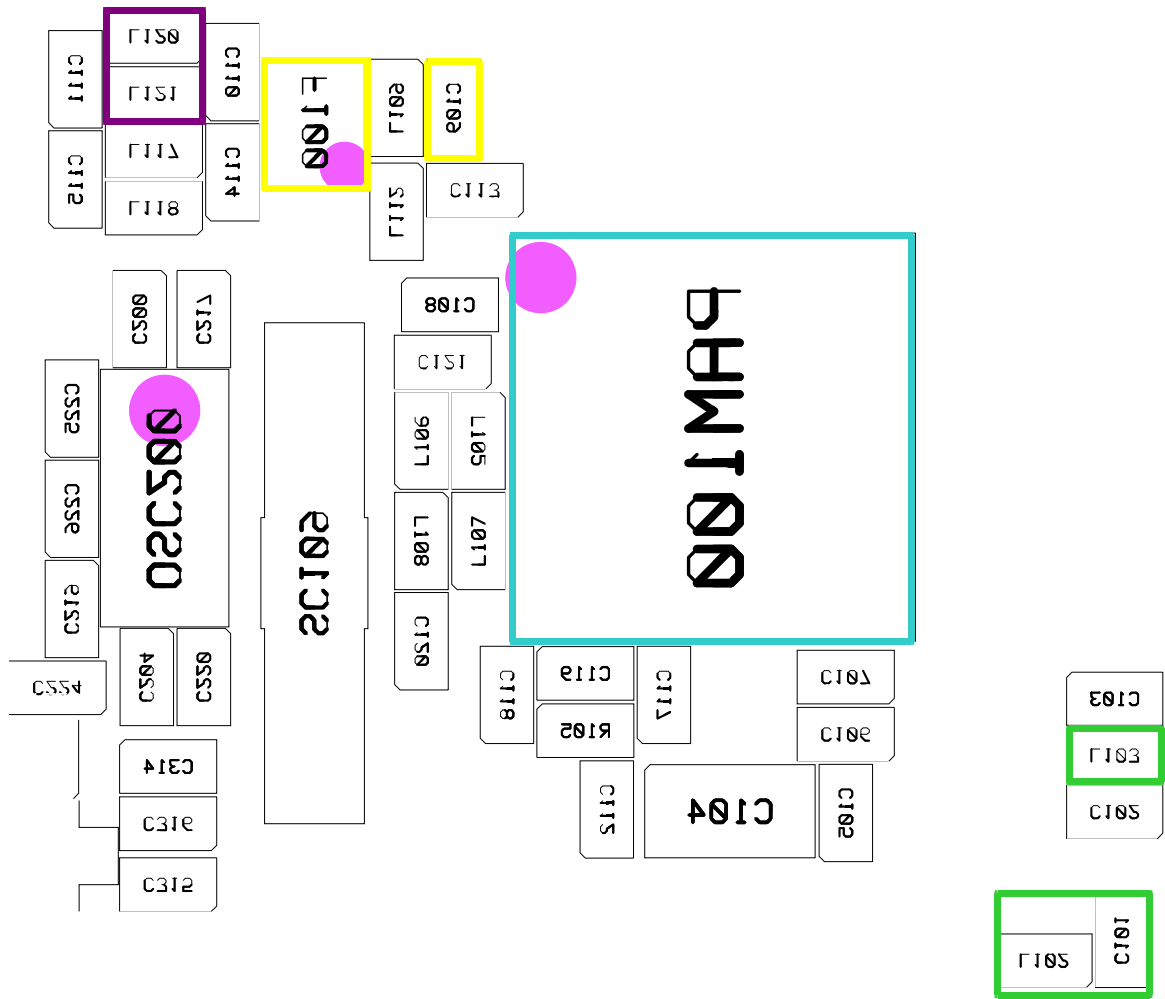


8-3-2. RF part

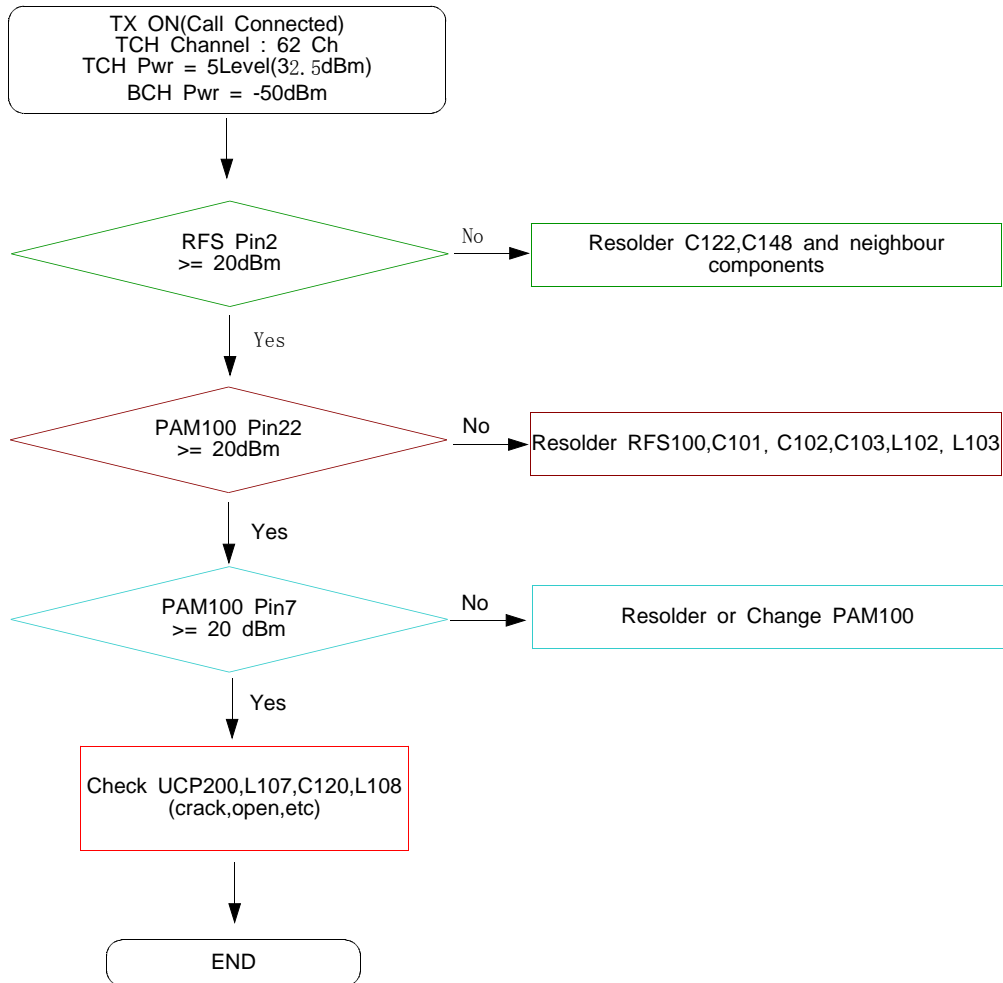
8-3-2-1. GSM900 Receiver

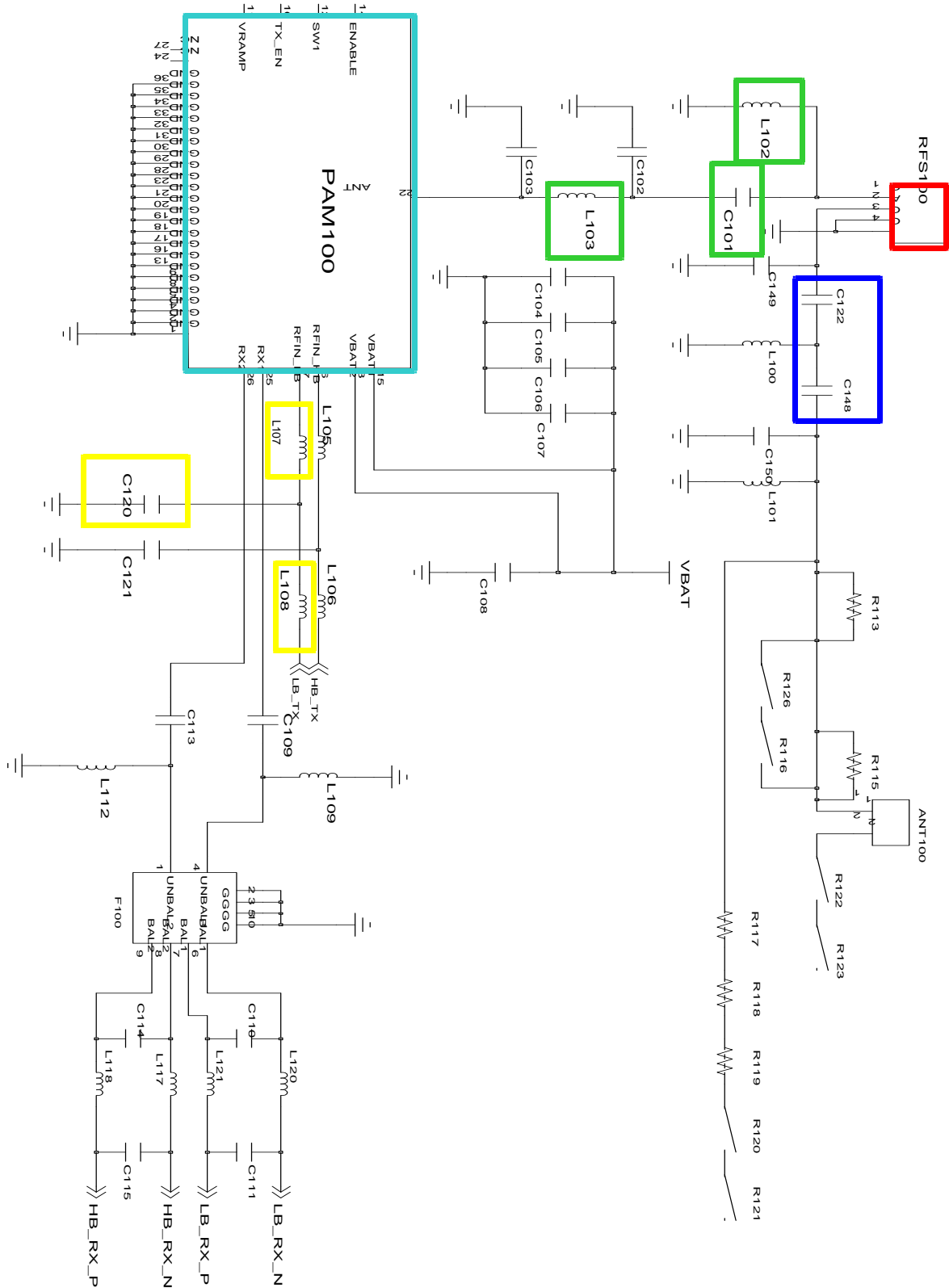


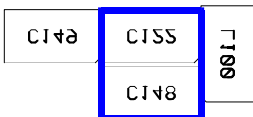
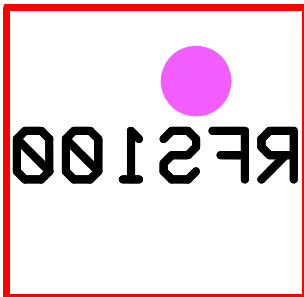
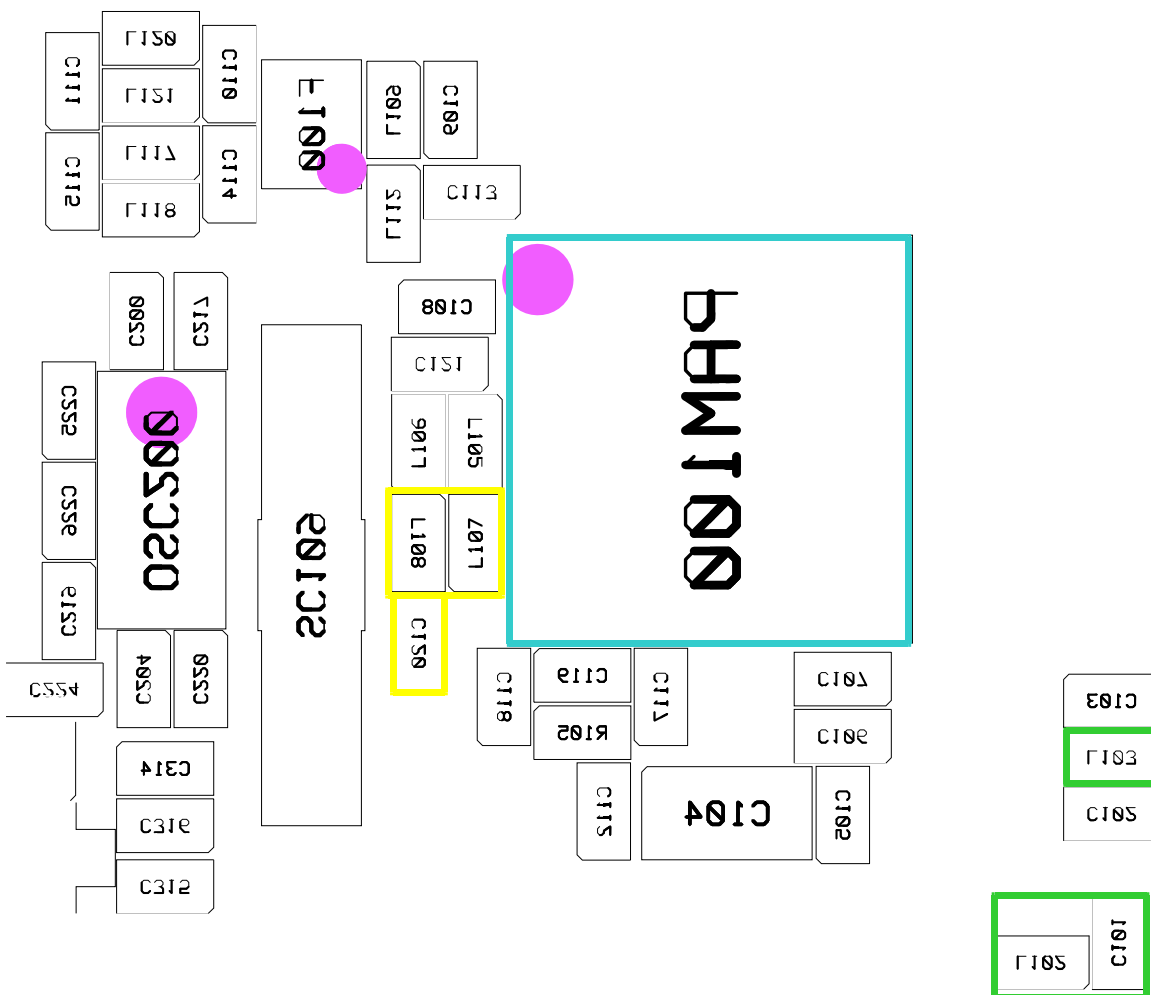




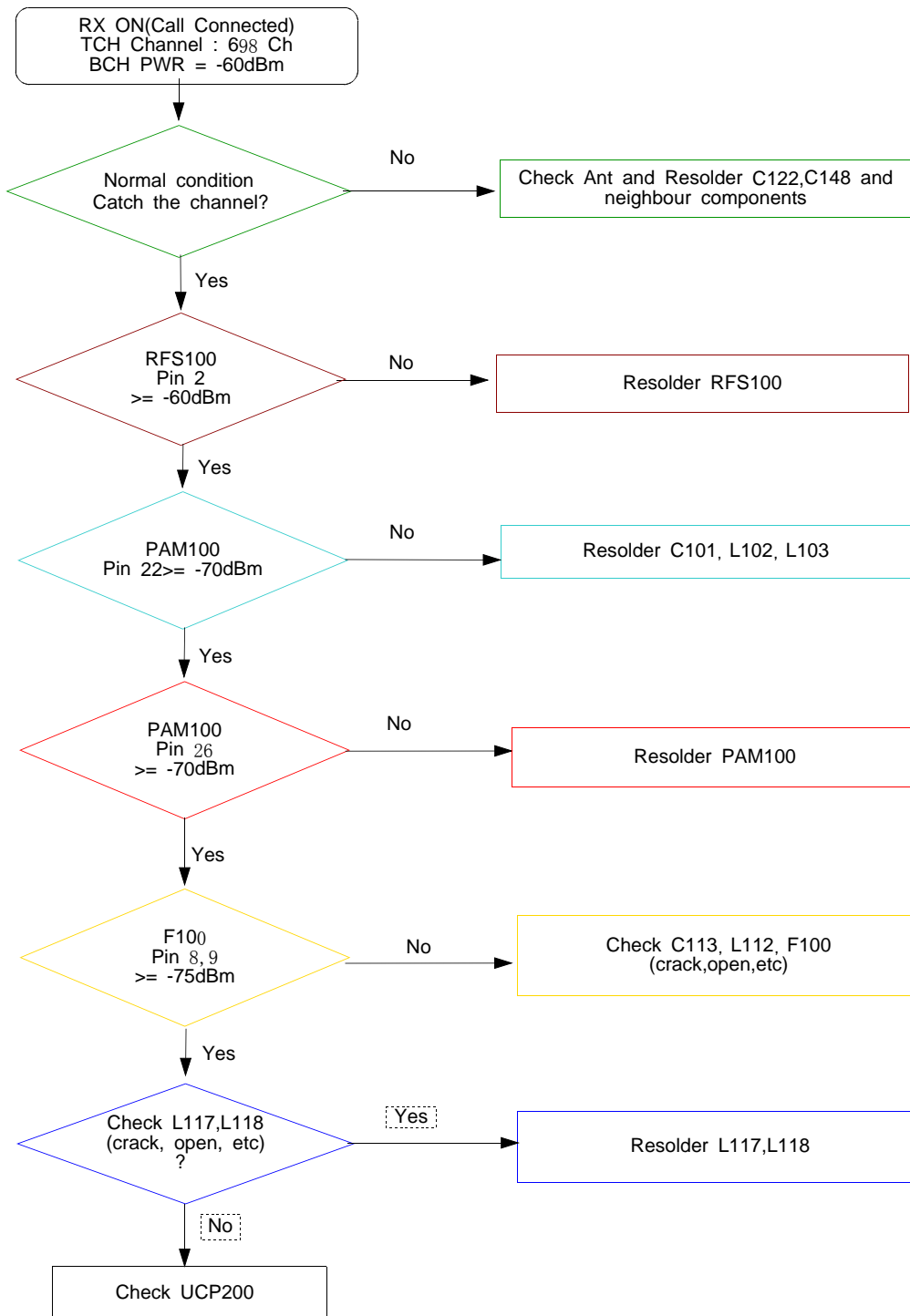
8-3-2-2. GSM900 Transmitter

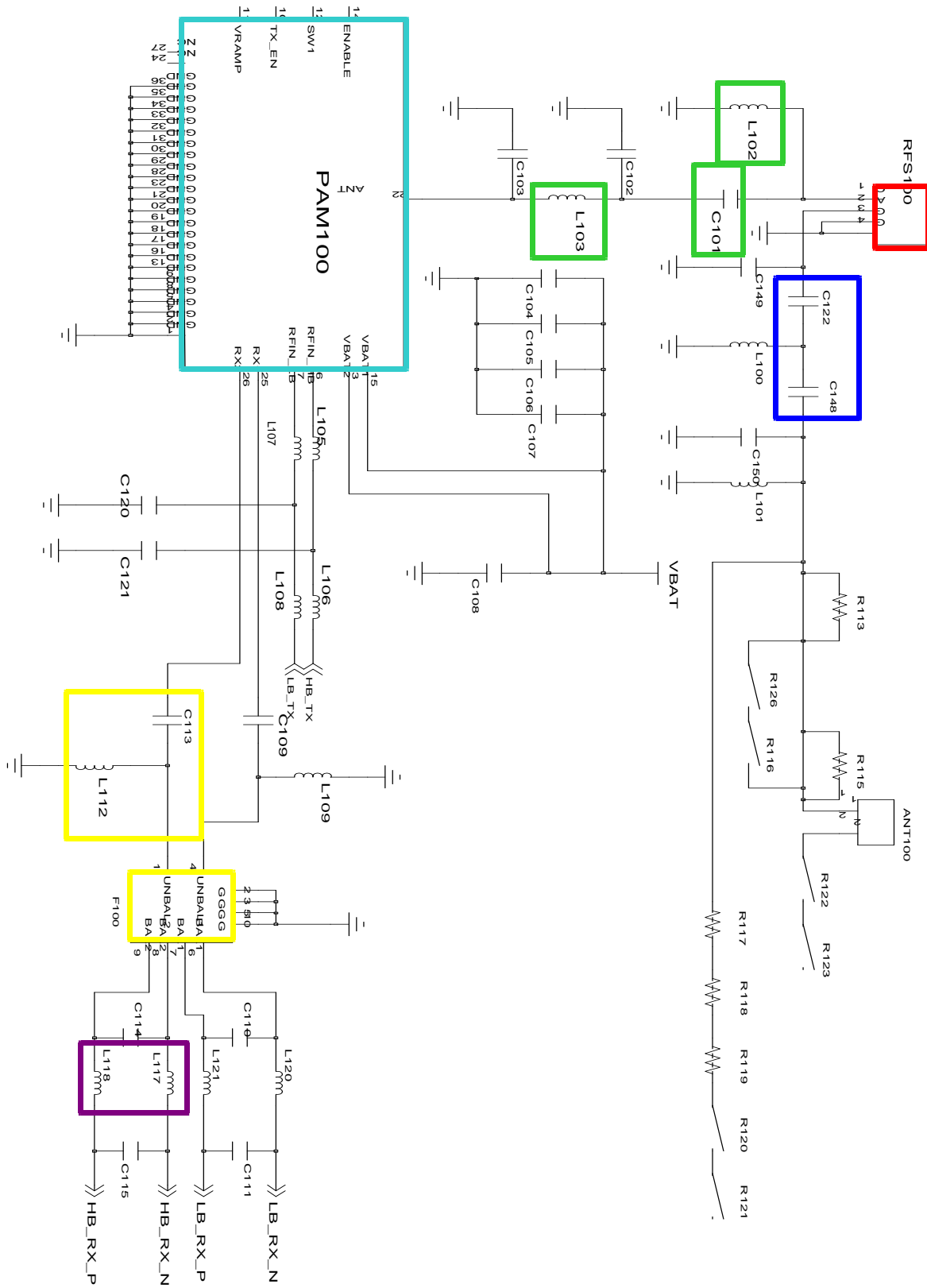


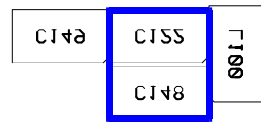
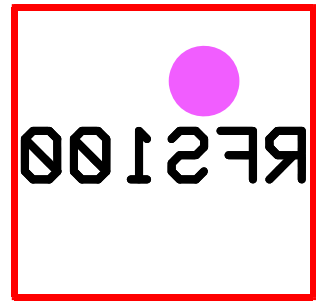
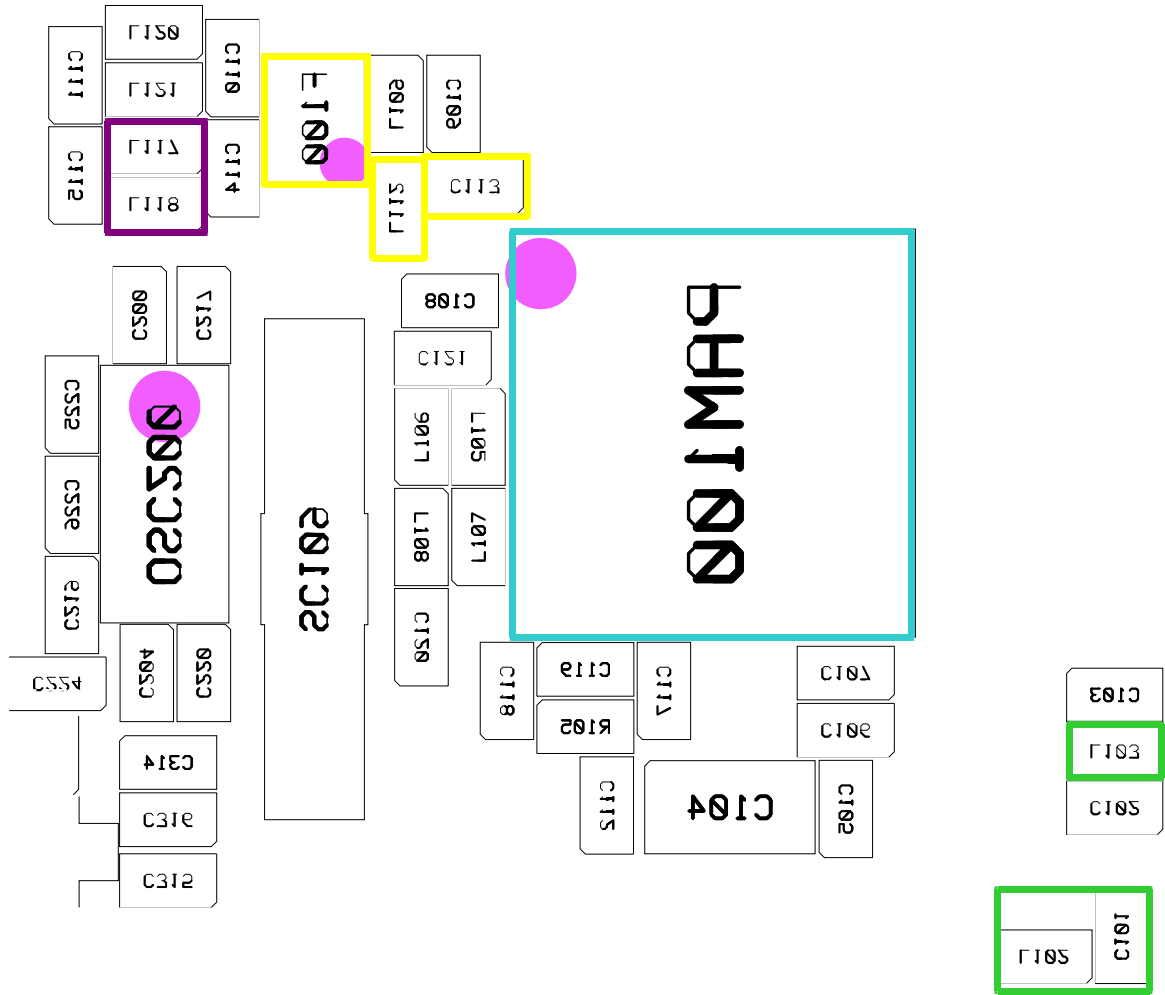




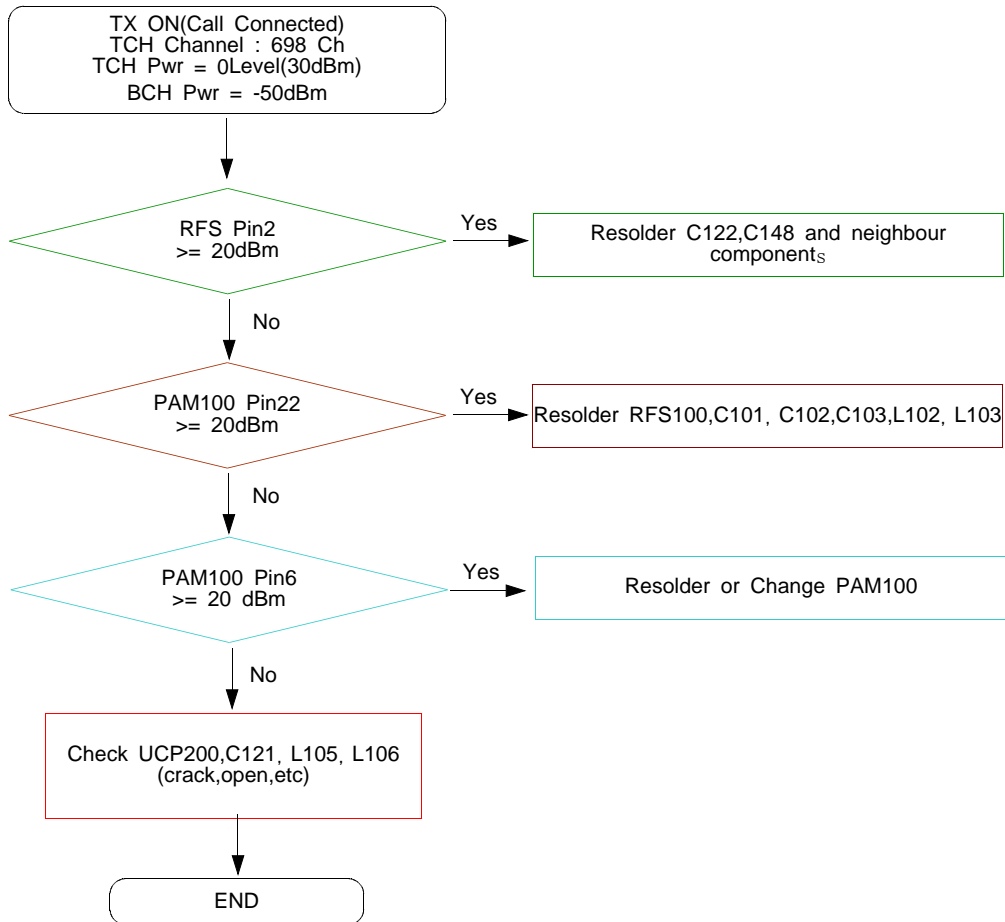
8-3-2-3. DCS Receiver

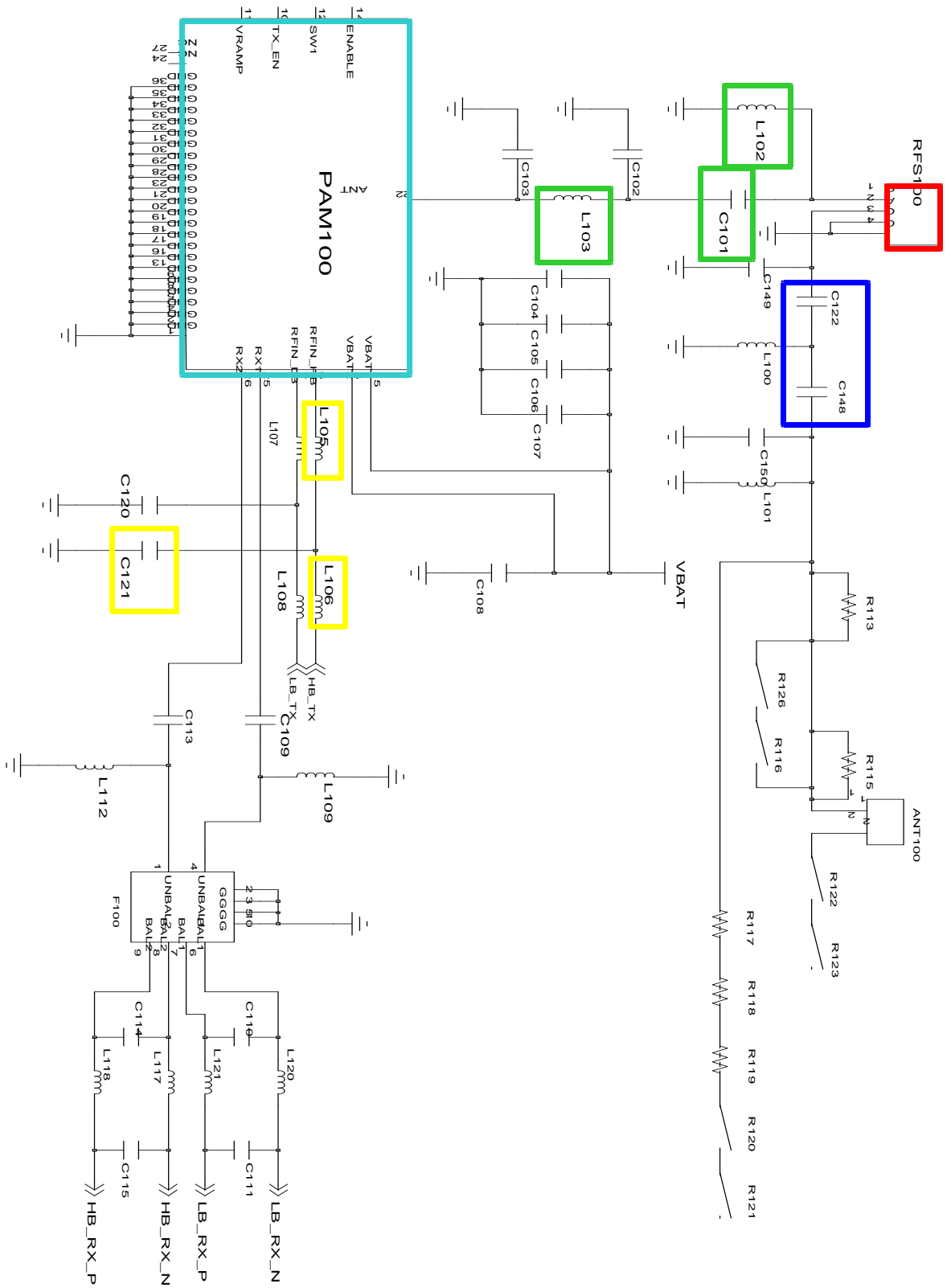


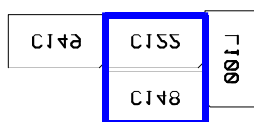
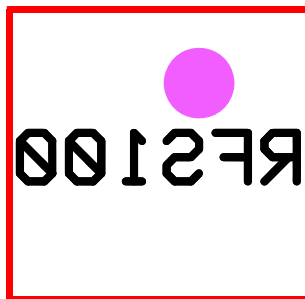
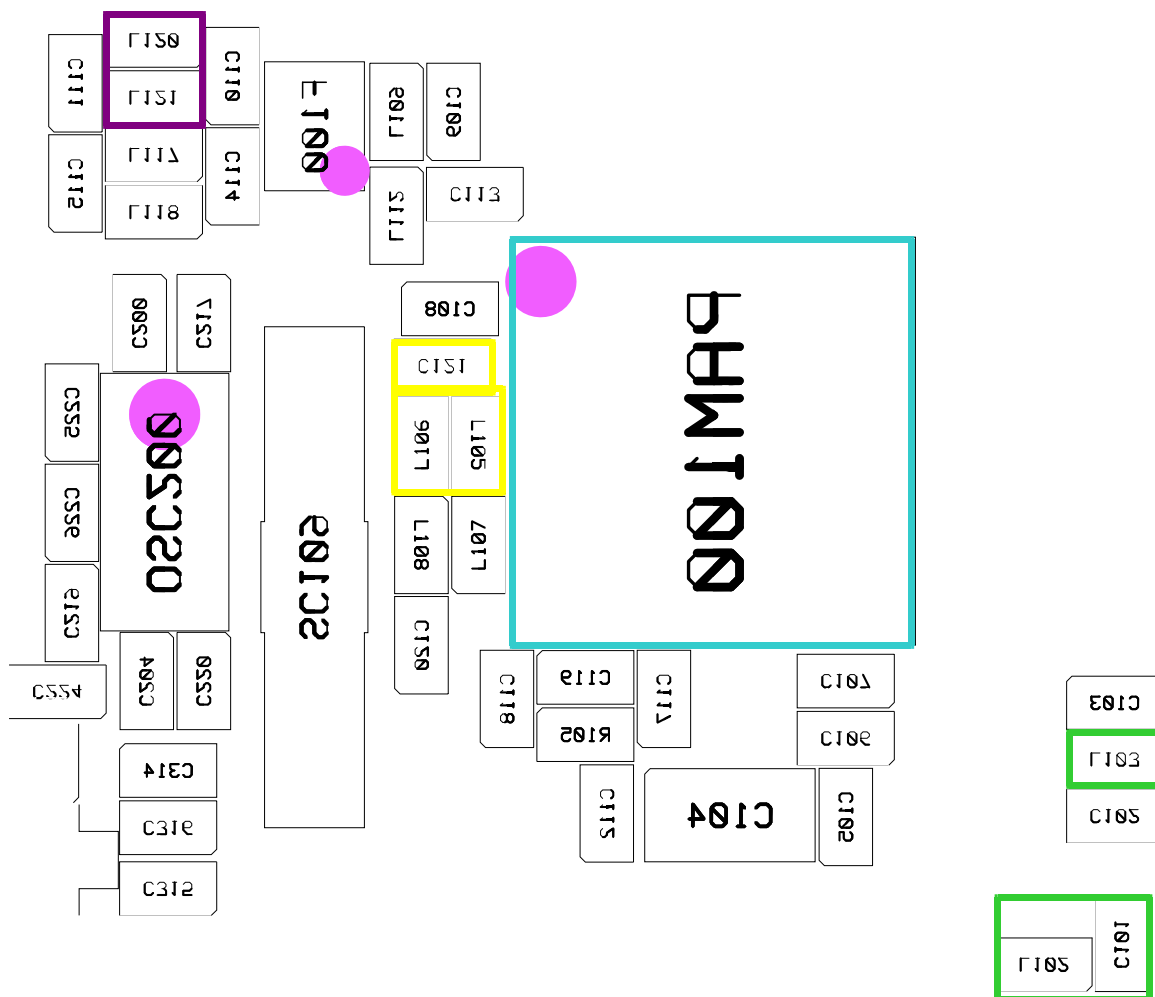




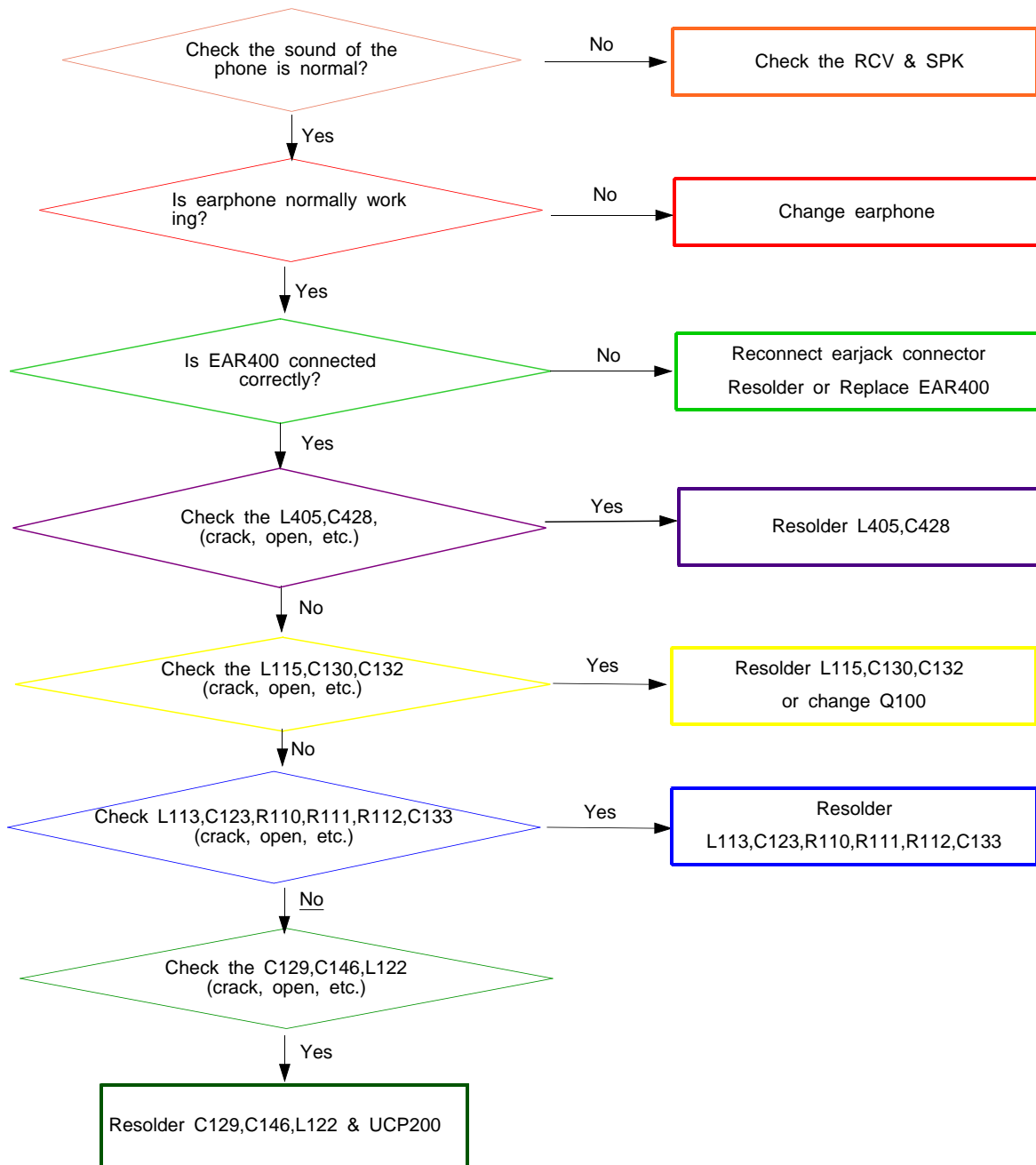
8-3-2-4. DCS Transmitter

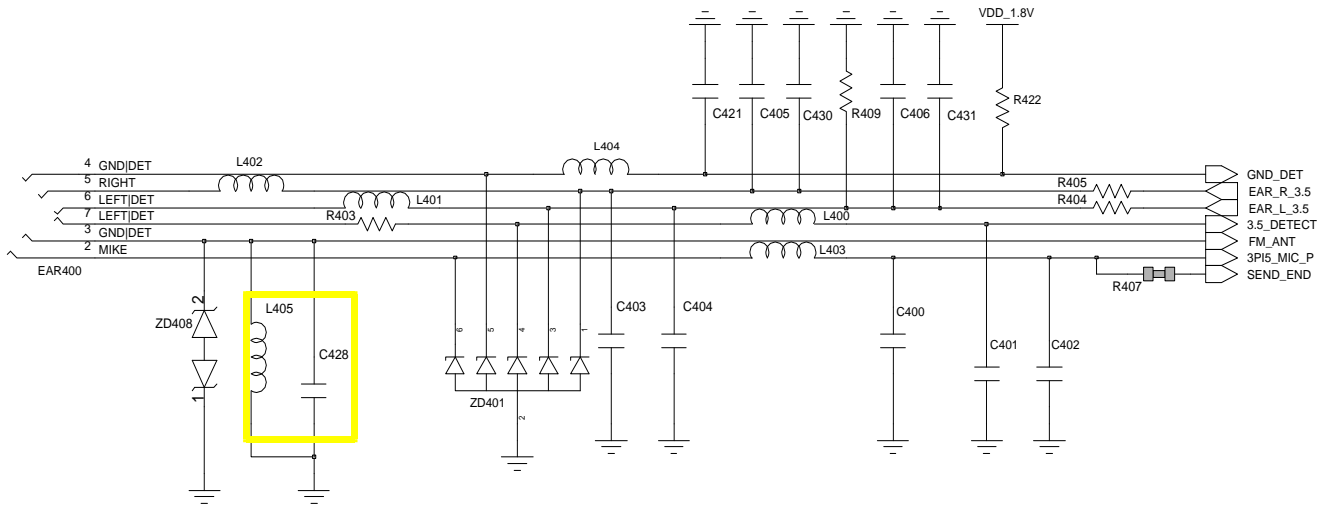




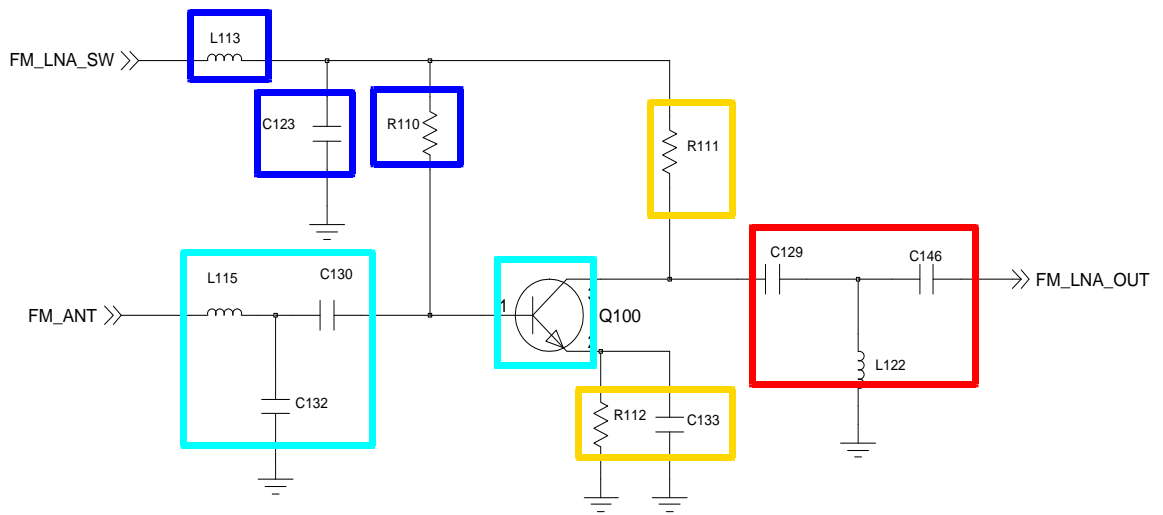


8-3-2-5. FM RADIO

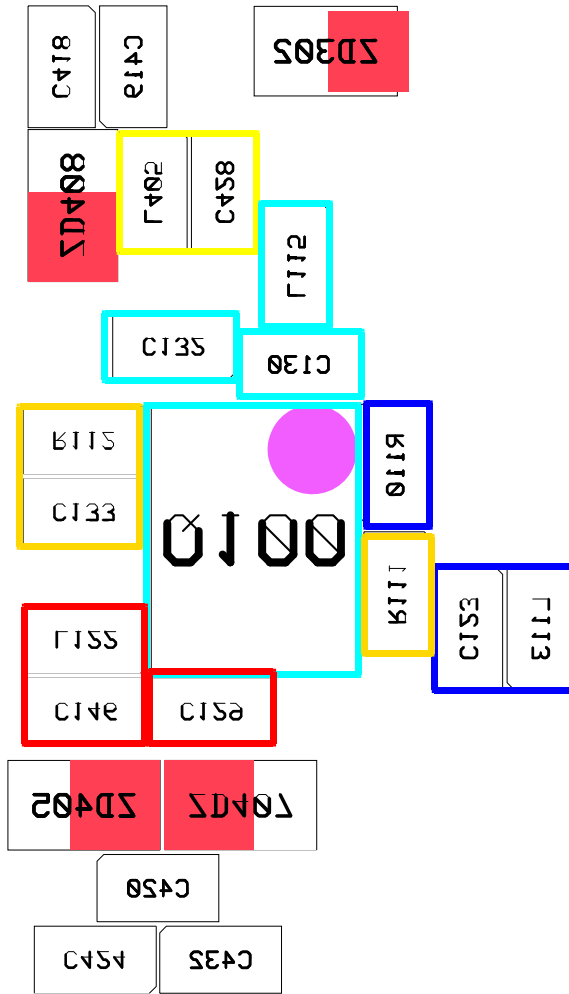




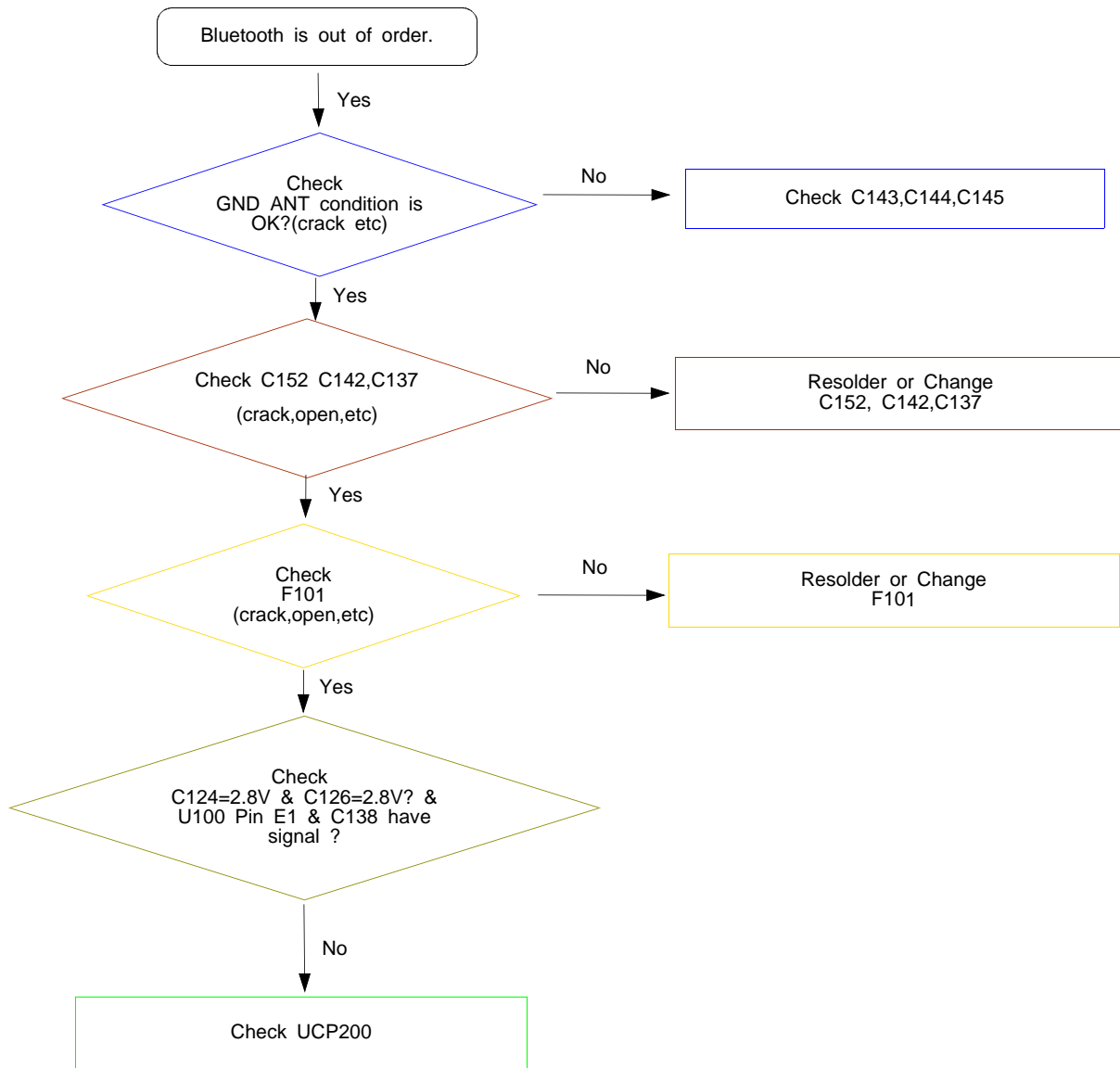
3.5 pi EAR JACK

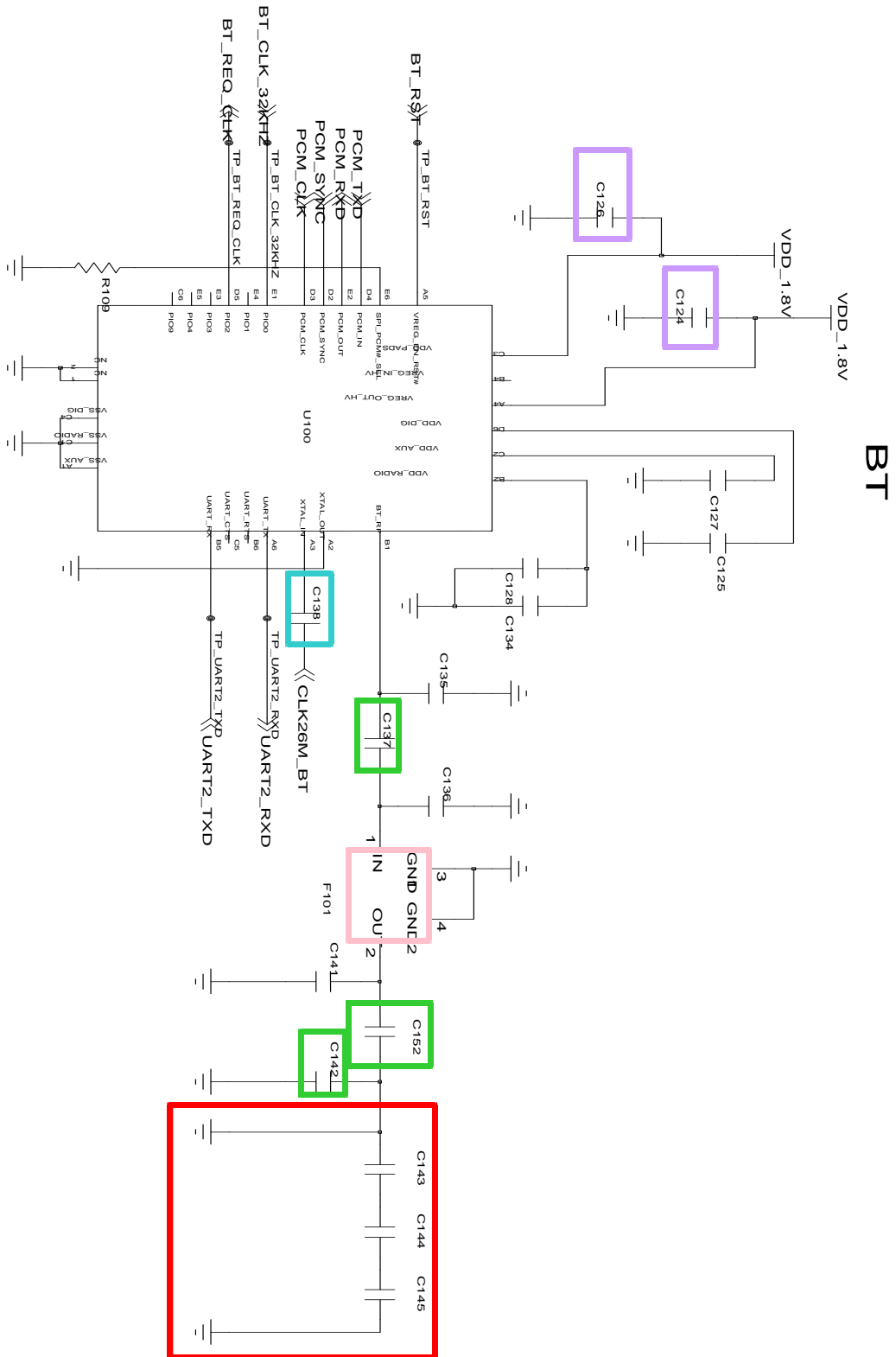


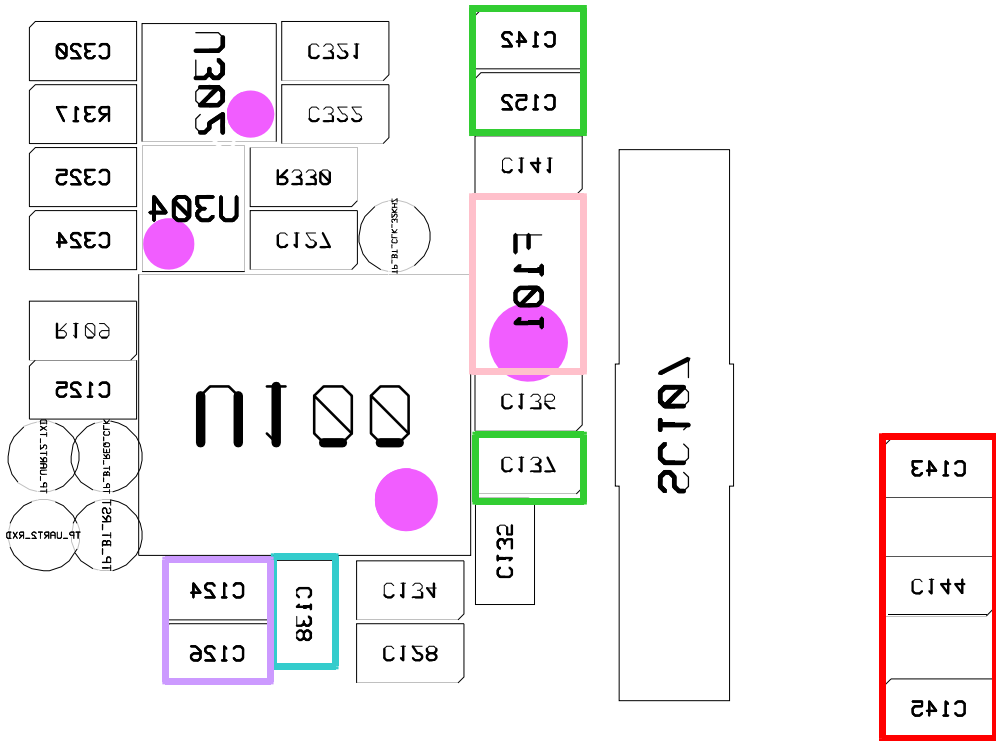
FMR_LNA



8-3-2-6. BLUETOOTH







NC Point(Top View)

● : NC

UCP200

	A	B	C	D	E	F	G	H	J	K	L	M	N	P	R	T		
16	NG	FE1	RX12X	RX12	RX4X	RX4	TS	TD	TRG_J_N	F32K	EP	LSN	VBASP	VDD1REG	NC2		16	
15	TX1	TX2	VSSRF			VSSLO		TRST_n	TDO	FSYS_EN	OSC32K	EPN	LSP	VSSLSR	CP2	CP1	15	
14	FE2	VDDTRX	VDET			VSSTRX	VBAT				VSSMS			VDD1V8CP	HSL	HSR	14	
13	VRAMP	PABS	PABIAS			VSSRX	VDDRF2	VDDMS	MON1		RESET_N			VUMIC	MICN2	MICP2	13	
12	VDDMMD	VDDTDC	PAEN		VSSDCO	VSSXO	VSSDIG	SWIF_TXRX	MON2	DMINUS			M0	VMIC	MICN1	MICP1	12	
11	XO	XOX			VDDXO	FSYS2	FSYS1	DIGuP1	DIGuP_CLK	DPLUS		FMRINX	VDD_FMR	AGND	M2	M1	11	
10	KP_IN1	KP_IN2	KP_IN3	KP_IN4	KP_IN5	KP_OUT5	DIG_P2	VRF1	VDD1V8	LEDFP	VRC	RNR_N	VRMU	VD	VEF		10	
9	KP_IN0	KP_OUT1	KP_OUT2	KP_OUT0	KP_OUT3	VDIPS	VDD01	VSS0E2	VSS0E3	LEDRV	VUSE		ANAM0	ONOFF	VSSPMU		9	
8	I2S1_RX	I2S1_TX	I2S1_W0	I2S1_CLK0	OF_D7	VSS0E1	VDD0E	USIF2_TD_MSR	USIF2_CTS_n	VORE	LEDFB	VSM	VBATPMU	VAL	VSSVIE	VIB	8	
7	CIF_DB	OF_D4	CIF_D6		OF_VSYNC	OF_SYNC	OF_FD	USIF2_RTS_n	USIF2_RD_MST	VDD02	MM0	CS		VDDSD1	SDISM	VSSSD1	7	
6	CIF_ID	OF_D1	CIF_D5		CIF_RESE	CLKOUT2	OF_FLK	MM0_DAT1	WAIT_n		VSHNT	SENSEN	SENSEP			CSB	SD1_FB	6
5	I2C_SDA	I2C_SCL	CIF_D2				MMCL_DAT2			MMCL_DAT3					A/D13	VDD0EJ	VCH6	5
4	CLKOUT0	T2IN	MON8	DF_RD		DF_CS1	CCRST	A19	A17	CS0_n	A/D9		A24	A20	WR_n	VDD0IG	4	
3	USIF1_RTS_n	USIF1_RD_MST	DF_VR	DF_DB	DF_CD	DF_D7	CCO	MM0_DAT0	A22	A/D0	A/D11	CS1_n	A/D4	A/D15	ADVn	A23	3	
2	USIF1_TD_MSR	USIF1_CTS_n	DF_D4	DF_RESE	DF_DB	DF_D2	CCCLK	MM0_CLK	A18	A/D1	A/D10	A/D5	A/D12	A/D7	A21	ECLK0	2	
1	NG	DF_D6	DF_D5	DF_D1	DF_D0	DF_D3	DF_VD	MM0_D0	RD_n	A/D8	A/D2	A/D3	A/D6	A/D14	A16	NC4	1	
	A	B	C	D	E	F	G	H	J	K	L	M	N	P	R	T		

U200

	123		4	5678				9	10	11	12	13	14
A	NC												NC
B													
C			NC	DNU			/LBc	/UBc			A24r	NC	
D			RDYr /WAITc	A21rc	VSSrc	CLKrc	VCCrc	/WErc	VPPr	A19rc	A17rc	A22rc	
E			VCCQrc	A16rc	A20rc	/AVDrc	A23r	/RESETrc	/WPr	A18rc	/CEr	VSSQrc	
F			VSSrc	ADQ7rc	ADQ6rc	ADQ13rc	ADQ12rc	ADQ3rc	ADQ2rc	ADQ9rc	ADQ8rc	/OErc	
G			ADQ15rc	ADQ14rc	VSSQrc	ADQ5rc	ADQ4rc	ADQ11rc	ADQ10rc	VCCQrc	ADQ1rc	ADQ0rc	
H			NC	VCCrc			/CSc	CREc			DNU	NC	
J													
K	NC												NC